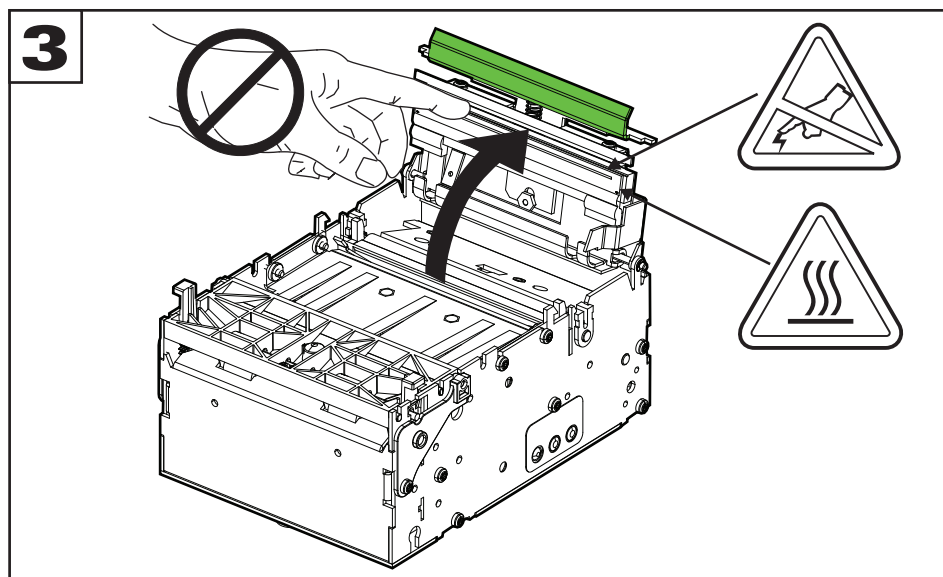
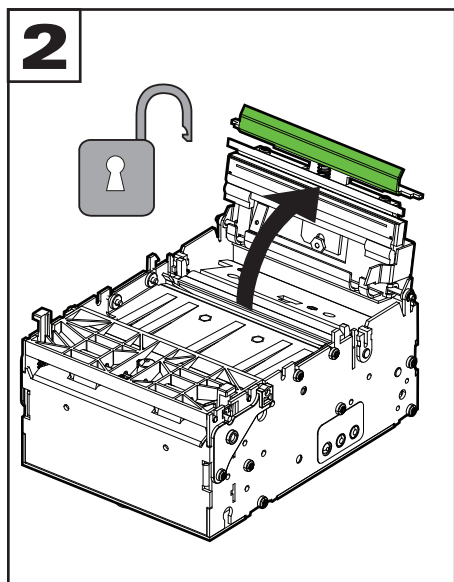
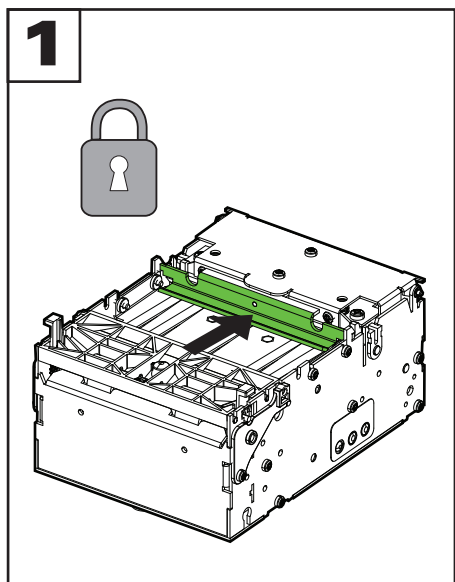


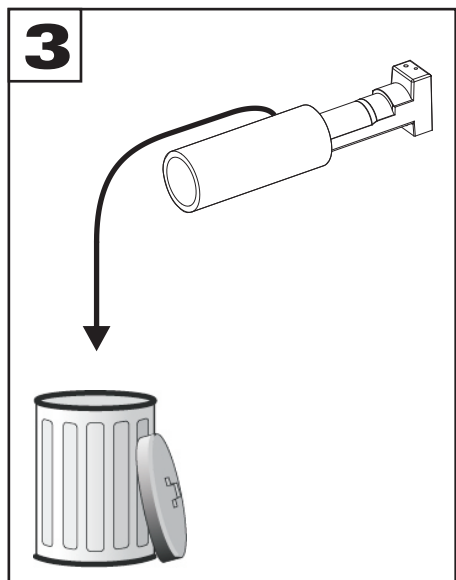
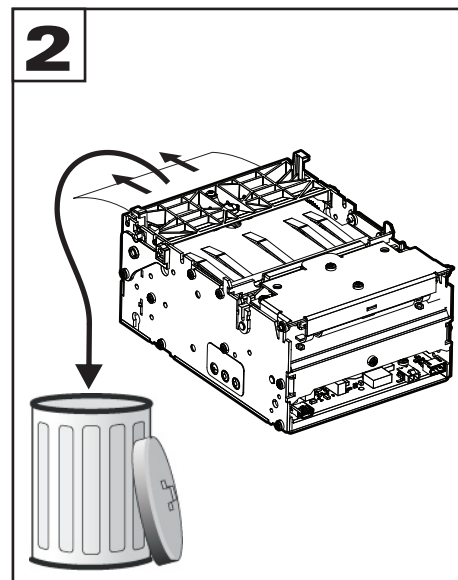
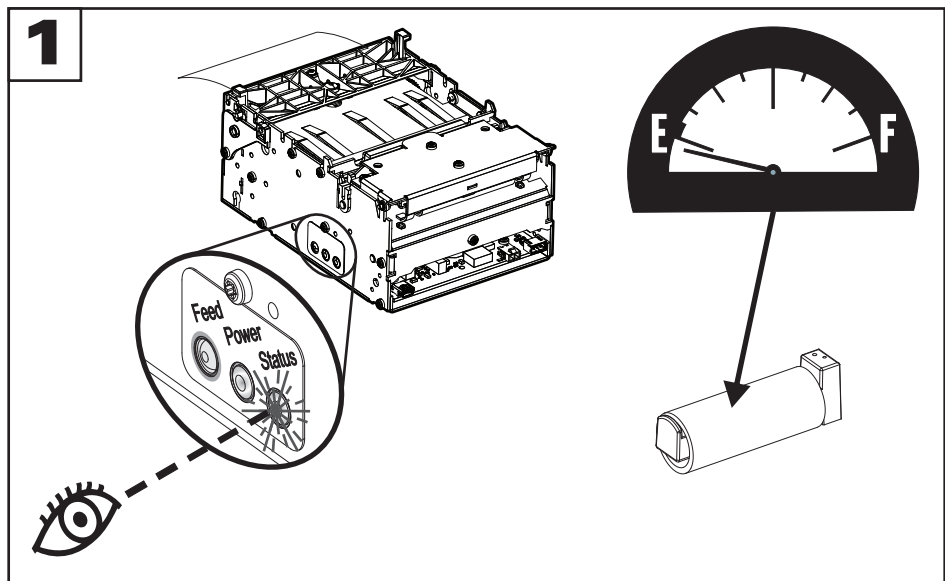
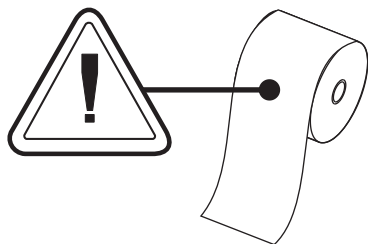
Zebra® KR203

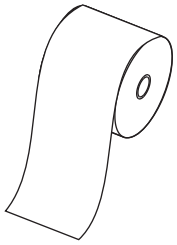


©2010 ZIH Corp.

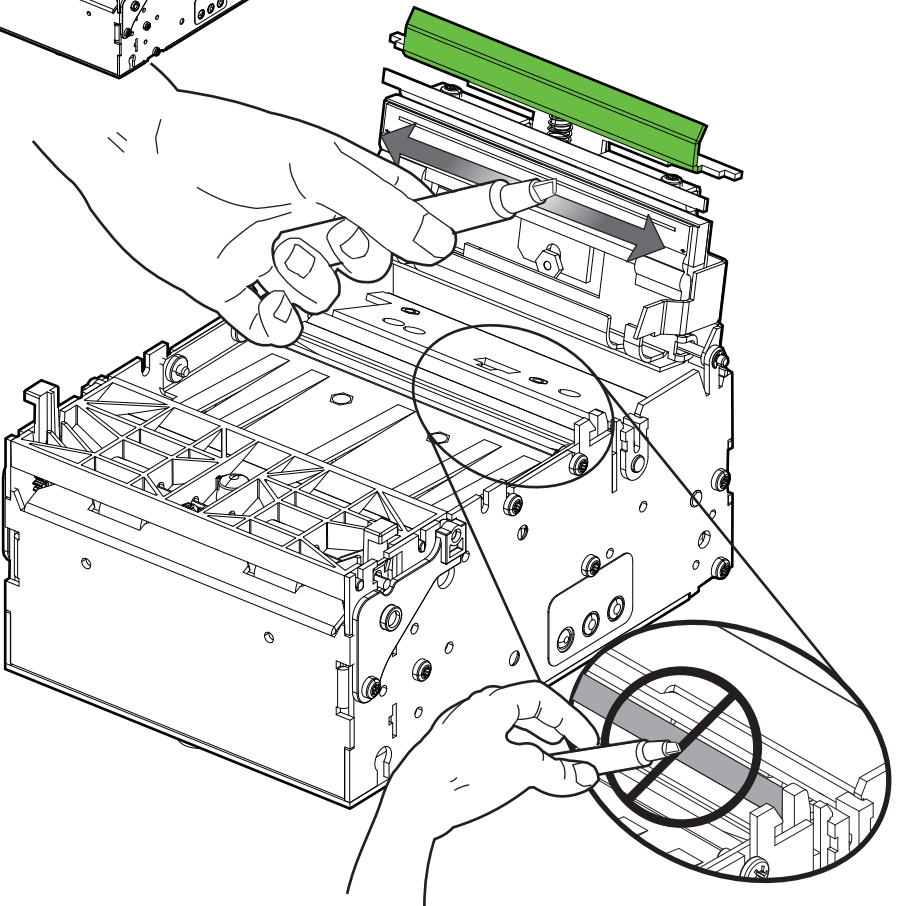
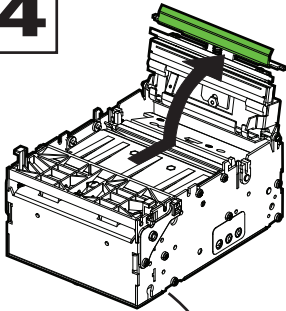
P1028250-001 Rev. A

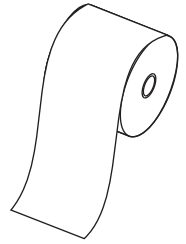




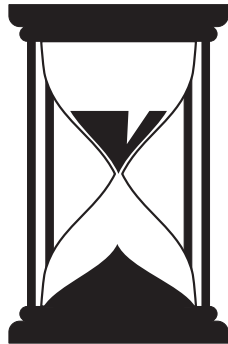


4

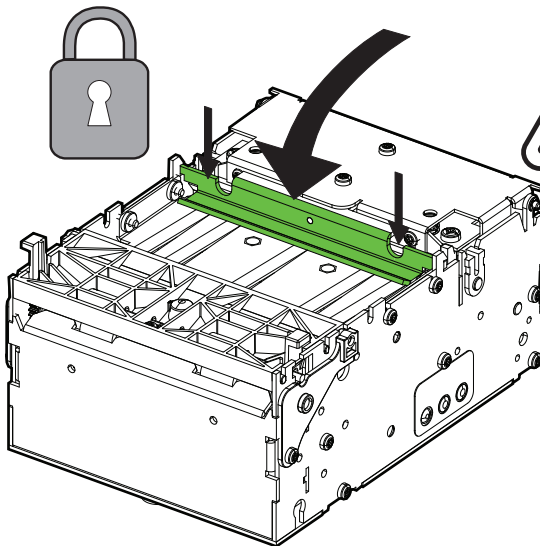


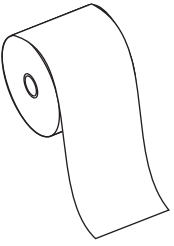


5

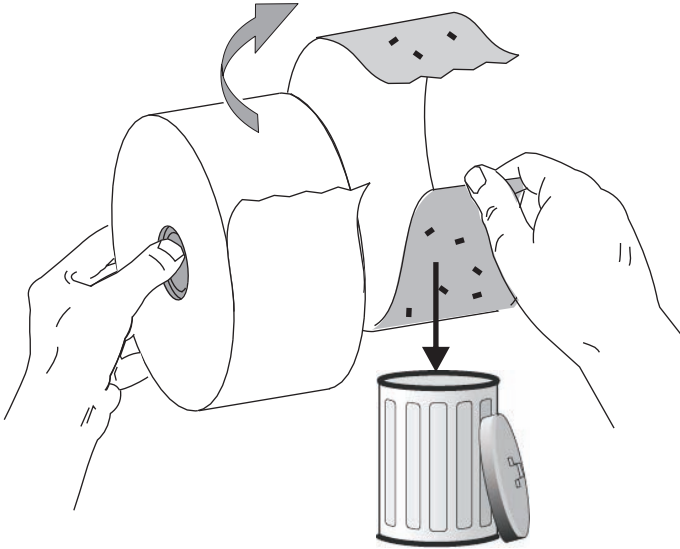


6

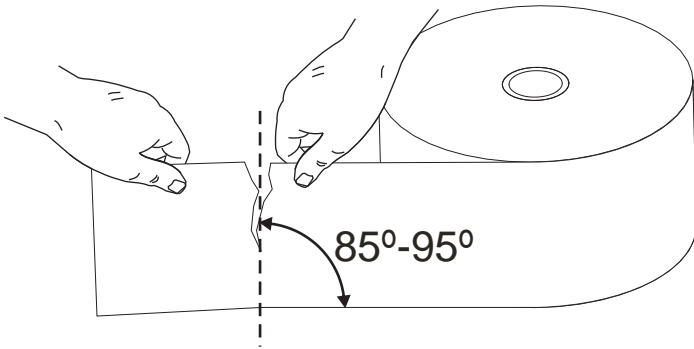


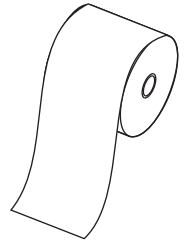


7

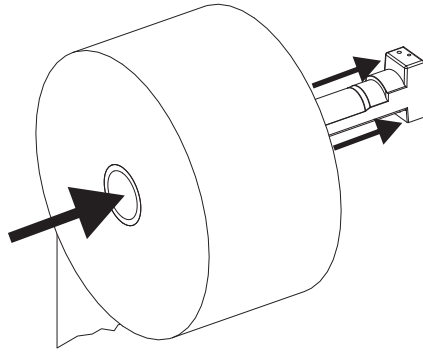
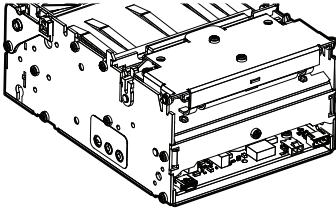


8

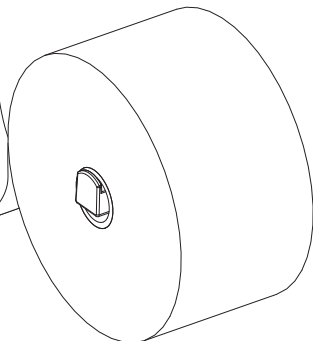
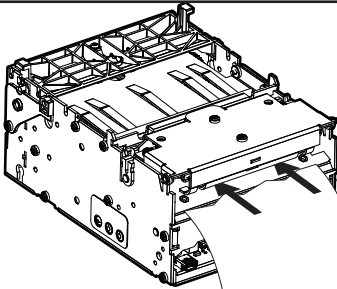


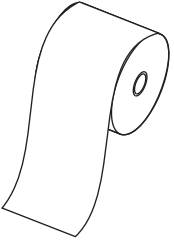


9

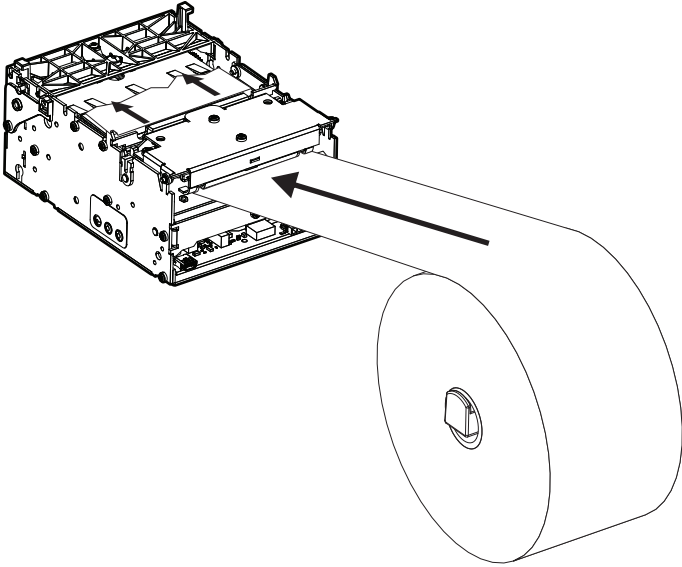


10

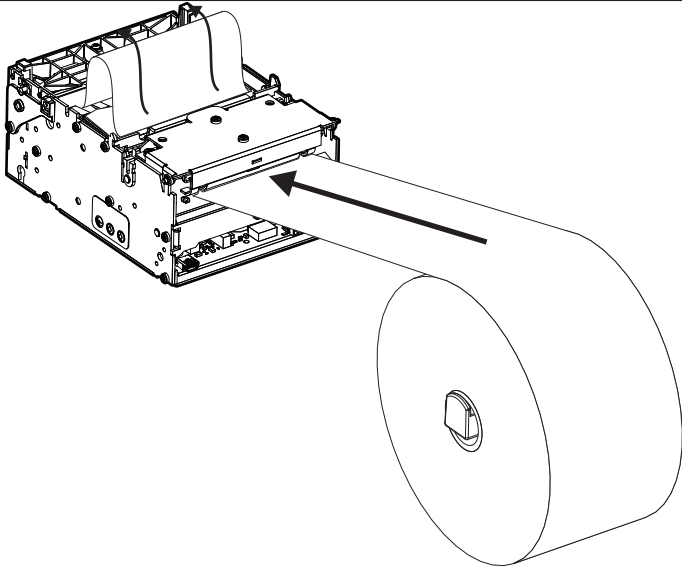


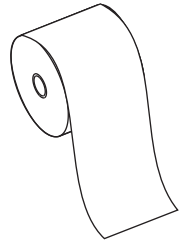


11

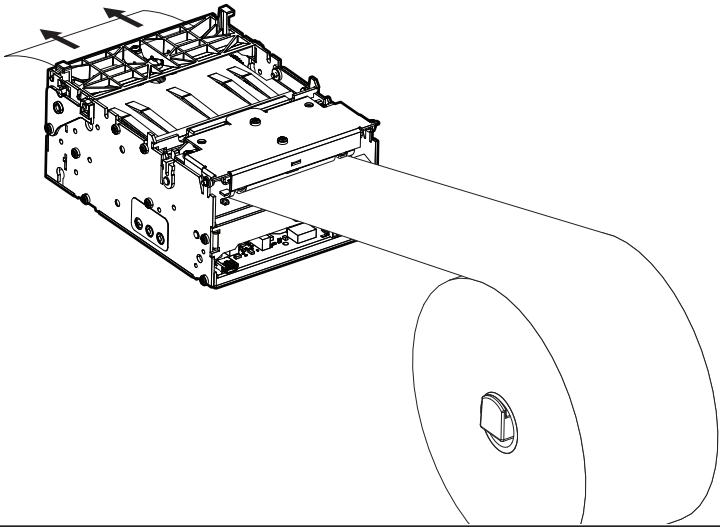


12

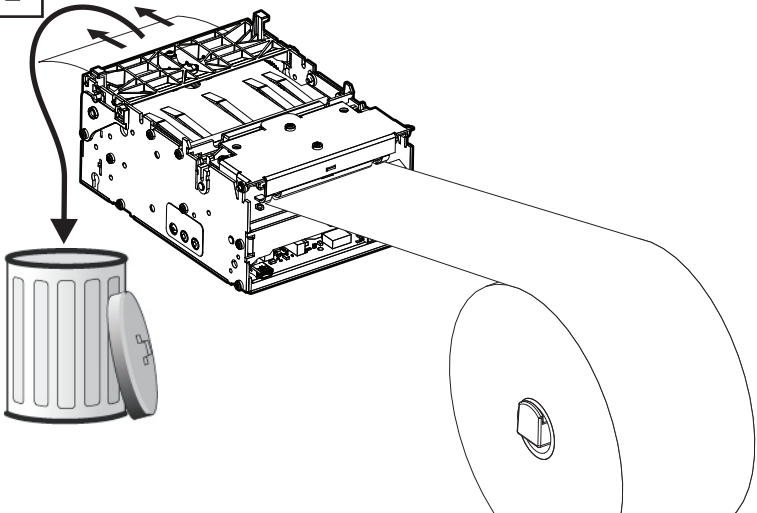


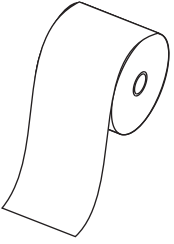


13

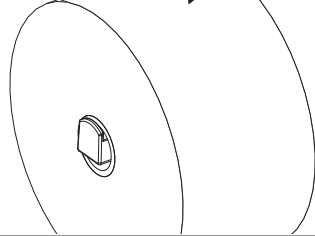
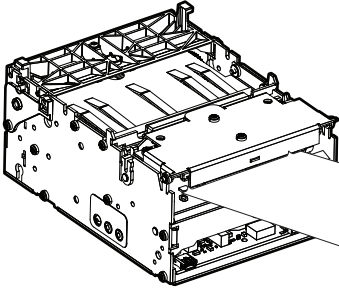


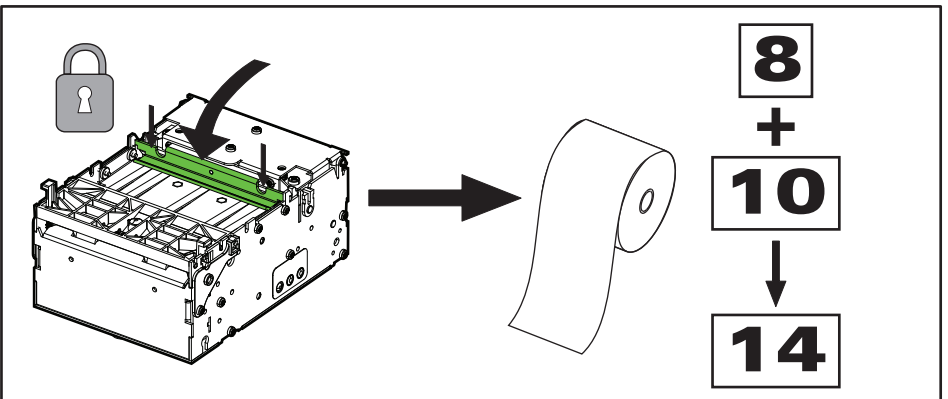
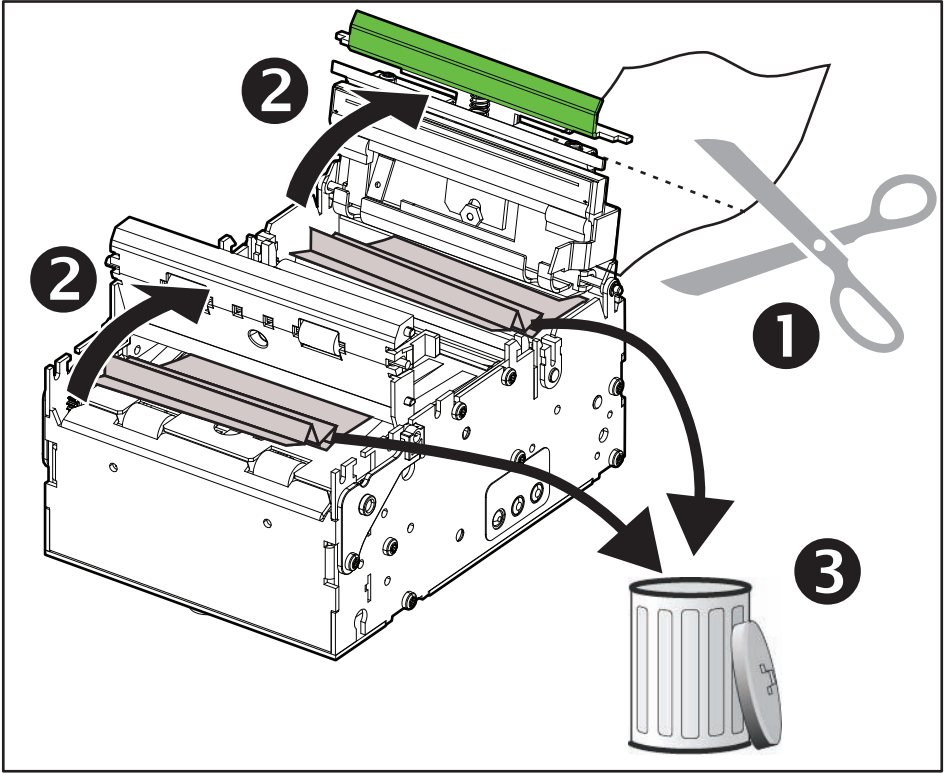
14





15







Zebra Technologies International, LLC

333 Corporate Woods Parkway
Vernon Hills, Illinois 60061.3109 U.S.A.
Telephone +1 847.793.2600
Toll-free +1 800.432.0422
Facsimile +1 847.913.8766



Zebra Technologies Europe Limited

Dukes Meadow
Millboard Road
Bourne End
Buckinghamshire SL8 5XF, UK
Telephone +44 (0)1628 556000
Facsimile +44 (0)1628 556001



Zebra Technologies Asia/Pacific, Pte. Ltd.

120 Robinson Road
#06-01 Parakou Building
Singapore 068913
Telephone +65 6858 0722
Facsimile +65 6885 0838



P1028250-001