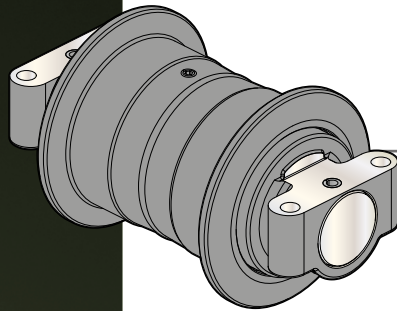


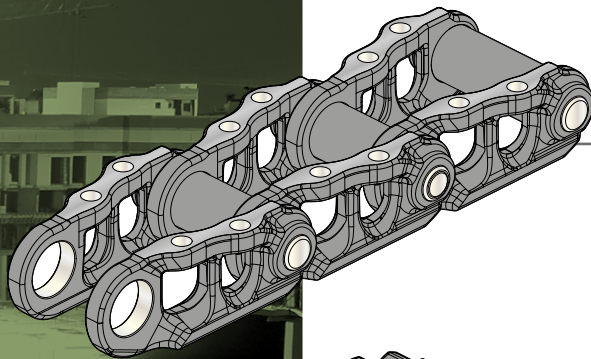
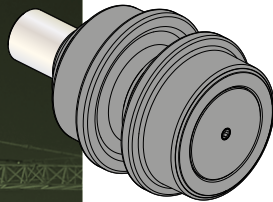


UNDERCARRIAGE COMPONENTS FOR CONSTRUCTION EXCAVATORS

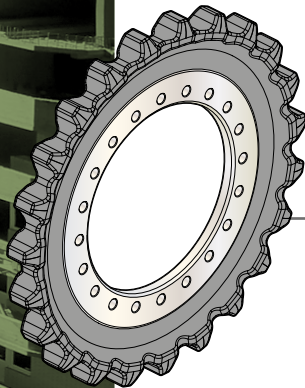




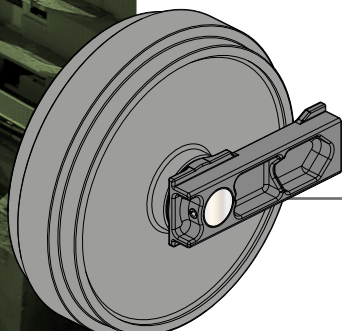
**TRACK ROLLER
CARRIER ROLLER**



**TRACK GROUP
TRACK CHAIN**



SPROCKET



IDLER

ITM is a worldwide leader specialising in the design, development and manufacture of undercarriage components and systems for earthmoving, construction, mining, agricultural crawler machines as well as specialised non-standard applications.

In response to the increasing demand for machines suitable to meet every specific application, ITM is proud to offer a wide range of components and system solutions for crawler machines used in the construction industry.

For many years ITM has been the supplier of choice to many Original Equipment Manufacturers of construction machines.

By the design and engineering expertise, extensive research and development, combined with the usage of the most advanced technologies, ITM develops innovative, reliable and competitive products, that meet the highest quality standards.

The Customer is ITM's focus: through a combination of localised manufacturing and a distribution network that covers most of the world, the ITM Group supports its customers through its proximity to them and its continuous monitoring of their needs.



CATERPILLAR

Brand	Machine Model	Chain Pitch (mm)
CATERPILLAR	311 - 311B - 311C	171,10
Description	ITM P/N	
Track Group	L3206300M41500	
Track Chain	F3206800M00041	
Track Shoe	Z15493A0N0500V	
Sprocket	R1612000M01	
CATERPILLAR	312 - 312B	171,10
Description	ITM P/N	
Track Group	L3206300M43500	
Track Group	K14043M0M43600	
Track Chain	F3206800M00043	
Track Chain	E14046B3M00043	
Track Shoe	Z15493A0N0500V	
Track Shoe	Z15493A0N0600V	
Sprocket	R1612000M01	
CATERPILLAR	312BL	171,10
Description	ITM P/N	
Track Group	K14043M0M43600	
Track Group	K14043M0M46600	
Track Group	L3206300M46600	
Track Chain	E14046B3M00043	
Track Chain	E14046B3M00046	
Track Chain	F3206800M00046	
Track Shoe	Z15493A0N0600V	
Sprocket	R1612000M01	
CATERPILLAR	312C	171,10
Description	ITM P/N	
Track Group	L3206300M43500	
Track Group	K14043M0M43600	
Track Group	L3206300M46600	
Track Chain	F3206800M00043	
Track Chain	E14046B3M00043	
Track Chain	F3206800M00046	
Track Shoe	Z15493A0N0500V	
Track Shoe	Z15493A0N0600V	
Sprocket	R1612000M01	
CATERPILLAR	312CL	171,10
Description	ITM P/N	
Track Group	L3206300M46600	
Track Chain	F3206800M00046	
Track Shoe	Z15493A0N0600V	
Sprocket	R1612000M01	
CATERPILLAR	313B	171,10
Description	ITM P/N	
Track Group	L3206300M43500	
Track Chain	F3206800M00043	
Track Shoe	Z15493A0N0500V	
Sprocket	R1612000M01	
CATERPILLAR	314C	171,10
Description	ITM P/N	
Track Group	L3206300M43500	
Track Chain	F3206800M00043	
Track Shoe	Z15493A0N0500V	
Sprocket	R1612000M01	
CATERPILLAR	314CL	171,10
Description	ITM P/N	
Track Group	L3206300M46600	
Track Chain	F3206800M00046	
Track Shoe	Z15493A0N0600V	
Sprocket	R1612000M01	

Brand	Machine Model	Chain Pitch (mm)
CATERPILLAR	318B	190,00
Description	ITM P/N	
Track Group	K01193A2M45600	
Track Chain	E01198A1M00045	
Track Shoe	Z16223A1N0600V	
Track Roller	A78200B0M00	
Carrier Roller	C78201B0M00	
Sprocket	R7820000M01	
Idler	P7820400N00	
CATERPILLAR	318BL	190,00
Description	ITM P/N	
Track Group	K01193A2M47600	
Track Chain	E01198A1M00047	
Track Shoe	Z16223A1N0600V	
Track Roller	A78200B0M00	
Carrier Roller	C78201B0M00	
Sprocket	R0117000M01	
CATERPILLAR	318BN - 318C	190,00
Description	ITM P/N	
Track Group	K01193A2M45600	
Track Chain	E01198A1M00045	
Track Shoe	Z16223A1N0600V	
Track Roller	A78200B0M00	
Carrier Roller	C78201B0M00	
Sprocket	R7820000M01	
Idler	P7820400N00	
CATERPILLAR	318C	190,00
Description	ITM P/N	
Track Chain	E16226B1M00049	
Track Shoe	Z16223A1N0600V	
Track Roller	A78200B0M00	
Carrier Roller	C78201B0M00	
Sprocket	R7820000M01	
Idler	P7820400N00	
CATERPILLAR	318CL	190,00
Description	ITM P/N	
Track Group	K01193A2M47600	
Track Chain	E01198A1M00047	
Track Shoe	Z16223A1N0600V	
Track Roller	A78200B0M00	
Carrier Roller	C78201B0M00	
Sprocket	R7820000M01	
Idler	P7820400N00	
CATERPILLAR	320 - 320B	190,00
Description	ITM P/N	
Track Group	K01193A2M45600	
Track Chain	E01198A1M00045	
Track Shoe	Z16223A1N0600V	
Track Roller	A78200B0M00	
Carrier Roller	C78201B0M00	
Sprocket	R7820000M01	
Idler	P7820400N00	
CATERPILLAR	320BL - 320BLL	190,00
Description	ITM P/N	
Track Chain	E16226B1M00049	
Track Shoe	Z16223A1N0600V	
Track Roller	A78200B0M00	
Carrier Roller	C78201B0M00	
Sprocket	R7820000M01	
Idler	P7820400N00	

For additional non-listed components, please contact ITM or the ITM Dealer nearest to you.

CATERPILLAR

Brand	Machine Model	Chain Pitch (mm)
CATERPILLAR	320BN	190,00
Description	ITM P/N	
Track Group	K01193A2M45600	
Track Chain	E01198A1M00045	
Track Shoe	Z16223A1N0600V	
Track Roller	A78200B0M00	
Carrier Roller	C78201B0M00	
Sprocket	R7820000M01	
Idler	P7820400N00	
CATERPILLAR	320BS - 320BU	202,80
Description	ITM P/N	
Track Chain	EY627600M00045	
Track Roller	A01250C0M00	
Carrier Roller	C0125100M00	
Sprocket	R0125000M01	
CATERPILLAR	320C	190,00
Description	ITM P/N	
Track Group	K01193A2M45600	
Track Chain	E01198A1M00045	
Track Shoe	Z16223A1N0600V	
Track Roller	A78200B0M00	
Carrier Roller	C78201B0M00	
Sprocket	R7820000M01	
Idler	P7820400N00	
CATERPILLAR	320CL	190,00
Description	ITM P/N	
Track Group	K01193A2M49600	
Track Group	K01193A2M49800	
Track Chain	E16226B1M00049	
Track Shoe	Z16223A1N0600V	
Track Shoe	Z16223A1N0800V	
Track Roller	A78200B0M00	
Carrier Roller	C78201B0M00	
Sprocket	R7820000M01	
Idler	P7820400N00	
CATERPILLAR	320CS	202,80
Description	ITM P/N	
Track Chain	EY627600M00045	
Track Roller	A01250C0M00	
Carrier Roller	C0125100M00	
Sprocket	R0125000M01	
CATERPILLAR	320D	190,00
	CXY-00001-UP	
Description	ITM P/N	
Track Group	K01193A2M45600	
Track Chain	E01198A1M00045	
Track Shoe	Z16223A1N0600V	
Track Roller	A78200B0M00	
Carrier Roller	C78201B0M00	
Sprocket	R7820000M01	
Idler	P7820400N00	
CATERPILLAR	320DL - 320L	190,00
Description	ITM P/N	
Track Chain	E16226B1M00049	
Track Shoe	Z16223A1N0800V	
Track Roller	A78200B0M00	
Carrier Roller	C78201B0M00	
Sprocket	R7820000M01	
Idler	P7820400N00	

Brand	Machine Model	Chain Pitch (mm)
CATERPILLAR	320N	190,00
Description	ITM P/N	
Track Group	K01193A2M45700	
Track Chain	E01198A1M00045	
Track Shoe	Z16223A1N0700V	
Track Roller	A78200B0M00	
Carrier Roller	C78201B0M00	
Sprocket	R7820000M01	
Idler	P7820400N00	
CATERPILLAR	320S	202,80
Description	ITM P/N	
Track Chain	EY627600M00045	
Track Roller	A01250C0M00	
Carrier Roller	C0125100M00	
Sprocket	R0125000M01	
Idler	P01254B0N00	
CATERPILLAR	323DL	190,00
Description	ITM P/N	
Track Chain	E16226B1M00049	
Track Shoe	Z16223A1N0600V	
Track Roller	A0122000M00	
Carrier Roller	C78201B0M00	
Sprocket	R7820000M01	
Idler	P7820400N00	
CATERPILLAR	323DLN	190,00
Description	ITM P/N	
Track Chain	E16226B1M00049	
Track Shoe	Z16223A1N0500V	
Track Roller	A0122000M00	
Carrier Roller	C78201B0M00	
Sprocket	R7820000M01	
Idler	P7820400N00	
CATERPILLAR	323DS	202,80
Description	ITM P/N	
Track Group	KY6273E0M45600	
Track Chain	EY627600M00045	
Track Shoe	ZY6273A0N0600V	
Track Roller	A01250C0M00	
Carrier Roller	C0125100M00	
Sprocket	R0125000M01	
Idler	P01254B0N00	
CATERPILLAR	324D	190,00
Description	ITM P/N	
Track Group	K01193A2M47600	
Track Chain	E01198A1M00047	
Track Shoe	Z16223A1N0600V	
Track Roller	A0122000M00	
Carrier Roller	C78201B0M00	
Sprocket	R7820000M01	
CATERPILLAR	324D	202,80
Description	ITM P/N	
Track Group	KY6273E0M48600	
Track Chain	EY627600M00048	
Track Shoe	ZY6273A0N0600V	
Track Roller	A01250C0M00	
Track Roller / Carrier Roller	A01250C0M00	
Idler	P01254B0N00	



CATERPILLAR

Brand	Machine Model	Chain Pitch (mm)
CATERPILLAR	324DL - 324DLN	190,00
Description	ITM P/N	
Track Group	K01193A2M51600	
Track Chain	E01198A1M00051	
Track Shoe	Z16223A1N0600V	
Track Roller	A0122000M00	
Carrier Roller	C78201B0M00	
Sprocket	R7820000M01	
CATERPILLAR	345B	215,90
Description	ITM P/N	
Track Group	KZ135300M49600	
Track Chain	EZ1356D1M00049	
Track Shoe	Z7640300N0600V	
CATERPILLAR	345BL	215,90
Description	ITM P/N	
Track Group	KZ135300M52600	
Track Group	KZ1353N0M52600	
Track Group	KZ135300M52750	
Track Group	KZ135300M52900	
Track Chain	EZ1356B1M00052	
Track Chain	EZ1356D1M00052	
Track Shoe	Z7640300N0600V	
Track Shoe	Z7640300N0750V	
Track Shoe	Z7640300N0900V	
CATERPILLAR	345C	215,90
Description	ITM P/N	
Track Group	KZ135300M49750	
Track Chain	EZ1356D1M00049	
Track Shoe	Z7640300N0750V	
CATERPILLAR	345CL	215,90
Description	ITM P/N	
Track Group	KZ135300M52600	
Track Group	KZ135300M52750	
Track Group	KZ135300M52900	
Track Chain	EZ1356D1M00052	
Track Shoe	Z7640300N0750V	
Track Shoe	Z7640300N0900V	
CATERPILLAR	349E - 349EL 349D - 349DL	219,00
Description	ITM P/N	
Track Group	KZ135300M49600	
Track Group	KZ135300M52600	
Track Group	KZ1353N0M52600	
Track Group	KZ135300M52750	
Track Group	KZ135300M52900	
Track Chain	EZ1356D1M00049	
Track Chain	EZ1356B1M00052	
Track Chain	EZ1356D1M00052	
Track Shoe	Z7640300N0600V	
Track Shoe	Z7640300N0750V	
Track Shoe	Z7640300N0900V	
CATERPILLAR	365B - 365BLU 365C	260,35
Description	ITM P/N	
Track Group	K40352A0M47650	
Track Chain	E40350A0M00047	
Track Shoe	Z7670200N0650V	

Brand	Machine Model	Chain Pitch (mm)
CATERPILLAR	365BL	260,35
Description	ITM P/N	
Track Group	K40352A0M47610	
Track Group	K40352A0M47650	
Track Chain	E40350A0M00047	
Track Shoe	Z7670200N0610V	
Track Shoe	Z7670200N0650V	
CATERPILLAR	365CL	260,35
Description	ITM P/N	
Track Group	K40352A0M47650	
Track Group	K40352A0M51650	
Track Chain	E40350A0M00047	
Track Chain	E40350A0M00051	
Track Shoe	Z7670200N0650V	
CATERPILLAR	375	260,35
Description	ITM P/N	
Track Group	L0175200M47610	
Track Chain	F0175800M00047	
Track Shoe	Z0175200N0610V	
CATERPILLAR	375CL	260,35
Description	ITM P/N	
Track Group	L0175200M51610	
Track Chain	F0175800M00051	
Track Shoe	Z0175200N0610V	
CATERPILLAR	385B	260,35
Description	ITM P/N	
Track Group	K14092C0Y47750	
Track Chain	E14096E0Y00047	
Track Shoe	ZY4092E0N0750V	
CATERPILLAR	385BL	260,35
Description	ITM P/N	
Track Group	K14092C0Y51750	
Track Chain	E14096E0Y00051	
Track Shoe	ZY4092E0N0750V	
CATERPILLAR	385C - 385CFS	260,35
Description	ITM P/N	
Track Group	K14092C0Y47650	
Track Chain	E14096E0Y00047	
Track Shoe	ZY4092E0N0650V	
CATERPILLAR	385CL	260,35
Description	ITM P/N	
Track Group	K14092C0Y51900	
Track Chain	E14096E0Y00051	
Track Shoe	ZY4092E0N0900V	

For additional non-listed components, please contact ITM or the ITM Dealer nearest to you.

Brand	Machine Model/Series	Chain Pitch (mm)
HITACHI	ZX85US	154,00
Description	ITM P/N	
Track Group	K1506300M40450	
Track Chain	E1506600M00040	
Track Shoe	Z1506300N0450V	
Track Roller	A76060A0M00	
Carrier Roller	C76061A0M00	
Idler with Tension Unit	P76064A0M00	
HITACHI	ZX95 - ZX110	171,00
Description	ITM P/N	
Track Group	L3206300M41500	
Track Chain	F3206800M00041	
Track Shoe	Z15493A0N0500V	
Track Roller	A7610000M00	
Carrier Roller	C1549000M00	
Sprocket	R7610000M01	
Idler	P1549400M00	
HITACHI	ZX110M	190,00
Description	ITM P/N	
Track Group	K1569300M42600	
Track Chain	E1569801M00042	
Track Shoe	Z32123A1N0600V	
Track Roller	A76200A0M00	
Carrier Roller	C15690E1M00	
Sprocket	R76200A0M01	
HITACHI	ZX120	171,10
Description	ITM P/N	
Track Group	L3206300M44500	
Track Chain	F3206800M00044	
Track Shoe	Z15493A0N0500V	
Track Roller	A7610000M00	
Carrier Roller	C1549000M00	
Sprocket	R7610000M01	
Idler	P1549400M00	
HITACHI	ZX125	171,50
Description	ITM P/N	
Track Group	L3206300M46500	
Track Chain	F3206800M00046	
Track Shoe	Z15493A0N0500V	
Track Roller	A7610000M00	
Carrier Roller	C1549000M00	
Sprocket	R7610000M01	
Idler	P1549400M00	
HITACHI	ZX130	171,50
Description	ITM P/N	
Track Group	L3206300M46500	
Track Chain	F3206800M00046	
Track Shoe	Z15493A0N0500V	
Track Roller	A7610000M00	
Carrier Roller	C1549000M00	
Sprocket	R7610000M01	
Idler	P1549400M00	
HITACHI	ZX130NLC	171,50
Description	ITM P/N	
Track Group	L3206300M44500	
Track Chain	F3206800M00044	
Track Shoe	Z15493A0N0500V	
Track Roller	A7610000M00	
Carrier Roller	C1549000M00	
Sprocket	R7610000M01	
Idler	P1549400M00	

Brand	Machine Model/Series	Chain Pitch (mm)
HITACHI	ZX135US ZX135UR	171,10
Description	ITM P/N	
Track Group	L3206300M44700	
Track Chain	F3206800M00044	
Track Shoe	Z15493A0N0700V	
Track Roller	A7610000M00	
Carrier Roller	C1549000M00	
Idler	P1549400M00	
HITACHI	ZX160LC	190,00
Description	ITM P/N	
Track Group	K1569300M43700	
Track Chain	E1569801M00043	
Track Shoe	Z32123A1N0700V	
Track Roller	A76200A0M00	
Carrier Roller	C15690E1M00	
Sprocket	R76200A0M01	
Idler	P15164A0M00	
HITACHI	ZX180LC ZX180NLC	190,00
Description	ITM P/N	
Track Group	K1569300M46500	
Track Chain	E1569801M00046	
Track Shoe	Z32123A1N0500V	
Track Roller	A76200A0M00	
Carrier Roller	C76200B2M00	
Sprocket	R76200A0M01	
Idler	P15164A0M00	
HITACHI	ZX200 - ZX200E ZX200X	190,00
Description	ITM P/N	
Track Group	K1569300M46600	
Track Chain	E1569801M00046	
Track Shoe	Z32123A1N0600V	
Track Roller	A76200A0M00	
Carrier Roller	C76200B2M00	
Idler	P15164A0M00	
HITACHI	ZX200ELC ZX200LC ZX200XLC	190,00
Description	ITM P/N	
Track Group	K1569300M49600	
Track Chain	E40207C0M00049	
Track Shoe	Z32123A1N0600V	
Track Roller	A76200A0M00	
Carrier Roller	C76200B2M00	
Idler	P15164A0M00	
HITACHI	ZX210 - ZX210K	190,00
Description	ITM P/N	
Track Group	K1569300M46600	
Track Chain	E1569801M00046	
Track Shoe	Z32123A1N0600V	
Track Roller	A76200A0M00	
Carrier Roller	C76200B2M00	
Idler	P15164A0M00	

Brand	Machine Model/Series	Chain Pitch (mm)
HITACHI	ZX210LK ZX210KLC	190,00
Description	ITM P/N	
Track Group	K1569300M49600	
Track Chain	E40207C0M00049	
Track Shoe	Z32123A1N0600V	
Track Roller	A76200A0M00	
Carrier Roller	C76200B2M00	
Idler	P15164A0M00	
HITACHI	ZX225LC ZX225USLC ZX225USRLC ZX225URSLC	190,00
Description	ITM P/N	
Track Group	K15693F1M49600	
Track Chain	E40207C0M00049	
Track Shoe	Z7623300N0600V	
Track Roller	A76200A0M00	
Carrier Roller	C76200B2M00	
Sprocket	R1579000M01	
Idler	P15164A0M00	
HITACHI	ZX225US ZX225USR ZX225USRK	190,00
Description	ITM P/N	
Track Group	K1569300M46600	
Track Chain	E1569801M00046	
Track Shoe	Z32123A1N0600V	
Track Roller	A76200A0M00	
Carrier Roller	C76200B2M00	
Idler	P15164A0M00	
HITACHI	ZX230	190,00
Description	ITM P/N	
Track Group	K15693F1M47600	
Track Chain	E15698B1M00047	
Track Shoe	Z7623300N0600V	
Track Roller	A76200A0M00	
Carrier Roller	C76200B2M00	
Carrier Roller	C15690E1M00	
Sprocket	R1579000M01	
Idler	P15164A0M00	
HITACHI	ZX230LC	190,00
Description	ITM P/N	
Track Group	K15693F1M51600	
Track Chain	E15698B1M00051	
Track Shoe	Z7623300N0600V	
Track Roller	A76200A0M00	
Carrier Roller	C76200B2M00	
Sprocket	R1579000M01	
Idler	P15164A0M00	
HITACHI	ZX240H - ZX240K	190,00
Description	ITM P/N	
Track Group	K15693F1M47600	
Track Chain	E15698B1M00047	
Track Shoe	Z7623300N0600V	
Track Roller	A76200A0M00	
Carrier Roller	C76200B2M00	
Sprocket	R1579000M01	
Idler	P15164A0M00	

Brand	Machine Model/Series	Chain Pitch (mm)
HITACHI	ZX240HLC ZX240KLC	190,00
Description	ITM P/N	
Track Group	K15693F1M51600	
Track Chain	E15698B1M00051	
Track Shoe	Z7623300N0600V	
Track Roller	A76200A0M00	
Carrier Roller	C76200B2M00	
Sprocket	R1579000M01	
Idler	P15164A0M00	
HITACHI	ZX250H - ZX250K	190,00
Description	ITM P/N	
Track Group	K15693F1M47600	
Track Chain	E15698B1M00047	
Track Shoe	Z7623300N0600V	
Track Roller	A76200A0M00	
Carrier Roller	C76200B2M00	
Sprocket	R1579000M01	
Idler	P15164A0M00	
HITACHI	ZX250HLC ZX250KLC	190,00
Description	ITM P/N	
Track Group	K15693F1M51600	
Track Chain	E15698B1M00051	
Track Shoe	Z7623300N0600V	
Track Roller	A76200A0M00	
Carrier Roller	C76200B2M00	
Sprocket	R1579000M01	
Idler	P15164A0M00	
HITACHI	ZX270	216,00
Description	ITM P/N	
Track Group	K40303D1M45600	
Track Chain	E40306C1M00045	
Track Shoe	Z40303M0N0600V	
Track Roller	A14060A0M00	
Idler	P7633400M00	
HITACHI	ZX270HLC	216,00
Description	ITM P/N	
Track Group	K40303D1M48800	
Track Chain	E40306C1M00048	
Track Shoe	Z40303M0N0800V	
Track Roller	A14060A0M00	
Idler	P7633400M00	
HITACHI	ZX280LC ZX280LCN	216,00
Description	ITM P/N	
Track Group	K40303D1M48800	
Track Chain	E40306C1M00048	
Track Shoe	Z40303M0N0800V	
Track Roller	A14060A0M00	
Idler	P7633400M00	

For additional non-listed components, please contact ITM or the ITM Dealer nearest to you.

Brand	Machine Model/Series	Chain Pitch (mm)
HITACHI	ZX330	216,00
Description	ITM P/N	
Track Group	K40303D1M45600	
Track Chain	E40306C1M00045	
Track Shoe	Z40303M0N0600V	
Track Roller	A14060A0M00	
Idler	P7633400M00	
HITACHI	ZX330LC	216,00
Description	ITM P/N	
Track Group	K40303D1M48800	
Track Chain	E40306C1M00048	
Track Shoe	Z40303M0N0800V	
Track Roller	A14060A0M00	
Idler	P7633400M00	
HITACHI	ZX350H	216,00
Description	ITM P/N	
Track Group	K40303D1M45600	
Track Chain	E40306C1M00045	
Track Shoe	Z40303M0N0600V	
Track Roller	A14060A0M00	
Idler	P7633400M00	
HITACHI	ZX350LCH	216,00
Description	ITM P/N	
Track Group	K40303D1M48600	
Track Chain	E40306C1M00048	
Track Shoe	Z40303M0N0600V	
Track Roller	A14060A0M00	
Idler	P7633400M00	
HITACHI	ZX370 - ZX370MTH	216,00
Description	ITM P/N	
Track Group	KZ135300M45600	
Track Chain	EZ1356D1M00045	
Track Shoe	Z7640300N0600V	
Track Roller	A7640005M00	
Carrier Roller	C7640000M00	
Sprocket	R1599000M01	
HITACHI	ZX380HH	215,90
Description	ITM P/N	
Track Group	KZ135300M46600	
Track Chain	EZ1356D1M00046	
Track Shoe	Z7640300N0600V	
Track Roller	A7640005M00	
Carrier Roller	C7640000M00	
Sprocket	R1599000M01	
HITACHI	ZX450 - ZX450H	215,90
Description	ITM P/N	
Track Group	KZ135300M47600	
Track Chain	EZ1356D1M00047	
Track Shoe	Z7640300N0600V	
Track Roller	A7640005M00	
Carrier Roller	C7640000M00	
Sprocket	R1599000M01	
HITACHI	ZX450LC	215,90
Description	ITM P/N	
Track Group	KZ135300M53900	
Track Chain	EZ1356D1M00053	
Track Shoe	Z7640300N0900V	
Track Roller	A7640005M00	
Carrier Roller	C7640000M00	
Sprocket	R1599000M01	

Brand	Machine Model/Series	Chain Pitch (mm)
HITACHI	ZX470H	215,90
Description	ITM P/N	
Track Group	KZ135300M47600	
Track Chain	EZ1356D1M00047	
Track Shoe	Z7640300N0600V	
Track Roller	A7640005M00	
Carrier Roller	C7640000M00	
Sprocket	R1599000M01	
HITACHI	ZX470HLC	215,90
Description	ITM P/N	
Track Group	KZ135300M53900	
Track Chain	EZ1356D1M00053	
Track Shoe	Z7640300N0900V	
Track Roller	A7640005M00	
Carrier Roller	C7640000M00	
Sprocket	R1599000M01	
HITACHI	ZX480MT	228,60
Description	ITM P/N	
Track Group	K71553B0M49900	
Track Chain	E71557A0M00049	
Track Shoe	Z7155300N0900V	
Track Roller	A7655001M00	
Carrier Roller	C76500A0M00	
Sprocket	R7655001M01	
HITACHI	ZX500LC	228,60
Description	ITM P/N	
Track Group	K71553B0M49900	
Track Chain	E71557A0M00049	
Track Shoe	Z7155300N0900V	
Track Roller	A7655001M00	
Carrier Roller	C76500A0M00	
Sprocket	R7655001M01	
HITACHI	ZX520HLC	228,60
Description	ITM P/N	
Track Group	K71553B0M49600	
Track Chain	E71557A0M00049	
Track Shoe	Z7155300N0900V	
Track Roller	A7655001M00	
Carrier Roller	C76500A0M00	
Sprocket	R7655001M01	
HITACHI	ZX600	228,60
Description	ITM P/N	
Track Group	K71553B0M49600	
Track Chain	E71557A0M00049	
Track Shoe	Z7155300N0600V	
Track Roller	A7655001M00	
Carrier Roller	C76500A0M00	
Sprocket	R7655001M01	
HITACHI	ZX600LC	228,60
Description	ITM P/N	
Track Group	K71553B0M52600	
Track Chain	E71557A0M00052	
Track Shoe	Z7155300N0600V	
Track Roller	A7655001M00	
Carrier Roller	C76500A0M00	
Sprocket	R7655001M01	

Brand	Machine Model/Series	Chain Pitch (mm)
HITACHI	ZX650H	228,60
Description	ITM P/N	
Track Group	K71553B0M49600	
Track Chain	E71557A0M00049	
Track Shoe	Z7155300N0600V	
Track Roller	A7655001M00	
Carrier Roller	C76500A0M00	
Sprocket	R7655001M01	
HITACHI	ZX650LCH	228,60
Description	ITM P/N	
Track Group	K71553B0M52600	
Track Chain	E71557A0M00052	
Track Shoe	Z7155300N0600V	
Track Roller	A7655001M00	
Carrier Roller	C76500A0M00	
Sprocket	R7655001M01	
HITACHI	ZX670HLC	260,00
	3	
Description	ITM P/N	
Track Group	K40352A0M47650	
Track Chain	E40350A0M00047	
Track Shoe	Z7670200N0650V	
Track Roller	A1680000M00	
Carrier Roller	C7670000M00	
Sprocket	R7670000M01	
Idler	P76704A0N00	
Idler with Tension Unit	P76703A0N00	
HITACHI	ZX800	260,35
Description	ITM P/N	
Track Group	K7670200M51650	
Track Chain	E7670700M00051	
Track Shoe	Z7670200N0650V	
Track Roller	A1680000M00	
Carrier Roller	C7670000M00	
Sprocket	R7670000M01	
Idler	P7675400N00	
Idler with Tension Unit	P7675300N00	
HITACHI	ZX850H	260,35
Description	ITM P/N	
Track Group	K7670200M51650	
Track Chain	E7670700M00051	
Track Shoe	Z7670200N0650V	
Track Roller	A1680000M00	
Carrier Roller	C7670000M00	
Sprocket	R7670000M01	
Idler	P7675400N00	
Idler with Tension Unit	P7675300N00	
HITACHI	ZX870HLC	260,35
	3	
Description	ITM P/N	
Track Group	K7670200M51650	
Track Chain	E7670700M00051	
Track Shoe	Z7670200N0650V	
Track Roller	A1680000M00	
Carrier Roller	C7670000M00	
Sprocket	R7670000M01	
Idler	P7675400N00	
Idler with Tension Unit	P7675300N00	

Brand	Machine Model/Series	Chain Pitch (mm)
HITACHI	EX100	171,50
	5	
Description	ITM P/N	
Track Group	L3206300M41500	
Track Chain	F3206800M00041	
Track Shoe	Z15493A0N0500V	
Track Roller	A7610000M00	
Carrier Roller	C1549000M00	
Sprocket	R7610000M01	
Idler	P1549400M00	
HITACHI	EX110	171,50
	5	
Description	ITM P/N	
Track Group	L3206300M46500	
Track Chain	F3206800M00041	
Track Shoe	Z15493A0N0500V	
Track Roller	A7610000M00	
Carrier Roller	C1549000M00	
Sprocket	R7610000M01	
Idler	P1549400M00	
HITACHI	EX120	171,50
	5	
Description	ITM P/N	
Track Group	L3206300M46500	
Track Chain	F3206800M00046	
Track Shoe	Z15493A0N0500V	
Track Roller	A7610000M00	
Carrier Roller	C1549000M00	
Sprocket	R7610000M01	
Idler	P1549400M00	
HITACHI	EX130H	171,50
	5	
Description	ITM P/N	
Track Group	L3206300M44500	
Track Chain	F3206800M00044	
Track Shoe	Z15493A0N0500V	
Track Roller	A7610000M00	
Carrier Roller	C1549000M00	
Sprocket	R7610000M01	
Idler	P1549400M00	
HITACHI	EX150	171,50
	5	
Description	ITM P/N	
Track Group	K1569300M43500	
Track Chain	E1569801M00043	
Track Shoe	Z32123A1N0500V	
Track Roller	A76200A0M00	
Carrier Roller	C15690E1M00	
Sprocket	R76200A0M01	
Idler	P1516400M00	
HITACHI	EX150LC	171,50
Description	ITM P/N	
Track Group	K76153A0M49760	
Track Chain	E7615601M00049	
Track Shoe	Z7615300N0760V	
Track Roller	A7615000M00	
Carrier Roller	C7615000M00	
Sprocket	R7615000M01	

For additional non-listed components, please contact ITM or the ITM Dealer nearest to you.

Brand	Machine Model/Series	Chain Pitch (mm)
HITACHI	EX160	190,00
	5	
Description	ITM P/N	
Track Group	K1569300M43500	
Track Chain	E1569801M00043	
Track Shoe	Z32123A1N0500V	
Track Roller	A76200A0M00	
Carrier Roller	C15690E1M00	
Sprocket	R76200A0M01	
Idler	P1516400M00	
HITACHI	EX200	190,00
	2	
Description	ITM P/N	
Track Group	K1569300M46600	
Track Chain	E1569801M00046	
Track Shoe	Z32123A1N0600V	
Track Roller	A7620001M00	
Carrier Roller	C15690E1M00	
Sprocket	R1579000M01	
HITACHI	EX200	190,00
	5	
Description	ITM P/N	
Track Group	K1569300M46600	
Track Chain	E1569801M00046	
Track Shoe	Z32123A1N0600V	
Track Roller	A76200A0M00	
Carrier Roller	C15690E1M00	
Sprocket	R76200A0M01	
Idler	P1516400M00	
HITACHI	EX200	190,00
	3 82898-UP	
Description	ITM P/N	
Track Group	K1569300M46600	
Track Chain	E1569801M00046	
Track Shoe	Z32123A1N0600V	
Track Roller	A76200A0M00	
Carrier Roller	C15690E1M00	
HITACHI	EX200	190,00
	3 78001-82897	
Description	ITM P/N	
Track Group	K1569300M46600	
Track Chain	E1569801M00046	
Track Shoe	Z32123A1N0600V	
Track Roller	A7620001M00	
Carrier Roller	C15690E1M00	
Sprocket	R76200A0M01	
HITACHI	EX200	190,00
	5	
Description	ITM P/N	
Track Group	K15693C2M47600	
Track Chain	E15698B1M00047	
Track Shoe	Z40603G1N0600V	
Track Roller	A76200A0M00	
Carrier Roller	C15690E1M00	
Sprocket	R1579000M01	
Idler	P1516400M00	

Brand	Machine Model/Series	Chain Pitch (mm)
HITACHI	EX200H	190,00
	3	
Description	ITM P/N	
Track Group	K1569300M46600	
Track Chain	E1569801M00046	
Track Shoe	Z32123A1N0600V	
Track Roller	A76200A0M00	
Carrier Roller	C15690E1M00	
HITACHI	EX200HLC	190,00
	3	
Description	ITM P/N	
Track Group	K1569300M49600	
Track Chain	E40207C0M00049	
Track Shoe	Z32123A1N0600V	
Track Roller	A7620001M00	
Carrier Roller	C15690E1M00	
Sprocket	R1579000M01	
HITACHI	EX200K	190,00
	2	
Description	ITM P/N	
Track Group	K1569300M46600	
Track Chain	E1569801M00046	
Track Shoe	Z32123A1N0600V	
Track Roller	A7620001M00	
Carrier Roller	C15690E1M00	
Sprocket	R76200A0M01	
HITACHI	EX200LC	175,40
	1	
Description	ITM P/N	
Track Group	L14053B0M52600	
Track Chain	F14058B0M00052	
Track Shoe	Z01053D0N0600V	
Track Roller	A3208000M00	
Carrier Roller	C0422000M00	
Sprocket	R7620000M01	
HITACHI	EX200LC	190,00
	2	
Description	ITM P/N	
Track Group	K1569300M49600	
Track Chain	E40207C0M00049	
Track Shoe	Z32123A1N0600V	
Track Roller	A7620001M00	
Carrier Roller	C15690E1M00	
Sprocket	R1579000M01	
HITACHI	EX200LC	190,00
	3 78001-83132 ; 3 83133-UP ; 5	
Description	ITM P/N	
Track Group	K1569300M49600	
Track Chain	E40207C0M00049	
Track Shoe	Z32123A1N0600V	
Track Roller	A7620001M00	
Carrier Roller	C15690E1M00	
Sprocket	R76200A0M01	

Brand	Machine Model/Series	Chain Pitch (mm)
HITACHI	EX200LCH	190,00
	3	
Description	ITM P/N	
Track Group	K1569300M49600	
Track Chain	E40207C0M00049	
Track Shoe	Z32123A1N0600V	
Track Roller	A76200A0M00	
Carrier Roller	C15690E1M00	
HITACHI	EX200LCK	190,00
	3	
Description	ITM P/N	
Track Group	K1569300M49600	
Track Chain	E40207C0M00049	
Track Shoe	Z32123A1N0600V	
Track Roller	A76200A0M00	
Carrier Roller	C15690E1M00	
Sprocket	R1579000M01	
HITACHI	EX210H	190,00
	5	
Description	ITM P/N	
Track Group	K1569300M46600	
Track Chain	E1569801M00046	
Track Shoe	Z32123A1N0600V	
Track Roller	A76200A0M00	
Carrier Roller	C15690E1M00	
Sprocket	R76200A0M01	
Idler	P1516400M00	
HITACHI	EX210LCH	190,00
	5	
Description	ITM P/N	
Track Group	K1569300M49600	
Track Chain	E40207C0M00049	
Track Shoe	Z32123A1N0600V	
Track Roller	A7620001M00	
Carrier Roller	C15690E1M00	
Sprocket	R76200A0M01	
HITACHI	EX220	190,00
	1	
Description	ITM P/N	
Track Group	K15693F1M47600	
Track Chain	E15698B1M00047	
Track Shoe	Z7623300N0600V	
Track Roller	A7622001M00	
Carrier Roller	C0422000M00	
Sprocket	R1579000M01	
HITACHI	EX220	190,00
	3	
Description	ITM P/N	
Track Group	K15693F1M47600	
Track Chain	E15698B1M00047	
Track Shoe	Z7623300N0600V	
Track Roller	A7622001M00	
Carrier Roller	C15690E1M00	
Sprocket	R1579000M01	

Brand	Machine Model/Series	Chain Pitch (mm)
HITACHI	EX220	190,00
	2	
Description	ITM P/N	
Track Group	K15693F1M47600	
Track Chain	E15698B1M00047	
Track Shoe	Z7623300N0600V	
Track Roller	A7620001M00	
Carrier Roller	C15690E1M00	
Sprocket	R1579000M01	
HITACHI	EX220LC	190,00
	1	
Description	ITM P/N	
Track Group	K15693F1M51600	
Track Chain	E15698B1M00051	
Track Shoe	Z7623300N0600V	
Track Roller	A7622001M00	
Carrier Roller	C0422000M00	
Sprocket	R1579000M01	
HITACHI	EX220LC	190,00
	2; 3	
Description	ITM P/N	
Track Group	K15693F1M51600	
Track Chain	E15698B1M00051	
Track Shoe	Z7623300N0600V	
Track Roller	A7620001M00	
Carrier Roller	C15690E1M00	
Sprocket	R1579000M01	
HITACHI	EX220LC	190,00
	5	
Description	ITM P/N	
Track Group	K15693C2M51600	
Track Chain	E15698B1M00051	
Track Shoe	Z40603G1N0600V	
Track Roller	A76200A0M00	
Carrier Roller	C15690E1M00	
Sprocket	R76200A0M01	
Idler	P1516400M00	
HITACHI	EX230HLC	190,00
	5	
Description	ITM P/N	
Track Group	K15693C2M51600	
Track Chain	E15698B1M00051	
Track Shoe	Z40603G1N0600V	
Track Roller	A76200A0M00	
Carrier Roller	C15690E1M00	
Sprocket	R76200A0M01	
Idler	P1516400M00	
HITACHI	EX230H	190,00
	5	
Description	ITM P/N	
Track Group	K15693C2M47600	
Track Chain	E15698B1M00047	
Track Shoe	Z40603G1N0600V	
Track Roller	A76200A0M00	
Carrier Roller	C15690E1M00	
Sprocket	R1579000M01	
Idler	P1516400M00	

For additional non-listed components, please contact ITM or the ITM Dealer nearest to you.

Brand	Machine Model/Series	Chain Pitch (mm)
HITACHI	EX270 2; 5	203,20
Description	ITM P/N	
Track Group	K40303A0M47600	
Track Chain	E40308LOM00047	
Track Shoe	Z40303LON0600V	
Track Roller	A14060A0M00	
Carrier Roller	C0403000M00	
Sprocket	R15890A0M01	
HITACHI	EX270LC 2; 5	203,20
Description	ITM P/N	
Track Group	K40303A0M50600	
Track Chain	E40308LOM00050	
Track Shoe	Z40303LON0600V	
Track Roller	A14060A0M00	
Carrier Roller	C0403000M00	
Sprocket	R15890B0M01	
HITACHI	EX280H 5	216,00
Description	ITM P/N	
Track Group	K40303D1M45600	
Track Chain	E40306C1M00045	
Track Shoe	Z40303M0N0600V	
Track Roller	A14060A0M00	
Carrier Roller	C7630000M00	
HITACHI	EX300 5	216,00
Description	ITM P/N	
Track Group	K40303D1M45600	
Track Chain	E40306C1M00045	
Track Shoe	Z40303M0N0600V	
Track Roller	A14060A0M00	
Carrier Roller	C7630000M00	
HITACHI	EX300 - EX300H 2; 3	203,20
Description	ITM P/N	
Track Group	K40303A0M47600	
Track Chain	E40308LOM00047	
Track Shoes	Z40303LON0600V	
Track Roller	A14060A0M00	
Carrier Roller	C0403000M00	
Sprocket	R15890B0M01	
HITACHI	EX300LC 2; 3	203,20
Description	ITM P/N	
Track Group	K40303A0M50600	
Track Chain	E40308LOM00050	
Track Shoe	Z40303LON0600V	
Track Roller	A14060A0M00	
Carrier Roller	C0403000M00	
Sprocket	R15890B0M01	
HITACHI	EX300LC 5	216,00
Description	ITM P/N	
Track Group	K40303D1M48600	
Track Chain	E40306C1M00048	
Track Shoe	Z40303M0N0600V	
Track Roller	A14060A0M00	
Carrier Roller	C7630000M00	

Brand	Machine Model/Series	Chain Pitch (mm)
HITACHI	EX300LCH 1; 2; 3	203,20
Description	ITM P/N	
Track Group	K40303A0M50600	
Track Chain	E40308LOM00050	
Track Shoe	Z40303LON0600V	
Track Roller	A14060A0M00	
Carrier Roller	C0403000M00	
Sprocket	R15890B0M01	
HITACHI	EX310H 3C	203,20
Description	ITM P/N	
Track Group	K40303A0M47600	
Track Chain	E40308LOM00047	
Track Shoe	Z40303LON0600V	
Track Roller	A14060A0M00	
Carrier Roller	C0403000M00	
Sprocket	R15890B0M01	
HITACHI	EX330 5	216,00
Description	ITM P/N	
Track Group	K40303D1M45600	
Track Chain	E40306C1M00045	
Track Shoe	Z40303M0N0600V	
Track Roller	A14060A0M00	
HITACHI	EX330LC 5	216,00
Description	ITM P/N	
Track Group	K40303D1M48600	
Track Chain	E40306C1M00048	
Track Shoe	Z40303M0N0600V	
Track Roller	A14060A0M00	
HITACHI	EX370 5	215,90
Description	ITM P/N	
Track Group	K76403E0M49600	
Track Chain	E76406E0M00049	
Track Shoe	Z40403B0N0600V	
Track Roller	A7640005M00	
Carrier Roller	C7640000M00	
Sprocket	R1599000M01	
HITACHI	EX400 1; 2; 3; 5	215,90
Description	ITM P/N	
Track Group	K76403E0M49600	
Track Chain	E76406E0M00049	
Track Shoe	Z04203T0N0600V	
Track Roller	A7640005M00	
Carrier Roller	C7640000M00	
Sprocket	R1599000M01	
HITACHI	EX400H 1; 3	215,90
Description	ITM P/N	
Track Group	K76403E0M49600	
Track Chain	E76406E0M00049	
Track Shoe	Z04203T0N0600V	
Track Roller	A7640005M00	
Carrier Roller	C7640000M00	
Sprocket	R1599000M01	



For additional non-listed components, please contact ITM or the ITM Dealer nearest to you.

HITACHI

Brand	Machine Model/Series	Chain Pitch (mm)
HITACHI	EX400HLC	215,90
	EX400LC	
	1	
Description	ITM P/N	
Track Group	K76403D0M53600	
Track Chain	E76406D0M00053	
Track Shoe	Z04203T0N0600V	
Track Roller	A140700AM00	
Carrier Roller	C7140000M00	
Sprocket	R1599000M01	
HITACHI	EX400LC	215,90
	2; 3	
Description	ITM P/N	
Track Group	K76403D0M53600	
Track Chain	E76406D0M00053	
Track Shoe	Z04203T0N0600V	
Track Roller	A7640005M00	
Carrier Roller	C7140000M00	
Sprocket	R1599000M01	
HITACHI	EX400LCH	215,90
	3	
Description	ITM P/N	
Track Group	K76403D0M53600	
Track Chain	E76406D0M00053	
Track Shoe	Z04203T0N0600V	
Track Roller	A7640005M00	
Carrier Roller	C7140000M00	
Sprocket	R1599000M01	
HITACHI	EX450	215,90
	5	
Description	ITM P/N	
Track Group	K76403E0M49600	
Track Chain	E76406E0M00049	
Track Shoe	Z40403B0N0600V	
Track Roller	A7640005M00	
Carrier Roller	C7640000M00	
Sprocket	R1599000M01	
HITACHI	EX450LC	215,90
	5	
Description	ITM P/N	
Track Group	K76403E0M53600	
Track Chain	E76406E0M00053	
Track Shoe	Z40403B0N0600V	
Track Roller	A7640005M00	
Carrier Roller	C7640000M00	
Sprocket	R1599000M01	
HITACHI	EX500	228,60
Description	ITM P/N	
Track Group	K71553B0M52600	
Track Chain	E71557A0M00052	
Track Shoe	Z7155300N0600V	
Track Roller	A1408000M00	
Carrier Roller	C76500A0M00	
HITACHI	EX500LC	228,60
Description	ITM P/N	
Track Group	K71553B0M52600	
Track Chain	E71557A0M00052	
Track Shoe	Z7155300N0600V	
Track Roller	A1408000M00	
Carrier Roller	C76500A0M00	

Brand	Machine Model/Series	Chain Pitch (mm)
HITACHI	EX550	228,60
	3; 5	
Description	ITM P/N	
Track Group	K71553B0M49600	
Track Chain	E71557A0M00049	
Track Shoe	Z7155300N0600V	
Track Roller	A7655001M00	
Carrier Roller	C76500A0M00	
Sprocket	R7655001M01	
HITACHI	EX550H	228,60
	3; 5	
Description	ITM P/N	
Track Group	K71553B0M49600	
Track Chain	E71557A0M00049	
Track Shoe	Z7155300N0600V	
Track Roller	A7655001M00	
Carrier Roller	C76500A0M00	
Sprocket	R7655001M01	
HITACHI	EX550LC	228,60
	3; 5	
Description	ITM P/N	
Track Group	K71553B0M52600	
Track Chain	E71557A0M00052	
Track Shoe	Z7155300N0600V	
Track Roller	A7655001M00	
Carrier Roller	C76500A0M00	
Sprocket	R7655001M01	
HITACHI	EX550LCH	228,60
Description	ITM P/N	
Track Group	K71553B0M52600	
Track Chain	E71557A0M00052	
Track Shoe	Z7155300N0600V	
Track Roller	A1408000M00	
Carrier Roller	C76500A0M00	
Sprocket	R7655001M01	
HITACHI	EX600	228,60
	1	
Description	ITM P/N	
Track Group	K71553B0M49600	
Track Chain	E71557A0M00049	
Track Shoe	Z7155300N0600V	
Track Roller	A1408000M00	
Carrier Roller	C76500A0M00	
Sprocket	R7655001M01	
HITACHI	EX600	228,60
	3; 5	
Description	ITM P/N	
Track Group	K71553B0M49600	
Track Chain	E71557A0M00049	
Track Shoe	Z7155300N0600V	
Track Roller	A7655001M00	
Carrier Roller	C76500A0M00	
Sprocket	R7655001M01	

Brand	Machine Model/Series	Chain Pitch (mm)
HITACHI	EX600LCH	228,60
Description	ITM P/N	
Track Group	K71553B0M52600	
Track Chain	E71557A0M00052	
Track Shoe	Z7155300N0600V	
Track Roller	A1408000M00	
Carrier Roller	C76500A0M00	
Sprocket	R7655001M01	
HITACHI	EX600LCH	228,60
	3; 5	
Description	ITM P/N	
Track Group	K71553B0M52600	
Track Chain	E71557A0M00052	
Track Shoe	Z7155300N0600V	
Track Roller	A7655001M00	
Carrier Roller	C76500A0M00	
Sprocket	R7655001M01	
HITACHI	EX700 EX700BE	260,00
	EX700H	
	2	
Description	ITM P/N	
Track Group	K40352A0M47650	
Track Chain	E40350A0M00047	
Track Shoe	Z7670200N0650V	
Track Roller	A1680000M00	
Carrier Roller	C7670000M00	
Sprocket	R7670000M01	
Idler	P76704A0N00	
Idler with Tension Unit	P76703A0N00	
HITACHI	EX750	260,35
	5	
Description	ITM P/N	
Track Group	K40352A0M51650	
Track Chain	E40350A0M00051	
Track Shoe	Z7670200N0650V	
Track Roller	A1680000M00	
Carrier Roller	C7670000M00	
Sprocket	R7670000M01	
Idler	P7675400N00	

Brand	Machine Model	Chain Pitch (mm)
JCB	JS110LC - JS115	171,10
Description	ITM P/N	
Track Group	L3206300M41500	
Track Chain	F3206800M00041	
Track Shoe	Z15493A0N0500V	
Track Roller	A7610000M00	
Carrier Roller	C1549000M00	
Sprocket	R2611000M01	
Idler	P9314400M00	
Idler with Tension Unit	P2611200M00	
JCB	JS130LC	171,10
Description	ITM P/N	
Track Group	L3206300M44500	
Track Chain	F3206800M00044	
Track Shoe	Z15493A0N0500V	
Track Roller	A2613000M00	
Carrier Roller	C2612001M00	
Sprocket	R26130A0M01	
JCB	JS145	171,10
Description	ITM P/N	
Track Group	L3206300M44500	
Track Chain	F3206800M00044	
Track Shoe	Z15493A0N0500V	
Track Roller	A2613000M00	
Carrier Roller	C2612001M00	
Sprocket	R26130A0M01	
JCB	JS160L	190,00
Description	ITM P/N	
Track Group	K01193A2M43600	
Track Chain	E01198A1M00043	
Track Shoe	Z16223A1N0600V	
Track Roller	A2620000M00	
Carrier Roller	C2612001M00	
Sprocket	R2616001M01	
Idler	PX616400N00	
JCB	JS160NL	190,00
Description	ITM P/N	
Track Group	K01193A2M43500	
Track Chain	E01198A1M00043	
Track Shoe	Z16223A1N0500V	
Track Roller	A2620000M00	
Carrier Roller	C2612001M00	
Sprocket	R2616001M01	
Idler	PX616400N00	
JCB	JS190LC	190,00
Description	ITM P/N	
Track Group	K01193A2M46600	
Track Chain	E01198A1M00046	
Track Shoe	Z16223A1N0600V	
Track Roller	A2620000M00	
Carrier Roller	C2612001M00	
Sprocket	R26160A1M01	
Idler	PX616400N00	
JCB	JS190NLC	190,00
Description	ITM P/N	
Track Group	K01193A2M46500	
Track Chain	E01198A1M00046	
Track Shoe	Z16223A1N0500V	
Track Roller	A2620000M00	
Carrier Roller	C2612001M00	
Sprocket	R26160A1M01	
Idler	PX616400N00	

Brand	Machine Model	Chain Pitch (mm)
JCB	JS220LC	190,00
Description	ITM P/N	
Track Chain	E16226B1M00049	
Track Shoe	Z16223A1N0600V	
Track Roller	A2620000M00	
Carrier Roller	C2612001M00	
Sprocket	R26160A1M01	
Idler	PX616400N00	
JCB	JS220LC	190,00
Description	ITM P/N	
Track Chain	E16226B1M00049	
Track Shoe	Z16223A1N0700V	
Track Roller	A2620000M00	
Carrier Roller	C2612001M00	
Sprocket	R26160A1M01	
Idler	PX616400N00	
JCB	JS220N	190,00
Description	ITM P/N	
Track Group	K01193A2M46500	
Track Chain	E01198A1M00046	
Track Shoe	Z16223A1N0500V	
Track Roller	A2620000M00	
Carrier Roller	C2612001M00	
Sprocket	R26160A1M01	
Idler	PX616400N00	
JCB	JS220S	190,00
Description	ITM P/N	
Track Group	K01193A2M46600	
Track Chain	E01198A1M00046	
Track Shoe	Z16223A1N0600V	
Track Roller	A2620000M00	
Carrier Roller	C2612001M00	
Sprocket	R26160A1M01	
Idler	PX616400N00	
JCB	JS330LC	203,20
Description	ITM P/N	
Track Group	K04033B0M50600	
Track Chain	E0403800M00050	
Track Shoe	Z0403301N0600V	
Track Roller	A2633000M00	
Carrier Roller	C4143000M00	
Sprocket	R2633001M01	
Idler	P4143400N00	
JCB	JS330NLC	203,20
Description	ITM P/N	
Track Group	K04033B0M50600	
Track Chain	E0403800M00050	
Track Shoe	Z0403301N0600V	
Track Roller	A2633000M00	
Carrier Roller	C4143000M00	
Sprocket	R2633001M01	
Idler	P4143400N00	
JCB	JS370	215,90
Description	ITM P/N	
Track Group	K2637300M50600	
Track Chain	E2637600M00050	
Track Shoe	Z2637300N0600V	
Track Roller	A71300B1M00	
Carrier Roller	C14070B1M00	
Sprocket	R2636000M01	
Idler	P2636200M00	

Brand	Machine Model	Chain Pitch (mm)
JCB	JS290	203,20
Description	ITM P/N	
Track Group	K04033B0M50600	
Track Chain	E0403800M00050	
Track Shoe	Z0403301N0600V	
Track Roller	A26290ABM00	
Carrier Roller	C4143000M00	
Sprocket	R3A27000M01	
JCB	JS360	215,90
Description	ITM P/N	
Track Group	K2637300M48600	
Track Chain	E2637600M00048	
Track Shoe	Z2637300N0600V	
Track Roller	A71300B1M00	
Carrier Roller	C14070B1M00	
Sprocket	R2636000M01	
Idler	P2636200M00	
JCB	JS235	190,00
Description	ITM P/N	
Track Group	L04143B1M47600	
Track Chain	F04140B0M00047	
Track Shoe	Z04143T1N0600V	
Track Roller	A2116000M00	
Carrier Roller	C0422000M00	

For additional non-listed components, please contact ITM or the ITM Dealer nearest to you.

KOMATSU

Brand	Machine Model	Chain Pitch (mm)
KOMATSU	PC100L-5 PC100L-6	190,00
Description	ITM P/N	
Track Group	K15693F1M43800	
Track Chain	E15698B1M00043	
Track Shoe	Z7623300N0800V	
Track Roller	A40200G0M00	
Carrier Roller	C40201A0M00	
KOMATSU	PC100L-1 PC100L-2	175,00
Description	ITM P/N	
Track Group	K40503F0M44760	
Track Chain	E4050001M00044	
Track Shoe	Z4050300N0760V	
Track Roller	A40200L0M00	
Carrier Roller	C40201A0M00	
KOMATSU	PC150-1 PC150-3	175,00
Description	ITM P/N	
Track Group	K40503F0M43510	
Track Group	K40503F0M44510	
Track Chain	E4050001M00043	
Track Chain	E4050001M00044	
Track Shoe	Z4050300N0510V	
Track Roller	A40200L0M00	
Carrier Roller	C40201A0M00	
Idler	PV0154A0M00	
KOMATSU	PC150-5	190,00
Description	ITM P/N	
Track Group	K15693F1M41500	
Track Chain	E15698B1M00041	
Track Shoe	Z7623300N0500V	
Track Roller	A40200G0M00	
Carrier Roller	C40201A0M00	
Idler	PV0154A0M00	
KOMATSU	PC150HD-5	190,00
Description	ITM P/N	
Track Group	K15693F1M45600	
Track Chain	E15698B1M00045	
Track Shoe	Z7623300N0600V	
Track Roller	A40200G0M00	
Carrier Roller	C40201A0M00	
Sprocket	R4022000M01	
Idler	P4022400N00	
KOMATSU	PC150LC-1 PC150LC-3	175,00
Description	ITM P/N	
Track Group	K40503F0M47460	
Track Group	K40503F0M49510	
Track Chain	E4050001M00047	
Track Chain	E4050001M00049	
Track Shoe	Z4050300N0460V	
Track Shoe	Z4050300N0510V	
Track Roller	A40200G0M00	
Track Roller	A40200L0M00	
Carrier Roller	C40201A0M00	
Idler	PV0154A0M00	

Brand	Machine Model	Chain Pitch (mm)
KOMATSU	PC150LC-5	190,00
Description	ITM P/N	
Track Group	K15693F1M43500	
Track Chain	E15698B1M00043	
Track Shoe	Z7623300N0500V	
Track Roller	A40200G0M00	
Carrier Roller	C40201A0M00	
Idler	P4020400N00	
KOMATSU	PC150NHD-5	190,00
Description	ITM P/N	
Track Group	K15693F1M45600	
Track Chain	E15698B1M00045	
Track Shoe	Z7623300N0600V	
Track Roller	A40200G0M00	
Carrier Roller	C40201A0M00	
Sprocket	R4022000M01	
Idler	P4022400N00	
KOMATSU	PC200 - PC200EL PC200EN	190,00
Description	ITM P/N	
Track Group	K15693F1M45500	
Track Group	K15693F1M45600	
Track Chain	E15698B1M00045	
Track Shoe	Z7623300N0500V	
Track Shoe	Z7623300N0600V	
Track Roller	A40200G0M00	
Track Roller	A40200L0M00	
Carrier Roller	C40201A0M00	
Sprocket	Q0119000M01	
Sprocket	R4020000M01	
Sprocket	R4022000M01	
Idler	PV0154A0M00	
Idler	P4022400N00	
Idler grp w/recoil+tension grp	P4022200N00	
KOMATSU	PC200LC	190,00
Description	ITM P/N	
Track Group	K15693F1M49600	
Track Group	K1569300M49610	
Track Group	K1569300M49700	
Track Group	K15693F1M49700	
Track Chain	E40207C0M00049	
Track Shoe	Z7623300N0600V	
Track Shoe	Z32123A1N0610V	
Track Shoe	Z32123A1N0700V	
Track Roller	A40200G0M00	
Track Roller	A40200L0M00	
Carrier Roller	C40201A0M00	
Sprocket	R4020000M01	
Sprocket	R4022000M01	
Sprocket	Q0119000M01	
Idler	PV0154A0M00	
Idler	P4022400N00	
Idler Grp w/recoil+tension grp	P4022200N00	
KOMATSU	PC250 - PC250LC	203,20
Description	ITM P/N	
Track Group	K40303M0M45600	
Track Group	K40303M0M48700	
Track Chain	E40308M0M00045	
Track Chain	E40308M0M00048	
Track Shoe	ZV0303J0N0600V	
Track Shoe	ZV0303J0N0700V	
Track Roller	A40300B0M00	
Carrier Roller	C40301B0M00	
Idler	P40304B0M00	

Brand	Machine Model	Chain Pitch (mm)
KOMATSU	PC300-1 PC300-2 PC300-3 PC300-5	203,20
Description	ITM P/N	
Track Group	K40303A0M45610	
Track Group	K40303M0M47500	
Track Group	K40303M0M47600	
Track Chain	E40308L0M00045	
Track Chain	E40308M0M00047	
Track Shoe	ZV0303J0N0500V	
Track Shoe	ZV0303J0N0600V	
Track Shoe	Z40303L0N0610V	
Track Roller	A4030000M00	
Carrier Roller	C40301B0M00	
Sprocket	R4030000M01	
Idler	P4030400M00	
Idler	P40304B0M00	
KOMATSU	PC300-6 PC300-7	216,00
Description	ITM P/N	
Track Group	K40303D1M45600	
Track Chain	E40306C1M00045	
Track Shoe	Z40303M0N0600V	
Track Roller	A40300B0M00	
Carrier Roller	C40301B0M00	
Sprocket	R40300A0M01	
Idler	P40304B0M00	
KOMATSU	PC300HD	216,00
Description	ITM P/N	
Track Group	K40403C0M49700	
Track Chain	E40407C0M00049	
Track Shoe	Z40403B0N0700V	
Track Roller	A4040000M00	
Carrier Roller	C40301B0M00	
Sprocket	R4040000M01	
KOMATSU	PC300LC-7	216,00
Description	ITM P/N	
Track Group	K40303D1M48600	
Track Chain	E40306C1M00048	
Track Shoe	Z40303M0N0600V	
Track Roller	A40300B0M00	
Sprocket	R40300A0M01	
Idler	P40304B0M00	
KOMATSU	PC300LC-1 PC300LC-2	203,20
Description	ITM P/N	
Track Group	K40303A0M51710	
Track Chain	E40308L0M00051	
Track Shoe	Z40303L0N0710V	
Track Roller	A4030000M00	
Carrier Roller	C40301B0M00	
KOMATSU	PC300LC-3	203,20
Description	ITM P/N	
Track Group	K40303M0M51610	
Track Chain	E40308M0M00051	
Track Shoe	ZV0303J0N0610V	
Track Roller	A4030000M00	
Carrier Roller	C40301B0M00	
Sprocket	R4030000M01	
Idler	P4030400M00	

Brand	Machine Model	Chain Pitch (mm)
KOMATSU	PC300LC-5	203,20
Description	ITM P/N	
Track Group	K40303M0M50700	
Track Chain	E40308M0M00050	
Track Shoe	ZV0303J0N0700V	
Track Roller	A40300B0M00	
Carrier Roller	C40301B0M00	
Sprocket	R4030000M01	
Idler	P40304B0M00	
KOMATSU	PC300LC-6	216,00
Description	ITM P/N	
Track Group	K40303D1M48600	
Track Chain	E40306C1M00048	
Track Shoe	Z40303M0N0600V	
Track Roller	A40300B0M00	
Carrier Roller	C40301B0M00	
Sprocket	R40300A0M01	
Idler	P40304B0M00	
KOMATSU	PC300NLC-3	203,20
Description	ITM P/N	
Track Group	K40303M0M51610	
Track Chain	E40308M0M00051	
Track Shoe	ZV0303J0N0610V	
Track Roller	A4030000M00	
Carrier Roller	C40301B0M00	
Sprocket	R4030000M01	
Idler	P4030400M00	
KOMATSU	PC300NLC-5	203,20
Description	ITM P/N	
Track Group	K40303M0M50700	
Track Chain	E40308M0M00050	
Track Shoe	ZV0303J0N0700V	
Track Roller	A40300B0M00	
Carrier Roller	C40301B0M00	
Sprocket	R4030000M01	
Idler	P40304B0M00	
KOMATSU	PC400-1	216,00
Description	ITM P/N	
Track Group	K40403E0M46610	
Track Chain	E40407E0M00046	
Track Shoe	Z04203T0N0610V	
Carrier Roller	C40301B0M00	
KOMATSU	PC400-3	216,00
Description	ITM P/N	
Track Group	K40403C0M49600	
Track Chain	E40407C0M00049	
Track Shoe	Z40403B0N0600V	
Carrier Roller	C40301B0M00	
Sprocket	R4040000M01	
KOMATSU	PC400-5	216,00
Description	ITM P/N	
Track Group	K40403C0M49600	
Track Chain	E40407C0M00049	
Track Shoe	Z40403B0N0600V	
Track Roller	A4040000M00	
Carrier Roller	C40301B0M00	
Sprocket	R4040000M01	
Idler	P4040400M00	

For additional non-listed components, please contact ITM or the ITM Dealer nearest to you.

Brand	Machine Model	Chain Pitch (mm)
KOMATSU	PC400-6 PC400-7	228,60
Description	ITM P/N	
Track Chain	E40407D1M00046	
Track Roller	A4040000M00	
Sprocket	R40400A0M01	
Idler	P4040400M00	
KOMATSU	PC400HD	216,00
Description	ITM P/N	
Track Group	K40403C0M52750	
Track Chain	E40407C0M00052	
Track Shoe	Z40403B0N0750V	
Track Roller	A4040000M00	
Carrier Roller	C40301B0M00	
Sprocket	R4040000M01	
KOMATSU	PC400LC-3	216,00
Description	ITM P/N	
Track Group	K40403C0M53610	
Track Chain	E40407C0M00053	
Track Shoe	Z40403B0N0610V	
Carrier Roller	C40301B0M00	
Sprocket	R4040000M01	
KOMATSU	PC400LC-5	216,00
Description	ITM P/N	
Track Group	K40403C0M52750	
Track Chain	E40407C0M00052	
Track Shoe	Z40403B0N0750V	
Track Roller	A4040000M00	
Carrier Roller	C40301B0M00	
Sprocket	R4040000M01	
Idler	P4040400M00	
KOMATSU	PC400LC-1	216,00
Description	ITM P/N	
Track Group	K40403E0M52610	
Track Chain	E40407E0M00052	
Track Shoe	Z04203T0N0610V	
Carrier Roller	C40301B0M00	
KOMATSU	PC400LC-6 PC400LC-7	228,60
Description	ITM P/N	
Track Chain	E40407D1M00049	
Track Roller	A4040000M00	
Sprocket	R40400A0M01	
Idler	P4040400M00	
KOMATSU	PC600LC-6 PC600LC-7	228,60
Description	ITM P/N	
Track Chain	E71557A0M00052	
Track Shoe	Z7155300N0600V	
Track Roller	A7655001M00	
Carrier Roller	C76500A0M00	
KOMATSU	PC750-6 PC750-7	260,40
Description	ITM P/N	
Track Group	K40352A0M47610	
Track Chain	E40350A0M00047	
Track Shoe	Z7670200N0610V	

Brand	Machine Model	Chain Pitch (mm)
KOMATSU	PC750LC-6 PC750LC-7	260,40
Description	ITM P/N	
Track Group	K40352A0M51810	
Track Chain	E40350A0M00051	
Track Shoe	Z7670200N0810V	
KOMATSU	PC750SE-6 PC750SE-7	260,40
Description	ITM P/N	
Track Group	K40352A0M47610	
Track Chain	E40350A0M00047	
Track Shoe	Z7670200N0610V	

Brand	Machine Model/Series	Chain Pitch (mm)
LIEBHERR	R310	155,60
Description	ITM P/N	
Track Group	L01023A0M42500	
Track Chain	F01020A0M00042	
Track Shoe	Z01023A0N0500V	
Track Roller	A72020B0M00	
LIEBHERR	R310B - R310LC	171,10
Description	ITM P/N	
Track Group	L32063C0M48500	
Track Chain	F32068A0M00048	
Track Shoe	Z14043A0N0500V	
Track Roller	A1404000M00	
Carrier Roller	C0104100M00	
Sprocket	R4912000M01	
Idler	P4911400M00	
Idler Grp w/recoil+tension grp	P49112A0M00	
LIEBHERR	R312	171,10
Description	ITM P/N	
Track Group	L32063C0M48500	
Track Chain	F32068A0M00048	
Track Shoe	Z14043A0N0500V	
Track Roller	A1404000M00	
Carrier Roller	C0104100M00	
Sprocket	R4912000M01	
Idler	P4911400M00	
Idler Grp w/recoil+tension grp	P49112A0M00	
LIEBHERR	R900	155,60
Description	ITM P/N	
Track Group	L01023A0M41400	
Track Chain	F01020A0M00041	
Track Shoe	Z01023A0N0400V	
Track Roller	A72020B0M00	
Track Roller / Carrier Roller	A72020B0M00	
Sprocket	Q01030A0M01	
Idler	P14034A0M00	
Idler Grp w/recoil+tension grp	P1402200M00	
LIEBHERR	R900	171,10
Description	ITM P/N	
Track Group	L3206300M51500	
Track Chain	F3206800M00051	
Track Shoe	Z15493A0N0500V	
Track Roller	A1404000M00	
Carrier Roller	C0104100M00	
Sprocket	R49120A0M01	
Idler	P4911400M00	
Idler Grp w/recoil+tension grp	P49112A0M00	
LIEBHERR	R900B	171,10
Description	ITM P/N	
Track Group	L32063C0M44500	
Track Chain	F32068A0M00044	
Track Shoe	Z14043A0N0500V	
Track Roller	A32060B0M00	
Carrier Roller	C0104100M00	
Idler	P32064A0M00	

Brand	Machine Model/Series	Chain Pitch (mm)
LIEBHERR	R900BLC	171,10
Description	ITM P/N	
Track Group	L32063C0M48500	
Track Chain	F32068A0M00048	
Track Shoe	Z14043A0N0500V	
Track Roller	A1404000M00	
Carrier Roller	C0104100M00	
Sprocket	R4902001M01	
Idler	P4911400M00	
Idler Grp w/recoil+tension grp	P49112A0M00	
LIEBHERR	R900HD	190,00
Description	ITM P/N	
Track Group	K1569300M46500	
Track Chain	E1569801M00046	
Track Shoe	Z32123A1N0500V	
Track Roller	A1405000M00	
Carrier Roller	C15690E1M00	
LIEBHERR	R900LC	155,60
	FIRST TYPE	
Description	ITM P/N	
Track Group	L01023A0M51500	
Track Chain	F01020A0M00051	
Track Shoe	Z01023A0N0500V	
Track Roller	A72020B0M00	
Track Roller / Carrier Roller	A72020B0M00	
Idler	P14034A0M00	
Idler Grp w/recoil+tension grp	P1402200M00	
LIEBHERR	R900LC	171,10
	SECOND TYPE	
Description	ITM P/N	
Track Group	L32063C0M48500	
Track Chain	F32068A0M00048	
Track Shoe	Z14043A0N0500V	
Track Roller	A1404000M00	
Carrier Roller	C0104100M00	
Sprocket	Q4911000M01	
Idler	P4911400M00	
Idler Grp w/recoil+tension grp	P49112A0M00	
LIEBHERR	R901 - R901B	155,60
Description	ITM P/N	
Track Group	L01023A0M41400	
Track Chain	F01020A0M00041	
Track Shoe	Z01023A0N0400V	
Track Roller	A72020B0M00	
Track Roller / Carrier Roller	A72020B0M00	
Sprocket	Q01030A0M01	
Idler	P14034A0M00	
Idler Grp w/recoil+tension grp	P1402200M00	
LIEBHERR	R901BLC	155,60
Description	ITM P/N	
Track Group	L01023A0M51500	
Track Chain	F01020A0M00051	
Track Shoe	Z01023A0N0500V	
Track Roller	A72020B0M00	
Track Roller / Carrier Roller	A72020B0M00	
Sprocket	Q01030A0M01	
Idler	P14034A0M00	
Idler Grp w/recoil+tension grp	P1402200M00	

For additional non-listed components, please contact ITM or the ITM Dealer nearest to you.

Brand	Machine Model/Series	Chain Pitch (mm)
LIEBHERR	R901C	171,10
Description	ITM P/N	
Track Group	L32063C0M47500	
Track Chain	F32068A0M00047	
Track Shoe	Z14043A0N0500V	
Track Roller	A1404000M00	
Carrier Roller	C0104100M00	
Sprocket	Q4911000M01	
Idler	P4911400M00	
LIEBHERR	R901LC	155,60
Description	ITM P/N	
Track Group	L01023A0M51500	
Track Chain	F01020A0M00051	
Track Shoe	Z01023A0N0500V	
Track Roller	A72020B0M00	
Track Roller / Carrier Roller	A72020B0M00	
Sprocket	Q01030A0M01	
Idler	P14034A0M00	
Idler Grp w/recoil+tension grp	P1402200M00	
LIEBHERR	R902 - R902B	171,10
Description	ITM P/N	
Track Group	L3206300M51500	
Track Chain	F3206800M00051	
Track Shoe	Z15493A0N0500V	
Track Roller	A1404000M00	
Carrier Roller	C0104100M00	
Sprocket	R4902001M01	
Idler	P4911400M00	
Idler Grp w/recoil+tension grp	P49112A0M00	
LIEBHERR	R902HD	190,00
Description	ITM P/N	
Track Group	K1569300M46500	
Track Chain	E1569801M00046	
Track Shoe	Z32123A1N0500V	
Track Roller	A1405000M00	
Carrier Roller	C15690E1M00	
LIEBHERR	R902HDLC	190,00
Description	ITM P/N	
Track Group	K15693F1M50500	
Track Chain	E15698B1M00050	
Track Shoe	Z7623300N0500V	
Track Roller	A1405000M00	
Carrier Roller	C15690E1M00	
Idler	PV900400N00	
LIEBHERR	R902HDSL	190,00
Description	ITM P/N	
Track Group	K1569300M50500	
Track Chain	E1569801M00050	
Track Shoe	Z32123A1N0500V	
Track Roller	A1405000M00	
Carrier Roller	C15690E1M00	
Idler	PV900400N00	
LIEBHERR	R902LC	171,10
Description	ITM P/N	
Track Group	L32063C0M48500	
Track Chain	F32068A0M00048	
Track Shoe	Z14043A0N0500V	
Track Roller	A1404000M00	
Carrier Roller	C0104100M00	
Sprocket	Q4911000M01	
Sprocket	R4902001M01	
Idler	P4911400M00	
Idler Grp w/recoil+tension grp	P49112A0M00	

Brand	Machine Model/Series	Chain Pitch (mm)
LIEBHERR	R911	155,60
	FIRST TYPE	
Description	ITM P/N	
Track Group	L01023A0M41400	
Track Chain	F01020A0M00041	
Track Shoe	Z01023A0N0400V	
Track Roller	A72020B0M00	
Track Roller / Carrier Roller	A72020B0M00	
Sprocket	Q01030A0M01	
Idler	P14034A0M00	
Idler Grp w/recoil+tension grp	P1402200M00	
LIEBHERR	R911	171,10
	SECOND TYPE	
Description	ITM P/N	
Track Group	L32063C0M39500	
Track Chain	F32068A0M00039	
Track Shoe	Z14043A0N0500V	
Track Roller	A1404000M00	
Track Roller / Carrier Roller	A1404000M00	
Sprocket	Q1404000M01	
Idler	P2190400M00	
Idler Grp w/recoil+tension grp	P1404200M00	
LIEBHERR	R911B	171,10
Description	ITM P/N	
Track Group	L32063C0M41500	
Track Chain	F32068A0M00041	
Track Shoe	Z14043A0N0500V	
Track Roller	A1404000M00	
Carrier Roller	C0104100M00	
Sprocket	Q1404000M01	
Idler	P2190400M00	
Idler Grp w/recoil+tension grp	P1404200M00	
LIEBHERR	R911BLC	171,10
Description	ITM P/N	
Track Group	L32063C0M51500	
Track Chain	F32068A0M00051	
Track Shoe	Z14043A0N0500V	
Track Roller	A1404000M00	
Carrier Roller	C0104100M00	
Sprocket	Q1404000M01	
Idler	P2190400M00	
Idler Grp w/recoil+tension grp	P1404200M00	
LIEBHERR	R911C	171,10
Description	ITM P/N	
Track Group	L32063C0M45500	
Track Chain	F32068A0M00045	
Track Shoe	Z14043A0N0500V	
Track Roller	A1404000M00	
Carrier Roller	C0104100M00	
Sprocket	Q4911000M01	
Idler	P4911400M00	
Idler Grp w/recoil+tension grp	P49112A0M00	
LIEBHERR	R911CHD	171,10
Description	ITM P/N	
Track Group	L14063D0M49500	
Track Chain	F14068D0M00049	
Track Shoe	Z14063A0N0500V	
Track Roller	A1405000M00	
Carrier Roller	C0105100M00	
Sprocket	Q4941000M01	
Idler	P1405400M00	

Brand	Machine Model/Series	Chain Pitch (mm)
LIEBHERR	R911CLC	171,10
Description	ITM P/N	
Track Group	L32063C0M51500	
Track Chain	F32068A0M00051	
Track Shoe	Z14043A0N0500V	
Track Roller	A1404000M00	
Carrier Roller	C0104100M00	
Sprocket	Q4911000M01	
Idler	P4911400M00	
Idler Grp w/recoil+tension grp	P49112A0M00	
LIEBHERR	R911HD	171,10
Description	ITM P/N	
Track Group	L32063C0M39500	
Track Chain	F32068A0M00039	
Track Shoe	Z14043A0N0500V	
Track Roller	A1404000M00	
Track Roller / Carrier Roller	A1404000M00	
Sprocket	Q1404000M01	
Idler	P2190400M00	
Idler Grp w/recoil+tension grp	P1404200M00	
LIEBHERR	R911LC	155,60
Description	ITM P/N	
Track Group	L01023A0M51500	
Track Chain	F01020A0M00051	
Track Shoe	Z01023A0N0500V	
Track Roller	A72020B0M00	
Track Roller / Carrier Roller	A72020B0M00	
Sprocket	Q01030A0M01	
Idler	P14034A0M00	
Idler Grp w/recoil+tension grp	P1402200M00	
LIEBHERR	R911LC	171,10
Description	ITM P/N	
Track Group	L32063C0M51500	
Track Chain	F32068A0M00051	
Track Shoe	Z14043A0N0500V	
Track Roller	A1404000M00	
Track Roller / Carrier Roller	A1404000M00	
Sprocket	Q1404000M01	
Idler	P2190400M00	
Idler Grp w/recoil+tension grp	P1404200M00	
LIEBHERR	R914	190,00
Description	ITM P/N	
Track Group	K1569300M46500	
Track Chain	E1569801M00046	
Track Shoe	Z32123A1N0500V	
Track Roller	A1405000M00	
Carrier Roller	C15690E1M00	
LIEBHERR	R914HDSL	190,00
Description	ITM P/N	
Track Group	K1569300M50600	
Track Chain	E1569801M00050	
Track Shoe	Z32123A1N0600V	
Track Roller	A1405000M00	
Carrier Roller	C15690E1M00	
Idler	PV9124C0N00	

Brand	Machine Model/Series	Chain Pitch (mm)
LIEBHERR	R922	171,10
Description	ITM P/N	
Track Group	L32063C0M48500	
Track Chain	F32068A0M00048	
Track Shoe	Z14043A0N0500V	
Track Roller	A1404000M00	
Carrier Roller	C0104100M00	
Sprocket	Q4911000M01	
Idler	P4911400M00	
Idler Grp w/recoil+tension grp	P49112A0M00	
LIEBHERR	R922	171,10
Description	ITM P/N	
Track Group	L3206300M48500	
Track Chain	F3206800M00048	
Track Shoe	Z15493A0N0500V	
Track Roller	A1404000M00	
Carrier Roller	C0104100M00	
Idler	P4911400M00	
Idler Grp w/recoil+tension grp	P49112A0M00	
LIEBHERR	R922HD	171,10
Description	ITM P/N	
Track Group	L14063D0M52500	
Track Chain	F14068D0M00052	
Track Shoe	Z14063A0N0500V	
Track Roller	A1405000M00	
Carrier Roller	C0105100M00	
Sprocket	Q4911000M01	
Idler	P1405400M00	
LIEBHERR	R922HD	171,10
Description	ITM P/N	
Track Group	L14063D0M52500	
Track Chain	F14068D0M00052	
Track Shoe	Z14063A0N0500V	
Track Roller	A1405000M00	
Carrier Roller	C0105100M00	
Sprocket	Q4911000M01	
Idler Grp w/recoil+tension grp	P1405400M00	
LIEBHERR	R922HDSL	190,00
Description	ITM P/N	
Track Group	K15693F1M50500	
Track Chain	E15698B1M00050	
Track Shoe	Z7623300N0500V	
Track Roller	A1405000M00	
Carrier Roller	C15690E1M00	
Idler	PV900400N00	
LIEBHERR	R922LC	171,10
Description	ITM P/N	
Track Group	L3206300M55600	
Track Chain	F3206800M00055	
Track Shoe	Z15493A0N0600V	
Track Roller	A1404000M00	
Carrier Roller	C0104100M00	
Sprocket	Q4911000M01	
Idler	P4911400M00	
Idler Grp w/recoil+tension grp	P49112A0M00	

For additional non-listed components, please contact ITM or the ITM Dealer nearest to you.

Brand	Machine Model/Series	Chain Pitch (mm)
LIEBHERR	R922LC	171,10
	00101-03000	
Description	ITM P/N	
Track Group	L32063C0M55500	
Track Chain	F32068A0M00055	
Track Shoe	Z14043A0N0500V	
Track Roller	A1404000M00	
Carrier Roller	C0104100M00	
Sprocket	Q4911000M01	
Idler	P4911400M00	
Idler Grp w/recoil+tension grp	P49112A0M00	
LIEBHERR	R924	190,00
Description	ITM P/N	
Track Group	K1569300M51600	
Track Chain	E1569801M00051	
Track Shoe	Z32123A1N0600V	
Track Roller	A1405000M00	
Carrier Roller	C15690E1M00	
Idler	PV9124C0N00	
Idler Grp w/recoil+tension grp	PR332400N00	
LIEBHERR	R934C	190,00
Description	ITM P/N	
Track Group	K40203H1M47600	
Track Chain	E40207B1M00047	
Track Shoe	Z7623300N0600V	
Track Roller	A1405000M00	
Carrier Roller	C15690E1M00	
LIEBHERR	R934HDS	190,00
Description	ITM P/N	
Track Group	K15693F1M52600	
Track Chain	E15698B1M00052	
Track Shoe	Z7623300N0600V	
Track Roller	A1405000M00	
Carrier Roller	C15690E1M00	
LIEBHERR	R934HDSL	190,00
Description	ITM P/N	
Track Group	K15693F1M52600	
Track Chain	E15698B1M00052	
Track Shoe	Z7623300N0600V	
Track Roller	A1405000M00	
Carrier Roller	C15690E1M00	
LIEBHERR	R944C	202,80
Description	ITM P/N	
Track Group	K01073G0M51600	
Track Chain	E0107600M00051	
Track Shoe	Z01073H1N0600V	
Track Roller	A14060E0M00	
Carrier Roller	C14070B1M00	
Idler	PV9444B0N00	
LIEBHERR	R944HDS	202,80
Description	ITM P/N	
Track Group	L32203P0M51600	
Track Chain	F32208B0M00051	
Track Shoe	Z01073H1N0600V	
Track Roller	A14060A0M00	
LIEBHERR	R954C-HD	215,90
Description	ITM P/N	
Track Group	LY4073S0M52500	
Track Chain	FY407800M00052	
Track Shoe	Z01073H1N0500V	
Track Roller	A14060A0M00	
Carrier Roller	C0107100M00	
Sprocket	Q2535000M01	
Idler	P5020400M00	

Brand	Machine Model/Series	Chain Pitch (mm)
LIEBHERR	R954C S-HD	228,60
Description	ITM P/N	
Track Group	KZ1353N0M52600	
Track Chain	EZ1356B1M00052	
Track Shoe	Z01353A0N0600V	
Track Roller	A14060E0M00	
Carrier Roller	C14071C1Y00	
Idler	PV9544B0Y00	
LIEBHERR	R954HD	215,90
Description	ITM P/N	
Track Group	LY4083F0M49500	
Track Chain	FY4088A0M00049	
Track Shoe	ZY4083A0N0500V	
Track Roller	A1408000M00	
Carrier Roller	C0108100M00	
Idler	PV954400Y00	
LIEBHERR	R954HDEW	228,60
Description	ITM P/N	
Track Group	LY4083F0M49500	
Track Chain	FY4088A0M00049	
Track Shoe	ZY4083A0N0500V	
Track Roller	A1408000M00	
Carrier Roller	C0108100M00	
Idler	PV954400Y00	
LIEBHERR	R954HDS	228,60
Description	ITM P/N	
Track Group	LY4083F0M46500	
Track Chain	FY4088A0M00046	
Track Shoe	ZY4083A0N0500V	
Track Roller	A1408000M00	
Carrier Roller	C0108100M00	
Idler	PV954400Y00	
LIEBHERR	R954HDW	215,90
Description	ITM P/N	
Track Group	LY4073S0M52500	
Track Chain	FY407800M00052	
Track Shoe	Z01073H1N0500V	
Track Roller	A14060A0M00	
Carrier Roller	C14070B1M00	
Sprocket	R4954000M01	
Idler	PV9544B0Y00	
LIEBHERR	R974	228,60
	FIRST TYPE	
Description	ITM P/N	
Track Group	LY4083H0M52500	
Track Chain	FY4088C0M00052	
Track Shoe	ZY408300N0500V	
Track Roller	A1408000M00	
Carrier Roller	C0108100M00	
Idler	PV974400M00	
LIEBHERR	R974	260,30
	00303-UP	
Description	ITM P/N	
Track Group	K0145200M46600	
Track Chain	E0145800M00046	
Track Shoe	ZY4892A0N0600V	
Track Roller	A1408000M00	
Carrier Roller	C0108100M00	
Sprocket	R4974000M01	
Idler	PV9744B0Y00	

Brand	Machine Model/Series	Chain Pitch (mm)
LIEBHERR	R974 LONG	260,30
Description	ITM P/N	
Track Group	K0145200M51600	
Track Chain	E0145800M00051	
Track Shoe	ZY4892A0N0600V	
Track Roller	A1408000M00	
Carrier Roller	C0108100M00	
Sprocket	R4974000M01	
Idler	PV9744B0Y00	
LIEBHERR	R974	228,60
	SECOND TYPE	
	UP TO-00299	
Description	ITM P/N	
Track Group	LY4083H0M56500	
Track Chain	FY4088C0M00056	
Track Shoe	ZY408300N0500V	
Track Roller	A1408000M00	
Carrier Roller	C0108100M00	
Idler	PV974400M00	
LIEBHERR	R974	228,60
	SECOND TYPE	
	00300-00302	
Description	ITM P/N	
Track Group	LY4083H0M56500	
Track Chain	FY4088C0M00056	
Track Shoe	ZY408300N0500V	
Track Roller	A1408000M00	
Carrier Roller	C0108100M00	
Idler	PV974400M00	
LIEBHERR	R974B	260,40
Description	ITM P/N	
Track Group	K0145200M46600	
Track Chain	E0145800M00046	
Track Shoe	ZY4892A0N0600V	
Track Roller	A1408000M00	
Carrier Roller	C4909000Y00	
Sprocket	R4974000M01	
Idler	PV9744B0Y00	
LIEBHERR	R974BHD	260,40
Description	ITM P/N	
Track Group	K0145200M46600	
Track Chain	E0145800M00046	
Track Shoe	ZY4892A0N0600V	
Track Roller	A1408000M00	
Carrier Roller	C4909000Y00	
Idler	PV9744B0Y00	
LIEBHERR	R974BHDSL	260,40
Description	ITM P/N	
Track Group	K0145200M51600	
Track Chain	E0145800M00051	
Track Shoe	ZY4892A0N0600V	
Track Roller	A1408000M00	
Carrier Roller	C4909000Y00	
Idler	PV9744B0Y00	
LIEBHERR	R974C HDSL	260,40
Description	ITM P/N	
Track Group	LY4892F0Y51600	
Track Chain	FY4898F0Y00051	
Track Shoe	ZY4892G0N0600V	
Track Roller	A1408000M00	
Carrier Roller	C4909000Y00	
Idler	PV9744B0Y00	

Brand	Machine Model/Series	Chain Pitch (mm)
LIEBHERR	R974C HD	260,40
Description	ITM P/N	
Track Group	LY4892F0Y47600	
Track Chain	FY4898F0Y00047	
Track Shoe	ZY4892G0N0600V	
Track Roller	A1408000M00	
Carrier Roller	C4909000Y00	
Idler	PV9744B0Y00	
LIEBHERR	R974C S-HD	260,40
Description	ITM P/N	
Track Group	L1409200M52600	
Track Chain	F14098B0M00052	
Track Shoe	ZY4092C0N0600V	
Track Roller	A1409000M00	
Carrier Roller	C01091E0M00	
Idler	PV9844A0Y00	

For additional non-listed components, please contact ITM or the ITM Dealer nearest to you.

Brand	Machine Model/Series	Chain Pitch (mm)
VOLVO	EC130 - EC130C	171,10
Description	ITM P/N	
Track Group	L3206300M47600	
Track Chain	F3206800M00047	
Track Shoe	Z15493A0N0600V	
Track Roller	A32060B0M00	
Idler	P32064A0M00	
VOLVO	EC140	171,10
Description	ITM P/N	
Track Group	L14043N0M42600	
Track Chain	F14048B3M00042	
Track Shoe	Z15493A0N0600V	
Track Roller	A32090A0M00	
Sprocket	R9314000M01	
Idler	PY4044F0M00	
VOLVO	EC140LCM EC140BLCM	171,10
Description	ITM P/N	
Track Group	K1569300M42600	
Track Chain	E1569801M00042	
Track Shoe	Z32123A1N0600V	
Track Roller	A1405000M00	
Carrier Roller	C9316100M00	
Sprocket	R93160A0M01	
Idler	PS922400M00	
VOLVO	EC140LC EC140BLC	171,10
Description	ITM P/N	
Track Group	L14043N0M46600	
Track Chain	F14048B3M00046	
Track Shoe	Z15493A0N0600V	
Track Roller	A32090A0M00	
Sprocket	R9314000M01	
VOLVO	EC150 - EC150C	171,10
	FIRST TYPE	
Description	ITM P/N	
Track Group	L3206300M47600	
Track Chain	F3206800M00047	
Track Shoe	Z15493A0N0600V	
Track Roller	A32060B0M00	
Idler	P32064A0M00	
VOLVO	EC150C	190,00
	SECOND TYPE	
Description	ITM P/N	
Track Chain	E76107B0M00049	
Track Shoe	Z14043A0N0600V	
Track Roller	A7610000M00	
Carrier Roller	C7615000M00	
VOLVO	EC160B - EC160LC EC160C	190,00
Description	ITM P/N	
Track Group	K1569300M44600	
Track Chain	E1569801M00044	
Track Shoe	Z32123A1N0600V	
Track Roller	A1405000M00	
Carrier Roller	C9316100M00	
Sprocket	R93160A0M01	
Idler	PS922400M00	

Brand	Machine Model/Series	Chain Pitch (mm)
VOLVO	EC160BNLC	190,00
Description	ITM P/N	
Track Group	K1569300M44500	
Track Chain	E1569801M00044	
Track Shoe	Z32123A1N0600V	
Track Roller	A1405000M00	
Carrier Roller	C9316100M00	
Sprocket	R93160A0M01	
Idler	PS922400M00	
VOLVO	EC180B EC180BLC	190,00
Description	ITM P/N	
Track Group	K1569300M46600	
Track Chain	E1569801M00046	
Track Shoe	Z32123A1N0600V	
Track Roller	A1405000M00	
Carrier Roller	C9316100M00	
Sprocket	R93160A0M01	
Idler	PS922400M00	
VOLVO	EC200 02101-02442	171,05
Description	ITM P/N	
Track Group	L14043N0M52600	
Track Chain	F14048B3M00052	
Track Shoe	Z15493A0N0600V	
Track Roller	A1404000M00	
Carrier Roller	C1404100M00	
Sprocket	R7320000M01	
Idler	PU013400M00	
VOLVO	EC200 02443-UP	171,05
Description	ITM P/N	
Track Group	L14043N0M52600	
Track Chain	F14048B3M00052	
Track Shoe	Z15493A0N0600V	
Track Roller	A1404000M00	
Carrier Roller	C1404100M00	
Idler	PU013400M00	
VOLVO	EC210B EC210CN	190,00
Description	ITM P/N	
Track Group	K15693F1M46600	
Track Chain	E15698B1M00046	
Track Shoe	Z7623300N0600V	
Track Roller	A1405000M00	
Carrier Roller	C9316100M00	
Sprocket	R93160A0M01	
Idler	PS922400M00	
VOLVO	EC210BLC EC210BNLC EC210CL EC210CLN EC210LC	190,00
Description	ITM P/N	
Track Group	K15693F1M46600	
Track Chain	E15698B1M00046	
Track Shoe	Z7623300N0600V	
Track Roller	A1405000M00	
Carrier Roller	C9316100M00	
Sprocket	R93160A0M01	
Idler	PS922400M00	

Brand	Machine Model/Series	Chain Pitch (mm)
VOLVO	EC229	190,00
Description	ITM P/N	
Track Group	K1569300M44650	
Track Chain	E1569801M00044	
Track Shoe	Z32123A1N0650V	
Track Roller	A1405000M00	
Carrier Roller	C14061A0M00	
Sprocket	Q0119000M01	
Idler	PY4054Q0M00	
VOLVO	EC230	190,00
	FIRST TYPE	
Description	ITM P/N	
Track Group	K1569300M50750	
Track Chain	E1569801M00050	
Track Shoe	Z32123A1N0750V	
Track Roller	A1405000M00	
Carrier Roller	C14061A0M00	
Idler	PY4054Q0M00	
VOLVO	EC230	190,00
	SECOND TYPE	
Description	ITM P/N	
Track Group	K15693F1M50600	
Track Chain	E15698B1M00050	
Track Shoe	Z7623300N0600V	
Track Roller	A1405000M00	
Carrier Roller	C15690E1M00	
Sprocket	Q0119000M01	
Idler	P15694E0M00	
VOLVO	EC230B	190,00
Description	ITM P/N	
Track Group	K15693F1M50600	
Track Chain	E15698B1M00050	
Track Shoe	Z7623300N0600V	
Track Roller	A1405000M00	
Carrier Roller	C15690E1M00	
Sprocket	R7323000M01	
Idler	P15694E0M00	
VOLVO	EC240LC	190,00
	EC240BLC	
Description	ITM P/N	
Track Group	K15693F1M51700	
Track Chain	E15698B1M00051	
Track Shoe	Z7623300N0700V	
Track Roller	A1405000M00	
Carrier Roller	C9316100M00	
Sprocket	R9324000M01	
Idler	PS922400M00	
VOLVO	EC240BNLC	190,00
	EC240NLC	
Description	ITM P/N	
Track Group	K15693F1M49600	
Track Chain	E40207C0M00049	
Track Shoe	Z7623300N0600V	
Track Roller	A1405000M00	
Carrier Roller	C9316100M00	
Sprocket	R9324000M01	
Idler	PS922400M00	

Brand	Machine Model/Series	Chain Pitch (mm)
VOLVO	EC280CHNS	202,80
Description	ITM P/N	
Track Group	L35093C0M49600	
Track Chain	F3509800M00049	
Track Shoe	Z35093A1N0600V	
Track Roller	A1405000M00	
Carrier Roller	C15690E1M00	
Idler	PQ324400N00	
VOLVO	EC280CHWL	202,80
Description	ITM P/N	
Track Group	L35093C0M51600	
Track Chain	F3509800M00051	
Track Shoe	Z35093A1N0600V	
Track Roller	A1405000M00	
Carrier Roller	C15690E1M00	
Sprocket	R14060H0M01	
Idler	PQ327400N00	
VOLVO	EC290BLC	203,20
	EC290LC	
	EC290NLC	
Description	ITM P/N	
Track Group	K40303A0M50700	
Track Chain	E40308L0M00050	
Track Shoe	Z40303L0N0700V	
Track Roller	A4030000M00	
Carrier Roller	C9329100M00	
Sprocket	R9329000M01	
Idler	P9329400M00	
VOLVO	EC290BNCL	203,20
Description	ITM P/N	
Track Group	K40303A0M48600	
Track Chain	E40308L0M00048	
Track Shoe	Z40303L0N0600V	
Track Roller	A4030000M00	
Carrier Roller	C9329100M00	
Sprocket	R9329000M01	
Idler	P9329400M00	
VOLVO	EC290CL	203,20
	EC290CLN	
Description	ITM P/N	
Track Group	K40303A0M50600	
Track Chain	E40308L0M00050	
Track Shoe	Z40303L0N0600V	
Track Roller	A4030000M00	
Carrier Roller	C9329100M00	
Sprocket	R9329000M01	
Idler	P9329400M00	
VOLVO	EC290CLR	203,20
Description	ITM P/N	
Track Group	K40303A0M50800	
Track Chain	E40308L0M00050	
Track Shoe	Z40303L0N0800V	
Track Roller	A4030000M00	
Carrier Roller	C9329100M00	
Sprocket	R9329000M01	
Idler	P9329400M00	

For additional non-listed components, please contact ITM or the ITM Dealer nearest to you.

Brand	Machine Model/Series	Chain Pitch (mm)
VOLVO	EC299	202,80
Description	ITM P/N	
Track Group	L32203P0M46650	
Track Chain	F32208B0M00046	
Track Shoe	Z01073H1N0650V	
Track Roller	A14060A0M00	
Carrier Roller	C14071A1M00	
Sprocket	Q14060A0M01	
Idler	PY4064A0M00	
VOLVO	EC300	202,80
Description	ITM P/N	
Track Group	L32203P0M53650	
Track Chain	F32208B0M00053	
Track Shoe	Z01073H1N0650V	
Track Roller	A14060A0M00	
Carrier Roller	C14071A1M00	
Sprocket	Q14060A0M01	
Idler	PY4064A0M00	
VOLVO	EC330B	215,90
Description	ITM P/N	
Track Group	KY4073A0M48600	
Track Chain	EY4078A0M00048	
Track Shoe	Z01353A0N0600V	
Track Roller	A140700AM00	
Carrier Roller	C9346100M00	
Sprocket	R9333000M01	
Idler	P5020400M00	
VOLVO	EC340	202,80
Description	ITM P/N	
Track Group	L32203P0M53600	
Track Chain	F32208B0M00053	
Track Shoe	Z01073H1N0600V	
Track Roller	A14060A0M00	
Carrier Roller	C7140000M00	
Idler	P7206400N00	
VOLVO	EC360C	215,90
	EC360BLC	
	EC360LC	
Description	ITM P/N	
Track Group	KY4073A0M50600	
Track Chain	EY4078A0M00050	
Track Shoe	Z01353A0N0600V	
Track Roller	A140700AM00	
Carrier Roller	C9346100M00	
Sprocket	R9333000M01	
Idler	P5020400M00	
VOLVO	EC360BNLC	215,90
	EC360NLC	
Description	ITM P/N	
Track Group	KY4073A0M48600	
Track Chain	EY4078A0M00048	
Track Shoe	Z01353A0N0600V	
Track Roller	A140700AM00	
Carrier Roller	C9346100M00	
Sprocket	R9333000M01	
Idler	P5020400M00	
VOLVO	EC390	215,90
Description	ITM P/N	
Track Group	KY4072A1M53600	
Track Chain	EY4078A0M00053	
Track Shoe	Z0135201N0600V	
Track Roller	A140700AM00	
Carrier Roller	C7140000M00	

Brand	Machine Model/Series	Chain Pitch (mm)
VOLVO	EC420	215,90
Description	ITM P/N	
Track Group	LY407350M49600	
Track Chain	FY407800M00049	
Track Shoe	ZY4063E1N0600V	
Track Roller	A14070D0M00	
Carrier Roller	C14071A1M00	
Sprocket	Q2535000M01	
Idler	P7342400Y00	
VOLVO	EC450	215,90
Description	ITM P/N	
Track Group	KZ135300M52600	
Track Chain	EZ1356D1M00052	
Track Shoe	Z7640300N0600V	
Track Roller	A140700AM00	
Carrier Roller	C7140000M00	
Sprocket	R14070H0M01	
VOLVO	EC460C - EC460LC	215,90
	EC460BLC	
Description	ITM P/N	
Track Group	KZ135300M52600	
Track Chain	EZ1356D1M00052	
Track Shoe	Z7640300N0600V	
Track Roller	A140700AM00	
Carrier Roller	C9346100M00	
Sprocket	R9346000M01	
Idler	P9346401M00	
VOLVO	EC620	228,60
Description	ITM P/N	
Track Group	LY4083H0M53800	
Track Chain	FY4088C0M00053	
Track Shoe	ZY408300N0800V	
Track Roller	A1408000M00	
Idler	PV974400M00	
VOLVO	EC650	260,40
Description	ITM P/N	
Track Group	K0145200M48800	
Track Chain	E0145800M00048	
Track Shoe	ZY4892A0N0800V	
VOLVO	EC650B	260,40
Description	ITM P/N	
Track Shoe	Z7670200N0650V	
Track Roller	A1680000M00	
Carrier Roller	C7670000M00	
VOLVO	EC700B	260,40
Description	ITM P/N	
Track Shoe	Z7670200N0650V	
Track Roller	A1680000M00	
Carrier Roller	C7670000M00	



Titan International

Quincy, IL, USA
 Bryan, OH, USA
 Des Moines, IA, USA
 Freeport, IL, USA
 Saltville, VA, USA

Titan Tire Corporation

Union City, TN, USA

Titan Pneus do Brasil Ltda

São Paulo, Brazil

Voltyre-Prom

Volgograd, Russia

Titan Mining Services (TMS)

SWT
 Saskatoon, SK, Canada

Titan Mining Services (TMS)

Titan Australia Pty Ltd
 Emerald, QLD, Australia
 Kalgoorlie, WA, Australia
 Karratha, WA, Australia
 Mildura, VIC, Australia

Muswellbrook, NSW, Australia

Perth, WA, Australia
 Port Hedland, WA, Australia
 Sydney, NSW, Australia
 Whyala, SA, Australia
 Yatala, QLD, Australia

Titan Mining Services (TMS)

PT Titan Wheels Indonesia
 Jakarta, Indonesia

Titan Mining Services (TMS)

Titan Wheels South Africa (Pty) Ltd
 Nuffield, Springs, SA

Titan Mining Services (TMS)

Aros del Pacifico S.A.C.
 Lima, Peru

Titan Mining Services (TMS)

Aros del Pacifico S.A.
 Santiago, Chile
 Iquique, Chile

Titan Steel Wheels Ltd

Kidderminster, UK

Titan Distribution (UK) Ltd

St. Helens, UK

Titan Italia SpA

Crespellano (BO), Italy
 Finale Emilia (MO), Italy
 Jesi (AN), Italy

Titan France SAS

Flers, France

Titan Asia A.S.

Aydin, Turkey

Wheels India Ltd

Tamilnadu, India
 (Minority Share)

Italtractor ITM SpA

Fanano (MO), Italy
 Ceprano (FR), Italy
 Potenza, Italy

Titan Intertractor GmbH

Gevelsberg, Germany

Pyrsa Piezas y Rodajes S.A.

Monreal del Campo
 (Teruel), Spain

Intertractor America Corp.

Elkhorn, WI, USA
 Winston-Salem, NC, USA

ITM Latin America Ltda

Atibaia, São Paulo, Brazil

ITM Track (Tianjin) Ltd

Tianjin, P.R. of China

Titan ITM (Tianjin) Co. Ltd

WDA Tianjin, P.R. of China

Titan ITM Japan Ltd

Yokohama, Japan