

MB CAP BUFFER MODULE

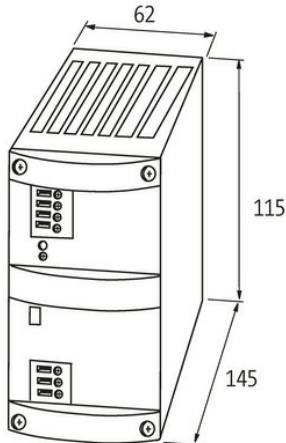
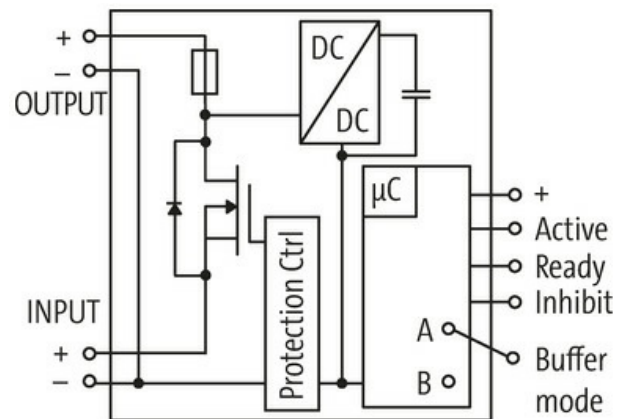
IN:23-30 VDC OUT:22-28VDC/20A for 200ms

INPUT: 24 V DC (SELV/PELV)

OUTPUT: max. 20 A
0.2 s (20 A); 4 s (1 A)

Link to Product

Illustration



Product may differ from Image



General data

Standards	EN 61000-6-2, EN 61000-6-3, EN 55022 B, EN 60950-1, SELV
Mounting method	DIN-rail mountable TH35 (EN 60715)
Temperature range	0...+70 °C (storage temperature -25...+85 °C)
Efficiency	95%

Output

Output voltage	24 V DC (22...28 V DC)
Parallel circuit	possible

The information in this brochure has been compiled with the utmost care.
Liability for the correctness completeness and topicality of the information is restricted to gross negligence. Version: 03/22

Current limit	26 A
Buffer time	0.2 s (20 A); 4 s (1 A)
Output current	max. 20 A (+70 °C)
Ripple	max. 200 mV ss/pp

Input

Input voltage	23...30 V DC (SELV/PELV)
Protection of voltage spikes	max. 35 V DC
Loading current	max. 500 mA
Loading time	20...45 s
Input current	85 mA

Commercial data

country of origin	CZ
customs tariff number	85322200
EAN	4048879000123
eClass	27049190
Packaging unit	1.000