

## MICO electronic circuit protection, 4 CHANNELS

IN: 24 V DC OUT: 24 V DC / 1-2-4-6 A

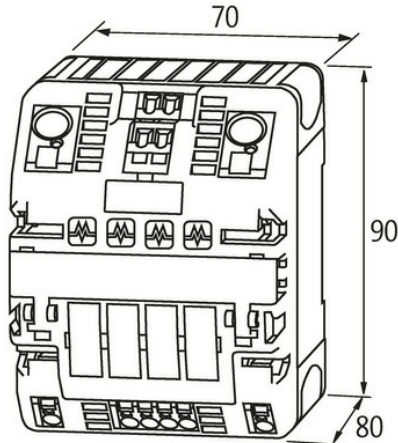
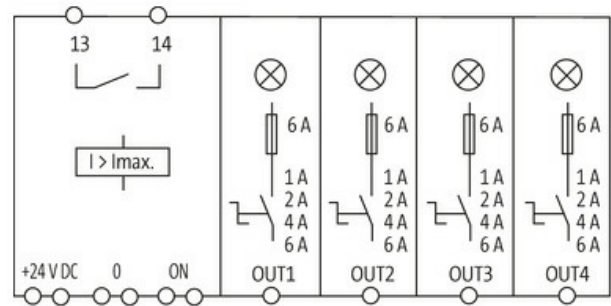
MICO 4.6

4 channels

Current adjustment 1, 2, 4, 6 A

### [Link to Product](#)

#### Illustration



Product may differ from Image



#### General data

Mounting method	DIN-rail mountable TH35 (EN 60715)
Temperature range	0...+55 °C (storage temperature -40...+80 °C)
Connection	Spring clamp terminals
Dimensions H×W×D	90×70×80 mm
Bridging concept	two sides, with spring clamp terminals or bridge set (max. 40 A)
Output terminals	per output 1 × 4 mm <sup>2</sup>
Input terminals	2 × 16 mm <sup>2</sup>

The information in this brochure has been compiled with the utmost care. Liability for the correctness completeness and topicality of the information is restricted to gross negligence. Version: 03/22

Alarm terminals 2.5 mm<sup>2</sup>

**Output**

Inrush capacity max. 20 mF (per channel)

Current adjustment 1 A, 2 A, 4 A, 6 A, by countersunk rotary switch, sealed

**Input**

Operating voltage 24 V DC (18...30 V DC)

**Control inputs**

Input voltage (ON) 10...30 V DC

Impulse length (ON) min. 20 ms

**Control outputs**

Group alarm output potential free 30 V AC/DC, 100 mA

**Commercial data**

country of origin CZ

customs tariff number 85363010

EAN 4048879000055

eClass 27371802

Packaging unit 1.000