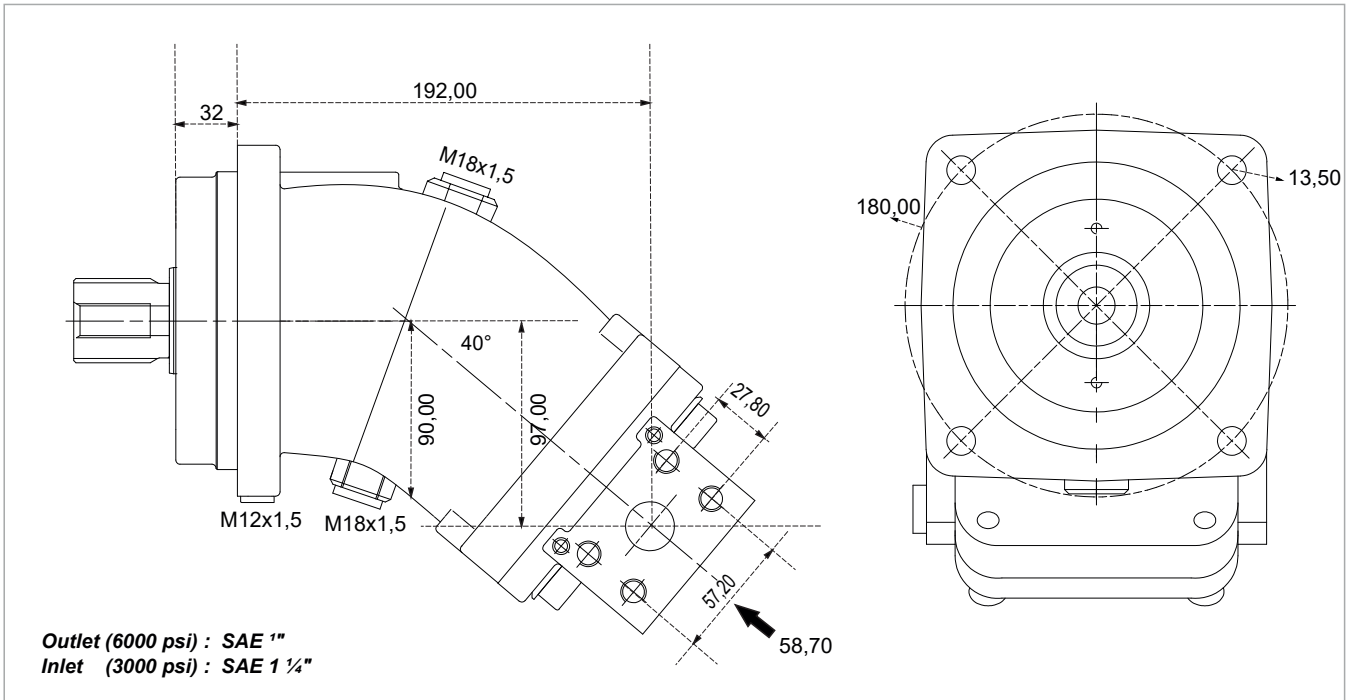


2PS 130



x 1000 rpm	130,00 cc
x 1500 rpm	195,00 cc
Max. Continuous Pump Speed	1900 rpm
Max. Continuous Pressure	400 bar
Max. Peak Pressure	450 bar
Max. Torque at 350 bar	726 Nm
Max. Flow	247,00 l/min.
Min. Pump Temperature	-25 °C
Max. Pump Temperature	110 °C
Weight without accessories	23,50 kg
Weight with accessories	24,00 kg
Rotation	CW-CCW

