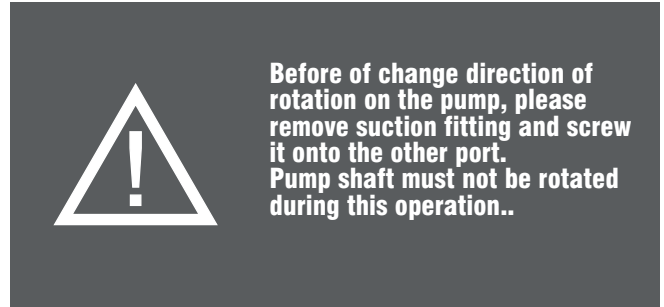
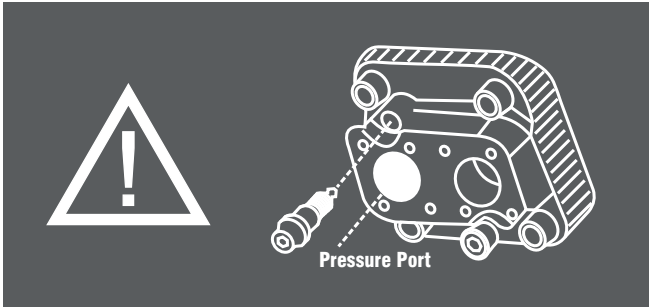


Changing the Direction of Rotation

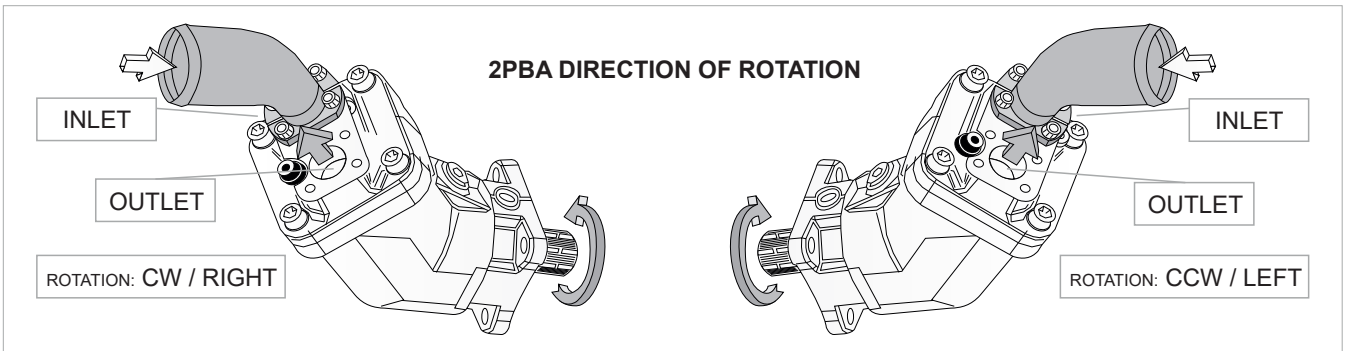
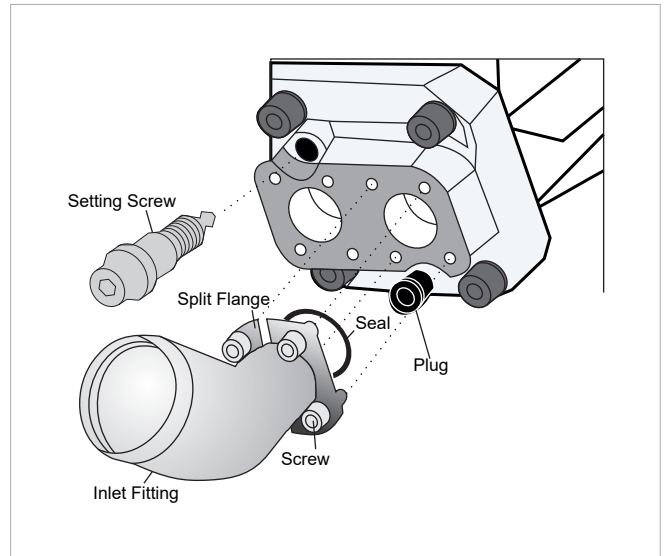


!! CHECK THE ROTATION FROM THE POWER TAKE OFF
!! THE ROTATION DIRECTION OF THE PUMP

Left Default delivered. Right Change rotation.

HOW TO CHANGE ROTATION OF THE 2PBA PUMP;

- Remove the inlet fitting with split flange,
- Remove the setting screw,
- Remove the plug,
- Put the setting screw where the plug was,
- Put the plug where the setting screw was,
- Put seal on the inlet fitting, then the inlet fitting on the side where the plug is, and fix with the split flange,
- Tighten with the screws.



NOTE I
The Inlet Fitting is pre-assembled on delivery and must be tightened to the torque specified for the thread size before installation.

NOTE II
To change the direction of rotation of the 2PBA Bent Axis Pump, you must change the pressure connection from to right port to the left port.

NOTE III
If the pump drive shaft moves while making the change, the 2PBA Bent Axis Pump may be damaged. After unscrewing the pressure connection, do not turn the drive shaft of the pump!

FLUID

Please check the following recommendations:
Mineral oil

Viscosity	20 to 40 cSt
Min. viscosity	5 cSt
Viscosity for correct operation	10 to 400 cSt
Recommended filtration	10µ absolute class 9 NAS 1638 class 6 SAE class 18/15 ISO
Max temp.	100° C

