

Discovery Artisan 1024

Digital Microscope



EN	User Manual
BG	Ръководство за потребителя
CZ	Návod k použití
DE	Bedienungsanleitung
ES	Guía del usuario
HU	Használati útmutató
IT	Guida all'utilizzo
PL	Instrukcja obsługi
PT	Manual do usuário
RU	Инструкция по эксплуатации
TR	Kullanım kılavuzu



Discovery
levenhuk
Zoom&Joy

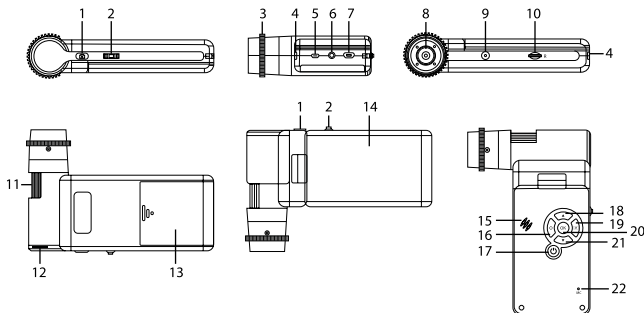
Discovery Artisan 1024

Digital Microscope

EN

Microscope parts

- | | |
|---|-------------------------------|
| ① Capture | ⑫ Brightness adjustment wheel |
| ② Zoom adjustment wheel | ⑬ Battery compartment |
| ③ Polarizing wheel | ⑭ 4" color LCD display |
| ④ Battery status indicator | ⑮ Speaker |
| ⑤ HDMI out | ⑯ Setup |
| ⑥ AV out | ⑰ Power on/off |
| ⑦ DC: charge battery
USB: output to PC | ⑱ Up |
| ⑧ Objective lens | ⑲ Photo/Video/Playback |
| ⑨ 1/4" screw | ⑳ OK (Confirm) |
| ⑩ MicroSD slot | ㉑ Down |
| ⑪ Focus wheel | ㉒ Microphone |



The kit includes: microscope, tripod, rechargeable battery, USB cable, AV cable, power adapter, software CD, pouch, user manual and lifetime warranty.

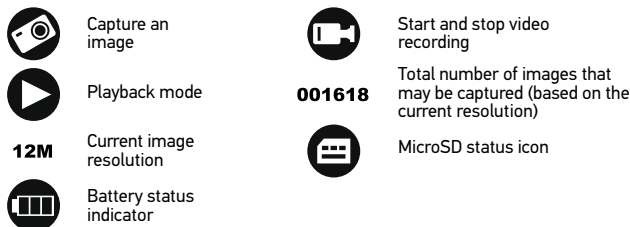
Never, under any circumstances, look directly at the Sun, another bright source of light or at a laser through this device, as this may cause **PERMANENT RETINAL DAMAGE** and may lead to **BLINDNESS**.

Microscope assembly

Open the battery compartment and insert the battery into the battery compartment matching the indicated polarity. The battery has to be fully charged before turning the microscope on for the first time. Plug the power cable into the power cable socket on the microscope body (7) and connect it to a power source. The battery status indicator (4) will turn red. Once the battery is fully charged, the indicator will go out. You can now disconnect the microscope from the power source and turn it on. The fully-charged battery allows you to use the microscope for 2.5 hours. The illumination will grow dim and the image quality will decrease to inform you that the battery is low. Charge the battery, as described above.

A microSD card (purchased separately) is required to save captured images and recorded videos. Turn the microscope off and insert the microSD card into the corresponding slot on the microscope body until it locks in place with a click. Do not apply excessive force when inserting the microSD card. Try rotating the card, if it does not lock in place with ease. Format the card before using it. To turn the microscope on, open the LCD display or press the power button (17). To turn the microscope off, fold the LCD display or press the power button (17) again (refer to Power saving section for more information).

Display icons



Note: Interface icons will be hidden if no key has been pressed and held for 10 seconds.

Capturing an image

Turn the microscope on and point it at an object. Make sure the LCD display is fully unfolded. Adjust the illumination brightness, so that the specimen is evenly lit. Change magnification, then focus your view and press the capture button (1) to capture an image.

Recording a video

Press the Photo/Video/Playback button (19) to switch to video mode. The icon in the upper left corner of the screen will change in confirmation. Press the capture button (1) to start recording and press it again to stop.

Playback

Press the Photo/Video/Playback button (19) to switch to playback mode. The icon in the upper left corner of the screen will change in confirmation. Select the desired photo or video clip with UP (18) and DOWN (21) buttons and press OK (20) to play it.

Deleting files

When browsing saved files, press the Setup button (16), select Delete... and press OK (20) to confirm selection (you can choose to delete everything or just the selected file from the displayed menu).

Protecting files

When browsing saved files, press the Setup button (16), select Protect and press OK (20) to confirm selection (you can choose to protect everything or just the selected file from the displayed menu).

Zoom

Scroll the zoom adjustment wheel (2) to zoom your view in or out.

Polarizing filter

You can use a polarizing filter to reduce light reflection while observing objects with a shiny surface like metal, crystals, etc. Rotate the polarizing wheel (3) by 90 degrees to activate or deactivate the polarizing effect.

Mass storage on PC

Insert a microSD card in the slot. Connect the microscope to your PC with the USB cable to download images from the card to your computer.

Preview on PC

Only works with the software installed. Remove the microSD card from the slot. Connect the microscope to your PC with the USB cable.

Connecting the microscope to a TV-set

Plug the AV cable into the microscope and connect it to your TV-set (refer to the User Guide of your TV-set for additional information). Turn on the TV and select the correct channel from the corresponding menu of the TV-set (refer to the User Guide of your TV-set for additional information).

Attaching the tripod

Place the tripod on a stable surface. Connect the tripod to the threaded hole (9) on the microscope and rotate the microscope until it locks in place. Do not apply excessive pressure during rotation, as this may damage both the microscope and the tripod. Tripod height may be adjusted, if necessary.

Display menu

Press Setup button (16) to open the main display menu. From this menu you can set image and video resolution, the interface language, date and time, turn on the power saving mode, set up the TV connection, format the SD card, reset settings and check the hardware version. Also, this menu provides access to the Loop recording mode and Date Stamp option.

Resolution

Select the image or video resolution from the main menu and choose the required resolution by pressing the Down button (21), then confirm by pressing the OK button (20).

Note: This model supports the following image resolutions: 12M, 10M, 8M, 5M, 3M; video resolutions: 1080P, 720P.

Capture mode

In photo mode, press the Setup button (16) and choose the Capture mode to setup the sequence capture. For example, you can set up the microscope to take a photo every 5 seconds.

Loop recording

In video mode, press the Setup button (16) and choose the Loop recording mode. You can select the duration of the video clip or turn the Loop recording mode off. While the Loop recording mode is on, each video clip of selected duration will be recorded over the previous one.

Date Stamp

Select Date Stamp from the main menu and then select a target option.

Date and time

Select Date/Time from the main menu by the Down button (21) and set the current date and time.

TV connection

Select TV Mode from the main menu and then select, between NTSC and PAL, the correct mode compatible with your TV. Press the OK button (20) to confirm selection.

Power saving

Select Auto Power Off from the main menu and set the idle time before the microscope automatically shuts down. Press the OK button (20) to confirm selection.

Settings reset

Select Default Setting from the main menu to revert back to factory settings.

Language

Select Language from the main menu and choose one of the existing settings. Press the OK button (20) to confirm selection.

MicroSD card formatting

Select Format SD from the main menu to format the installed memory card. All the files on the card will be deleted after card formatting. Normally card formatting is not necessary, unless your card is not able to store the captured image.

PortableCapture software

Insert the installation CD into your CD drive. Choose the folder according to the operating system of your device. Double click the installation file to install the application and follow the instructions on screen. The installation CD contains a copy of the user manual, which you can find in the User Manual folder. Connect the microscope to your PC with a USB cable and run the PortableCapture application. A pop-up message will warn you if the microscope is not connected to the PC.

Application menu



Capture an image



Start and stop video recording



Sequence capture (you can set the time to begin capturing images or videos, interval between them, video duration and the number of images or videos to be captured)



Full screen mode. To exit full screen mode, press Escape on your keyboard or double-click anywhere on the screen

File

Photos Folder: set a directory for captured images.

Videos Folder: set a directory for recorded videos.

Options

Resolution: set image resolution.

Date/Time: hide or display date and time of capture during preview.

Language: change the language of the user interface.

XY Guide: hide or display a grid on images.

Full screen mode: go full screen.

Capture

Photo: capture an image.

Video: record a video.

Capturing an image

Click the corresponding icon on the toolbar or select Photo from the Capture menu.

Recording a video

Click the corresponding icon on the toolbar or select Video from the Capture menu.

Sequence capture

Click the corresponding icon on the toolbar. A dialog window will appear where you can set a number of parameters for sequence capture. Click the Photo radio button to set the time to begin capturing images, interval between them and the total number of images. Click the Video radio button to set the time to begin recording videos, their duration, interval between them and the total number of clips.

Calibration

Before calibrating the microscope, turn the grid display on. To do so, select On from Options > XY Guide. By default, the grid is visible. Place the calibration scale on the stage and focus your view. Make sure that the vertical axis of the grid is parallel to scale divisions and capture an image. Double-click the image thumbnail to open it in a separate window.

Click the corresponding icon on the toolbar to begin calibration. Using your mouse, choose two points on the image (you have to know the actual distance between these two points). Once you choose the second point, a dialog window will open, where you have to enter the known distance in the Actual dimension field. The application will automatically calculate the magnification of the image. Click OK to close the dialog window. The calculated magnification will be displayed in the Magnification field.



Save as



Copy to clipboard



Copy file



Previous image



Next image



Undo the last action



Repeat the last action



Draw



Text



Measurement



Calibration

Note: Chosen points should form a horizontal line.

You can check calibration results by measuring the same distance with the Straight line tool. Click the measurements icon, choose the Straight line tool and draw a similar line on the image. If the measured distance is equal to the actual distance, calibration has been successful.

Recalibration

The calibration process has to be repeated if the magnification or focus has been changed during observations.

Click the corresponding icon on the toolbar again and select Reset picture magnification from Reset magnification. Repeat the calibration process, as described above. Change the magnification and capture a few images. Double-click one of the thumbnails to open the resulting image in a preview window. Click the calibration icon on the toolbar and select Set picture magnification from Set magnification. Enter the current magnification in the dialog window that appears and click OK.

If you want to use the same magnification when capturing images in the future, click the calibration icon on the toolbar and select Set capture magnification from Set magnification.

Measurements

It is recommended to calibrate the system before proceeding with measurements.

Straight line. Press and hold the left mouse button to start drawing a line. Release the left mouse button to complete the line.

Continuous Line. Press and hold the left mouse button and draw a line. Release the left mouse button to complete the segment. You can continue adding more segments to the free-form line.

Radius Circle. Draw a straight line on the image. The application will automatically calculate the radius, as well as circumference and area of the corresponding circle.

Diameter Circle. Draw a straight line on the image. The application will automatically calculate the diameter, as well as circumference and area of the corresponding circle.

Three Points Angle. Press and hold the left mouse button to draw a line on the image. Release the left mouse button and draw another line. The application will automatically calculate value of the resulting angle.

Draw and text

PortableCapture allows you to add drawings and textboxes to your images. Open an image in a preview window and click the Pencil icon on the toolbar. Select one of the tools from the drop-down menu and draw something on the image. By clicking the TT icon on the toolbar, you can edit font type and color to be used in textboxes.

Specifications

LCD display	4"
Optics material	optical glass
Megapixels	5
Magnification	10—300x
Photo	*.jpg
Video	*.avi
Focusing	manual, 0—100mm
Speed	30fps
Illumination	8-LED system with brightness adjustment
Body material	plastic
Power source	5V DC-in via USB cable or Li-ion battery: 3.7V, 1050mAh work time: 2.5 hours; charging time: 4 hours
Software	image and video processing software with measurement function
Software language	English, German, French, Spanish, Russian, Japanese, Chinese, etc.
Ability to connect additional equipment	support of microSD cards with capacity up to 32GB (not included in the kit) connect to PC via USB cable (included) connect to TV via AV cable (included)
Operating temperature range	-10... +65 °C / 14... 149 °F

The manufacturer reserves the right to make changes to the product range and specifications without prior notice.

System requirements

Operating system: Windows 7/8/10, Mac 10.14 and above
CPU: at least P2 1GHz or above, RAM: 512MB, Video card: 512MB
Interface: USB 2.0, CD drive, any monitor with AV input

Care and maintenance

Never, under any circumstances, look directly at the Sun, another bright source of light or at a laser through this device, as this may cause PERMANENT RETINAL DAMAGE and may lead to BLINDNESS. Take necessary precautions when using the device with children or others who have not read or who do not fully understand these instructions. After unpacking your microscope and before using it for the first time check for integrity and durability of every component and connection. Do not try to disassemble the device on your own for any reason. For repairs and cleaning of any kind, please contact your local specialized service center. Protect the device from sudden impact and excessive mechanical force. Do not apply excessive pressure when adjusting focus. Do not overtighten the locking screws. Do not touch the optical surfaces with your fingers. To clean the device

exterior, use only special cleaning wipes and special optics cleaning tools from Levenhuk. Do not use any corrosive or acetone-based fluids to clean the optics. Abrasive particles, such as sand, should not be wiped off lenses, but instead blown off or brushed away with a soft brush. Do not use the device for lengthy periods of time, or leave it unattended in direct sunlight. Keep the device away from water and high humidity. Be careful during your observations, always replace the dust cover after you are finished with observations to protect the device from dust and stains. If you are not using your microscope for extended periods of time, store the objective lenses and eyepieces separately from the microscope. Store the device in a dry, cool place away from hazardous acids and other chemicals, away from heaters, open fire and other sources of high temperatures. When using the microscope, try not to use it near flammable materials or substances (benzene, paper, cardboard, plastic, etc.), as the base may heat up during use, and might become a fire hazard. Always unplug the microscope from a power source before opening the base or changing the illumination lamp. Regardless of the lamp type (halogen or incandescent), give it some time to cool down before trying to change it, and always change it to a lamp of the same type. Always use the power supply with the proper voltage, i.e. indicated in the specifications of your new microscope. Plugging the instrument into a different power outlet may damage the electric circuitry of the microscope, burn out the lamp, or even cause a short circuit. **Children should use the device under adult supervision only. Seek medical advice immediately if a small part or a battery is swallowed.**

Battery safety instructions

Always purchase the correct size and grade of battery most suitable for the intended use. Always replace the whole set of batteries at one time; taking care not to mix old and new ones, or batteries of different types. Clean the battery contacts and also those of the device prior to battery installation. Make sure the batteries are installed correctly with regard to polarity (+ and -). Remove batteries from equipment that is not to be used for an extended period of time. Remove used batteries promptly. Never short-circuit batteries as this may lead to high temperatures, leakage, or explosion. Never heat batteries in order to revive them. Do not disassemble batteries. Remember to switch off devices after use. Keep batteries out of the reach of children, to avoid risk of ingestion, suffocation, or poisoning. Utilize used batteries as prescribed by your country's laws.

Levenhuk Warranty

Levenhuk products, except for their accessories, carry a **2-year** warranty against defects in materials and workmanship. All Levenhuk accessories are warranted to be free of defects in materials and workmanship for **six months** from the purchase date. The warranty entitles you to the free repair or replacement of the Levenhuk product in any country where a Levenhuk office is located if all the warranty conditions are met.

For further details, please visit: www.levenhuk.com/warranty
If warranty problems arise or if you need assistance in using your product, please contact the local Levenhuk branch.

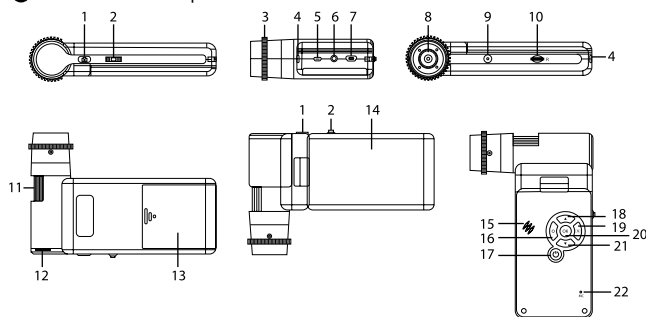
Discovery Artisan 1024

Цифров микроскоп

BG

Части на микроскопа

- 1 Заснемане
- 2 Пръстен за регулиране на увеличението
- 3 Поляризационен пръстен
- 4 Индикатор за състоянието на батерията
- 5 Изход HDMI
- 6 AV изход
- 7 DC: зареждане на батерията USB: изход към компютър
- 8 Леща на обектива
- 9 Винт 1/4"
- 10 Slot за MicroSD карта
- 11 Пръстен за фокусиране
- 12 Пръстен за регулиране на яркостта
- 13 Отделение за батериите
- 14 4" цветен течнокристален дисплей
- 15 Високоговорител
- 16 Настройка
- 17 Вкл./Изкл. на захранването
- 18 Нагоре
- 19 Снимка/Видео/Възпроизвеждане
- 20 ОК (Потвърждаване)
- 21 Надолу
- 22 Микрофон



Комплектът включва: микроскоп, триножнич, акумулаторна батерия, USB кабел, AV кабел, захранващ адаптер, CD със софтуер, торбичка, ръководство за потребителя и доживотна гаранция.

Никога и при никакви обстоятелства не гледайте директно към Слънцето, друг ярък източник на светлина или лазер през това устройство, тъй като това може да предизвика НЕВЪЗВРАТИМО УВРЕЖДАНЕ НА РЕТИНАТА и може да доведе до СЛЕПОТА.

Сглобяване на микроскопа

Отворете отделението за батериите и поставете батерията в отделението, като спазвате обозначената полярност. Батерията трябва да бъде напълно заредена, преди да се включи микроскопът за първи път. Вкарайте захранващия кабел в гнездото за кабела върху корпуса на микроскопа (7) и го свържете към захранващ източник. Индикаторът за състоянието на батерията (4) ще светне в червено. Сред като батерията се зареди напълно, индикаторът ще изгасне. Сега можете да разкачите микроскопа от захранващия източник и до го включите. Напълно заредената батерия позволява да работите с микроскопа в продължение на 2,5 часа. Осветлението ще става по-слабо и качеството на изображението ще се влошава, за да Ви информира, че батерията е изтощена. Заредете батерията, както е описано по-горе.

За да запишете заснетите изображения и видео, е необходима MicroSD карта (закупува се отделно). Изключете микроскопа и вкарайте MicroSD картата в съответния слот върху корпуса на микроскопа, докато щракне на мястото си. Не прилагайте прекомерна сила при вкарването на MicroSD картата. Опитайте да завъртите картата, ако не щраква лесно на мястото си. Форматирайте картата, преди да я използвате. За да включите микроскопа, отворете течнокристалния дисплей или натиснете захранващия бутон (17). За да изключите микроскопа, затворете течнокристалния дисплей или натиснете захранващия бутон (17) отново (за повече информация вижте секция "Енергоспестяване").

Иконки на дисплея

- | | | | |
|------------|---|---------------|---|
| | Заснемане на изображение | | Стартиране и спиране на видеозаписа |
| | Възпроизвеждане | 001618 | Общ брой на изображенията, които могат да се заснемат (на базата на текущата разделителна способност) |
| 12M | Тенуща разделителна способност на изображението | | Иконка за състоянието на MicroSD |
| | Иконка за състоянието на батерията | | |

Забележка: иконките за интерфейса ще бъдат скрити, ако никои бутон не е бил натиснат и задържан за 10 секунди.

Заснемане на изображение

Включете микроскопа и то насочете към обект. Уверете се, че течнокристалният дисплей е напълно отворен. Регулирайте яркостта на осветлението, така че образецът да е равномерно осветен.

Променете увеличението, след което фокусирайте изображението и натиснете бутона за заснемане (1), за да заснемете изображението.

Записване на видео

Натиснете бутона за Снимка/Видео/Възпроизвеждане (19), за да превключите на режим на видео. Иконата в горния ляв ъгъл на екрана ще се промени за потвърждение. Натиснете бутона за заснемане (1), за да започнете записа, и го натиснете отново, за да го спрете.

Възпроизвеждане

Натиснете бутона за Снимка/Видео/Възпроизвеждане (19), за да превключите на режим на възпроизвеждане. Иконата в горния ляв ъгъл на екрана ще се промени за потвърждение. Изберете желаната снимка или видеоклип с бутони Нагоре (18) и Надолу (21), след което натиснете ОК (20) за възпроизвеждане.

Изтриване на файлове

Докато прегледате записаните файлове, натиснете бутона за настройка (16), изберете Delete... (Изтриване...), след което натиснете ОК (20), за да потвърдите избора (можете да изберете да изтриете всичко или само избрания файл от показваното меню).

Защита на файлове

Докато прегледате записаните файлове, натиснете бутона за настройка (16), изберете Protect (Защита), след което натиснете ОК (20), за да потвърдите избора (можете да изберете да защитите всичко или само избрания файл от показваното меню).

Промяна на увеличението

Завъртете пръстена за регулиране на увеличението (2), за да го увеличите или да го намалите.

Поляризационен филтър

Можете да използвате поляризационния филтър, за да намалите отражението на светлината, докато наблюдавате обекти с лъскава повърхност, като метал, кристали и др. Завъртете поляризационния пръстен (3) на 90 градуса, за да активирате или дезактивирате поляризационния ефект.

Запис на Вашия компютър

Вкарайте MicroSD карта в слота. Свържете микроскопа към компютъра си чрез USB кабела, за да изтеглите изображения от картата във Вашия компютър.

Предварително прегледане на компютъра

Работи само с инсталирания софтуер. Извадете MicroSD картата от слота. Свържете микроскопа към компютъра си чрез USB кабела.

Свързване на микроскопа към телевизор

Вкарайте AV кабела в микроскопа и го свържете към телевизора си (за допълнителна информация вижте ръководството за потребителя на телевизора). Включете телевизора и изберете правилния канал от съответното меню на телевизора (за допълнителна информация вижте ръководството за потребителя на телевизора).

Закрепване на триножника

Поставете триножника върху стабилна повърхност. Свържете триножника към отвора с резба (9) на микроскопа и завъртете микроскопа, докато се фиксира

8

на мястото си. Не упражнявайте прекомерен натиск по време на въртенето, тъй като това може да повреди както микроскопа, така и триножника. Височината на триножника може да се регулира, ако е необходимо.

Меню на дисплея

Натиснете бутона Setup (Настройка) (16), за да отворите главното меню на дисплея. От това меню можете да настроите разделителната способност на изображението и видеозаписа, да настроите езика на интерфейса, да включвате режима за пестене на енергия, да извиквате на дисплея или да скривате датата и времето, да настроите връзката с телевизор, да форматирате SD картата, да нулите настройките и да проверявате версията на хардуера. Това меню също така осигурява достъп до режима на цикличен запис и опция за маркировка с датата.

Разделителна способност

От главното меню изберете Resolution (Разделителна способност) за изображението или видеозаписа и изберете необходимата разделителна способност чрез натискане на бутона Down (Надолу) (21), след това потвърдете чрез натискане на бутона ОК (20).

Забележка: този модел поддържа следните видове разделителна способност на изображението: 12M, 10M, 8M, 5M, 3M; видове разделителна способност на изображението: 1080P, 720P.

Режим “Заснемане”

В режим за снимки натиснете бутона “Настройка” (16) и изберете режим Capture (“Заснемане”), за да настроите последователността на заснемане. Можете например да настроите микроскопа да прави снимки на всеки 5 секунди.

Цикличен запис

В режим на видеозапис натиснете бутона “Настройка” (16) и изберете режим Loop recording (“Цикличен запис”). Можете да изберете продължителността на видеоклипа или да изключите режима “Цикличен запис”. Когато е включен режимът “Цикличен запис”, всеки видеозапис с избраната продължителност ще бъде записан върху предходния.

Маркировка с датата

Изберете от главното меню Date Stamp (Маркировка с датата) и след това изберете планираната опция.

Дата и час

Изберете от главното меню Date/Time (Дата/Час) чрез бутона Down (Надолу) (21) и настройте текущите дата и час.

Свързване към телевизор

Изберете от главното меню TV Mode (Режим “Телевизор”) и след това изберете съвместимия с Вашия телевизор режим – NTSC или PAL. Натиснете бутона ОК (20), за да потвърдите избора.

Пестене на енергия

Изберете от главното меню Auto Power Off (Автоматично изключване на захранването) и задайте времето на изчакване преди автоматичното изключване на микроскопа. Натиснете бутона ОК (20), за да потвърдите избора.

Нулиране на настройките

Изберете от главното меню Default Setting (Настройка по подразбиране), за да се върнете към фабричните настройки.

Език

Изберете от главното меню Language (Език), след което изберете една от съществуващите настройки. Натиснете бутона ОК (20), за да потвърдите избора.

Форматиране на MicroSD карта

Изберете от главното меню Format SD (Форматиране на SD), за да форматирате инсталираната карта памет. При форматирането на картата всички файлове на картата ще бъдат изтрети. Обикновено не е необходимо форматиране на картата, освен ако запамятаването на заснети изображения на картата Ви е невъзможно.

Софтуер PortableCapture

Внарайте инсталационния компактдиск в устройството за компактдискове. Изберете папката в зависимост от операционната система на Вашето устройство. Щракнете два пъти върху инсталационния файл, за да инсталирате приложението, и следвайте инструкциите на екрана. Инсталационният компактдиск съдържа копие на ръководството за потребителя, което можете да намерите в папка User Manual (Ръководство за потребителя). Свържете микроскопа към компютъра си чрез USB кабел и стартирайте приложението PortableCapture. Изскачащо съобщение ще Ви предупреди, ако микроскопът не е свързан към компютъра.

Меню на приложението



Заснемане на изображение



Стартиране и спиране на видеозаписа



Последователност на заснемане (можете да задавате времето на началото на заснемане на изображения или видеозаписи, интервалът между тях, продължителността на видеозаписа и броя на изображенията или видеозаписите, което ще бъдат заснети)



Режим "Цял екран". За да излезете от режима "Цял екран", натиснете Ескаре (Изход) на Вашата клавиатура или щракнете двукратно някъде върху екрана

File (Файл)

Photos Directory (Указател на снимките): задава указател за заснетите изображения.

Videos Directory (Указател на видеозаписите): задава указател за направените видеозаписи.

Options (Опции)

Resolution (Разделителна способност): задава разделителната способност.

Date/Time (Дата/Час): скрива или показва датата и часа на заснемането по време на преглеждането.

Language (Език): промяна на езика на потребителския интерфейс.

XY Guide (XY водач): скрива или извешда на дисплея мрежа на изображенията.

Full screen mode (Режим "Цял екран"): разгъва изображението на цял екран.

Capture (Заснемане)

Photo (Снимка): заснемане на изображение.

Video (Видеозапис): извършва видеозапис.

Заснемане на изображение

Щракнете върху съответната иконка на лентата с инструменти или изберете Photo (Снимка) от менюто Capture (Заснемане).

Записване на видео

Щракнете върху съответната иконка на лентата с инструменти или изберете Video (Видеозапис) от менюто Capture (Заснемане).

Последователност на заснемане

Щракнете върху съответната иконка на лентата с инструменти. Ще се появи диалогов прозорец, където можете да зададете броя на параметрите за последователността на заснемане.

Щракнете върху радио бутона Photo (Снимка), за да настроите времето на начало на заснемане на изображения, интервала между тях и общия брой на изображенията. Щракнете върху радио бутона Video (Видеозапис), за да настроите времето на начало на правене на видео записи, продължителността им, интервала между тях и общия брой на клиповете.



Запамятаване като



Повтаряне на последното действие



Копиране в клипборд



Чертане



Копиране на файл



Текст



Предишно изображение



Размер



Следващо изображение



Калибриране



Отмяна на последното действие

Калибриране

Преди да калибрирате микроскопа, включете дисплея мрежа. За да направите това, изберете On (вкл.) от Options (Опции) > XY Guide (XY водач).

По подразбиране мрежата се вижда. Поставете скалата за калибриране върху предметната маса и фокусирайте изображението. Уверете се, че вертикалната ос на мрежата е паралелна на деленията на скалата и заснемете изображение. Щракнете два пъти върху миниатюрата на изображението, за да го отворите в отделен прозорец.

Щракнете върху съответната иконка на лентата с инструменти, за да започне калибрирането. С помощта на мишката изберете две точки от изображението (трябва да знаете разстоянието между тези две точки). Щом изберете втората точка ще се отвори диалогов прозорец, където трябва да въведете известното разстояние в полето Actual dimension (Действителен размер).

Приложението ще изчисли автоматично увеличението на изображението. Щранкнете върху ОК, за да затворите диалоговия прозорец. Изчисленото увеличение ще бъде показано в полето Magnification (Увеличение).

Забележка: *Избраните точки трябва да формират хоризонтална линия.*

Можете да проверите резултатите от калибрирането, като измерите същото разстояние с инструмента за прави линии. Щранкнете върху иконката за размери, изберете инструмента за прави линии и начертайте линия върху изображението. Ако измереното разстояние е равно на действителното разстояние, тогава калибрирането е успешно.

Повторно калибриране

Процесът на калибриране трябва да се повтори, ако по време на наблюденията са се променили увеличението или фокусът.

Щранкнете отново върху съответната иконка на лентата с инструменти и изберете Reset picture magnification (Нулиране на увеличението на изображението) от Reset magnification (Нулиране на увеличението). Повторете процеса на калибриране, както е описано по-горе. Променете увеличението и заснемете няколко изображения. Двукратното щранкане върху миниатюрите на изображениата ще отвори съответното изображение в прозорец за предварителен преглед. Щранкнете върху иконката за калибриране на лентата с инструменти и изберете Set picture magnification (Задаване на увеличението на изображението) от Set magnification (Задаване на увеличението). Въведете текущото увеличение в диалоговия прозорец, който се появява, и щранкнете върху ОК.

Ано искате в бъдеще да използвате същото увеличение при заснемане на изображения, тогава щранкнете върху иконката за калибриране на лентата с инструменти и изберете Set capture magnification (Задаване на увеличението при заснемане) от Set magnification (Задаване на увеличението).

Измервания

Препоръчва се да калибрирате системата, преди да продължите с измерванията.

Straight line (Права линия). Натиснете и задръжте натиснат левия бутон на мишката, за да започнете да чертаете линия. Отпуснете левия бутон на мишката, за да завършите линията.

Continuous Line (Линия с произволна форма). Натиснете и задръжте натиснат левия бутон на мишката и начертайте линия. Отпуснете левия бутон на мишката, за да завършите сегмента. Можете да продължите да добавяте сегменти към линията с произволна форма.

Radius Circle (Радиус на кръг). Начертайте права линия върху изображението. Приложението ще изчисли автоматично радиуса, както и обиколката и площта на съответния кръг.

Diameter Circle (Диаметър на кръг). Начертайте права линия върху изображението. Приложението ще изчисли автоматично диаметъра, както и обиколката и площта на съответния кръг.

Three Points Angle (Триточков ъгъл). Натиснете и задръжте натиснат левия бутон на мишката, за да начертаете линия върху изображението. Отпуснете левия бутон на мишката и начертайте друга линия. Приложението ще изчисли автоматично стойността на получения ъгъл.

Чертане и текст

PortableCapture Ви позволява да добавяте линии и текстови полета към Вашите изображения. Отворете дадено изображение в прозореца за предварителен преглед и щранкнете върху иконката Молив на лентата с инструменти. Изберете един от инструментите от изскачащото меню и начертайте нещо върху изображението. Чрез щранкане върху иконката ТТ на лентата с инструменти, Вие можете да редактирате типа и цвета на шрифта, който ще се използват в текстовите полета.

Спецификации

Течнокристален дисплей	4"
Материал на оптиката	оптично стъкло
Мегапиксела	5
Увеличение	10—300x
Снимки	*.jpg
Видео	*.avi
Регулиране на фокуса	ръчно, 0—100 mm
Скорост	30 fps
Осветление	система с 8 светодиода с регулиране на яркостта
Материал на корпуса	пластмаса
Захранващ източник	вход 5 V DC през USB кабел или литиево-йонна батерия: 3,7 V, 1050 mAh време за работа: 2,5 часа; време за зареждане: 4 часа
Софтуер	софтуер за обработка на изображения и видеозаписи с функция за измерване
Език на софтуера	английски, немски, френски, испански, руски, японски, китайски и др.
Възможност за свързване на допълнително оборудване	поддържа microSD карти с обем до 32 GB (не са включени в комплекта) свързване към компютър чрез USB кабел (включен) свързване към телевизор чрез AV кабел (включен)
Диапазон на работната температура	–10... +65 °C

Производителят си запазва правото да прави промени на гамата продукти и спецификациите им без предварително уведомление.

Изисквания към системата

Операционна система: Windows 7/8/10, Mac 10.14 и по-нови версии
Процесор: най-малко P2 1 GHz или по-висок клас, RAM: 512 MB, видеокарта: 512 MB
Интерфейс: USB 2.0, устройство за компактдискове, всеки монитор с вход AV

Грижи и поддръжка

Никога и при никакви обстоятелства не гледайте директно към слънцето, друг ярък източник на светлина или лазер през това устройство, тъй като това може да предизвика **ПЕРМАНЕНТО УВРЕЖДАНЕ НА РЕТИНАТА** и може да доведе до **СЛЕПОТА**. Предприемете необходимите превантивни мерки при използване на това устройство от деца или други, които не са прочели или които не са разбрали напълно тези инструкции. След като разпоканавате Вашия микроскоп и преди да го използвате за първи път, проверете дали всички компоненти и връзки са здрави и с ненарушена цялост. Не се опитвайте да разглобявате устройството самостоятелно. За ремонти и почистване, моля, обръщайте се към местния специализиран сервизен център. Предпазвайте устройството от внезапни удари и прекомерна механична сила. Не прилагайте прекомерен натиск при настройване на фокусирането. Не пренатягайте заключващите винтове. Не пипайте повърхностите на оптиката с пръсти. За почистване на отвън, използвайте само специални кърпички и течности за почистване на оптика от Levenhuk. Не използвайте корозивни течности или такива на основата на ацетон за почистване на оптиката. Абразивните частици, като напр. пясък, не трябва да бъдат забърсвани от лещите, а трябва да бъдат издухвани или изчетквани с мека четка. Не използвайте устройството за продължителни периоди от време и не го оставяйте без надзор на директна слънчева светлина. Пазете устройството далече от вода и висока влажност. Бъдете внимателни по време на наблюдения, винаги поставяйте покривалото против прах обратно на мястото му, след като сте приключили с наблюдението, за да предпазите устройството от прах и поява на петна. Ако не използвате Вашия микроскоп за продължителни периоди от време, съхранявайте лещите на обектива и окулярите отделно от микроскопа. Съхранявайте устройството на сухо и хладно място, далеч от опасни киселини и други химикали, далеч от отоплителни уреди, открит огън и други източници на високи температури. Когато използвате микроскопа, опитайте да не го използвате в близост до запалими материали или вещества (бензен, хартия, картон, пластмаса и т.н.), тъй като основата може да се нагрее по време на употреба и може да възникне опасност от пожар. Винаги изключвайте микроскопа от източника на захранване, преди да отворите основата или да смените осветителната лампа. Независимо от вида на лампата (халогенна или с нажежаема жичка) я оставете да се охлади за кратко, преди да опитате да я смените, и винаги я сменяйте с лампа от същия тип. Винаги използвайте захранване с подходящо напрежение, т.е. посоченото в спецификациите на Вашия нов микроскоп. Включването на инструмента в електрически контакт с различно напрежение ще повреди електрическата верига на микроскопа, ще изгори лампата или може дори да причини късо съединение. **Деца трябва да използват микроскопа само под надзора на възрастни. Потърсете веднага медицинска помощ, ако погълнете малка част или батерия.**

Инструкции за безопасност на батериите

Винаги купувайте батерии с правилния размер и характеристики, които са най-подходящи за предвидената употреба. Винаги сменяйте всички батерии едновременно, като внимавате да не смесите стари и нови или батерии от различен тип. Почистете контактите на батериите, както и тези на устройството, преди да поставите батериите. Уверете се, че батериите са поставени правилно по отношение на полярността (+ и -). Извадете батериите от оборудването, ако то няма да бъде използвано продължителен период от време. Извадете използваните батерии незабавно. Никога не свързвайте батерии накъсо, тъй като това може да доведе до високи температури, теч или експлозия. Никога не загръщайте батерии, опитвайки се да ги използвате допълнително време.

Не разглобявайте батериите. Не забравяйте да изключите устройствата след употреба. Дръжте батериите далеч от достъпа на деца, за да избегнете риск от поглъщане, задъшаване или отравяне. Изхвърляйте използваните батерии съгласно правилата в държавата Ви.

Гаранция на Levenhuk

Оптичните продукти Levenhuk имат **2-годишна** гаранция срещу дефекти в материалите и изработката. За всички принадлежности на Levenhuk се предоставя гаранция за липса на дефекти на материалите и изработката за период от **2 години** от датата на покупката на дребно. Гаранцията Ви дава право на безплатен ремонт или замяна на продукта на Levenhuk във всяка държава, в която има офис на Levenhuk, ако са изпълнени всички условия за гаранцията.

За допълнителна информация посетете нашия уебсайт:
www.levenhuk.bg/garantsiya

Ако възникнат проблеми с гаранцията или ако се нуждаете от помощ за използването на Вашия продукт, свържете се с местния представител на Levenhuk.

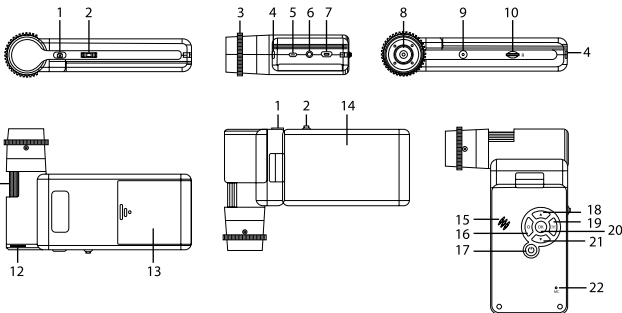
Discovery Artisan 1024

Digitální mikroskop

CZ

Části mikroskopu

- | | |
|---|--------------------------------|
| 1 Zachytit | 12 Regulátor nastavení jasu |
| 2 Regulátor nastavení zvětšení | 13 Prostor pro baterie |
| 3 Kolečko polarizačního filtru | 14 4" barevný LCD displej |
| 4 Ukazatel nabíjení | 15 Reproduktor |
| 5 HDMI výstup | 16 Nastavit |
| 6 AV výstup | 17 Zapnutí/vypnutí |
| 7 DC: nabíjení baterie
USB: výstup do počítače | 18 Nahoru |
| 8 Objektiv | 19 Fotografie/Video/Přehrávání |
| 9 Šroub 1/4" | 20 OK (potvrdit) |
| 10 Slot na kartu microSD | 21 Dolů |
| 11 Kolečko zaostřování | 22 Mikrofón |



Obsah soupravy: mikroskop, stativ, dobíjecí baterie, napájecí kabel, kabel USB, kabel AV, instalační CD, obal, návod k použití a záruční list.

Nikdy, za žádných okolností se tímto přístrojem nedívejte přímo do slunce, jiného světelného zdroje nebo laseru, neboť hrozí nebezpečí **TRVALÉHO POŠKOZENÍ SÍTNICE** a případně i **OSLEPNUTÍ**.

Montáž mikroskopu

Otevřete prostor pro baterie. Vložte baterii do prostoru pro baterie. Dbejte na správnou polaritu baterie. Před prvním zapnutím mikroskopu musí být baterie plně nabitá. Napájecí kabel zapojte do zásuvky na těle mikroskopu (7) a připojte jej ke zdroji napájení. Rozsvítí se červený ukazatel stavu baterie (4). Jakmile je baterie zcela nabitá, ukazatel zhasne. Nyní můžete mikroskop odpojit od napájecího zdroje a zapnout. Plně nabitá baterie umožňuje mikroskop používat nepřetržitě po dobu po dobu 2,5 hodiny. Nízký stav baterie se projevívá snížením intenzity osvětlení a zhoršením kvality obrazu. V takovém případě baterii výše uvedeným postupem dobijte.

Karta microSD (nutno koupit samostatně) slouží ke ukládání pořízených statických snímků a videozáznamů. Mikroskop vypnete a kartu microSD vložte do odpovídajícího slotu na těle mikroskopu, dokud vám zvuk cvaknutí neoznámi, že je vložena správně. Při vkládání microSD karty nepoužívejte příliš velkou sílu. Nejde-li na své místo vložít snadno, zkuste ji otočit. Kartu před prvním použitím zformátujte. Mikroskop zapnete otevřením LCD displeje nebo stisknutím tlačítka napájení (17). Mikroskop vypnete zavřením LCD displeje nebo opětovným stisknutím tlačítka napájení (17) (Další informace naleznete v kapitole Úsporný režim).

Ikony displeje



Snímat statický obraz



Zahájit a ukončit nahrávání videozáznamu



Přehrávání

001618

Celkový počet snímků, které lze zachytit (na základě aktuálního rozlišení)

12M

Aktuální rozlišení snímků



Ikona stavu karty microSD



Ukazatel stavu baterie

Poznámka: Ikony rozhraní budou skryté, pokud 10 sekund nestisknete žádné tlačítko.

Snímání obrazu

Mikroskop zapněte a naniřte na nějaký předmět. Ujistěte se, že je LCD displej maximálně vyklopený. Nastavte jas osvětlení tak, aby byl preparát rovnoměrně osvětlený. Změňte hodnotu zvětšení, pak zaostřete obraz a stisknutím tlačítka Zachytit (1) poříďte snímek.

Pořizování videozáznamů

Stisknutím klávesy Fotografie/Video/Přehrávání (19) přejdete do režimu videozáznamu. Přejchod do jiného režimu je potvrzen změnou ikony v levém horním rohu. Stisknutím tlačítka Capture (Zachytit) (1) zahájíte záznam a dalším stisknutím jej zastavíte.

Přehrávání

Stisknutím klávesy Fotografie/Video/Přehrávání (19) přejdete do režimu přehrávání. Přejchod do jiného režimu je potvrzen změnou ikony v levém horním rohu. Pomocí tlačítek Nahoru (18) a Dolů (21) vyberte požadovanou fotografii nebo videoklip a stisknete tlačítko OK (20) pro přehrávání.

Odstraňování souborů

Při procházení uložených souborů stisknete klávesu Nastavit (16), zvolte možnost Delete... (Odstranit) a klávesou OK (20) potvrďte volbu (můžete odstranit vše, nebo jen vybraný soubor ze zobrazené nabídky).

Nastavení ochrany souborů

Při procházení uložených souborů stisknete klávesu Nastavit (16), zvolte možnost Protect (Chránit) a klávesou OK (20) potvrďte volbu (můžete chránit vše, nebo jen vybraný soubor ze zobrazené nabídky).

Zvětšení

Zobrazení můžete přiblížit nebo oddálit otáčením regulačního šroubu zvětšení (2).

Polarizační filtr

Polarizační filtr můžete použít pro redukci odrazu světla při pozorování objektů s lesklým povrchem, jako je například kov, sklo apod. Otočte kolečkem polarizačního filtru (3) o 90 stupňů pro aktivaci nebo deaktivaci polarizačního efektu.

Hromadné úložiště v počítači

Vložte kartu microSD do slotu. Připojte mikroskop k počítači pomocí USB kabelu a stáhněte snímky z karty do počítače.

Náhled na počítači

Funguje pouze s nainstalovaným softwarem. Vyjměte kartu microSD ze slotu. Připojte mikroskop k počítači pomocí USB kabelu.

Připojení mikroskopu k televiznímu přijímači

Do mikroskopu zapojte kabel AV a druhý konec připojte ke svému televiznímu přijímači (další informace naleznete v návodu k použití svého televizního přijímače). Televizní přijímač zapněte a zvolte správný kanál z příslušné nabídky na televizním přijímači (další informace naleznete v návodu k použití svého televizního přijímače).

Připojení ke stativu

Stativ umístěte na stabilní plochu. Přiložte jej k závitovému otvoru (9) na mikroskopu a mikroskopem otáčejte, dokud nezacvakne na místo. Při otáčení nevyvíjejte nadměrný tlak, mohli byste poškodit mikroskop i stativ. V případě potřeby lze upravit výšku stativu.

Nabídka Displej

Stisknutím tlačítka Setup (Nastavení) (16) otevřete nabídku hlavního displeje. V této nabídce můžete nastavovat rozlišení snímků a videa, nastavovat jazyk rozhraní, zapínat úsporný režim, skrýt nebo zobrazit datum a čas, nastavit připojení k televizoru, naformátovat SD kartu, resetovat nastavení a zkontrolovat verzi hardwaru. Tato nabídka také poskytuje přístup do režimu záznamu Loop (smyčka) a možnosti Date Stamp (Datové razítko).

Rozlišení

Vyberte hodnotu Resolution (Rozlišení) snímků nebo videa z hlavní nabídky a vyberte požadované rozlišení stisknutím tlačítka Down (Dolů) (21) a pak potvrďte stisknutím tlačítka OK (20).

Poznámka: Tento model podporuje následující rozlišení snímků: 12M, 10M, 8M, 5M, 3M; rozlišení videa: 1080P, 720P.

Režim zachycování

V režimu fotografování stisknete tlačítko Nastavení (16) a zvolte režim Capture (Zachycování) pro nastavení sekvence zachycení. Můžete například nastavit mikroskop tak, aby pořizoval fotografie každých 5 sekund.

Záznam smyčky

V režimu videa stisknete tlačítko Nastavení (16) a zvolte režim Loop recording (Záznam smyčky). Můžete vybrat dobu trvání videoklipu nebo vypnout režim Loop recording (Záznam smyčky). Po zapnutí režimu záznamu ve smyčce se všechny videoklipy s vybranou dobou trvání uloží nad předchozí hodnotou.

Datové razítko

Vyberte možnost Date Stamp (Datové razítko) z hlavní nabídky a pak vyberte cílovou možnost.

Datum a čas

Vyberte možnost Date/Time (Datum/čas) z hlavní nabídky pomocí tlačítka Down (Dolů) (21) a nastavte aktuální datum a čas.

Připojení k TV

Vyberte možnost TV Mode (Režim TV) z hlavní nabídky a pak vyberte z možností NTSC a PAL, správného režimu kompatibilního s vaším televizorem. Stisknutím tlačítka OK (20) potvrďte výběr.

Úsporný režim

Vyberte možnost Automatic Power Off (Automatické vypnutí) v hlavní nabídce a před automatickým vypnutím mikroskopu nastavte dobu nečinnosti. Stisknete tlačítko OK (20) a potvrďte zadání.

Obnovení továrního nastavení

Vyberte možnost Default Setting (Výchozí nastavení) z hlavní nabídky a vraťte nastavení zpět do továrního.

Jazyk

Vyberte možnost Language (Jazyk) z hlavní nabídky a vyberte jednu ze stávajících možností. Stisknete tlačítko OK (20) a potvrďte zadání.

Formátování microSD karty

Vyberte možnost Format SD (Formátovat SD) z hlavní nabídky a naformátujte vloženou paměťovou kartu. Všechny soubory na kartě budou po naformátování karty odstraněny. Formátování karty obvykle není potřeba, pokud vaše karta dokáže uložit zachycené snímek.

Software PortableCapture

Do CD jednotky svého počítače vložte instalační CD. Zvolte složku s ohledem na operační systém vašeho zařízení. Dvojitým kliknutím na instalační soubor spustíte instalaci aplikace a postupujte podle pokynů na obrazovce.

Instalační CD obsahuje kopii uživatelské příručky, kterou můžete najít ve složce User Manual (Uživatelská příručka). Pomocí USB kabelu připojte mikroskop ke svému počítači a spusťte aplikaci PortableCapture. Není-li k počítači připojen mikroskop, otevře se okno se upozorněním.

Nabídka aplikace



Snímat statický obraz



Zahájit a ukončit nahrávání videozáznamu



Snímat sekvenci (můžete nastavit dobu zahájení pořizování statických snímků nebo videozáznamu, interval mezi nimi, délku videozáznamu a počet statických snímků nebo videozáznamů, jež se mají pořídit)



Režim celé obrazovky. K opuštění režimu celé obrazovky stiskněte klávesu Escape na klávesnici nebo dvakrát klikněte kamkoliv na obrazovce

File (Soubor)

Photos Directory (Adresář fotografií): nastavený adresář pro zachycené snímky.
Videos Directory (Adresář videí): nastavený adresář pro zachycená videa.

Options (Možnosti)

Resolution (Rozlišení): nastavení rozlišení snímků.
Date/Time (Datum/Čas): skrytí nebo zobrazení data a času zachycení během náhledu.
Language (Jazyk): změna jazyka uživatelského rozhraní.
XY Guide (Průvodce XY): skrytí nebo zobrazení mřížky na snímcích.
Full screen mode (Režim celé obrazovky): přejde na celou obrazovku.

Capture (Zachytit)

Photo (Fotografie): zachytí snímek.
Video: zachytí video.

Snímání obrazu

Klikněte na příslušnou ikonu na panelu nástrojů nebo vyberte možnost Photo (Fotografie) z nabídky Capture (Zachytit).

Pořizování videozáznamů

Klikněte na příslušnou ikonu na panelu nástrojů nebo vyberte možnost Video (Video) z nabídky Capture (Zachytit).

Zachycování sekvencí

Klikněte na příslušnou ikonu v panelu nástrojů. Otevře se dialogové okno, v němž můžete nastavit řadu parametrů pro snímání sekvencí. Kliknutím na přepínač Photo (Fotografie) nastavíte čas k zahájení záznamu snímků, interval mezi nimi a celkový počet snímků. Kliknutím na přepínač Video (Video) nastavíte čas k zahájení záznamu videí, jejich dobu trvání, interval mezi nimi a celkový počet klipů.

Calibration (Kalibrace)

Před zahájením kalibrace mikroskopu zapněte zobrazení mřížky. To se provede volbou možnosti on (zapnuto) v nabídce Options > XY Guide (Možnosti > Mřížka). Ve výchozím nastavení se mřížka zobrazuje. Na pracovním stolek položte kalibrační stupnici a zaostřete obraz. Ujistěte se, zda je svislá osa mřížky souběžná s dílky stupnice, a poříďte snímek. Dvojitým kliknutím na náhled obrázku jej otevřete v samostatném okně.



Uložit jako



Kopírovat do schránky



Kopírovat soubor



Předchozí snímek



Další snímek



Vrátit zpět poslední činnost



Opakovat poslední činnost



Nakreslit



Text



Měření



Kalibrace

Kliknutím na příslušnou ikonu v panelu nástrojů zahajete kalibraci. Pomocí myši zvolte dva body na snímku (musíte znát skutečnou vzdálenost mezi těmito body). Jakmile vyberete druhý bod, otevře se dialogové okno, kde do pole Actual dimension (Skutečný rozměr) zadáte známou vzdálenost. Aplikace automaticky vypočte zvětšení obrazu. Tlačítkem OK dialogové okno zavřete. Vypočtené zvětšení se zobrazí v poli Magnification (Zvětšení).

Poznámka: Vybrané body by měly být ve vodorovné linii.

Výsledky kalibrace můžete zkontrolovat změněním stejné vzdálenosti pomocí nástroje Straight line (Přímá čára). Kliknutím na ikonu měření vyberte nástroj Straight line (Přímá čára) a nakreslete podobnou čáru na snímek. Je-li naměřená vzdálenost stejná jako skutečná, proběhla kalibrace úspěšně.

Recalibration (Rekalibrace)

Došlo-li během pozorování ke změně hodnoty zvětšení nebo zaostření, kalibrační proces je nutné zopakovat.

Klikněte znovu na příslušnou ikonu na panelu nástrojů a z nabídky Reset magnification (Resetovat zvětšení) zvolte možnost Reset picture magnification (Resetovat zvětšení obrazu). Výše uvedeným postupem opakujte proces kalibrace. Změňte hodnotu zvětšení a poříďte několik snímků. Dvojitým kliknutím na náhledy otevřete výsledný snímek k nahlédnutí v samostatném okně. V panelu nástrojů klikněte na ikonu kalibrace a z nabídky Set magnification (Nastavit zvětšení) zvolte možnost Set picture magnification (Nastavit zvětšení obrazu). V dialogovém okně, které se otevře, zadejte aktuální zvětšení a klikněte na tlačítko OK.

Chcete-li při pořizování snímků v budoucnu použít stejné zvětšení, klikněte na ikonu kalibrace a v nabídce Set magnification (Nastavit zvětšení) zvolte možnost Set capture magnification (Nastavit zvětšení při snímání).

Measurements (Měření)

Než budete pokračovat v měření, doporučujeme systém nakalibrovat. **Straight line** (Přímá čára). Chcete-li začít kreslit čáru, stiskněte a přidržte levé tlačítko myši. Čáru ukončíte uvolněním levého tlačítka myši. **Continuous Line** (Spojitá čára). Pomocí tohoto nástroje můžete na snímku nakreslit křivku a změřit její délku.

Radius Circle (Kruh s poloměrem). Na snímku nakreslete průměr. Aplikace automaticky vypočte poloměr, obvod a plochu odpovídajícího kruhu.

Diameter Circle (Kruh s průměrem). Na snímku nakreslete průměr. Aplikace automaticky vypočte průměr, obvod a plochu odpovídajícího kruhu.

Three Points Angle (Úhel třemi body). Pomocí myši umístíte na snímku tři body. Aplikace automaticky vypočte hodnotu úhlu.

Kreslení a text

Aplikace PortableCapture umožňuje do snímků přidávat kresby nebo textová pole. Snímek otevřete v okně náhledu a v panelu nástrojů klikněte na ikonu Pencil (Tužka). Vyberte jeden z nástrojů v rozbalovací nabídce a něco na snímek nakreslete. Po kliknutí na ikonu TT v panelu nástrojů můžete upravit typ a barvu písma, které se bude používat v textových polích.

Technické údaje

LCD displej	4"
Materiál optiky	optické sklo
Rozlišení v megapixelech	5
Zvětšení	10—300x
Fotografie	*.jpg *.avi
Zaostřování	manuální, 0—100 mm
Rychlost	30 fps
Osvětlení	systém 8-LED s nastavením jasů
Materiál tělesa	plast
Napájení	5 V DC-in pomocí USB kabelu nebo baterie Li-ion 3,7 V, 1050 mAh provozní doba: 2,5 hodin; doba nabíjení: 4 hodin
Software	software pro zpracování obrázků a videa s funkcí pro měření
Jazyk rozhraní	angličtina, němčina, francouzština, španělština, ruština, japonština, čínština apod
Možnost připojení dalšího zařízení	podpora pro karty microSD s kapacitou až 32 GB (není součástí sady) připojení k PC pomocí kabelu USB (součást balení) připojení k TV pomocí kabelu AV (součást balení)
Rozsah provozní teploty	-10... +65 °C

Výrobce si vyhrazuje právo bez předchozího upozornění měnit sortiment a specifikace výrobků.

Systémové požadavky

Operační systém: Windows 7/8/10, Mac 10.14 a vyšší
CPU: alespoň P2 1 GHz nebo vyšší, RAM: 512 MB, video-karta: 512 MB
Rozhraní: USB 2.0, CD disk, jakýkoli monitor se vstupem AV

Péče a údržba

Nikdy, za žádných okolností se tímto přístrojem neďte přímo do slunce, jiného světelného zdroje nebo laseru, neboť hrozí nebezpečí TRVALÉHO POŠKOZENÍ SVĚTLICE a případně i OSLEPNUTÍ. Při použití tohoto přístroje dětmi nebo osobami, které tento návod nečetly nebo s jeho obsahem nebyly plně seznámeny, uplatněte nezbytná preventivní opatření. Po vybalení mikroskopu a před jeho prvním použitím zkontrolujte neporušenost jednotlivých komponent a spojů. Z žádného důvodu se nepokoušejte přístroj rozebrat. S opravami veškerého druhu se obračte na své místní specializované servisní středisko. Přístroj chraňte před prudkými nárazy a nadměrným mechanickým namáháním. Při zaostřování nevyvíjejte nadměrný tlak. Neutahujte šrouby konstrukce příliš silně. Nedotýkejte se svými prsty povrchů optických prvků. K vyčištění vnějších částí přístroje používejte výhradně speciální čističí ubrousky a speciální nástroje k čištění optiky dodávané společností Levenhuk. K čištění optiky nepoužívejte žádné žíraviny ani kapalnou a acetonové bázi. Abrazivní částice, například písek, by se neměly z čoček otírat, ale sfouknout nebo smést měkkým kartáčkem. Přístroj přilís dlouho nepoužívejte ani neponechávejte bez dozoru na přímém slunci. Chraňte přístroj před stykem s vodou. Při pozorování dbejte na opatrnost; po skončení pozorování vždy nasadte ochranný kryt, aby mikroskop ochránil před prachem a jiným znečištěním. Pokud svůj mikroskop nebudete delší dobu používat, uložte čočky objektivu a okuláru odděleně od samotného mikroskopu. Přístroj ukládejte na suchém, chladném místě, mimo dosah nebezpečných kyselin nebo jiných chemikálií, topných těles, otevřeného ohně a jiných zdrojů vysokých teplot. Mikroskop nepoužívejte v blízkosti hořlavých materiálů nebo látek (benzín, papír, lepenka, plast apod.), neboť staviv se může při práci zahřívát a vyvolávat riziko požáru. Před otevřením stavivu nebo výměnou žárovky osvětlení vždy mikroskop odpojte od zdroje napájení. Bez ohledu na typ žárovky (halogenová nebo obyčejná) ji nechejte před výměnou nějakou dobu vychladnout a vždy ji vyměňujte za žárovku stejného typu. Vždy používejte napájení o správném napětí tak, jak je uvedeno v technických údajích vašeho nového mikroskopu. Připojení přístroje do odlišné zásuvky může vést k poškození elektronických obvodů mikroskopu, spálení žárovky nebo dokonce vyvolat zkrat. **Děti by nikdy mikroskop používat pouze pod dohledem dospělé osoby. Při náhodném požití malé součásti nebo baterie ihned vyhledejte lékařskou pomoc.**

Bezpečnostní pokyny týkající se baterií

Vždy nakupujte baterie správné velikosti a typu, které jsou nejvhodnější pro zamýšlený účel. Při výměně vždy nahrazujte celou sadu baterií a dbejte na to, abyste nemíchali staré a nové baterie, případně baterie různých typů. Před instalací baterií vyčistěte kontakty na baterii i na přístroji. Ujistěte se, zda jsou baterie instalovány ve správné polaritě (+ resp. -). V případě, že zařízení nebudete delší dobu používat, vyjměte z něj baterie. Použití baterie včas vyměňujte. Baterie nikdy nezkratujte, mohlo by to vést ke zvýšení teploty, úniku obsahu baterie nebo k explozi. Baterie se nikdy nepokoušejte oživit zahříváním. Nepokoušejte se rozebrat baterie. Po použití nezapomeňte přístroj vypnout. Baterie uchovávejte mimo dosah dětí, abyste předešli riziku spolknutí, vdechnutí nebo otravy. S použitými bateriemi nakládejte v souladu s vašimi vnitrostátními předpisy.

Záruka Levenhuk

Na optické výrobky Levenhuk je poskytována **2 letá záruka** na vady materiálů a provedení. Na veškeré příslušenství značky Levenhuk se poskytuje záruka, že po dobu **2 let** od data zakoupení v maloobchodní prodejné bude bez vad materiálu a provedení. Tato záruka vám v případě splnění všech záručních podmínek dává nárok na bezplatnou opravu nebo výměnu výrobku značky Levenhuk v libovolné zemi, v níž se nachází pobočka společnosti Levenhuk.

Další informace navštivte naše webové stránky: www.levenhuk.cz/zaruka
V případě problémů s uplatněním záruky, nebo pokud budete potřebovat pomoc při používání svého výrobku, obraťte se na místní pobočku společnosti Levenhuk.

Discovery

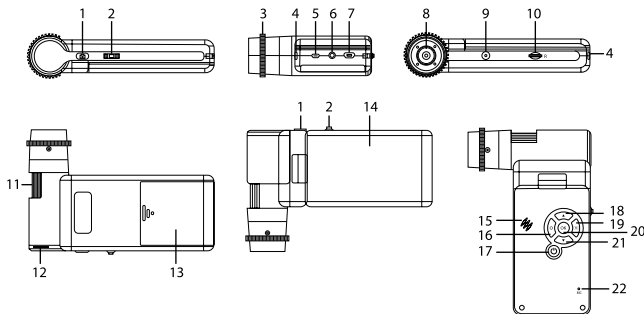
Artisan 1024

Digitales Mikroskop

DE

Mikroskopkomponenten

- | | | | | | | | | | | | | | | | | | | | | | |
|--------------------|-----------------------------|----------------------|---------------|----------------|--------------|--|------------|------------------------|----------------------|------------|------------------------|----------------|-------------------------------------|----------------|---------------|---------------------|------------|-------------------------|-------------------|-----------|------------|
| ➊ Aufnahme­metaste | ➋ Vergrößerungs-Einstellrad | ➌ Polarisierungsring | ➍ Ladeanzeige | ➎ HDMI-Ausgang | ➏ AV-Ausgang | ➐ DC: Ladeanschluss
USB: PC-Anschluss | ➑ Objektiv | ➒ ¼-Zoll-Stativgewinde | ➓ MicroSD-Steckplatz | ➑ Fokusrad | ➒ Helligkeits-Stellrad | ➓ Batteriefach | ➑ LCD-Farbdisplay, 10,1 cm (4 Zoll) | ➒ Lautsprecher | ➓ Einrichtung | ➑ Ein-/Aus­schalter | ➒ Aufwärts | ➓ Foto/Video/Wiedergabe | ➑ OK (Bestätigen) | ➒ Abwärts | ➓ Mikrofon |
|--------------------|-----------------------------|----------------------|---------------|----------------|--------------|--|------------|------------------------|----------------------|------------|------------------------|----------------|-------------------------------------|----------------|---------------|---------------------|------------|-------------------------|-------------------|-----------|------------|



Lieferumfang: Mikroskop, Stativ, Lithium-Ionen-Akku, USB-Kabel, AV-Kabel, Stromkabel, Installations-CD, Tasche, Bedienungsanleitung und Garantieschein.

Richten Sie das Instrument unter keinen Umständen direkt auf die Sonne, andere helle Lichtquellen oder Laserquellen. Es besteht die Gefahr DAUERHAFTER NETZZHAUTSCHÄDEN und ERBLINDUNGSGEFAHR.

Zusammenbau des Mikroskops

Öffnen Sie das Batteriefach und legen Sie die Batterie in das Batteriefach ein. Achten Sie dabei auf korrekte Polung. Die Batterie muss vor dem ersten Einschalten des Mikroskops vollständig aufgeladen werden. Stecken Sie das Netzkabel in die Buchse am Sockel (7) des Mikroskops und schließen Sie das Netzteil an eine Stromquelle an. Die Batteriestandsanzeige (4) leuchtet rot auf. Die Anzeige erlischt, wenn die Batterie vollständig geladen ist. Anschließend können Sie das Mikroskop von der Stromquelle trennen und einschalten. Eine Batterieladung reicht für 2,5 Stunden Mikroskopbetrieb. Bei niedrigem Ladestand der Batterie wird die Beleuchtung abgedunkelt und die Bildqualität reduziert. Wenn dies geschieht, laden Sie die Batterie wie oben beschrieben.

Zum Speichern von Bild- und Videoaufnahmen ist eine microSD-Karte (separat erhältlich) erforderlich. Schalten Sie das Mikroskop aus und schieben Sie die microSD-Karte in den microSD-Schlitz am Mikroskopsockel ein, bis sie mit einem Klicken einrastet. Wenden Sie beim Einführen der microSD-Karte keine übermäßige Kraft an. Falls sich die Karte nicht leicht einrasten lässt, führen Sie sie anders herum ein. Formatieren Sie die Karte vor der Verwendung. Öffnen Sie das LCD-Display oder drücken Sie den Einschalter (17), um das Mikroskop einzuschalten. Schließen Sie das LCD-Display oder drücken Sie den Einschalter (17) erneut (weitere Informationen finden Sie unter Strom sparen), um das Mikroskop auszuschalten.

Anzeigesymbole

- | | | | |
|------------|------------------------|---------------|---|
| | Nimmt ein Bild auf | | Startet und stoppt die Videoaufzeichnung |
| | Wiedergabe | 001618 | Anzahl der Bilder, die insgesamt noch aufgenommen werden können – je nach Auflösung |
| 12M | Aktuelle Bildauflösung | | MicroSD-Status |
| | Akkustandsanzeige | | |

Hinweis: Die Anzeigesymbole werden ausgeblendet, wenn Sie das Gerät 10 Sekunden lang nicht bedienen.

Aufnehmen eines Bilds

Schalten Sie das Mikroskop ein und richten Sie es auf ein Objekt. Achten Sie darauf, dass das LCD-Display ganz ausgeklappt ist. Regeln Sie die Helligkeit der Beleuchtung so, dass die Probe gleichmäßig ausgeleuchtet ist. Passen Sie die Vergrößerung an, stellen Sie die Ansicht scharf und drücken Sie die Aufnahme­metaste (1), um ein Bild aufzunehmen.

Aufzeichnen eines Videos

Drücken Sie die Foto/Video/Wiedergabe-Taste (19), um in den Videomodus zu wechseln. Das Symbol oben links im Bildschirm zeigt den Videomodus an. Drücken Sie einmal die Aufnahmetaste (1), um die Aufzeichnung zu starten, und ein weiteres Mal, um sie zu stoppen.

Wiedergabe

Wechseln Sie mit der Foto/Video/Wiedergabe-Taste (19) zum Wiedergabemodus. Das Symbol oben links im Bildschirm zeigt den Wiedergabemodus an. Wählen Sie das gewünschte Foto oder den Videoclip mit den Tasten Aufwärts (18) / Abwärts (21), drücken Sie OK (20) zum Abspielen.

Löschen von Dateien

Drücken beim Durchsehen gespeicherter Dateien die Einrichtung-Taste (16), wählen Sie Löschen und drücken Sie OK (20), um die Auswahl zu bestätigen. (Ein Menü wird angezeigt, in dem Sie auswählen können, ob Sie alles löschen möchten oder nur die gerade ausgewählte Datei.)

Schützen von Dateien

Drücken beim Durchsehen gespeicherter Dateien die Einrichtung-Taste (16), wählen Sie Protect (Schützen) und drücken Sie OK (20), um die Auswahl zu bestätigen. (Ein Menü wird angezeigt, in dem Sie auswählen können, ob Sie alles schützen möchten oder nur die gerade ausgewählte Datei.)

Vergrößerung

Drehen Sie am Vergrößerungs-Einstellrad (2), um die Ansicht ein- oder auszuzoomen.

Polarisationsfilter

Mit dem Polarisationsfilter können Sie Lichtreflexionen auf glänzenden Oberflächen wie Metallen, Kristallen, Wasser und dergleichen reduzieren. Zum Regeln des Polarisierungseffektes drehen Sie den Polarisierungsring (3) um bis zu 90°.

Bilder zum PC übertragen

Legen Sie eine microSD-Karte in den Steckplatz ein. Schließen Sie das Mikroskop per USB-Kabel an den PC an; nun können Sie die Bilder auf der Speicherkarte zum PC übertragen.

Vorschau am PC

Funktioniert nur, wenn zuvor die Software installiert wurde. Nehmen Sie die microSD-Karte aus dem Steckplatz. Schließen Sie das Mikroskop per USB-Kabel an den PC an.

Anschließen des Mikroskops an einen Fernseher

Stecken Sie das AV-Kabel in die entsprechende Buchse am Mikroskop und schließen Sie die andere Seite an Ihren Fernseher an. (Weitere Informationen entnehmen Sie bitte der Anleitung Ihres Fernsehgeräts.) Schalten Sie den Fernseher ein und wählen Sie im Menü den entsprechenden Eingang aus (siehe Anleitung Ihres Fernsehgeräts).

Anbringen des Stativs

Stellen Sie das Stativ auf eine stabile Oberfläche. Setzen Sie die Stativschraube am Stativgewinde (9) des Mikroskops an und drehen Sie das Mikroskop, bis es fest sitzt. Drehen Sie das Mikroskop vorsichtig, um Beschädigungen an Mikroskop oder Stativ durch zu festes Anziehen zu vermeiden. Die Stativhöhe kann bei Bedarf angepasst werden.

Menü anzeigen

Drücken Sie zum Anzeigen des Hauptmenüs die Einrichtung-Taste (16). In diesem Menü können Sie Bild- und Videoauflösung einstellen, die gewünschte Sprache wählen, den Energiesparmodus einschalten, Datum und Uhrzeit anzeigen oder verbergen, die Verbindung zum Fernseher/Monitor einrichten, die SD-Karte formatieren, Einstellungen rücksetzen und die Hardwareversion abrufen. Zusätzlich können Sie über dieses Menü auf den Schleifenaufnahmemodus und die Zeitstempel-Option zugreifen.

Auflösung

Wählen Sie Bild- oder Videoauflösung über das Hauptmenü, wählen Sie die gewünschte Auflösung mit der Abwärtstaste (21), bestätigen Sie Ihre Auswahl anschließend mit der OK-Taste (20).

Hinweis: Dieses Modell unterstützt folgende Bildauflösungen: 12 MP, 10 MP, 8 MP, 5 MP, 3 MP. Videoauflösungen: 1080p, 720p.

Erfassungsmodus

Drücken Sie im Fotomodus die Einstelltaste (16), wählen Sie dann den Capture-Modus (Erfassungsmodus) zum Einrichten der Bilderfassung. Beispielsweise können Sie das Mikroskop so einstellen, dass alle 5 Sekunden ein Foto aufgenommen wird.

Schleifenaufnahme (Loop)

Drücken Sie im Videomodus die Einstelltaste (16), wählen Sie den Loop-Aufnahmemodus (Schleifenaufnahme). Sie können die Dauer der Videoaufnahme auswählen oder den Schleifenmodus ganz abschalten. Wenn der Schleifenaufnahmemodus aktiv ist, werden Videos der ausgewählten Dauer mit neu aufgenommenen Videos überschrieben.

Zeitstempel

Wählen Sie Zeitstempel aus dem Hauptmenü, anschließend die gewünschte Option.

Datum und Uhrzeit

Wählen Sie mit der Abwärtstaste (21) Datum/Zeit aus dem Hauptmenü, stellen Sie dann das aktuelle Datum und die Uhrzeit ein.

TV-Anschluss

Wählen Sie TV-Modus aus dem Hauptmenü, wählen Sie dann zwischen PAL und NTSC. In Deutschland wählen Sie gewöhnlich PAL. Bestätigen Sie die Auswahl mit der OK-Taste (20).

Energiesparen

Wählen Sie Auto-Abschaltung aus dem Hauptmenü, stellen Sie dann die Leerlaufzeit ein, nach deren Verstreichen sich das Mikroskop automatisch abschalten soll. Bestätigen Sie die Auswahl mit der OK-Taste (20).

Werkseinstellungen

Zum Rücksetzen der Einstellungen auf die Werksvorgaben wählen Sie Werkseinstellungen aus dem Hauptmenü.

Sprache

Wählen Sie Sprache aus dem Hauptmenü, wählen Sie dann unter den möglichen Einstellungen. Bestätigen Sie die Auswahl mit der OK-Taste (20).

MicroSD-Karte formatieren

Zum Formatieren der eingelegten Speicherkarte wählen Sie SD formatieren aus dem Hauptmenü. Beim Formatieren werden alle Dateien auf der Karte gelöscht! Gewöhnlich müssen SD-Karten nicht formatiert werden; nur dann, falls sich keine Bilder darauf speichern lassen.

PortableCapture-Software

Legen Sie die Installations-CD in Ihr CD-Laufwerk ein. Wählen Sie den zum Betriebssystem Ihres Gerätes passenden Ordner. Doppelklicken Sie zum Installieren der Applikation auf die Installationsdatei, lassen Sie sich dann von den Hinweisen auf dem Bildschirm durch die weiteren Schritte führen. Die Installations-CD enthält eine Kopie der Bedienungsanleitung. Diese finden Sie im "User Manual" (Bedienungsanleitung)-Ordner. Schließen Sie das Mikroskop über ein USB-Kabel an den PC an, starten Sie dann die PortableCapture-Applikation. Falls das Mikroskop nicht mit dem PC verbunden ist, erscheint ein entsprechender Hinweis.

Applikationsmenü



Bild aufnehmen



Videoaufzeichnung
starten und stoppen



Serienaufnahme – Sie können die Zeit festlegen, zu der die Aufnahme von Bildern oder Videos beginnen soll, den zeitlichen Abstand zwischen den Bildern, die Dauer des Videos und die Anzahl der aufzunehmenden Bilder oder Videos



Vollbildmodus. Zum Verlassen des Vollbildmodus drücken Sie die Esc-Taste oder doppelklicken auf eine beliebige Stelle des Bildschirms

Datei

Fotoordner: Hier legen Sie den Ordner fest, in dem aufgenommene Bilder gespeichert werden sollen.

Videoordner: Hier legen Sie den Ordner fest, in dem aufgenommene Videos gespeichert werden.

Optionen

Auflösung: Hier stellen Sie die gewünschte Bildauflösung ein.

Datum/Zeit: Hier stellen Sie ein, ob Datum und Uhrzeit in der Vorschau angezeigt werden sollen.

Sprache: Hier wählen Sie die Sprache aus, die in der Applikation verwendet werden soll. Fadenkreuz: Hier wählen Sie aus, ob Bilder mit einem groben Raster überlagert werden sollen.

Vollbildansicht: Zeigt das Bild in voller Bildschirmgröße an.

Erfassen

Foto: Nimmt ein Foto auf.

Video: Nimmt ein Video auf.

Bilder aufnehmen

Klicken Sie auf das Foto-Symbol in der Symbolleiste oder wählen Sie Foto aus dem Erfassen-Menü.

Videos aufnehmen

Klicken Sie auf das Video-Symbol in der Symbolleiste oder wählen Sie Video aus dem Erfassen-Menü.

Serienaufnahme

Klicken Sie das Symbol in der Symbolleiste an. Ein Dialogfenster erscheint, in dem Sie verschiedene Parameter zur Serienaufnahme festlegen können. Klicken Sie auf die Foto-Schaltfläche – nun können Sie festlegen, wann die Fotoaufnahme beginnen soll, wie viel Zeit zwischen den Aufnahmen verstreicht und wie viele Bilder insgesamt aufgenommen werden. Wenn Sie auf die Video-Schaltfläche klicken, können Sie festlegen, wann die Videoaufnahme beginnen soll, wie lang die Videos werden sollen, wie viel Zeit zwischen den Aufnahmen verstreicht und wie viele Videos insgesamt aufgenommen werden.



Speichern unter



In die Zwischenablage
kopieren



Datei kopieren



Vorheriges Bild



Nächstes Bild



Letzte Aktion rückgängig
machen



Die letzte Aktion
wiederholen



Zeichnen



Text



Message



Kalibrieren

Kalibrieren

Schalten Sie die Gitteranzeige ein, bevor Sie das Mikroskop kalibrieren. Wählen Sie dazu im Menü Optionen unter dem Eintrag Fadenkreuz die Option ein. Standardmäßig ist das Fadenkreuz sichtbar. Legen Sie die Kalibrierungsskala auf den Objektisch und stellen Sie das Bild scharf. Die vertikale Achse des Fadenkreuzes muss parallel zur Skalenteilung verlaufen. Nehmen Sie ein Bild auf. Klicken Sie doppelt auf die Miniaturansicht des Bilds, um es in einem separaten Fenster zu öffnen.

Starten Sie die Kalibrierung, indem Sie auf das entsprechende Symbol in der Symbolleiste klicken. Wählen Sie mit der Maus zwei Punkte auf dem Bild, deren tatsächlichen Abstand Sie kennen. Nachdem Sie den zweiten Punkt ausgewählt haben, öffnet sich ein Dialogfenster. Tragen Sie im Feld Istmaß den bekannten Abstand ein. Die Anwendung berechnet automatisch die Vergrößerung des Bilds. Klicken Sie auf OK. Das Dialogfenster wird geschlossen. Die berechnete Vergrößerung wird im Feld Vergrößerung angezeigt.

Hinweis: Die gewählten Punkte müssen auf einer horizontalen Linie liegen.

Sie können die Kalibrierungsergebnisse prüfen, indem Sie dieselbe Entfernung mit dem Linie-Werkzeug messen. Klicken Sie auf das Linie-Werkzeug, ziehen Sie an der gewünschten Stelle eine Linie im Bild. Wenn die gemessene Entfernung mit der tatsächlichen Entfernung übereinstimmt, war die Kalibrierung erfolgreich.

Neukalibrierung

Wird während der Beobachtung die Vergrößerung oder die Scharfstellung verändert, muss die Kalibrierung wiederholt werden.

Klicken Sie erneut auf das entsprechende Symbol in der Symbolleiste und wählen Sie unter Vergrößerung zurücksetzen die Option Bildvergrößerung zurücksetzen. Wiederholen Sie den Kalibriervorgang wie oben beschrieben. Ändern Sie die Vergrößerung und nehmen Sie einige Bilder auf. Klicken Sie doppelt auf die Miniaturansichten, um das entsprechende Bild in einem Vorschaufenster anzuzeigen. Klicken Sie in der Symbolleiste auf das Kalibrierungssymbol und wählen Sie unter Vergrößerung einstellen die Option Bildvergrößerung einstellen. Geben Sie in dem Dialogfenster, das angezeigt wird, die aktuelle Vergrößerung ein, und klicken Sie auf OK.

Wenn Sie bei der Aufnahme von Bildern später dieselbe Vergrößerung erneut verwenden, klicken Sie auf das Kalibrierungssymbol in der Symbolleiste und wählen Sie unter Vergrößerung einstellen die Option Vorschauvergrößerung einstellen.

Messungen

Wir empfehlen, zunächst eine Kalibrierung durchzuführen, bevor Sie mit dem Messen anfangen.

Linie. Halten Sie zum Zeichnen einer Linie die linke Maustaste gedrückt. Am Ende der Linie lassen Sie die linke Maustaste wieder los.

Mehrpunktlinie. Mit diesem Werkzeug können Sie aus Linien zusammengesetzte Kurven im Bild zeichnen und deren Länge messen.

Radius. Ziehen Sie eine Linie im Bild. Die Applikation berechnet den Radius, Umfang und die Fläche des daraus resultierenden Kreises.

Durchmesser. Ziehen Sie eine Linie im Bild. Die Applikation berechnet den Durchmesser, Umfang und die Fläche des daraus resultierenden Kreises.

3-Punkte-Winkel. Markieren Sie mit der Maus drei Punkte im Bild. Die Applikation berechnet den sich daraus ergebenden Winkel.

Zeichnen und Beschriften

Mit PortableCapture können Sie auf Ihren Bildern zeichnen oder sie mit Hinweisen versehen. Öffnen Sie ein Bild in einem Vorschaufenster und klicken Sie auf das Bleistiftsymbol in der Symbolleiste. Wählen Sie eines der Werkzeuge aus dem Dropdown-Menü und zeichnen Sie etwas auf dem Bild. Zum Ändern der Schriftart und -farbe von Hinweisen können Sie auf das TT Symbol in der Symbolleiste klicken.

Technische Daten

LC-Display	4"
Optikmaterial	optisches Glas
Megapixel	5
Vergrößerung	10- bis 300-fach
Foto	*.jpg
Video	*.avi
Fokussierung	manuell, 0—100 mm
Geschwindigkeit	30 fps
Beleuchtung	8-LED-System mit Helligkeitsregelung
Gehäusematerial	Kunststoff
Stromversorgung	5 V Gleichspannung über USB-Kabel oder Lithium-Ionen-Akku: 3,7 V, 1050 mAh Betriebszeit: 2,5 Stunden. Ladezeit: 4 Stunden
Software	Bild- und Videoverarbeitungssoftware mit Messfunktion
Schnittstellensprache	Englisch, Deutsch, Französisch, Spanisch, Russisch, Japanisch, Chinesisch usw.
Möglichkeiten zum Anschluss externer Geräte	microSD-Karten bis zu 32 GB (nicht im Lieferumfang) PC-Anschluss per USB-Kabel (mitgeliefert) TV-Anschluss über AV-Kabel (mitgeliefert)
Umgebungstemperatur	-10... +65 °C

Der Hersteller behält sich das Recht vor, ohne Vorankündigung Änderungen an der Produktpalette und den technischen Daten vorzunehmen.

Systemanforderungen

Betriebssystem: Windows 7/8/10, Mac 10.14 oder neuer
CPU: Mindestens P4 1 GHz, RAM: 512 Mb, Grafikkarte: 512 Mb
Schnittstelle: USB 2.0, CD-Laufwerk, Monitor: jeder Monitor mit AV-Eingang

Pflege und Wartung

Richten Sie das Instrument ohne Spezialfilter unter keinen Umständen direkt auf Richten Sie das Instrument unter keinen Umständen direkt auf die Sonne, andere helle Lichtquellen oder Laserquellen. Es besteht die Gefahr DAUERHAFTER NETZHAUTSCHÄDEN und ERBLINDUNGSGEFAHR. Treffen Sie geeignete Vorsichtsmaßnahmen, wenn Kinder oder Menschen das Instrument benutzen, die diese Anleitung nicht gelesen bzw. verstanden haben. Prüfen Sie nach dem Auspacken Ihres Mikroskops und vor der ersten Verwendung die einzelnen Komponenten und Verbindungen auf ihre Beständigkeit. Versuchen Sie nicht, das Instrument eigenmächtig auseinanderzunehmen. Wenden Sie sich für Reparaturen oder zur Reinigung an ein spezialisiertes Servicecenter vor Ort. Schützen Sie das Instrument vor plötzlichen Stößen und anderen mechanischen Belastungen. Üben Sie beim Fokussieren keinen übermäßigen Druck aus. Wenden Sie keine übermäßige Kraft auf die Feststellschrauben und Fixierungsschrauben an. Berühren Sie die optischen Oberflächen nicht mit den Fingern. Verwenden Sie zur äußerlichen Reinigung des Instruments ausschließlich die speziellen Reinigungstücher und das spezielle Optik-Reinigungszubehör von Levenhuk. Reinigen Sie die Optik nicht mit korrodierenden Flüssigkeiten oder Flüssigkeiten auf Acetonbasis. Schleifkörper wie Sandkörner dürfen nicht abgewischt werden. Sie können sie wegblasen oder einen weichen Pinsel verwenden.

Das Instrument ist nicht für Dauerbetrieb ausgelegt. Lassen Sie das Instrument nicht in direktem Sonnenlicht zurück. Halten Sie das Instrument von Wasser und hoher Feuchtigkeit fern. Lassen Sie Sorgfalt bei der Beobachtung walten und setzen Sie nach Abschluss der Beobachtung die Staubabdeckung wieder auf, um das Gerät vor Staub und Verschmutzungen zu schützen. Bewahren Sie bei längeren Phasen der Nichtbenutzung die Objektivlinsen und Okulare getrennt vom Mikroskop auf. Lagern Sie das Instrument an einem trockenen, kühlen Ort, der frei von Staub, gefährlichen Säuren und anderen Chemikalien ist, und in ausreichendem Abstand zu Heizgeräten, offenem Feuer und anderen Hochtemperaturquellen. Setzen Sie das Mikroskop nach Möglichkeit nicht in der Nähe brennbarer Materialien oder Substanzen (Benzol, Papier, Karton, Plastik usw.) ein, da sich der Sockel bei der Verwendung erhitzen kann und dies bei Anwesenheit brennbarer Stoffe ein Brandrisiko darstellt. Trennen Sie das Mikroskop immer vom Strom, bevor Sie den Sockel öffnen oder die Beleuchtungslampe austauschen. Lassen Sie sowohl Glühlampen als auch Halogenlampen vor dem Auswechseln zunächst abkühlen, und ersetzen Sie sie stets durch Lampen desselben Typs. Verwenden Sie stets eine Stromquelle mit der Spannung, die in den technischen Angaben zu Ihrem Mikroskop spezifiziert ist. Wird das Instrument an eine Steckdose mit abweichender Spannung angeschlossen, ist mit Beschädigung der elektrischen Schaltkreise des Mikroskops, Durchbrennen der Lampe oder sogar Kurzschlüssen zu rechnen. **Kinder dürfen das Mikroskop nur unter Aufsicht Erwachsener verwenden. Bei Verschlucken eines Kleinteils oder einer Batterie umgehend ärztliche Hilfe suchen!**

Sicherheitshinweise zum Umgang mit Batterien

Immer die richtige, für den beabsichtigten Einsatz am besten geeignete Batteriegröße und -art erwerben. Stets alle Batterien gleichzeitig ersetzen. Alte und neue Batterien oder Batterien verschiedenen Typs nicht mischen. Batteriekontakte und Kontakte am Instrument vor Installation der Batterien reinigen. Beim Einlegen der Batterien auf korrekte Polung (+ und -) achten. Batterien entnehmen, wenn das Instrument für einen längeren Zeitraum nicht benutzt werden soll. Verbrauchte Batterien umgehend entnehmen. Batterien nicht kurzschließen, um Hitzentwicklung, Auslaufen oder Explosionen zu vermeiden. Batterien dürfen nicht zum Wiederbeleben erwärmt werden. Batterien nicht öffnen. Instrumente nach Verwendung ausschalten. Batterien für Kinder unzugänglich aufbewahren, um Verschlucken, Ersticken und Vergiftungen zu vermeiden. Entsorgen Sie leere Batterien gemäß den einschlägigen Vorschriften.

Levenhuk Garantie

Optikprodukte von Levenhuk haben eine **2-jährige** Garantie auf Material- und Verarbeitungsfehler. Für sämtliches Levenhuk-Zubehör gilt auch eine **2-jährige** Garantie ab Kaufdatum im Einzelhandel auf Material- und Verarbeitungsfehler. Die Garantie berechtigt in Ländern, in denen Levenhuk mit einer Niederlassung vertreten ist, zu Reparatur oder Austausch von Levenhuk-Produkten, sofern alle Garantiebedingungen erfüllt sind.

Für weitere Einzelheiten besuchen Sie bitte unsere Website:
www.levenhuk.de/garantie

Bei Problemen mit der Garantie, oder wenn Sie Unterstützung bei der Verwendung Ihres Produkts benötigen, wenden Sie sich an die lokale Levenhuk-Niederlassung.

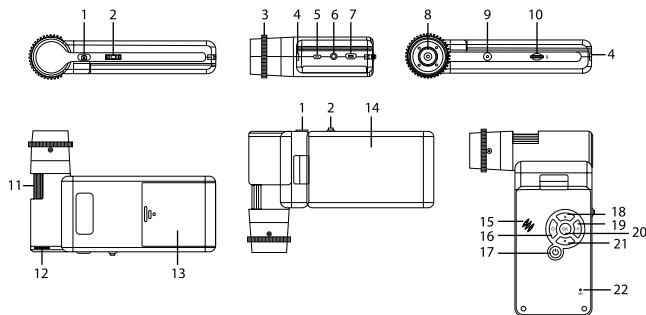
Discovery Artisan 1024

Microscopio digital

ES

Partes del microscopio

- ❶ Captura
- ❷ Rueda de ajuste de la ampliación
- ❸ Rueda polarizadora
- ❹ Indicador de carga
- ❺ Salida HDMI
- ❻ Salida de AV
- ❼ Corriente continua: cargar batería
USB: transferir a PC
- ❽ Objetivo
- ❾ Rosca de 0,25 pulgadas
- ❿ Ranura de tarjeta MicroSD
- ⓫ Rueda de enfoque
- ⓬ Rueda de ajuste de brillo
- ⓭ Compartimento de las baterías
- ⓮ Pantalla LCD a color de 4 pulgadas
- ⓯ Altavoz
- ⓰ Configurar
- ⓱ Encendido/apagado
- ⓲ Flecha arriba
- ⓳ Foto/Vídeo/Reproducción
- ⓴ OK (Confirmar)
- ⓵ Flecha abajo
- ⓶ Micrófono



El kit incluye: microscopio, trípode, batería recargable, cable de alimentación, cable USB, cable AV, CD de instalación, funda, manual del usuario y garantía.






Nunca mire al Sol ni a otra fuente de luz intensa ni a un láser bajo ninguna circunstancia, ya que podría causarle DAÑOS PERMANENTES EN LA RETINA y podría provocar CEGUERA.

Montaje del microscopio

Abra el compartimento de las baterías e inserte la batería en el compartimento de las baterías haciendo coincidir la polaridad indicada. La batería debe estar completamente cargada antes de encender el microscopio por primera vez. Enchufe el cable de alimentación en el conector para el cable de alimentación del cuerpo del microscopio (7) y conéctelo a un enchufe. El indicador del estado de la batería (4) se iluminará en rojo. Cuando la batería esté completamente cargada el indicador se apagará. Ahora puede desconectar el microscopio de la fuente de alimentación y encenderlo. La batería totalmente cargada le permite usar el microscopio durante 2,5 horas. La intensidad de la iluminación y la calidad de la imagen disminuirán para informarle de que le queda poca batería. Cargue la batería siguiendo las instrucciones anteriores.

Es necesaria una tarjeta MicroSD (se compra por separado) para guardar las imágenes capturadas y los videos grabados. Apague el microscopio e inserte la tarjeta MicroSD en la ranura correspondiente en el cuerpo del microscopio hasta que se fije con un clic. No haga demasiada fuerza cuando inserte la tarjeta MicroSD. Intente rotar la tarjeta si no se fija fácilmente. Formatee la tarjeta antes de usarla. Para encender el microscopio, abra la pantalla LCD o pulse el botón de encendido (17). Para apagar el microscopio, cierre la pantalla LCD o presione el botón de encendido (17) de nuevo (consulte la sección de Ahorro de energía para más información).

Iconos de pantalla

-  Capturar una imagen
-  Reproducción
- 12M** Resolución actual de la imagen
-  Indicador de estado de la batería
-  Iniciar y detener una grabación de video
- 001618** Número total de imágenes que se pueden capturar para la resolución actual
-  Icono de estado de MicroSD

Nota: Los iconos de la interfaz pasarán a estar ocultos si no se pulsa una tecla y se mantiene pulsada durante 10 segundos.

Capturar una imagen

Encienda el microscopio y apunte a un objeto. Asegúrese de que la pantalla LCD esté abierta completamente. Ajuste el brillo de la iluminación de manera que el espécimen esté iluminado de forma regular. Cambie la ampliación, enfoque la vista y pulse el botón disparador (1) para capturar una imagen.

Grabar un vídeo

Pulse la tecla Foto/Vídeo/Reproducción (19) para pasar al modo de vídeo. El icono en la esquina superior izquierda de la pantalla cambiará para confirmar. Presione el botón disparador (1) para comenzar a grabar y vuelva a presionarlo para parar.

Reproducción

Pulse el botón Foto/Vídeo/Reproducción (19) para cambiar al modo de reproducción. El icono en la esquina superior izquierda de la pantalla cambiará para confirmar. Seleccione la foto o el videoclip con los botones Arriba (18) y Abajo (21) y pulse OK (20) para verlo.

Borrar archivos

Cuando navegue por los archivos guardados, pulse el botón Configurar (16), seleccione Borrar... y pulse OK (20) para confirmar la selección (puede elegir entre borrarlo todo o solo el archivo seleccionado en el menú).

Proteger archivos

Cuando navegue por los archivos guardados, pulse el botón Configurar (16), seleccione Proteger y pulse OK (20) para confirmar la selección (puede elegir entre protegerlo todo o solo el archivo seleccionado en el menú).

Ampliación

Gire la rueda de ajuste de la ampliación (2) para acercar o alejar la vista.

Filtro polarizador

Puede usar el filtro polarizador para reducir el reflejo de la luz mientras observa objetos con superficie brillante como metal, cristales, etc. Gire la rueda polarizadora (3) 90 grados para activar o desactivar el efecto polarizador.

Almacenamiento masivo en un PC

Inserte una tarjeta MicroSD en la ranura. Conecte el microscopio a su PC con el cable USB para descargar imágenes desde la tarjeta al PC.

Vista previa en un PC

Solamente funciona con el software instalado. Extraiga la tarjeta MicroSD de la ranura. Conecte el microscopio a su PC con el cable USB.

Conectar el microscopio a un televisor

Enchufe el cable AV al microscopio y conéctelo a su televisor (consulte la guía de usuario de su televisor para más información). Encienda el televisor y seleccione el canal correcto en el menú correspondiente del televisor (consulte la guía de usuario de su televisor para más información).

Montar el trípode

Sítúe el trípode en una superficie estable. Conéctelo al agujero con rosca (9) del microscopio y rote el microscopio hasta que quede fijo. No ejerza demasiada fuerza en la rotación ya que podría dañar tanto el microscopio como el trípode. Si es necesario puede ajustar la altura del trípode.

Mostrar menú

Pulse el botón Configurar (16) para abrir el menú de pantalla principal. Desde este menú, puede establecer la resolución de la imagen o vídeo, definir el idioma de la interfaz, activar la modalidad de ahorro de energía, mostrar u ocultar la fecha y hora, configurar la conexión de TV, formatear la tarjeta SD, restablecer valores y comprobar la versión de hardware. Desde este menú también puede acceder al Modo de grabación en bucle y a la opción Impresión de la fecha.

Resolución

Seleccione Resolución en el menú principal y elija la resolución necesaria para la imagen o vídeo pulsando el botón Flecha abajo (21). Luego confirme la selección pulsando el botón OK (20).

Nota: Este modelo es compatible con las resoluciones de imagen siguientes: 12M, 10M, 8M, 5M, 3M; resoluciones de vídeo: 1080p, 720p.

Modo de captura

En el modo de fotografía, pulse el botón Ajuste (16) y elija el modo Capture (Captura) para configurar la captura de las secuencias. Por ejemplo, puede configurar el microscopio para tomar una foto cada 5 segundos.

Grabación en bucle

En el modo Vídeo, pulse el botón Ajuste (16) y elija el modo Loop recording (el modo de grabación en bucle). Puede seleccionar la duración del videoclip o desactivar el modo de grabación en bucle. Cuando el modo de grabación en bucle está activado, cada clip de vídeo de la duración seleccionada se grabará sobre el anterior.

Impresión de la fecha

Seleccione Impresión de la fecha en el menú principal y luego seleccione la opción deseada.

Fecha y hora

Seleccione Fecha/Hora en el menú principal pulsando el botón Flecha abajo (21) y establezca la fecha y hora actuales.

Conexión de televisor

Seleccione Modo televisor en el menú principal y luego seleccione entre NTSC y PAL, la modalidad correcta que sea compatible con su televisor. Pulse el botón OK (20) para confirmar la selección.

Ahorro de energía

Seleccione Apagado automático en el menú principal y establezca el tiempo de inactividad que debe transcurrir para que el microscopio se apague automáticamente. Pulse el botón OK (20) para confirmar la selección.

Restaurar la configuración

Seleccione Configuración predeterminada en el menú principal para restaurar la configuración inicial de fábrica.

Idioma

Seleccione Idioma en el menú principal y elija una de las opciones existentes. Pulse el botón OK (20) para confirmar la selección.

Formateo de la tarjeta MicroSD

Seleccione Formatear SD en el menú principal para formatear la tarjeta de memoria instalada. Después de formatear la tarjeta, se suprimirán todos los archivos contenidos en ella. Normalmente no es necesario formatear la tarjeta a menos que la tarjeta no pueda almacenar la imagen capturada.

Software de PortableCapture

Inserte el CD de instalación en su unidad de CD. Elija la carpeta según el sistema operativo de su dispositivo. Haga doble clic en el archivo de instalación para instalar la aplicación y siga las instrucciones de la pantalla. El CD de instalación contiene una copia del manual del usuario, que puede encontrar en la carpeta User Manual (Manual del usuario). Conecte el microscopio al PC con un cable USB y ejecute la aplicación PortableCapture. Un mensaje emergente le avisará si el microscopio no está conectado al PC.

Menú de la aplicación



Capturar una imagen



Iniciar y detener una grabación de vídeo



Captura de secuencia (puede definir la hora para iniciar la captura de imágenes o vídeos, el intervalo entre ellos, la duración del vídeo y el número de imágenes o vídeos que se deben capturar)



Modo de pantalla completa. Para salir del modo de pantalla completa, pulse Escape en el teclado o haga una doble pulsación en un lugar cualquiera de la pantalla

Archivo

Directorio de fotos: establezca un directorio para las imágenes capturadas.
Directorio de vídeos: establezca un directorio para los vídeos grabados.

Opciones

Resolución: establezca la resolución de imagen.
Fecha/Hora: puede ocultar o mostrar la fecha y hora de la captura durante la vista previa.
Idioma: puede cambiar el idioma de la interfaz de usuario.
Cuadrícula: puede ocultar o mostrar una cuadrícula sobre las imágenes.
Modo de pantalla completa: le permite ir al modo de pantalla completa.

Captura

Foto: capturar una imagen.
Vídeo: grabar un vídeo.

Capturar una imagen

Pulse el icono correspondiente en la barra de herramientas o seleccione Foto en el menú Captura.

Grabar un vídeo

Pulse el icono correspondiente en la barra de herramientas o seleccione Vídeo en el menú Captura.

Captura de secuencia

Pulse el icono correspondiente en la barra de herramientas. Se abrirá una ventana de diálogo donde puede definir varios parámetros para la captura de secuencias.

Pulse el botón de selección Foto para establecer la hora en la que comenzar la captura de imágenes, el intervalo entre ellas y el número total de imágenes. Pulse el botón de selección Vídeo para establecer la hora en la que comenzar la grabación de vídeos, su duración, el intervalo entre ellos y el número total de clips de vídeo.



Guardar como



Copiar en portapapeles



Copiar archivo



Imagen anterior



Imagen siguiente



Deshacer última acción



Repetir última acción



Dibujar



Texto



Medición



Calibrado

Calibrado

Antes de calibrar el microscopio active la cuadrícula. Para hacerlo, seleccione activar en Opciones>Cuadrícula. Por defecto la cuadrícula está visible. Sitúe la escala de calibrado en la platina y enfoque la vista. Asegúrese de que el eje vertical de la cuadrícula esté paralelo a las divisiones de la escala y capture una imagen. Haga doble clic en la miniatura de la imagen para abrirla en una ventana separada.

Haga clic en el icono correspondiente en la barra de herramientas para empezar el calibrado. Con el ratón, elija dos puntos de la imagen (debe saber la distancia real entre esos puntos). Una vez elegido el segundo punto se abrirá una ventana de diálogo en la que deberá introducir la distancia conocida en el campo Tamaño actual. La aplicación calculará automáticamente la ampliación de la imagen. Haga clic en OK para cerrar la ventana de diálogo. La ampliación calculada se mostrará en el campo Ampliación.

Nota: Los puntos elegidos deben formar una línea horizontal.

Puede comprobar los resultados del calibrado midiendo la misma distancia con la herramienta de Línea recta. Pulse el icono de mediciones, elija la herramienta de Línea recta y dibuje una línea similar en la imagen. Si la distancia medida es igual a la distancia real, el calibrado se ha realizado de forma satisfactoria.

Recalibrado

El proceso de calibrado debe repetirse si durante las observaciones se cambia la ampliación o el enfoque.

Haga clic en el icono correspondiente en la barra de herramientas y seleccione Restaurar la ampliación de la foto en Restaurar la ampliación. Repita el proceso de calibrado tal y como le hemos indicado anteriormente. Cambie la ampliación y capture unas cuantas imágenes. Haga doble clic en una de las miniaturas para abrir la imagen en una ventana de previsualización. Haga clic en el icono de calibrado en la barra de herramientas y seleccione Ajustar la ampliación de la foto en Ajustar la ampliación. Introduzca la ampliación actual en la ventana de diálogo que aparece y haga clic en OK.

Si desea utilizar la misma ampliación cuando capture imágenes en el futuro, haga clic en el icono de calibrado en la barra de herramientas y seleccione Ajustar la ampliación de la captura en Ajustar la ampliación.

Mediciones

Se recomienda calibrar el sistema antes de continuar y hacer mediciones.

Línea recta. Pulse y mantenga pulsado el botón izquierdo del ratón para comenzar a dibujar una línea. Suelte el botón izquierdo para completar la línea.

Línea continua. Utilice esta herramienta para dibujar una curva en la imagen y medir su longitud.

Radio del círculo. Dibuje una línea recta en la imagen. La aplicación calculará automáticamente el radio, la circunferencia y el área del círculo correspondiente.

Diámetro del círculo. Dibuje una línea recta en la imagen. La aplicación calculará automáticamente el diámetro, la circunferencia y el área del círculo correspondiente.

Ángulo de tres puntos. Sitúe los tres puntos en la imagen con el ratón. La aplicación calculará automáticamente el valor del ángulo.

Dibujo y texto

PortableCapture le permite añadir dibujos y cuadros de texto a sus imágenes. Abra una imagen en la ventana de visualización y haga clic en el icono del lápiz en la barra de herramientas. Seleccione una de las herramientas del menú desplegable y dibuje algo en la imagen. Puede editar la fuente y el color de los cuadros de texto haciendo clic en el icono TT de la barra de herramientas.

Especificaciones

Pantalla LCD	4"
Material de la óptica	vidrio óptico
Megapíxeles	5
Ampliación	10—300x
Photo	*.jpg
Vídeo	*.avi
Enfoque	manual, 0—100 mm
Velocidad	30 fps
Iluminación	sistema de 8 LED con ajuste de brillo
Material de la estructura	plástico
Fuente de alimentación	entrada de 5 V CC a través del cable USB o batería del Li-ion: 3,7 V, 1050 mAh duración: 2,5 horas; tiempo de carga: 4 horas
Software	software de procesamiento de imágenes y vídeo con función de medición
Idioma de interfaz	inglés, alemán, francés, español, ruso, japonés, chino, etc.
Posibilidad de conectar equipos adicionales	compatible con tarjetas MicroSD con capacidad de hasta 32 GB (no incluido) conexión a PC a través del cable USB (incluido) conexión a TV a través del cable de AV (incluido)
Rango de temperaturas de funcionamiento	–10... +65 °C

El fabricante se reserva el derecho de realizar cambios en la gama de productos y en las especificaciones sin previo aviso.

Requisitos del sistema

Sistema operativo: Windows 7/8/10, Mac 10.14 y superior
CPU: al menos P2 1 GHz o superior, RAM: 512 MB, tarjeta de vídeo: 512 MB
Interfaz: USB 2.0, unidad de CD, cualquier monitor con entrada de AV

Cuidado y mantenimiento

Nunca, bajo ninguna circunstancia, mire directamente al sol, a otra fuente de luz intensa o a un láser a través de este instrumento, ya que esto podría causar DAÑO PERMANENTE EN LA RETINA Y CEGUERA. Tome las precauciones necesarias si utiliza este instrumento acompañado de niños o de otras personas que no hayan leído o que no comprendan totalmente estas instrucciones. Tras desembalar el microscopio y antes de utilizarlo por primera vez, compruebe el estado y la durabilidad de cada componente y cada conexión. No intente desmontar el instrumento usted mismo bajo ningún concepto, ni siquiera para limpiar el espejo. Si necesita repararlo o limpiarlo, contacte con el servicio técnico especializado que corresponda a su zona. Proteja el instrumento de impactos súbitos y de fuerza mecánica excesiva. No aplique una presión excesiva al ajustar el foco. No apriete demasiado los tornillos de bloqueo. No toque las superficies ópticas con los dedos. Para limpiar el exterior del instrumento, utilice únicamente los paños y herramientas de limpieza especiales de Levenhuk. No limpie las superficies ópticas con fluidos corrosivos ni a base de acetona. No limpie las partículas abrasivas, como por ejemplo arena, con un paño. Únicamente soplelas o bien pase un cepillo blando. No utilice este dispositivo durante periodos largos de tiempo ni lo deje sin atender bajo la luz directa del sol. Protéjalo del agua y la alta humedad. Tenga cuidado durante las observaciones y cuando termine recuerde volver a colocar la cubierta para proteger el dispositivo del polvo y las manchas. Si no va a utilizar el microscopio durante periodos largos de tiempo, guarde las lentes del objetivo y los oculares por separado del microscopio. Guarde el instrumento en un lugar seco y fresco, alejado de ácidos peligrosos y otros productos químicos, radiadores, de fuego y de otras fuentes de altas temperaturas. Cuando uses el microscopio intenta no hacerlo cerca de materiales o sustancias inflamables (benceno, papel, cartón, plástico, etc.) ya que la base puede calentarse con el uso y suponer un riesgo de incendio. Desconecta siempre el microscopio de la fuente de alimentación antes de abrir la base o cambiar la bombilla. Independientemente del tipo de lámpara (halógena o incandescente), dale tiempo de enfriarse antes de cambiarla y sustitúyela siempre por otra del mismo tipo. Utiliza siempre una fuente de alimentación con el voltaje apropiado, el indicado en las especificaciones de tu nuevo microscopio. Si conectas el instrumento a un enchufe distinto podrías dañar el circuito eléctrico, fundir la lámpara o incluso provocar un cortocircuito. **Los niños únicamente deben utilizar este microscopio bajo la supervisión de un adulto. En el caso de que alguien se trague una pieza pequeña o una pila, busque ayuda médica inmediatamente.**

Instrucciones de seguridad para las pilas

Compre siempre las pilas del tamaño y grado indicado para el uso previsto. Reemplaz siempre todas las pilas al mismo tiempo. No mezcle pilas viejas y nuevas, ni pilas de diferentes tipos. Limpie los contactos de las pilas y del instrumento antes de instalarlas. Asegúrese de instalar las pilas correctamente según su polaridad (+ y –). Quite las pilas si no va a utilizar el instrumento durante un periodo largo de tiempo. Retire lo antes posible las pilas agotadas. No cortocircuite nunca las pilas ya que podría aumentar su temperatura y podría provocar fugas o una explosión. Nunca caliente las pilas para intentar reavivarlas. No intente desmontar las pilas. Recuerde apagar el instrumento después de usarlo. Mantenga las pilas fuera del alcance de los niños para eliminar el riesgo de ingestión, asfixia o envenenamiento. Deseche las pilas usadas tal como lo indiquen las leyes de su país.

Garantía Levenhuk

Los productos ópticos de Levenhuk tienen una garantía de **2 años** contra defectos en materiales y mano de obra. Todos los accesorios Levenhuk están garantizados contra defectos de materiales y de mano de obra durante **2 años** a partir de la fecha de compra. La garantía incluye la reparación o sustitución gratuita del producto Levenhuk en cualquier país en el que haya una oficina Levenhuk si se reúnen todas las condiciones de la garantía.

Para más detalles visite nuestra página web: www.levenhuk.es/garantia

En caso de problemas con la garantía o si necesita ayuda en el uso de su producto, contacte con su oficina de Levenhuk más cercana.

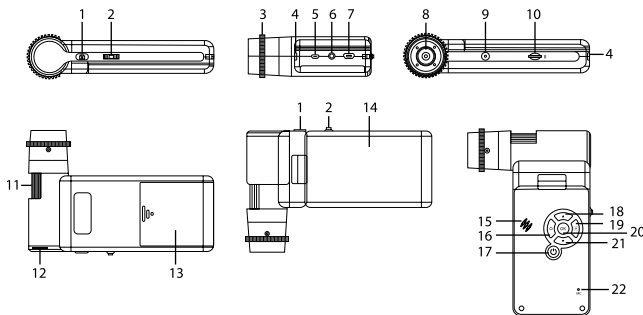
Discovery Artisan 1024

Digitális mikroszkóp

HU

A mikroszkóp alkatrészei

- 1 Felvétel
- 2 Zoom-állító kerék
- 3 Polarizáló kerék
- 4 Az akkumulátor állapotjelzője
- 5 HDMI kimenet
- 6 AV-kimenet
- 7 DC: akkumulátor töltés USB: kimenet számítógéphez
- 8 Objektívlencse
- 9 1/4"-es csavar
- 10 Mikro-SD-foglalat
- 11 Fókuszgomb
- 12 Fényerősség-állító kerék
- 13 Elemtartó rekesz
- 14 4"-os színes LCD-kijelző
- 15 Hangszóró
- 16 Beállítások
- 17 Bekapcsolás / kikapcsolás FEL
- 18 FEL
- 19 Fénykép/Videó/Lejátszás
- 20 OK (megerősítés)
- 21 LE
- 22 Mikrofon



A készlet a következőket tartalmazza: mikroszkóp, háromlábú állvány, újratölthető elem, USB-kábel, AV-kábel, elektromos adapter, szoftver-CD, tasak, felhasználói kézikönyv és élettartamra szóló szavatosság.

Az eszköznek a használatával soha, semmilyen körülmények között ne nézzen közvetlenül a Napba, vagy egyéb, nagyon erős fényforrásba vagy lézersugárba, mert ez **MARADANDÓ KÁROSODÁST OKOZ A RETINÁJÁBAN ÉS MEG IS VAKULHAT.**

A mikroszkóp összeszerelése

Nyissa ki az elemtartó rekeszt és helyezze be az elemet az elem pólusainak megfelelően. A mikroszkóp első használata (bekapcsolása) előtt az elemet teljesen töltsé fel. Csatlakoztassa a tápkábelt a mikroszkóp vázán (7) található aljzatba, majd csatlakoztassa a tápellátáshoz. Az akkumulátor állapotjelzője (4) vörösré változik. Ha az elem teljesen feltöltődött, akkor az állapotjelző kialszik. Ekkor csatlakoztassa le a tápellátásról a mikroszkópot, majd kapcsolja be. A teljesen feltöltött elemmel maximálisan 2,5 óra hosszágú használhatja a mikroszkópot. A világítás gyengébb lesz, a kép minősége pedig romlani fog, jelezve, hogy az elem le fog merülni. A fentiek szerint töltsé fel az elemet.

A felvett képek és rögzített felvételek elmentéséhez mikro-SD-kártyára (külön kapható) van szükség. Kapcsolja ki a mikroszkópot, majd helyezze be a mikro-SD-kártyát a mikroszkóp vázának megfelelő foglatába úgy, hogy az a helyére pattanjon. Behelyezéskor ne nyomja meg túlzott erővel a mikro-SD-kártyát. Ha a kártya nem illeszkedik könnyedén a helyére, akkor fordítsa meg a kártyát. Használat előtt formattálja a kártyát. Kapcsolja be a mikroszkópot, nyissa ki az LCD-kijelzőt vagy nyomja meg a tápkapcsoló gombot (17). A mikroszkóp kikapcsolásához hajtsa össze az LCD-kijelzőt vagy nyomja meg újra a tápkapcsoló gombot (17).

A kijelző ikonjai



Képrögzítés



Videofelvétel indítása és leállítása



Lejátszás

001618

A rögzíthető összes kép száma (a jelenlegi felbontás alapján)



Jelenlegi képfelbontás



MicroSD állapotikon



Az akkumulátor állapotjelzője

Megjegyzés: A felhasználói felület ikonjai rejtve maradnak, ha egyetlen gombot sem nyomtak le és tartottak 10 másodpercig lenyomva.

Kép rögzítése

Kapcsolja be a mikroszkópot és irányítsa egy objektumra. Győződjön meg róla, hogy teljesen kihajította a kijelzőt. Állítsa be a világítás fényerejét úgy, hogy a minta kelően megvilágított legyen. Módosítsa a nagyítás mértékét, majd fókuszálja a nézetet, majd a kép rögzítéséhez nyomja meg a felvétel gombot (1).

Videó rögzítése

Nyomja meg a Fénykép/Videó/Lejátszás gombot (19) a videó üzemmódra váltáshoz. A művelet megerősítéseként a képernyő bal felső sarkában található ikon megváltozik. A felvételt megkezdéséhez nyomja meg a felvételt gombot (1), a felvételt leállításához ismételten nyomja meg a gombot.

Lejátszás

Nyomja meg a Fénykép/Videó/Lejátszás gombot (19) a lejátszási üzemmódra váltáshoz. A művelet megerősítéseként a képernyő bal felső sarkában található ikon megváltozik. A FEL (18) és LE (21) gombok segítségével válassza ki a kívánt képet vagy videofelvételt, majd a megtekintéshez vagy lejátszáshoz nyomja meg az OK (20) gombot.

Fájlok törlése

Amikor az elmentett fájlokat böngézi, nyomja meg a Beállítás gombot (16), válassza ki a Delete... (Törlés...) elemet, majd a kiválasztás megerősítéséhez nyomja meg az OK (20) gombot (választhatja azt, hogy minden fájlt vagy csak a megjelenített menü kiválasztott fájlját törölje a rendszer).

Fájlok megőrzése

Amikor az elmentett fájlokat böngézi, nyomja meg a Beállítás gombot (16), válassza ki a Protect (Megőrzés) elemet, majd a kiválasztás megerősítéséhez nyomja meg az OK (20) gombot (választhatja azt, hogy minden fájlt vagy csak a megjelenített menü kiválasztott fájlját őrizze meg a rendszer).

Zoom

A nézet nagyításához vagy kicsinyítéséhez (zoom in, zoom out) görgesse a zoom-állító kereket (2).

Polarizáló szűrő

A fényes felületű objektumok, például fémek, kristályok stb. megfigyelésekor keletkező fényvisszaverődés csökkentésére használja a polarizáló szűrőt. A polarizáló hatás aktiválásához vagy deaktiválásához forgassa el a polarizáló kereket (3) 90 fokkal.

Háttértár a számítógépen

Helyezzen egy microSD kártyát a foglalatba. Csatlakoztassa a mikroszkópot a számítógéphez egy USB kábellel, hogy a képeket a kártyáról a számítógépre töltsse.

Előnézet a számítógépen

Csak a telepített szoftverrel együtt működik. Távolítsa el a microSD kártyát a foglalatból. Csatlakoztassa a mikroszkópot a számítógéphez az USB kábellel.

A mikroszkóp csatlakoztatása televíziókészülékhez

Csatlakoztassa az AV-kábelt a mikroszkóphoz, majd csatlakoztassa a televíziókészülékhez (további tudnivalót a televíziókészüléke felhasználói útmutatójában talál). Kapcsolja be a televíziókészüléket, majd a készülék vonatkozó menüjéből válassza ki a megfelelő csatornát (további tudnivalót a televíziókészüléke felhasználói útmutatójában talál).

A háromlábú állvány csatlakoztatása

Helyezze a háromlábú állványt egy stabil felületre. Csatlakoztassa a háromlábú állványt a mikroszkópon található menetes lyukhoz (9), majd forgassa el a mikroszkóp, amíg az rögzül a helyén. A forgatáskor ne fejtsen ki túl nagy nyomást,

mert tönkretelheti a mikroszkópot és magát a háromlábú állványt is. Ha szükséges, akkor állíthat a háromlábú állvány magasságán.

A kijelző menüje

A fő kijelzőmenü megnyitásához nyomja meg a Setup (Beállítás) (16) gombot. Ebben a menüben beállíthatja a kép- és videofelbontást, a felhasználói felület nyelvét, bekapcsolhatja az energiatakarékos üzemmódot, elrejtetheti vagy megjelenítheti a dátumot és az időt, beállíthatja a TV-csatlakozást, formázhatja az SD-kártyát, visszaállíthatja a beállításokat és ellenőrizheti a hardver verzióját. Ez a menü továbbá hozzáférést biztosít a Loop (Folytonos) felvételi módhoz és a Date Stamp (Dátumbélyegző) opcióhoz.

Felbontás

Válassza ki a főmenüből a Resolution (Kép vagy videofelbontás) opciót, válassza ki a kívánt felbontást a Le gomb (21) megnyomásával, majd a megerősítéshez nyomja meg az OK gombot (20).

Megjegyzés: Ez a modell a következő képfelbontásokat támogatja: 12M, 10M, 8M, 5M, 3M; videofelbontások: 1080P, 720P.

Rögzítés üzemmód

Fényképkészítési üzemmódban nyomja meg a Beállítás gombot (16) és a sorozatfelvétel beállításához válassza a Capture (Rögzítés) üzemmódot. Beállíthatja például azt, hogy a mikroszkóp 5 másodpercenként készítsen fényképet.

Folyamatos felvétel

Video üzemmódban nyomja meg a Beállítás gombot (16) és válassza a Loop recording (Folyamatos felvétel) üzemmódot. Kiválaszthatja a videoklip hosszát vagy kikapcsolhatja a Folyamatos felvétel üzemmódot. Amíg a folytonos felvételi mód be van kapcsolva, a készülék a kiválasztott hosszúságú videoklipek mindegyikét az előző felvételt felülírva menti el.

Dátumbélyegző

Válassza ki a Date Stamp (Dátumbélyegző) opciót a főmenüből, majd válasszon ki egy célopciót.

Dátum és idő

Válassza ki a Date/Time (Dátum/Idő) opciót a főmenüből a Le gombbal (21), majd állítsa be az aktuális dátumot és időt

TV-csatlakozás

Válassza ki a TV Mode (TV mód) opciót a főmenüből, majd válassza ki megfelelő, az Ön televíziókészülékével kompatibilis NTSC vagy PAL módot. Nyomja meg az OK gombot (20) a megerősítéséhez.

Energiatakarékos üzemmód

Válassza ki az Auto Power Off (Automatikus kikapcsolás) lehetőséget a főmenüből, és állítsa be azt az inaktív időtartamot, amelynek eltelté után a mikroszkóp automatikusan kikapcsol. Nyomja meg az OK gombot (20) a megerősítéséhez.

A beállítások visszaállítása

A gyári beállítások visszaállításához válassza ki a főmenüből a Default Setting (Alapértelmezett beállítás) lehetőséget.

Nyelv

Válassza ki a Language (Nyelv) opciót a főmenüből, majd válasszon az egyik meglévő beállításból. Nyomja meg az OK gombot (20) a megerősítéséhez.

MicroSD kártya formázása

Válassza ki a Format SD (SD kártya formázása) opciót a főmenüből a telepített memóriakártya formázásához. A formázás után a kártyán található valamennyi fájl törlődik. Normál esetben a kártya formázása nem szükséges, hacsak a kártya nem tudja tárolni a rögzített képet.

PortableCapture szoftver

Helyezze a telepítő CD-t a CD-meghajtóba. Az eszközén futó operációs rendszernek megfelelően válassza ki a mappát. Az alkalmazás telepítéséhez kattintson duplán a telepítő fájlra, majd kövesse a képernyőn megjelenő utasításokat. A telepítő CD tartalmazza a használati útmutató egy példányát, amelyet a Főmenü megfelelő bejegyzésére kattintva elolvashat. Csatlakoztassa a mikroszkópot a számítógéphez az USB kábellel, és futtassa a PortableCapture alkalmazást. Egy felugró üzenet figyelmezteti Önt, ha a mikroszkóp nem csatlakozik a számítógéphez.

Alkalmazás menü



Képrögzítés



Videofelvétel indítása és leállítása



Sorozatfelvétel (megadhatja az időtartamot a képek vagy videók rögzítésének megkezdéséhez, beállíthatja a felvételek közötti intervallumot, a videó időtartamát és a rögzítendő képek vagy videók számát)



Teljes képernyő mód. A teljes képernyő módból való kilépéshez nyomja meg az Escape gombot a billentyűzeten, vagy kattintson duplán bárhová a képernyőn

File (Fájl)

Photos Directory (Fényképkönyvtár): a rögzített képek könyvtárának beállítására szolgál.

Videos Directory (Videókönyvtár): a rögzített videók könyvtárának beállítására szolgál.

Options (Lehetőségek)

Resolution (Felbontás): a képfelbontás beállítására szolgál.

Date/Time (Dátum/Idő): elrejtji vagy megjeleníti a rögzítés dátumát és idejét az előnézetben.

Language (Nyelv): a felhasználói felület nyelvének megváltoztatására szolgál. XY Guide (XY koordináták): elrejtji vagy megjeleníti a rácsot a képeken.

Full screen mode (Teljes képernyő mód): teljes képernyős megjelenítés.

Capture (Felvétel)

Photo (Fénykép): képrögzítésre szolgál.

Video (Videó): videorögzítésre szolgál.

Kép rögzítése

Kattintson a megfelelő ikonra az eszköztárban, vagy válassza a Photo (Fénykép) lehetőséget a Capture (Felvétel) menüben.

Videó rögzítése

Kattintson a megfelelő ikonra az eszköztárban, vagy válassza a Video (Videó) lehetőséget a Capture (Felvétel) menüben.

Sorozatfelvétel

Kattintson a megfelelő ikonra az eszköztárban. Megjelenik egy párbeszédablak, amelyben számos paramétert állíthat be a sorozatfelvétellez. Kattintson a Photo (Fénykép) választógombra a képrögzítés kezdési idejének, valamint a képek közötti intervallum és az összes képszám beállításához. Kattintson a Video (Videó) választógombra a videorögzítés kezdési idejének, valamint a videók közötti intervallum és az összes klipszám beállításához.



Mentés másként



Az utolsó művelet megismétlése



Másolás a vágólapra



Rajz



Fájlmásolás



Szöveg



Előző kép



Mérés



Következő kép



Kalibrálás



Az utolsó művelet visszavonása

Kalibrálás

A mikroszkóp kalibrálása előtt kapcsolja be a rácsot. Ehhez válassza az on opciót az Options (Lehetőségek) > XY Guide (XY koordináták) menüútvonalon. Alapértelmezett beállításnál a rács látható. Helyezze a kalibrációs skálát a tárgyasztalra, és állítsa be a nézetfókuszot. Győződjön meg arról, hogy a rács párhuzamos a skálabeosztással, majd készítse el a képfelvételt. A kép külön ablakban történő megnyitásához kattintson kétszer a kép miniatűrjére.

Kattintson a megfelelő ikonra az eszköztárban a kalibrálás megkezdéséhez. Az egérrel válasszon ki két pontot a képen (tudnia kell a tényleges távolságot e két pont között). Miután kiválasztotta a második pontot, megnyílik egy párbeszédablak, ahol meg kell adnia az ismert távolságot az Actual dimension (Tényleges dimenzió) mezőben. Az alkalmazás automatikusan kiszámolja a kép nagyítását. A párbeszédablak bezárásához kattintson az OK gombra. A kiszámított nagyítás megjelenik a Magnification (Nagyítás) mezőben.

Megjegyzés: A kiválasztott pontoknak vízszintes vonalat kell alkotniuk.

A kalibrálás eredményeit úgy ellenőrizheti, hogy a Straight line (Egyenes vonal) eszközzel leméri ugyanazt a távolságot. Kattintson a mérések ikonra, válassza ki a Straight line (Egyenes vonal) eszközt, majd húzzon egy hasonló vonalat a képen. Ha a mért távolság megegyezik a tényleges távolsággal, a kalibrálás sikeres volt.

Újra kalibrálás

A kalibrálási folyamatot meg kell ismételni, ha a nagyítás vagy a fókusz a megfigyelések során megváltozott.

Kattintson a megfelelő ikonra az eszköztárban, majd válassza a Reset picture magnification (Képnagyítás visszaállítása) opciót a Reset magnification (Nagyítás visszaállítása) menüpontból. Ismételje meg a kalibrálási folyamatot a fent leírtak szerint. Módosítsa a nagyítást, majd készítsen néhány képfelvételt. Kattintson duplán az egyik miniatűrképre az elkészült kép előnézeti ablakban történő megnyitásához. Kattintson a kalibrálás ikonra az eszköztárban, majd válassza a Set picture magnification (Képnagyítás beállítása) opciót a Set magnification (Nagyítás beállítása) menüpontból. Adja meg az aktuális nagyítást a párbeszédablakban, majd kattintson az OK gombra.

Ha a jövőben ugyanazt a nagyítást kívánja használni képfelvételek készítésénél, kattintson a kalibrálás ikonra az eszköztárban, majd válassza a Set picture magnification (Képnagyítás beállítása) opciót a Set magnification (Nagyítás beállítása) menüpontból.

Mérések

A mérések elvégzése előtt ajánlott a rendszert kalibrálni.

Straight line (Egyenes vonal). Nyomja le hosszan a bal egérgombot a vonalrajzolás megkezdéséhez. A vonalrajzolás befejezéséhez engedje el a bal egérgombot.

Continuous Line (Szabadkézi vonal). Nyomja le hosszan a bal egérgombot és rajzoljon egy vonalat. A vonalszakasz befejezéséhez engedje el a bal egérgombot. Több vonalszakaszt is hozzáadhat a szabadkézi vonalhoz.

Radius Circle (Sugár). Rajzoljon egy egyenes vonalat a képre. Az alkalmazás automatikusan kiszámítja a megfelelő kör sugarát, kerületét és területét.

Diameter Circle (Átmérő). Rajzoljon egy egyenes vonalat a képre. Az alkalmazás automatikusan kiszámítja a megfelelő kör átmérőjét, kerületét és területét.

Three Points Angle (Szög). Nyomja le hosszan a bal egérgombot és rajzoljon egy vonalat a képre. Engedje el a bal egérgombot és rajzoljon egy másik vonalat.

Az alkalmazás automatikusan kiszámítja a létrejött szög értékét.

Rajz és szöveg

A PortableCapture alkalmazással rajzokat és szövegdobozokat adhat a képeihez. Nyisson meg egy képet egy előnézeti ablakban, majd kattintson a Pencil (Ceruza) ikonra az eszköztárban. Válassza ki az egyik eszközt a legördülő menüből, és rajzoljon valamit a képre. Az eszköztárban található TT ikonra kattintva módosíthatja a szövegdobozokban használt betű típusát és színét.

Műszaki paraméterek

LCD-kijelző	4"
Optikai anyagok	optikai üveg
Megapixel	5
Nagyítás	10—300x
Fénykép	*.jpg
Videó	*.avi
Élességállítás	kézi, 0—100 mm
Sebesség	30 fps
Világítás	8 LED-fényből álló rendszer állítható fényerővel
Váz anyaga	műanyag
Tápellátás	5 V DC USB-kábelen keresztül vagy lítium ionos akkumulátorral: 3,7 V, 1050 mAh üzemidő: 2,5 óra, töltési idő: 4 óra
Szoftver	kép- és videófeldolgozó szoftver mérés funkcióval
Szoftvernyelv	angol, német, francia, spanyol, orosz, japán, kínai stb.
Csatlakoztathatóság egyéb berendezésekhez	mikro-SD-kártya támogatás 32 GB-ig (a készlet a kártyát nem tartalmazza) számítógéphez csatlakoztatható USB-kábelen keresztül (megtalálható a csomagban) TV-hez csatlakoztatva AV-kábelen keresztül (megtalálható a csomagban)
Üzemi hőmérséklet-tartomány	-10... +65 °C

A gyártó fenntartja magának a jogot a termékínálat és a műszaki paraméterek előzetes értesítés nélkül történő módosítására.

Rendszerkövetelmények

Operációs rendszer: Windows 7/8/10, Mac 10.14 és újabb változatok
CPU: legalább P2 1 GHz vagy újabb, RAM: 512 MB-os videokártya: 512MB
Interfész: USB 2.0, CD meghajtó, bármilyen monitor AV bemenettel

Ápolás és karbantartás

Ennek az eszköznek a használatával soha, semmilyen körülmények között ne nézzen közvetlenül a Napba, vagy egyéb, nagyon erős fényforrásba vagy lézersugárba, mert ez **MARADANDÓ KÁROSODÁST OKOZ A RETINÁJÁBAN ÉS MEG IS VAKULHAT.** Legyen kellően óvatos, ha gyermekekkel vagy olyan személyekkel együtt használja az eszközt, akik nem olvasták vagy nem teljesen értették meg az előbbiekből felsorolt utasításokat. A mikroszkóp kicsomagolása után, de még annak legelső használata előtt ellenőrizze az alkatrészek és csatlakozások sérülésmentes állapotát és tartósságát. Bármilyen esetben is az ok, semmiképpen ne kísérelje meg szétszerelni az eszközt. Ha az eszköz javításra vagy tisztításra szorul, akkor keresse fel vele a helyi szakszervizt. Óvja az eszközt a hirtelen behatásoktól és a hosszabb ideig tartó mechanikai erőktől. Ne használjon túlzott erőt a fókusz beállításánál. Ne húzza túl a szorítócsavarokat. Az optikai elemek felületéhez soha ne érjen az ujjával. Az eszköz külső megtisztításához használja a Levenhuk által erre a célra gyártott tisztítókendőt és optikai tisztító eszközöket. Az optikai elemek tisztításához ne használjon maró hatású vagy aceton-alapú folyadékokat. A kopató hatású részecskéket, például a homokot

ne törléssel, hanem fújással vagy puha ecsettel távolítsa el a lencséről. Ne használja az eszközt hosszú időtartamon keresztül a tűző napon, vagy ne hagyja ott felügyelet nélkül. Tartsa az eszközt víztől és magas páratartalomtól védett helyen. Legyen körültekintő a megfigyelések során, mindig helyezze vissza a porvédőt a megfigyelés befejeztével, így megóvhatja eszközét a portól és a szennyeződésektől. Ha a mikroszkóp hosszabb ideig használaton kívül van, akkor a mikroszkóptól elkülönítetten tárolja az objektívlencséket és a szemlencséket. Száraz, hűvös helyen tárolja az eszközt, veszélyes savaktól és egyéb kémiai anyagoktól elkülönítetten, hőszűrőktől, nyílt lángtól és egyéb hőforrásoktól távol. Lehetőség szerint ne használja a mikroszkópot gyúlékony anyagok közelében (benzol, papír, kartonlap, műanyag, stb.), mivel a megfigyelés során a mikroszkóp talpazata felmelegedhet és így tűzveszélyessé válhat. A talpazat kinyitása vagy a megvilágítást biztosító izzó kicserélése előtt minden esetben áramtalanítsa a mikroszkópot. Csere előtt az izzó típusától függetlenül (halogén vagy hagyományos) minden esetben várja meg, amíg az izzó lehűl, és mindig ugyanolyan típusú izzót használjon. A tápellátást mindig a megfelelő hálózati feszültségi szint mellett használja, azaz kövesse az újonnan vásárolt mikroszkópjának műszaki leírását. Az eszköznek a leírástól eltérő típusú aljzathoz történő csatlakoztatása tönkretelheti a mikroszkóp áramkörét, kiégést az izzó vagy akár rövidzárlatot is okozhat ezzel. **A gyermekek a mikroszkópot csak felnőtt felügyelete mellett használhatják. Azonnal forduljon orvoshoz, amennyiben bárki lenyelt egy kis alkatrészt vagy elemet.**

Az elemekkel kapcsolatos biztonsági intézkedések

Mindig a felhasználásnak legmegfelelőbb méretű és fokozatú elemet vásárolja meg. Elemcsere során mindig az összes elemet egyszerre cserélje ki; ne keverje a régi elemeket a frissekkel, valamint a különböző típusú elemeket se keverje egymással össze. Az elemek behelyezése előtt tisztítsa meg az elemek és az eszköz egymással érintkező részeit. Győződjön meg róla, hogy az elemek a pólusokat tekintve is helyesen kerülnek az eszközbe (+ és -). Amennyiben az eszközt hosszabb ideig nem használja, akkor távolítsa el az elemeket. A lemerült elemeket azonnal távolítsa el. Soha ne zárja rövidre az elemeket, mivel így azok erősen felmelegedhetnek, szivárogni kezhetnek vagy felrobbanhatnak. Az elemek élettartamának megnöveléséhez soha ne kísérelje meg felmelegíteni azokat. Ne bontsa meg az akkumulátorokat. Használat után ne felejtse el kikapcsolni az eszközt. Az elemeket tartsa gyermekektől távol, megelőzve ezzel a lenyelés, fulladás és mérgezés veszélyét. A használt elemeket az Ön országában érvényben lévő jogszabályoknak megfelelően adhatja le.

Levenhuk szavatosság

A Levenhuk optikai termékekre 2 év szavatosságot biztosítunk anyaghibákra és/vagy a gyártási hibákra. A Levenhuk-kiegészítőkhöz a Levenhuk-vállalat a kiskereskedelmi vásárlás napjától számított 2 évig érvényes szavatosságot nyújt az anyaghibák és/vagy a gyártási hibák vonatkozásában. Ha minden szavatossági feltétel teljesül, akkor a szavatosság értelmében bármely olyan országban kérheti a Levenhuk termék díjmentes javíttatását vagy cseréjét, ahol a Levenhuk vállalat fiókirodát üzemeltet.

További részletekért látogasson el weboldalunkra: www.levenhuk.hu/garancia
Amennyiben garanciális probléma lépne fel vagy további segítségre van szüksége a termék használatát illetően, akkor vegye fel a kapcsolatot a helyi Levenhuk üzlettel.

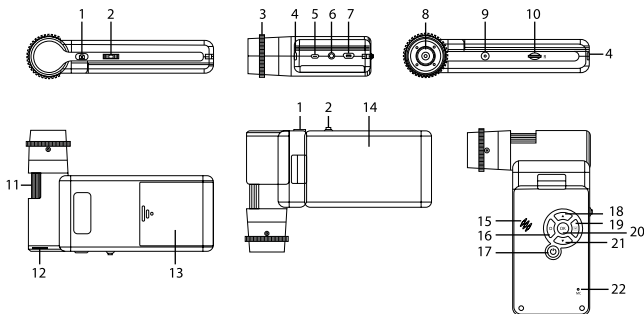
Discovery Artisan 1024

Microscopio digitale

IT

Parti del microscopio

- ❶ Cattura
- ❷ Regolazione dello zoom
- ❸ Ghiera del polarizzatore
- ❹ Indicatore di stato della batteria
- ❺ Uscita HDMI
- ❻ Uscita AV
- ❼ DC: ricarica batteria
USB: uscita PC
- ❽ Lente obiettivo
- ❾ Foro per vite da 1/4"
- ❿ Slot MicroSD
- ⓫ Messa a fuoco
- ⓬ Regolazione della luminosità
- ⓭ Scompartimento della batteria
- ⓮ Display LDC a colori da 4"
- ⓯ Altoparlante
- ⓰ Setup
- ⓱ Interruttore on/off
- ⓲ Su
- ⓳ Foto/Video/Riproduci
- ⓴ OK (conferma)
- ⓵ Giù
- ⓶ Microfono



Il kit **comprende**: microscopio, treppiede, batteria ricaricabile, cavo USB, cavo AV, adattatore, CD del software, astuccio, manuale utente e garanzia a vita.






Non utilizzare in nessun caso questo apparecchio per guardare direttamente il sole, un'altra sorgente di luce ad alta luminosità o un laser, perché ciò potrebbe provocare DANNI PERMANENTI ALLA RETINA e portare a CECITÀ.

Montaggio del microscopio

Aprire lo scompartimento della batteria e inserirvi la batteria secondo la polarità indicata. La batteria deve essere completamente carica al momento della prima accensione del microscopio. Inserire il cavo dell'alimentazione nell'apposita presa sul corpo del microscopio (7) e connetterlo alla rete elettrica. Si accenderà la luce rossa dell'indicatore di stato della batteria (4). Quando la batteria sarà completamente carica, l'indicatore si spegnerà. Ora è possibile scollegare il microscopio dalla rete elettrica e accenderlo. La batteria a piena carica consente l'uso del microscopio per 2,5 ore. Un affievolimento della luminosità e un peggioramento della qualità dell'immagine sono sintomi di una batteria scarica. Ricaricare la batteria come appena descritto.

Per salvare le immagini catturate e i video registrati è necessaria una scheda MicroSD (da acquistare separatamente). Spegnerlo lo strumento e inserire la scheda MicroSD nel corrispondente slot sul corpo del microscopio, fino a bloccarla in posizione con un clic. Non applicare una forza eccessiva quando si inserisce la scheda MicroSD. Provare a ruotare la scheda nel caso in cui non si blocchi facilmente in posizione. È necessario formattare la scheda prima di utilizzarla. Per accendere il microscopio, aprire il display LCD o premere il pulsante di alimentazione (17). Per spegnere il microscopio, richiudere il display LCD o premere di nuovo il pulsante di alimentazione (17) (fare riferimento alla sezione Risparmio energetico per maggiori informazioni).

Icone dell'interfaccia

-  Cattura un'immagine
-  Inizia e interrompi registrazione video
-  Modalità riproduzione
- 001618** Numero di immagini che possono essere catturate (alla risoluzione corrente)
- 12M** Risoluzione corrente
-  Icona stato MicroSD
-  Indicatore di stato della batteria

Nota: Le icone dell'interfaccia verranno nascoste se non viene tenuto premuto nessun tasto per 10 secondi.

Cattura di un'immagine

Accendere il microscopio e puntarlo su un oggetto. Assicurarsi che il display LCD sia completamente aperto. Regolare la luminosità, in modo che il campione sia illuminato uniformemente. Cambiare l'ingrandimento, quindi mettere a fuoco l'inquadratura e premere il pulsante di cattura (1) per catturare un'immagine.

Registrazione di un video

Premere il pulsante Foto/Video/Riproduci (19) per passare in modalità video. L'icona nell'angolo superiore sinistro dello schermo cambierà di conseguenza. Premere il pulsante di cattura (1) per iniziare la registrazione, premerlo di nuovo per interromperla.

Riproduzione

Premere il pulsante Foto/Video/Riproduci (19) per passare in modalità riproduzione. L'icona nell'angolo superiore sinistro dello schermo cambierà di conseguenza. Selezionare la foto o il video desiderati con i pulsanti Su (18) e Giù (21) e premere OK (20) per riprodurli.

Eliminazione dei file

Scorrendo tra i file salvati, premere il pulsante Setup (16), selezionare Delete... (Elimina...) e premere OK (20) per confermare la selezione (è possibile eliminare tutto o solamente i file selezionati seguendo il menù).

Proteggere i file

Scorrendo tra i file salvati, premere il pulsante Setup (16), selezionare Protect (Proteggi) e premere OK (20) per confermare la selezione (è possibile proteggere tutto o solamente i file selezionati seguendo il menù).

Zoom

Usa la rotella della messa a fuoco (2) per fare zoom avanti o indietro.

Filtro polarizzatore

È possibile usare un filtro polarizzatore per ridurre la luce riflessa durante l'osservazione degli oggetti con superfici metalliche, dei cristalli, ecc. Ruotare la ghiera del polarizzatore per attivare o disattivare la polarizzazione.

Archiviazione di massa su PC

Inserire una scheda MicroSD nell'apposito slot. Connettere il microscopio al PC con il cavo USB per scaricare sul computer le immagini salvate sulla scheda.

Anteprima su PC

Funziona solamente con il software installato. Rimuovere la scheda MicroSD dallo slot. Connettere il microscopio al PC usando il cavo USB.

Connettere il microscopio alla TV

Inserire il cavo con connettore AV nel microscopio e collegarlo alla TV (fare riferimento alla guida del proprio televisore per ulteriori informazioni). Accendere la TV e selezionare il canale corretto dal menù del televisore (fare riferimento alla guida del proprio televisore per ulteriori informazioni).

Fissaggio del treppiede

Posizionare il treppiede su una superficie stabile. Connettere il treppiede al foro filettato (9) sul microscopio e ruotare lo strumento finché non è saldamente ancorato. Non applicare una pressione eccessiva durante la rotazione, poiché ciò potrebbe causare dei danni sia al microscopio che al treppiede. Se necessario, l'altezza del treppiede può essere regolata.

Menù del display

Premere il pulsante Setup (16) per aprire il menù principale del display. Da questo menù è possibile impostare la risoluzione di foto e video, la data e l'ora e

la lingua dell'interfaccia, attivare la modalità di risparmio energetico, configurare la connessione alla TV, formattare la scheda SD, ripristinare le impostazioni predefinite e controllare la versione dell'hardware. Inoltre, questo menù fornisce l'accesso alla modalità di registrazione in loop e all'opzione Indicatore di data.

Risoluzione

Selezionare Resolution (Risoluzione) immagine o video dal menù principale e scegliere quella desiderata premendo il pulsante Giù (21) e confermando con il pulsante OK (20).

Nota: Questo modello supporta le seguenti risoluzioni immagine: 12 M, 10 M, 8 M, 5 M, 3 M; risoluzioni video: 1080P, 720P.

Modalità di acquisizione

Dalla modalità foto, premere il pulsante setup (16) e scegliere la modalità di acquisizione per configurare la cattura delle immagini. Ad esempio, è possibile impostare il microscopio affinché scatti una foto ogni 5 secondi.

Registrazione in loop

In modalità video, premere il pulsante Setup (16) e scegliere Loop recording mode (la modalità di registrazione in loop). È possibile selezionare la durata del videoclip o spegnere la modalità di registrazione in loop. Mentre la modalità di loop è in esecuzione, il video clip della durata selezionata verrà registrato sul precedente.

Indicatore di data

Selezionare Date Stamp (Indicatore di data) dal menù principale e poi selezionare un'opzione di target.

Data e ora

Selezionare Date/Time (Data/Ora) dal menù principale premendo il pulsante Giù (21) e quindi impostare data e ora correnti.

Connessione TV

Selezionare TV Mode (Modalità TV) dal menù principale e quindi selezionare lo standard video corretto per la propria TV tra NTSC e PAL. Premere il pulsante OK (20) per confermare la selezione.

Risparmio energetico

Selezionare Auto Power Off (Spegnimento automatico) dal menù principale e impostare il tempo di inattività prima che il microscopio si spenga automaticamente. Premere il pulsante OK (20) per confermare la selezione.

Reset delle impostazioni

Selezionare Default Setting (Impostazioni predefinite) dal menù principale per tornare alle impostazioni di fabbrica.

Lingua

Selezionare Language (Lingua) dal menù principale e scegliere una delle lingue proposte. Premere il pulsante OK (20) per confermare la selezione.

Formattazione scheda MicroSD

Selezionare Format SD (Formatta SD) dal menù principale per formattare la scheda di memoria installata. La formattazione eliminerà tutti i file dalla scheda. In genere la formattazione non è necessaria, a meno che la scheda non sia in grado di archiviare le immagini acquisite.

Software PortableCapture

Inserire il CD di installazione nel lettore CD. Scegliere la cartella in base al sistema operativo del proprio dispositivo. Fare doppio clic sul file di installazione e seguire le istruzioni sullo schermo per installare l'applicazione. Il CD di installazione contiene una copia delle istruzioni d'uso, che è possibile trovare nella cartella User Manual (Manuale Utente). Connettere il microscopio al PC con il cavo USB ed eseguire l'applicazione PortableCapture. Nel caso in cui il microscopio non fosse connesso al PC, comparirà un messaggio pop-up di avviso.

Menù dell'applicazione



Cattura un'immagine



Inizia e interrompi registrazione video



Sequenza di scatti (è possibile impostare l'ora di inizio della cattura immagini o video, l'intervallo tra gli scatti, la durata dei video e il numero di immagini o video da catturare)



Modalità schermo intero. Per uscire dalla modalità schermo intero, premere Esc sulla tastiera o fare doppio clic in un punto qualsiasi dello schermo

File

Cartella Foto: imposta una directory per le immagini catturate.

Cartella Video: imposta una directory per i video registrati.

Options (Opzioni)

Resolution (Risoluzione): imposta la risoluzione delle immagini.

Date/Time (Data/Ora): nasconde o mostra la data e l'ora della cattura durante l'anteprima.

Language (Lingua): cambia la lingua dell'interfaccia utente.

XY Guide (Guida XY): nasconde o mostra una griglia sulle immagini.

Full screen mode (Modalità schermo intero): passa a schermo intero.

Capture (Cattura)

Photo (Foto): cattura un'immagine.

Video: registra un video.

Cattura di un'immagine

Cliccare sull'icona corrispondente nella barra degli strumenti o selezionare Photo (Foto) dal menù Capture (Cattura).

Registrazione di un video

Cliccare sull'icona corrispondente nella barra degli strumenti o selezionare Video dal menù Capture (Cattura).

Sequenza di scatti

Cliccare sull'icona corrispondente nella barra degli strumenti. Apparirà quindi una finestra di dialogo dove sarà possibile impostare i vari parametri per la sequenza di scatti. Cliccare sul pulsante di opzione Photo (Foto) per impostare l'ora di inizio della cattura immagini, l'intervallo tra gli scatti e il loro numero totale. Cliccare sul pulsante di opzione Video per impostare l'ora di inizio della registrazione video, la sua durata l'intervallo tra le registrazioni e il numero totale di video.



Salva come



Copia negli appunti



Copia file



Immagine precedente



Immagine successiva



Annulla l'ultima operazione



Ripeti l'ultima operazione



Disegna



Testo



Misura



Calibrazione

Calibration (Calibrazione)

Prima della calibrazione del microscopio, attivare la griglia sul display. Per farlo, selezionare On da Options (Opzioni) -> XY Guide (Guida XY). La griglia è visibile come impostazione predefinita. Posizionare la scala di calibrazione sul tavolino e mettere a fuoco. Assicurarsi che l'asse verticale della griglia sia parallelo alle tacche sulla scala e catturare un'immagine. Fare doppio clic sull'anteprima dell'immagine per aprirla in una finestra separata.

Cliccare sull'icona corrispondente nella barra degli strumenti per iniziare la calibrazione. Usando il mouse, scegliere due punti sull'immagine (è necessario conoscere già la distanza esatta tra i due punti). Dopo aver scelto il secondo punto, si aprirà una finestra di dialogo dove immettere la distanza nota nel campo Actual dimension (Dimensioni reali). L'applicazione calcolerà automaticamente l'ingrandimento dell'immagine. Cliccare su OK per chiudere la finestra di dialogo. L'ingrandimento calcolato sarà mostrato nel campo Magnification (Ingrandimento).

Nota: I punti scelti dovrebbero formare una linea orizzontale.

È possibile controllare i risultati della calibrazione misurando la stessa distanza con lo strumento Straight line (Linea dritta). Cliccare sull'icona delle misure, scegliere lo strumento Straight line (Linea dritta) e disegnare una linea simile alla precedente sull'immagine. Se la distanza misurata corrisponde alla distanza reale nota, la calibrazione è avvenuta con successo.

Recalibration (Ricalibrazione)

Il processo di calibrazione deve essere ripetuto se l'ingrandimento o la messa a fuoco vengono cambiati durante l'osservazione.

Cliccare di nuovo sull'icona corrispondente nella barra degli strumenti e selezionare Reset picture magnification (Reimposta ingrandimento immagine) da Reset magnification (Reimposta ingrandimento). Ripetere il processo di calibrazione descritto sopra. Cambiare l'ingrandimento e catturare qualche immagine. Fare doppio clic sulle miniature per aprire l'immagine corrispondente in modalità anteprima. Cliccare di nuovo sull'icona corrispondente nella barra degli strumenti e selezionare Set picture magnification (Imposta ingrandimento immagine) da Set magnification (Imposta ingrandimento). Inserire l'ingrandimento corrente nella finestra di dialogo e cliccare su OK.

Se si desidera utilizzare lo stesso ingrandimento per la cattura di immagini future, cliccare sull'icona della calibrazione nella barra degli strumenti e selezionare Set capture magnification (Imposta ingrandimento cattura) da Set magnification (Imposta ingrandimento).

Measurements (Misura)

Si consiglia di calibrare il sistema prima di procedere con le misure.

Straight line (Linea retta). Tenere premuto il pulsante sinistro del mouse per iniziare a disegnare una linea. Rilasciare il pulsante sinistro per completare la linea.

Continuous Line (Linea continua). Tenere premuto il pulsante sinistro del mouse e disegnare una linea. Rilasciare il pulsante sinistro per completare il segmento. Puoi continuare ad aggiungere altri segmenti alla linea in formato libero.

Radius Circle (Raggio del cerchio). Disegnare una linea retta sull'immagine. L'applicazione calcolerà in automatico raggio, circonferenza e area del cerchio corrispondente.

Diameter Circle (Diametro del cerchio). Disegnare una linea retta sull'immagine. L'applicazione calcolerà in automatico diametro, circonferenza e area del cerchio corrispondente.

Three Points Angle (Angolo a tre punti). Tenere premuto il pulsante sinistro del mouse e disegnare una linea. Rilasciare il pulsante sinistro e disegnare una seconda linea consecutiva. L'applicazione calcolerà in automatico il valore dell'angolo risultante.

Disegni e testo

PortableCapture consente di aggiungere disegni e caselle di testo alle tue immagini. Apri un'immagine nella finestra di anteprima e clicca sull'icona Matita nella barra degli strumenti. Seleziona uno degli strumenti dal menù a discesa e disegna sull'immagine. Cliccando sull'icona TT nella barra degli strumenti, è possibile modificare il tipo di carattere e il colore da usare nelle caselle di testo.

Specifiche

Schermo LDC	4"
Materiale delle ottiche	vetro ottico
Megapixel	5
Ingrandimenti	10—300x
Foto	*.jpg
Video	*.avi
Messa a fuoco	manuale, 0—100 mm
Velocità acquisizione	30 fps
Illuminazione	sistema a 8 LED con regolazione luminosità
Materiale corpo	plastica
Alimentazione	5 V DC in ingresso tramite cavo USB o batteria agli ioni di litio: 3,7 V, 1050 mAh autonomia: 2,5 ore; tempo di ricarica: 4 ore
Software	software di elaborazione immagini e video con funzione di misura
Lingue software	inglese, tedesco, francese, spagnolo, russo, giapponese, cinese, ecc.

Possibilità di connettere dispositivi aggiuntivi

supporto per scheda MicroSD fino a 32 GB di memoria (non inclusa nel kit)
connessione al PC tramite cavo USB (incluso)
connessione alla TV tramite cavo AV (incluso)

Intervallo temperature di funzionamento

-10... +65 °C

Il produttore si riserva il diritto di modificare senza preavviso le specifiche tecniche e la gamma dei prodotti.

Requisiti di sistema

Sistema operativo: Windows 7/8/10, Mac 10.14 e successivi
CPU: almeno Pentium 2.1 GHz o superiore, RAM: 512 MB, scheda video: 512 MB
Interfacce: USB 2.0, lettore CD, qualsiasi monitor con ingresso AV

Cura e manutenzione

Non utilizzare in nessun caso questo apparecchio per guardare direttamente il sole, un'altra sorgente di luce ad alta luminosità o un laser, perché ciò potrebbe provocare DANNI PERMANENTI ALLA RETINA e portare a CECITÀ. Nel caso si utilizzi l'apparecchio in presenza di bambini o altre persone che non siano in grado di leggere o comprendere appieno queste istruzioni, prendere le precauzioni necessarie. Dopo aver disimballato il microscopio e prima di utilizzarlo per la prima volta, verificare l'integrità e lo stato di conservazione di tutte le componenti e le connessioni. Non cercare per nessun motivo di smontare autonomamente l'apparecchio. Per qualsiasi intervento di riparazione e pulizia, contattare il centro di assistenza specializzato di zona. Proteggere l'apparecchio da urti improvvisi ed evitare che sia sottoposto ad eccessiva forza meccanica. Durante la messa a fuoco, non applicare una forza eccessiva. Non stringere eccessivamente le viti di bloccaggio. Non toccare le superfici ottiche con le dita. Per pulire l'esterno dell'apparecchio, utilizzare soltanto le salviette apposite e gli strumenti di pulizia dell'ottica apposti offerti da Levenhuk. Non utilizzare fluidi corrosivi o a base di acetone per pulire l'ottica del dispositivo. Per rimuovere eventuali particelle abrasive, ad esempio sabbia, dalle lenti, non strofinare, ma soffiare oppure utilizzare una spazzola morbida. Non utilizzare il dispositivo per lunghi periodi e non lasciarlo incustodito sotto i raggi diretti del sole. Non esporre il dispositivo all'acqua o a elevata umidità. Prestare attenzione durante le osservazioni e, una volta terminato, rimettere sempre il coperchio protettivo per proteggere l'apparecchio da polvere e macchie. Se non si intende utilizzare il microscopio per periodi prolungati, conservare le lenti obiettivo e gli oculari separatamente dal microscopio. Conservare l'apparecchio in un posto fresco e asciutto, al riparo da acidi pericolosi e altri prodotti chimici, da apparecchi di riscaldamento, da fiamme libere e da altre fonti di calore. Cercare di non utilizzare il microscopio in prossimità di materiali o sostanze infiammabili (benzene, carta, cartone ecc), poiché la base potrebbe riscaldarsi durante l'utilizzo e rappresentare un rischio di incendio. Disconnettere sempre il microscopio dall'alimentazione prima di aprire la base o sostituire la lampadina di illuminazione. Independentemente dal tipo di lampadina (alogeno o a incandescenza), attendere che si sia raffreddata prima di cercare di sostituirla e sostituirla sempre con una lampadina dello stesso tipo. Utilizzare sempre un'alimentazione di tensione adeguata, cioè quella indicata nelle specifiche del microscopio. Collegare lo strumento a una presa di alimentazione differente potrebbe provocare il danneggiamento dei circuiti elettrici del microscopio, bruciare la lampadina o addirittura causare un corto circuito. **I bambini dovrebbero utilizzare il microscopio soltanto con la supervisione di un adulto. In caso di ingestione di una parte di piccole dimensioni o di una batteria, richiedere immediatamente assistenza medica.**

Istruzioni di sicurezza per le batterie

Acquistare batterie di dimensione e tipo adeguati per l'uso di destinazione. Sostituire sempre tutte le batterie contemporaneamente, evitando accuratamente di mischiare batterie vecchie con batterie nuove oppure batterie di tipo differente. Prima della sostituzione, pulire i contatti della batteria e quelli dell'apparecchio. Assicurarsi che le batterie siano state inserite con la corretta polarità (+ e -). Se non si intende utilizzare l'apparecchio per lungo periodo, rimuovere le batterie. Rimuovere subito le batterie esaurite. Non cortocircuitare le batterie, perché ciò potrebbe provocare forte riscaldamento, perdita di liquido o esplosione. Non tentare di riattivare le batterie riscaldandole. Non disassemblare le batterie. Dopo l'utilizzo, non dimenticare di spegnere l'apparecchio. Per evitare il rischio di ingestione, soffocamento o intossicazione, tenere le batterie fuori dalla portata dei bambini. Disporre delle batterie esaurite secondo le norme vigenti nel proprio paese.

Garanzia Levenhuk

I prodotti ottici Levenhuk sono coperti da **2 anni** di garanzia per quanto riguarda i difetti di fabbricazione e dei materiali. Tutti gli accessori Levenhuk godono di una garanzia di **2 anni** a partire dalla data di acquisto per quanto riguarda i difetti di fabbricazione e dei materiali. La garanzia conferisce il diritto alla riparazione o sostituzione gratuita del prodotto Levenhuk in tutti i paesi in cui è presente una sede Levenhuk, a patto che tutte le condizioni di garanzia siano rispettate.

Per maggiori dettagli, visitare il nostro sito web: www.levenhuk.eu/warranty
Per qualsiasi problema di garanzia o necessità di assistenza per l'utilizzo del prodotto, contattare la filiale Levenhuk di zona.

Discovery

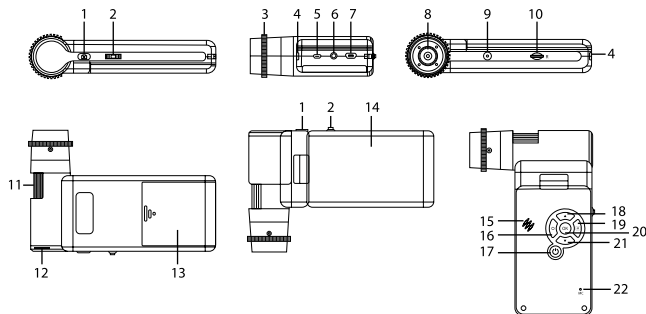
Artisan 1024

Mikroskop cyfrowy

PL

Elementy mikroskopu

- 1 Rejestrowanie
- 2 Pokrętło do regulacji powiększenia
- 3 Pokrętło filtra polaryzacyjnego
- 4 Wskaźnik stanu baterii
- 5 Gniazdo wyjściowe HDMI
- 6 Gniazdo wyjściowe AV
- 7 Prąd stały: ładowanie akumulatora USB: wyjście do komputera
- 8 Obiektyw
- 9 Śruba 1/4"
- 10 Gniazdo karty pamięci MicroSD
- 11 Pokrętło ostrości
- 12 Pokrętło do regulacji jasności
- 13 Komora baterii
- 14 Kolorowy ekran LCD 4"
- 15 Głośnik
- 16 Ustawienia
- 17 Wł./wył. zasilania
- 18 W górę
- 19 Foto/Wideo/Odtwarzanie
- 20 OK (potwierdź)
- 21 W dół
- 22 Mikrofon



W skład zestawu wchodzi: mikroskop, statyw, kabel USB, kabel AV, kabel zasilający, płyta instalacyjna, sakwa, instrukcja obsługi i karta gwarancyjna.

Pod żadnym pozorem nie wolno kierować przyrządu bezpośrednio na słońce, światło laserowe lub inne źródło jasnego światła, ponieważ może to spowodować TRWAŁE USZKODZENIE SIATKÓWKI lub doprowadzić do ŚLEPOTY.

Montaż mikroskopu

Otwórz komorę baterii. Umieść baterię w komorze zgodnie z polaryzacją. Przed pierwszym uruchomieniem mikroskopu należy pamiętać o całkowitym naładowaniu baterii. Podłącz kabel zasilający do gniazda w obudowie mikroskopu (7), a następnie podłącz go do źródła zasilania. Wskaźnik statusu baterii (4) będzie świecił na czerwono. Po pełnym naładowaniu baterii wskaźnik zgaśnie. W tym momencie możesz odłączyć mikroskop od źródła zasilania i uruchomić go. W pełni naładowana bateria umożliwia korzystanie z mikroskopu przez 2,5 godziny. W miarę spadku naładowania baterii podświetlenie słabnie, a jakość obrazu spada. W takim przypadku naładuj baterię w sposób opisany powyżej.

Na (dostępnej osobno) karcie MicroSD zapisywane są zdjęcia i nagrane filmy. Wyłącz mikroskop i wsuwa kartę MicroSD do odpowiedniego gniazda w obudowie mikroskopu aż do momentu jej zablokowania (odgłos kliknięcia). Podczas umieszczania karty MicroSD w gnieździe nie wywieraj na nią nadmiernej siły. Jeżeli umieszczenie karty w gnieździe sprawia trudności, należy ją obrócić. Przed rozpoczęciem użytkowania sformatować kartę. Aby wyłączyć mikroskop, otwórz wyświetlacz LCD lub naciśnij przycisk zasilania (17). Aby wyłączyć mikroskop, zamknij wyświetlacz LCD lub naciśnij ponownie przycisk zasilania (17) (więcej informacji zawiera rozdział Oszczędność energii).

Ikony ekranowe



Rejestruj obraz



Uruchom i zatrzymaj rejestrowanie filmu



Odtwarzanie

001618

Łączna liczba obrazów, które można zarejestrować (w bieżącej rozdzielczości)

12M

Bieżąca rozdzielczość obrazu



Ikona stanu karty MicroSD



Wskaźnik naładowania akumulatora

Uwaga: Ikony interfejsu zostaną ukryte, jeśli żaden przycisk nie zostanie naciśnięty i przytrzymany przez 10 sekund.

Przechwytywanie obrazu

Włącz mikroskop i skieruj go w stronę obiektu. Upewnij się, że wyświetlacz LCD jest całkowicie otwarty. Wyreguluj jasność oświetlenia, aby próbka była równo oświetlona. Zmień powiększenie, a następnie wyreguluj ostrość obrazu i naciśnij przycisk rejestrowania (1), aby zrobić zdjęcie.

Nagrywanie filmu

Naciśnij przycisk Foto/Wideo/Odtwarzanie (19), aby przejść do trybu wideo. Ikona w lewym górnym rogu ekranu zmieni się. Naciśnij przycisk rejestrowania (1), aby rozpocząć nagrywanie, i naciśnij go ponownie, aby je zatrzymać.

Odtwarzanie

Naciśnij przycisk Foto/Wideo/Odtwarzanie (19), aby włączyć tryb odtwarzania. Ikona w lewym górnym rogu ekranu zmieni się. Wybierz żądane zdjęcie lub klip, używając przycisków W górę (18) i W dół (21), a następnie naciśnij przycisk OK (20), aby go odtworzyć.

Usuwanie plików

Podczas przeglądania zapisanych plików naciśnij przycisk ustawień (16), wybierz Delete... (usuń) i naciśnij OK (20), aby potwierdzić wybór (można usunąć wszystkie pliki jednocześnie bądź tylko wybrany plik).

Ochrona plików

Podczas przeglądania zapisanych plików naciśnij przycisk ustawień (16), wybierz Protect (zabezpiecz) i naciśnij OK (20), aby potwierdzić wybór (możesz zabezpieczyć wszystkie pliki jednocześnie bądź tylko wybrany plik).

Powiększenie

Obracaj pokrętkę regulacji powiększenia (2), aby zwiększać lub zmniejszać powiększenie.

Filtr polaryzacyjny

Filtr polaryzacyjny można stosować w celu zmniejszenia refleksów świetlnych podczas obserwowania obiektów o błyszczących powierzchniach, takich jak metale, kryształy itp. Obróć pokrętkę filtra polaryzacyjnego (3) o 90 stopni, aby aktywować lub dezaktywować efekt polaryzacji.

Pamięć masowa komputera

Należy włożyć kartę pamięci MicroSD do gniazda. Podłącz mikroskop do komputera przewodem USB, aby pobrać obrazy z karty na komputer.

Podgląd na komputerze

Funkcja działa tylko w zainstalowanym oprogramowaniu. Należy wyjąć kartę pamięci MicroSD z gniazda. Podłącz mikroskop do komputera przewodem USB.

Podłączanie mikroskopu do telewizora

Jeden koniec kabla AV podłącz do mikroskopu, a drugi do telewizora (dodatkowe informacje zawiera instrukcja obsługi telewizora).

Włącz telewizor i wybierz z menu telewizora odpowiedni kanał (dodatkowe informacje zawiera instrukcja obsługi telewizora).

Montaż statywu

Umieść statyw na stabilnym podłożu. Włóż końcówkę statywu do otworu gwintowanego (9) i przekręć mikroskop, aby go zamocować. Nie przekraczaj mikroskopu ze zbyt dużą siłą, ponieważ może to doprowadzić do uszkodzenia zarówno mikroskopu, jak i statywu. W razie potrzeby można wyregulować wysokość statywu.

Menu ekranowe

Naciśnij przycisk ustawień (16), aby otworzyć główne menu ekranowe. W tym menu można ustawić rozdzielczość obrazów i filmów, ustawić język interfejsu,

włączyć tryb oszczędzania energii, ukryć lub włączyć wyświetlanie daty i godziny, skonfigurować połączenie z telewizorem, sformatować kartę pamięci SD, zresetować ustawienia i sprawdzić wersję sprzętu. Za jego pośrednictwem można także uzyskać dostęp do trybu rejestrowania w pętli i opcji oznaczenia daty.

Rozdzielczość

Wybierz Rozdzielczość w menu głównym i wybierz wymaganą rozdzielczość obrazu lub filmu, naciskając przycisk w dół (21), a następnie potwierdź wybór, naciskając przycisk OK (20).

Uwaga: Ten model obsługuje następujące rozdzielczości obrazu: 12M, 10M, 8M, 5M, 3M; rozdzielczości filmu: 1080P, 720P.

Tryb rejestrowania

W trybie zdjęć naciśnij przycisk ustawień (16) i wybierz Capture (tryb rejestrowania), aby skonfigurować rejestrowanie sekwencji. Mikroskop można przykładowo ustawić w taki sposób, aby robił zdjęcie co 5 sekund.

Rejestrowanie w pętli

W trybie wideo naciśnij przycisk ustawień (16) i wybierz Loop recording (tryb rejestrowania w pętli). Można wybrać czas trwania klipu lub włączyć tryb rejestrowania w pętli. Po włączeniu trybu rejestrowania w pętli kolejne klipy o wybranym czasie trwania będą nadpisywane na już zarejestrowanych.

Oznaczenie daty

Wybierz Oznaczenie daty w menu głównym i wybierz opcję docelową.

Data i czas

Wybierz Data/Czas w menu głównym przyciskiem w dół (21) i ustaw bieżącą datę i godzinę.

Połączenie z telewizorem

Wybierz Tryb telewizyjny w menu głównym, a następnie wybierz prawidłowy system, zgodny z telewizorem: NTSC lub PAL. Naciśnij przycisk OK (20), aby potwierdzić wybór.

Oszczędzanie energii

Wybierz Automatycznie wyłączenie w menu głównym i ustaw czas bezczynności, po którym mikroskop wyłączy się automatycznie. Naciśnij przycisk OK (20), aby potwierdzić wybór.

Resetowanie ustawień

Wybierz Ustawienia domyślne w menu głównym, aby przywrócić ustawienia fabryczne.

Język

Wybierz Język w menu głównym i wybierz jedno z istniejących ustawień. Naciśnij przycisk OK (4), aby potwierdzić wybór.

Formatowanie karty pamięci MicroSD

Wybierz Formatuj kartę SD w menu głównym, aby sformatować włożoną do gniazda kartę pamięci. Po sformatowaniu karty wszystkie pliki zapisane na niej zostaną usunięte. Zwykle karty pamięci nie trzeba formatować, chyba, że nie można zapisać na niej zarejestrowanego obrazu.

Oprogramowanie PortableCapture

Włóż płytę instalacyjną do napędu CD. Wybierz folder zgodnie z systemem operacyjnym urządzenia. Kliknij dwukrotnie plik instalacyjny, aby zainstalować aplikację i postępuj zgodnie z instrukcjami wyświetlanymi na ekranie. Na płycie instalacyjnej jest kopia niniejszej instrukcji obsługi, którą można przeczytać, klikając odpowiednie polecenie w menu głównym. Podłącz mikroskop do komputera przewodem USB i uruchom aplikację PortableCapture. W wyskakującym oknieknie pojawi się ostrzeżenie o tym, że mikroskop nie jest podłączony do komputera.

Menu aplikacji



Rejestruj obraz



Uruchom i zatrzymaj rejestrowanie filmu



Rejestrowanie sekwencji (można ustawić czas rozpoczęcia rejestrowania obrazów lub filmu, odstęp czasu między nimi, długość filmu i liczbę zarejestrowanych obrazów lub filmów)



Tryb pełnoekranowy. Aby opuścić tryb pełnoekranowy, należy nacisnąć klawisz Escape na klawiaturze lub kliknąć dwukrotnie dowolne miejsce na ekranie

Plik

Katalog zdjęć: ustaw katalog dla rejestrowanych obrazów.

Katalog wideo: ustaw katalog dla rejestrowanych filmów.

Opcje

Rozdzielczość: ustaw rozdzielczość obrazu.

Data/Czas: ukryj lub włącz wyświetlanie daty i godziny rejestracji podczas podglądu.

Język: zmień język interfejsu użytkownika.

Siatka: ukryj lub włącz wyświetlanie siatki na obrazach.

Tryb pełnoekranowy: przejdź do trybu pełnoekranowego.

Przechwyć

Zdjęcie: zarejestruj obraz.

Wideo: zarejestruj film.

Rejestrowanie obrazu

Kliknij odpowiednią ikonę na pasku narzędzi lub wybierz Zdjęcie w menu Przechwyć.

Rejestrowanie filmu

Kliknij odpowiednią ikonę na pasku narzędzi lub wybierz Wideo w menu Przechwyć.

Rejestrowanie sekwencji

Kliknij odpowiednią ikonę na pasku narzędzi. Zostanie wyświetlone okno dialogowe, w którym można ustawić liczne parametry rejestrowania sekwencji.

Kliknij przycisk opcji Zdjęcie, aby ustawić czas rozpoczęcia rejestrowania obrazów, czas przerwy między nimi i łączną liczbę obrazów. Kliknij przycisk opcji Wideo, aby ustawić czas rozpoczęcia rejestrowania filmów, ich czas trwania, czas przerwy między nimi i łączną liczbę klipów.



Zapisz jako



Kopiuj do schowka



Kopiuj plik



Poprzedni obraz



Następny obraz



Cofnij ostatnie działanie



Powtórz ostatnie działanie



Rysuj



Tekst



Pomiar



Kalibracja

Kalibracja

Przed skalibrowaniem mikroskopu włącz podziatkę. Aby to zrobić, wybierz opcję on (wł.) w menu Options > XY Guide (Opcje > Siatka). Domyślnie podziatka jest widoczna. Umieść skalę kalibracyjną na stoliku i wyostż obraz. Upewnij się, że pionowa oś podziatki jest równoległa względem linii na skali i przechwyć obraz. Dwukrotnie kliknij miniaturę obrazu, aby otworzyć ją w osobnym oknie.

Kliknij odpowiednią ikonę na pasku zadań, aby rozpocząć kalibrację. Za pomocą myszy zaznacz dwa punkty na obrazie (konieczna jest znajomość rzeczywistej odległości pomiędzy punktami). Po zaznaczeniu drugiego punktu wyświetlone zostanie okno dialogowe, w którym należy wprowadzić znaną odległość w polu Actual dimension (Wymiar rzeczywisty). Aplikacja automatycznie wyznaczy stopień powiększenia obrazu. Kliknij OK, aby zamknąć okno dialogowe. Wyznaczone powiększenie zostanie wyświetlone w polu Magnification (Powiększenie).

Uwaga: Zaznaczone punkty powinny tworzyć linię poziomą.

Wyniki kalibracji można zmierzyć, mierząc tę samą odległość narzędziem prostej. Kliknij ikonę pomiarów, wybierz narzędzie prostej i narysuj podobną linię na obrazie. Jeśli zmierzona odległość jest taka sama, jak rzeczywista, kalibracja powiodła się.

Ponowna kalibracja

Kalibrację należy powtórzyć, jeżeli powiększenie lub ostrość zostały zmienione podczas obserwacji.

Ponownie kliknij odpowiednią ikonę na pasku zadań i wybierz Reset picture magnification (Resetuj powiększenie obrazu) w poleceniu Reset magnification (Resetuj powiększenie). Powtórz proces kalibracji w sposób opisany powyżej. Zmień powiększenie i przechwyć kilka obrazów. Dwukrotnie kliknij jedną z miniatur, aby otworzyć obraz w oknie podglądu. Kliknij ikonę kalibracji na pasku narzędzi i wybierz Set picture magnification (Ustaw powiększenie obrazu) w poleceniu Set magnification (Ustaw powiększenie). W wyświetlonym oknie dialogowym wprowadź aktualną wartość powiększenia i kliknij OK.

Jeżeli podczas przechwytywania obrazów w przyszłości powiększenie ma zostać zachowane, kliknij ikonę kalibracji na pasku narzędzi i wybierz Set capture magnification (Ustaw powiększenie przechwytywania) w poleceniu Set magnification (Ustaw powiększenie).

Pomiary

Przed wykonaniem pomiarów zaleca się przeprowadzenie kalibracji systemu. Prosta. Naciśnij i przytrzymaj lewy przycisk myszy, aby rozpocząć rysowanie linii. Zwolnij lewy przycisk myszy, aby zakończyć rysowanie linii.

Linia ciągła. Narysuj tym narzędziem krzywą na obrazie i zmierz jej długość.

Promień koła. Narysuj prostą na obrazie. Aplikacja automatycznie obliczy promień, obwód oraz pole powierzchni odpowiedniego koła.

Średnica koła. Narysuj prostą na obrazie. Aplikacja automatycznie obliczy średnicę, obwód oraz pole powierzchni odpowiedniego koła.

Kąt na podstawie trzech punktów. Użyj myszy, aby umieścić trzy punkty na obrazie. Aplikacja automatycznie obliczy wartość kąta.

Rysowanie i wprowadzanie notatek tekstowych

PortableCapture umożliwia dodawanie do obrazów rysunków i pól tekstowych.

Otwórz obraz w oknie podglądu i kliknij ikonę otwórka na pasku zadań. Z rozwijanego menu wybierz jedno z narzędzi i wykonaj rysunek na obrazie. Kliknięcie ikony TT na pasku narzędzi umożliwia edytowanie typu i koloru czcionki tekstu wpisywanego w polach tekstowych.

Dane techniczne

Wyświetlacz LCD	4"
Materiał układu optycznego	szkło optyczne
Megapiksele	5
Powiększenie	10—300 razy
Zdjęcia	*.jpg
Filmy	*.avi
Pokrętko ostrości	ręczne, 0—100 mm
Szybkość	30 kl./s
Oświetlenie	system 8 diod LED z regulacją jasności
Materiał korpusu	tworzywo sztuczne
Zasilanie	5 V DC za pośrednictwem przewodu USB lub bateria litowo-jonowa: 3,7 V, 1050 mAh czas pracy: 2,5 godzin; czas ładowania: 4 godzin
Oprogramowanie	oprogramowanie do przetwarzania obrazów i filmów z funkcją pomiaru
Język interfejsu	angielski, niemiecki, francuski, hiszpański, rosyjski, japoński, chiński, itp.
Możliwość podłączenia dodatkowych urządzeń	obsługa kart MicroSD o pojemności do 32 GB (nie wchodzi w skład zestawu) połączenie z komputerem za pośrednictwem przewodu USB (w zestawie) połączenie z telewizorem za pośrednictwem przewodu AV (w zestawie)
Zakres temperatury pracy	-10... +65 °C

Producent zastrzega sobie prawo wprowadzenia zmian w ofercie produktów i specyfikacjach bez uprzedniego powiadomienia.

Wymagania systemowe

System operacyjny: Windows 7/8/10, Mac 10.14 albo wyżej

Procesor: co najmniej P4 1 GHz, RAM: 512 Mb, Karta wideo: 512 Mb

Interfejs: USB 2.0, napęd CD, monitor: jakikolwiek monitor z gniazdem AV

Konserwacja i pielęgnacja

Pod żadnym pozorem nie wolno kierować przyrządu bezpośrednio na słońce, światło laserowe lub inne źródło jasnego światła, ponieważ może to spowodować TRWAŁE USZKODZENIE SIĄTKÓWKI lub doprowadzić do ŚLEPOTY. Zachowaj szczególną ostrożność, gdy urządzenia używają dzieci lub osoby, które nie w pełni zapoznają się z instrukcjami. Po rozpakowaniu mikroskopu i przed jego pierwszym użyciem należy sprawdzić stan i prawidłowość podłączenia każdego elementu. Nie podejmuj prób samodzielnego demontażu urządzenia, nawet w celu wyczyszczenia lustra. W celu wszelkich napraw i czyszczenia skontaktuj się z punktem serwisowym. Chroni przyrząd przed upadkami z wysokości i działaniami nadmiernej siły mechanicznej. Nie należy używać nadmiernej siły podczas ustawiania ostrości. Nie należy dokręcać zbyt mocno śrub blokujących. Nie dotykaj powierzchni optycznych palcami. Do czyszczenia zewnętrznych powierzchni przyrządu używaj tylko specjalnych ściereczek i narzędzi do czyszczenia optyki Levenhuk. Nie czyść układu optycznego za pomocą środków żrących lub zawierających aceton. Częsteczki ściągające, takie jak ziarna piasku, powinny być zdmuchiwane z powierzchni soczewek lub usuwane za pomocą miękkiej szcztotki. Nie wystawiaj przyrządu na długotrwałe działanie promieni słonecznych. Trzymaj z dala od wody. Nie należy przechowywać w warunkach wysokiej wilgotności. Podczas obserwacji należy zachować ostrożność. Po zakończeniu obserwacji zaość ostroję przeciwpyletą w celu zabezpieczenia mikroskopu przed kurzem i zanieczyszczeniami. W przypadku korzystania z mikroskopu przez dłuższy czas soczewki obiektywowe i okulary oraz mikroskop należy przechowywać osobno. Przyrząd powinien być przechowywany w suchym, chłodnym miejscu, z dala od kurzu, niebezpiecznych kwasów oraz innych substancji chemicznych, grzejników, otwartego ognia i innych źródeł wysokiej temperatury. Staraj się nie korzystać z mikroskopu w pobliżu łatwopalnych materiałów lub substancji (benzenu, papieru, kartonu, tworzywa sztucznego itp.), ponieważ nagrzewająca się podczas użytkowania podstawa może spowodować ryzyko pożaru. Przed każdym otwarciem podstawy lub wymianą lampy odczuj mikroskop od źródła zasilania. Przed wymianą lampy, niezależnie od jej rodzaju (halogenowa lub żarowa), zczekaj, aż jej temperatura spadnie. Lampy wymieniaj zawsze na modele tego samego typu. Pamiętaj, aby moc zasilania była dopasowana do napięcia — jest ono podane w danych technicznych nowego mikroskopu. Podłączenie do gniazda zasilającego o innej mocy może spowodować uszkodzenie zespołu obwodów elektrycznych przyrządu, spalanie lampy, a nawet zwarcie. Używanie mikroskopu przez dzieci może odbywać się tylko pod nadzorem osób dorosłych. W przypadku poknięcia małej części lub baterii należy natychmiast zwrócić się o pomoc medyczną.

Instrukcje dotyczące bezpiecznego obchodzenia się z bateriami

Należy używać baterii odpowiedniego typu i w odpowiednim rozmiarze. Należy wymieniać wszystkie baterie jednocześnie; nie należy łączyć starych i nowych baterii ani baterii różnych typów. Przed włożeniem baterii należy wyczyścić styki baterii i urządzenia. Podczas wkładania baterii należy zwracać uwagę na ich bieguny (znaki + i -). Jeśli sprzęt nie będzie używany przez dłuższy czas, należy wyjąć baterie. Zużyte baterie należy natychmiast wyrzucić. Nie doprowadzać do zwarcia baterii, ponieważ wiąże się to z ryzykiem powstania wysokich temperatur, wycieku lub wybuchu. Nie ogrzewać baterii w celu przedłużenia czasu ich działania.

Nie demontuj baterii. Należy pamiętać o wyłączeniu urządzenia po zakończeniu użytkowania. Baterie przechowywać w miejscu niedostępnym dla dzieci, aby uniknąć ryzyka połamania, uduszenia lub zatrucia. Zużyte baterie należy utylizować zgodnie z obowiązującymi lokalnie przepisami.

Gwarancja Levenhuk

Produkty optyczne Levenhuk mają **2-letnią** gwarancję na wady materiałowe i wykonawcze. Wszystkie akcesoria Levenhuk są wolne od wad materiałowych oraz wykonawczych i pozostaną takie przez **2 lata** od daty zakupu detalicznego. Levenhuk naprawi lub wymieni produkt w dowolnym kraju, w którym Levenhuk posiada swój oddział, o ile spełnione będą warunki gwarancji.

Więcej informacji na ten temat podano na stronie: www.levenhuk.pl/gwarancja
W przypadku wątpliwości związanych z gwarancją lub korzystaniem z produktu, proszę skontaktować się z lokalnym przedstawicielem Levenhuk.

Discovery

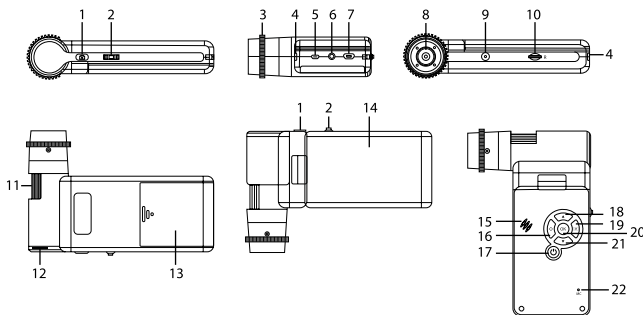
Artisan 1024

Microscópio digital

PT

Peças do microscópio

- 1 Capturar
- 2 Roda de ajuste do zoom
- 3 Roda polarizadora
- 4 Indicador de estado da bateria
- 5 Saída de HDMI
- 6 Saída de AV
- 7 DC: bateria de carga
USB: saída para PC
- 8 Lente da objetiva
- 9 Parafuso de 1/4"
- 10 Ranhura de MicroSD
- 11 Roda de foco
- 12 Roda de ajuste do brilho
- 13 Compartimento da bateria
- 14 Ecrã LCD de 4" a cores
- 15 Coluna
- 16 Configurar
- 17 Ligar/desligar
- 18 Para cima
Fotografia/vídeo/reprodução
- 20 OK (Confirmar)
- 21 Para baixo
- 22 Microfone



O kit inclui: microscópio, tripé, bateria recarregável, cabo USB, cabo de AV, adaptador de alimentação, CD de software, bolsa, manual do utilizador e garantia vitalícia.

Nunca, em qualquer circunstância, olhe diretamente para o Sol, ou para outra fonte de luz intensa, ou para um laser através deste dispositivo, pois isso pode causar DANOS PERMANENTES À RETINA e pode levar à CEGUEIRA.

Montagem do microscópio

Abra o compartimento da bateria e insira a bateria no compartimento correspondendo à polaridade indicada. A bateria tem de ser totalmente carregada antes de ligar o microscópio pela primeira vez. Ligue o cabo de alimentação à tomada do cabo de alimentação no corpo do microscópio (7) e ligue-o a uma fonte de alimentação. O indicador de estado da bateria (4) ficará vermelho. Quando a bateria estiver totalmente carregada, o indicador apaga-se. Poderá então desligar o microscópio da fonte de alimentação e ligá-lo. A bateria totalmente carregada permite utilizar o microscópio durante 2,5 horas. A iluminação ficará fraca e a qualidade da imagem diminuirá para informá-lo de que a bateria tem pouca carga. Carregue a bateria, conforme descrito acima.

É necessário um cartão MicroSD (comprado em separado) para guardar imagens capturadas e vídeos gravados. Desligue o microscópio e insira o cartão MicroSD na ranhura correspondente no corpo do microscópio até que fique encaixado com um clique. Não aplique força excessiva ao inserir o cartão MicroSD. Tente rodar o cartão, se não ficar encaixado com facilidade. Formatar o cartão antes de o utilizar. Para ligar o microscópio, abra o ecrã LCD ou prima o botão para ligar/desligar (17). Para desligar o microscópio, dobre o ecrã LCD ou prima novamente o botão para ligar/desligar (17) (consulte a secção de poupança de energia para obter mais informações).

Ícones da interface

- | | | | |
|------------|--------------------------------|---------------|--|
| | Capturar uma imagem | | Iniciar e parar gravação de vídeo |
| | Modo de reprodução | 001618 | Número total de imagens que podem ser capturadas (com base na resolução atual) |
| 12M | Resolução de imagem atual | | Ícone de estado de MicroSD |
| | Indicador de estado da bateria | | |

Nota: os ícones da interface serão ocultados se nenhuma tecla for mantida premida durante 10 segundos.

Capturar uma imagem

Ligue o microscópio e aponte-o para um objeto. Certifique-se de que o ecrã LCD está totalmente desdobrado. Ajuste o brilho da iluminação, de modo a que o espécime esteja uniformemente iluminado. Altere a ampliação e, em seguida, foque a sua vista e prima o botão de captura (1) para capturar uma imagem.

Gravar um vídeo

Prima o botão de fotografia/vídeo/reprodução (19) para mudar para o modo de vídeo. O ícone no canto superior esquerdo do ecrã será alterado ao confirmar. Prima o botão de captura (1) para iniciar a gravação e prima novamente para parar.

Reprodução

Prima o botão de fotografia/vídeo/reprodução (19) para mudar para o modo de reprodução. O ícone no canto superior esquerdo do ecrã será alterado ao confirmar. Selecione a fotografia ou o clip de vídeo pretendido com os botões para cima (18) e para baixo (21) e prima OK (20) para reproduzir.

Eliminar ficheiros

Ao pesquisar ficheiros guardados, prima o botão de configuração (16), selecione Delete (Eliminar...) e prima OK (20) para confirmar a seleção (pode optar por eliminar tudo ou apenas o ficheiro selecionado no menu apresentado).

Proteger ficheiros

Ao pesquisar ficheiros guardados, prima o botão de configuração (16), selecione Protect (Proteger) e prima OK (20) para confirmar a seleção (pode optar por proteger tudo ou apenas o ficheiro selecionado no menu apresentado).

Ampliar/Reduzir

Desloque a roda de ajuste de zoom (2) para ampliar ou reduzir a sua vista.

Filtro polarizador

Pode utilizar um filtro polarizador para reduzir o reflexo da luz enquanto observa objetos com uma superfície brilhante, tal como metal, cristais, etc. Gire a roda polarizadora (3) 90 graus para ativar ou desativar o efeito polarizador.

Armazenamento em massa no PC

Insira um cartão MicroSD na ranhura. Ligue o microscópio ao seu PC com o cabo USB para descarregar imagens do cartão para o seu computador.

Pré-visualizar no PC

Funciona apenas com o software instalado. Remova o cartão MicroSD da ranhura. Ligue o microscópio ao seu PC com o cabo USB.

Ligar o microscópio a um televisor

Ligue o cabo AV ao microscópio e ligue-o ao seu televisor (consulte o manual do utilizador do televisor para obter informações adicionais). Ligue a TV e selecione o canal correto no menu correspondente do televisor (consulte o manual do utilizador do seu televisor para obter informações adicionais).

Anexar o tripé

Coloque o tripé numa superfície estável. Coloque o tripé no orifício roscado (9) no microscópio e rode o microscópio até encaixar. Não aplique pressão excessiva durante a rotação, porque pode danificar o microscópio e o tripé. A altura do tripé pode ser ajustada, se necessário.

Menu de apresentação

Prima o botão de configuração (16) para abrir o menu de apresentação principal. Neste menu, pode definir a resolução de imagem e vídeo, o idioma da interface, a data e a hora, ativar o modo de poupança de energia, configurar a ligação da TV, formatar o cartão SD, repor as definições e verificar a versão do hardware.

Além disso, este menu faculta acesso ao modo de gravação em loop e à opção de carimbo de data.

Resolução

Selecione Resolution (Resolução) de imagem ou vídeo no menu principal e escolha a resolução necessária premindo o botão para baixo (21) e, em seguida, confirme premindo o botão OK (20).

Nota: este modelo suporta as seguintes resoluções de imagem: 12M, 10M, 8M, 5M, 3M; resoluções de vídeo: 1080P, 720P.

Modo de captura

No modo de fotografia, prima o botão de configuração (16) e escolha o modo Capture (Captura) para configurar a captura em sequência. Por exemplo, pode configurar o microscópio para tirar uma fotografia a cada 5 segundos.

Gravação em loop

No modo de vídeo, prima o botão de configuração (16) e escolha Loop recording mode (Modo de gravação em loop). Pode selecionar a duração do clip de vídeo ou desligar o modo de gravação em loop. Enquanto o modo de gravação em loop estiver ligado, cada clip de vídeo da duração selecionada será gravado sobre o anterior.

Carimbo de data

Selecione Date Stamp (Carimbo de data) no menu principal e, em seguida, selecione uma opção de destino.

Data e hora

Selecione Date/Time (Data/hora) no menu principal com o botão para baixo (21) e defina a data e hora atuais.

Ligação à TV

Selecione TV Mode (Modo de TV) no menu principal e, em seguida, selecione, entre NTSC e PAL, o modo correto compatível com a sua TV. Prima o botão OK (20) para confirmar a seleção.

Economia de energia

Selecione Auto Power Off (Opção de desligar automaticamente) no menu principal e defina o tempo de inatividade antes de o microscópio desligar automaticamente. Prima o botão OK (20) para confirmar a seleção.

Repor definições

Selecione Default Setting (Predefinição) no menu principal para reverter para as definições de fábrica.

Idioma

Selecione Language (Idioma) no menu principal e escolha uma das definições existentes. Prima o botão OK (20) para confirmar a seleção.

Formatação do cartão MicroSD

Selecione Format SD (Formato SD) no menu principal para formatar o cartão de memória instalado. Todos os ficheiros no cartão serão eliminados após a formatação do cartão. Normalmente, a formatação do cartão não é necessária, exceto se o seu cartão não conseguir guardar a imagem capturada.

Software PortableCapture

Insira o CD de instalação na sua unidade de CD. Escolha a pasta de acordo com o sistema operativo do seu dispositivo. Clique duas vezes no ficheiro de instalação para instalar a aplicação e siga as instruções no ecrã. O CD de instalação contém uma cópia do manual do utilizador, que pode encontrar na pasta User Manual (Manual do utilizador). Ligue o microscópio ao seu PC com um cabo USB e execute a aplicação PortableCapture. Uma mensagem de pop-up irá avisar se o microscópio não estiver ligado ao PC.

Menu da aplicação



Capturar uma imagem



Iniciar e parar gravação de vídeo



Captura em sequência (pode definir a hora para começar a capturar imagens ou vídeos, o intervalo entre capturas, a duração do vídeo e o número de imagens ou vídeos a serem capturados)



Modo de ecrã inteiro. Para sair do modo de ecrã inteiro, prima o botão Escape no seu teclado ou clique duas vezes em qualquer lugar no ecrã.

Ficheiro

Pasta de fotografias: definir um diretório para imagens capturadas.

Pasta de vídeos: definir um diretório para vídeos gravados.

Opções

Resolution (Resolução): definir a resolução das imagens.

Date/Time (Data/hora): ocultar ou apresentar a data e a hora da captura durante a pré-visualização.

Language (Idioma): alterar o idioma da interface do utilizador.

XY Guide (Guia XY): ocultar ou apresentar uma grelha nas imagens.

Full screen mode (Modo de ecrã inteiro): ir para ecrã inteiro.

Capturar

Photo (Fotografia): capturar uma imagem.

Video: gravar um vídeo.

Capturar uma imagem

Clique no ícone correspondente na barra de ferramentas ou seleccione Photo (Fotografia) no menu Capture (Captura).

Gravar um vídeo

Clique no ícone correspondente na barra de ferramentas ou seleccione o Vídeo no menu Capture (Captura).

Captura em sequência

Clique no ícone correspondente na barra de ferramentas. Será exibida uma janela de diálogo onde pode definir um número de parâmetros para a captura em sequência. Clique no botão de opção de fotografia para definir a hora para começar a capturar imagens, o intervalo entre capturas e o número total de imagens. Clique no botão de opção de vídeo para definir a hora para começar a gravar vídeos, a duração, o intervalo entre gravações e o número total de cliques.



Guardar como



Copiar para a área de transferência



Copiar ficheiro



Imagem anterior



Imagem seguinte



Anular a última ação



Repetir a última ação



Desenhar



Texto



Medição



Calibração

Calibração

Antes de calibrar o microscópio, ligue a apresentação em grelha. Para tal, seleccione On (Ligar) em Options (Opções) > XY Guide (Guia XY). Por predefinição, a grelha está visível. Coloque a escala de calibração na lâmina e foque. Certifique-se de que o eixo vertical da grelha está paralelo às divisões da escala e capture uma imagem. Clique duas vezes na miniatura da imagem para abri-la numa janela separada.

Clique no ícone correspondente na barra de ferramentas para iniciar a calibração. Utilizando o rato, escolha dois pontos na imagem (tem de saber a distância real entre estes dois pontos). Quando escolher o segundo ponto, será aberta uma janela de diálogo na qual terá de introduzir a distância conhecida no campo de dimensão real. A aplicação irá calcular automaticamente a ampliação da imagem. Clique em OK para fechar a caixa de diálogo. A ampliação calculada será apresentada no campo de ampliação.

Nota: os pontos escolhidos devem formar uma linha horizontal.

Pode verificar os resultados da calibração, medindo a mesma distância com a ferramenta de linha reta. Clique no ícone de medições, escolha a ferramenta de linha reta e desenhe uma linha semelhante na imagem. Se a distância medida for igual à distância real, a calibração foi bem sucedida.

Recalibração

O processo de calibração tem de ser repetido, se a ampliação ou o foco tiver sido alterado durante as observações.

Clique novamente no ícone correspondente na barra de ferramentas e seleccione Reset picture magnification (Repor ampliação da imagem) em Reset magnification (Repor ampliação). Repita o processo de calibração, conforme descrito acima. Altere a ampliação e capture algumas imagens. Clique duas vezes numa das miniaturas para abrir a imagem resultante numa janela de pré-visualização. Clique no ícone de calibração na barra de ferramentas e seleccione Set picture magnification (Definir ampliação de imagem) em Set magnification (Definir ampliação). Introduza a ampliação atual na janela de diálogo apresentada e clique em OK.

Se pretender utilizar a mesma ampliação ao capturar imagens no futuro, clique no ícone de calibração na barra de ferramentas e selecione Set capture magnification (Definir ampliação da captura) em Set magnification (Definir ampliação).

Medições

Recomenda-se calibrar o sistema antes de continuar com as medições.

Linha reta. Prima e mantenha premido o botão esquerdo do rato para começar a desenhar uma linha. Liberte o botão esquerdo do rato para concluir a linha.

Linha contínua. Prima e mantenha premido o botão esquerdo do rato e desenhe uma linha. Liberte o botão esquerdo do rato para concluir o segmento. Pode continuar a adicionar mais segmentos à linha de forma livre.

Raio do círculo. Desenhe uma linha reta na imagem. A aplicação calculará automaticamente o raio, bem como a circunferência e a área do círculo correspondente.

Diâmetro do círculo. Desenhe uma linha reta na imagem. A aplicação calculará automaticamente o diâmetro, bem como a circunferência e a área do círculo correspondente.

Ângulo de três pontos. Prima e mantenha premido o botão esquerdo do rato para desenhar uma linha na imagem. Liberte o botão esquerdo do rato e desenhe outra linha. A aplicação calculará automaticamente o valor do ângulo resultante.

Desenho e texto

O PortableCapture permite adicionar desenhos e caixas de texto às suas imagens. Abra uma imagem numa janela de pré-visualização e clique no ícone do lápis na barra de ferramentas. Selecione uma das ferramentas no menu pendente e desenhe algo na imagem. Ao clicar no ícone TT na barra de ferramentas, pode editar o tipo de letra e a cor a utilizar nas caixas de texto.

Especificações

Ecrã LCD	4"
Material ótico	vidro ótico
Megapixels	5
Ampliação	10—300x
Fotografia	*.jpg
Vídeo	*.avi
Foco	manual, 0—100 mm
Velocidade	30fps
Iluminação	sistema de 8 LED com ajuste de brilho
Material do corpo	plástico
Fonte de alimentação	5 V CD através do cabo USB ou bateria de íões de lítio 3,7 V, 1050 mAh horário de funcionamento: 2,5 horas; tempo de carregamento: 4 horas
Software	software de processamento de imagem e vídeo com função de medição
Idioma do software	inglês, alemão, francês, espanhol, russo, japonês, chinês, etc.
Capacidade de ligar equipamento adicional	suporte de cartões MicroSD com capacidade de até 32 GB (não incluído no kit) ligar ao PC através do cabo USB (incluído) ligar à TV através do cabo de AV (incluído)
Intervalo de temperaturas de funcionamento	-10... +65 °C

O fabricante se reserva no direito de fazer alterações na variedade e nas especificações dos produtos sem notificação prévia.

Requisitos do sistema

Sistema operativo: Windows 7/8/10, Mac 10.14 e superior
CPU: pelo menos P2 1 GHz ou superior, RAM: 512 MB, placa de vídeo: 512 MB
Interface: USB 2.0, unidade de CD, qualquer monitor com entrada de AV

Cuidado e manutenção

Nunca, em qualquer circunstância, olhe diretamente para o Sol, ou para outra fonte de luz intensa, ou para um laser através deste dispositivo, pois isso pode causar DANOS PERMANENTES À RETINA e pode levar à CEGUEIRA.

Tome as precauções necessárias quando usar o dispositivo com crianças, ou com outras pessoas que não leram, ou não compreenderam totalmente estas instruções. Após desembalar o microscópio e antes de utilizá-lo pela primeira vez, verifique a integridade e a durabilidade de todos os componentes e ligações. Não tente desmontar o dispositivo por conta própria por qualquer motivo. Para fazer reparações e limpezas de qualquer tipo, entre em contato com o centro local de serviços especializados. Proteja o dispositivo de impactos súbitos e de força mecânica excessiva. Não aplique pressão excessiva quando estiver ajustando o foco. Não aperte demasiado os parafusos de bloqueio. Não toque nas superfícies ópticas com seus dedos. Para limpar o exterior do dispositivo, use apenas lenços especiais para limpeza e ferramentas especiais de limpeza óptica da Levenhuk. Não utilize fluidos corrosivos, nem baseados em acetona para limpar as partes

ópticas. Partículas abrasivas, como areia, não devem ser removidas com um pano. Em vez disso, sobre-as, ou retire-as com um pincel suave. Não use o dispositivo por períodos de tempo muito longos, nem o deixe abandonado sob a luz direta do Sol. Mantenha longe de água e alta umidade. Tenha cuidado durante as suas observações, substitua sempre a capa protetora antipoeira quando concluir as observações de modo a proteger o equipamento contra poeiras e manchas. Se não utilizar o microscópio durante muito tempo, guarde as objetivas e os oculares separadamente do microscópio. Guarde o dispositivo em um local seco e fresco, longe de ácidos perigosos e outros produtos químicos, de aquecedores, de fogo e de outras fontes de altas temperaturas. Ao utilizar o microscópio, não o faça próximo de materiais ou substâncias inflamáveis (benzeno, papel, cartão, plástico, etc.), uma vez que a base pode aquecer durante o uso e provocar um incêndio. Desligue sempre o microscópio de uma fonte de alimentação antes de abrir a base ou mudar de lâmpada de iluminação. Independentemente do tipo de lâmpada (halogéneo ou incandescente), deixe arrefecer durante algum tempo antes de a substituir por uma lâmpada do mesmo tipo. Utilize sempre a fonte de alimentação com uma tensão adequada, isto é, indicada nas especificações do novo microscópio. A ligação do equipamento a uma tomada diferente pode danificar o circuito elétrico do microscópio, fundir a lâmpada ou provocar um curto-circuito. **As crianças só devem usar o microscópio sob a supervisão de um adulto. Procure um médico imediatamente se uma peça pequena ou uma pilha for engolida.**

Instruções de segurança para pilhas

Compre sempre baterias do tamanho e grau mais adequados para o uso pretendido. Substitua sempre o conjunto de baterias de uma só vez; tome cuidado para não misturar baterias antigas com novas, ou baterias de tipos diferentes. Limpe os contactos da bateria, e também os do dispositivo, antes da instalação da bateria. Certifique-se de que as baterias estão instaladas corretamente no que respeita à sua polaridade (+ e -). Remova as baterias do equipamento se este não for ser usado por um período prolongado de tempo. Remova as baterias usadas prontamente. Nunca coloque as baterias em curto-circuito, pois isso pode causar altas temperaturas, derrame ou explosão. Nunca aqueça as baterias com o intuito de as reanimar. Não desmonte as baterias. Lembre-se de desligar os dispositivos após a utilização. Mantenha as baterias fora do alcance das crianças, para evitar o risco de ingestão, sufocação ou envenenamento. Use as baterias da forma prescrita pelas leis do seu país.

Garantia Levenhuk

Os produtos ópticos Levenhuk estão abrangidos por uma garantia de **2 anos** contra defeitos de material e de fabrico. Todos os acessórios Levenhuk têm a garantia de isenção de defeitos de material e de fabrico durante **2 anos** a partir da data de compra a retalho. A garantia inclui o direito à reparação ou substituição gratuita do produto Levenhuk em qualquer país que tenha uma filial da Levenhuk, caso estejam reunidas todas as condições da garantia.

Para mais detalhes, visite o nosso web site: www.levenhuk.eu/warranty
Se surgirem problemas relacionados à garantia ou se for necessária assistência no uso do produto, contate a filial local da Levenhuk.

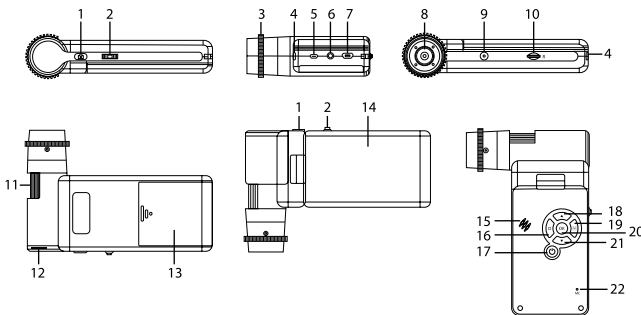
Discovery Artisan 1024

Цифровой микроскоп

RU

Устройство микроскопа

- 1 Кнопка спуска затвора
- 2 Колесо регулировки увеличения
- 3 Кольцо поляризации
- 4 Индикатор заряда батареи
- 5 HDMI-разъем
- 6 AV-разъем
- 7 Разъем USB/кабеля питания
- 8 Объектив
- 9 Фиксатор 1/4"
- 10 Разъем для карты microSD
- 11 Колесо фокусировки
- 12 Регулятор яркости освещения
- 13 Батарейный отсек
- 14 ЖК-экран с диагональю 4"
- 15 Динамик
- 16 Кнопка «Настройки»
- 17 Кнопка вкл./выкл. питания
- 18 Кнопка «Вверх»
- 19 Кнопка «Фото/Видео/Просмотр»
- 20 Кнопка «ОК»
- 21 Кнопка «Вниз»
- 22 Микрофон



Комплект поставки: цифровой микроскоп, штатив, аккумулятор, USB-кабель, AV-кабель, адаптер питания, компакт-диск с программным обеспечением, инструкция по эксплуатации и гарантийный талон.

Никогда не смотрите в прибор на Солнце, на источник яркого света и лазерного излучения — ЭТО ОПАСНО ДЛЯ ЗРЕНИЯ И МОЖЕТ ПРИВЕСТИ К СЛЕПОТЕ!

Сборка микроскопа

Откройте батарейный отсек и вставьте аккумулятор, соблюдая полярность, указанную внутри батарейного отсека. Перед тем как использовать микроскоп, необходимо зарядить аккумулятор. Для этого вставьте кабель питания в соответствующий разъем на корпусе микроскопа (7) и подключите его к источнику питания. Индикатор заряда батареи (4) загорится красным. Когда аккумулятор полностью зарядится, индикатор погаснет. После этого можно отключить микроскоп от источника питания. Полный заряд аккумулятора позволит вам использовать микроскоп в течение двух с половиной часов непрерывной работы. Резкое уменьшение яркости системы освещения и качества изображения означает, что заряд аккумулятора заканчивается.

Для создания снимков и видеороликов потребуется карта microSD (не входит в комплект поставки). Выключите микроскоп и вставьте карту microSD в соответствующий разъем на корпусе микроскопа до щелчка. Не прикладывайте излишних усилий, чтобы не повредить микроскоп или карту microSD. Если у вас не получается вставить карту, убедитесь, что она расположена верно. Перед использованием карты потребуется отформатировать ее. Для включения микроскопа откройте крышку дисплея (микроскоп включится автоматически) или нажав кнопку включения (17). Для выключения микроскопа закройте крышку дисплея или нажмите кнопку включения (17) повторно (см. также раздел «Энергосбережение»).

Значки основного интерфейса

- | | | | |
|------------|-----------------------------|---------------|--|
| | Сделать снимок | | Начать/остановить запись видео |
| | Просмотр фотографий и видео | 001618 | Количество снимков, которые можно сделать (в зависимости от выбранного разрешения) |
| 12M | Выбранное разрешение | | Индикатор установки карты microSD |
| | Индикатор заряда батареи | | |

Примечание: значки основного интерфейса автоматически скрываются, если ни одна клавиша не нажималась или не удерживалась в течение 10 секунд.

Как сделать снимок

Включите микроскоп и направьте его на интересующий вас объект. Убедитесь, что крышка дисплея полностью раскрыта. Отрегулируйте яркость системы освещения так, чтобы объект был равномерно освещен. Настройте резкость изображения, вращая колесо фокусировки. Достигнув необходимого увеличения и резкости изображения, нажмите спусковую кнопку затвора (1).

Как записать видеоролик

Нажмите кнопку «Фото/Видео/Просмотр» (19), чтобы перейти в режим видео. Значок в левом верхнем углу дисплея изменится в подтверждение перехода. Нажмите кнопку спуска затвора (1), чтобы начать запись. Нажмите кнопку повторно, чтобы остановить запись.

Просмотр фотографий и видеозаписей

Нажмите кнопку «Фото/Видео/Просмотр» (19), чтобы перейти в режим просмотра. Значок в левом верхнем углу дисплея изменится в подтверждение перехода. Выберите интересующее вас фото или видеоролик, используя кнопки «Вверх» (18) и «Вниз» (21). Нажмите кнопку ОК (20), чтобы начать просмотр.

Как удалить документ

Во время просмотра сохраненных документов нажмите кнопку «Настройка» (16), выберите пункт Delete... и подтвердите выбор, нажав кнопку ОК (20). В появившемся меню можно удалить выбранный документ или все существующие документы.

Как защитить документ от удаления

Во время просмотра сохраненных документов нажмите кнопку «Настройка» (16), выберите пункт Protect и подтвердите выбор, нажав кнопку ОК (20). В появившемся меню можно защитить выбранный документ или все существующие документы.

Увеличение

Воспользуйтесь колесом регулировки увеличения (2), чтобы изменить действующее увеличение.

Поляризационный фильтр

Вы можете использовать встроенный поляризационный фильтр, чтобы минимизировать отражение света при наблюдении предметов с блестящей поверхностью, например, металлов или кристаллов. Поверните кольцо поляризации (3) на 90 градусов, чтобы включить или отключить эффект поляризации.

Сохранение фотографий и видеозаписей на компьютер

Вставьте карту microSD в разъем. Соедините микроскоп с компьютером при помощи USB-кабеля. Теперь вы можете перенести данные на компьютер.

Просмотр на компьютере

Функция доступна только при установленном программном обеспечении (входит в комплект). Извлеките карту microSD из слота. Соедините микроскоп с компьютером при помощи USB-кабеля.

Как подключить микроскоп к телевизору

Вставьте видеокабель в соответствующий разъем на корпусе микроскопа и подключите его к телевизору (RCA-штекер кабеля следует подключить к желтому AV-разъему телевизора). Включите телевизор и выберите необходимый источник сигнала в соответствующем меню телевизора (процесс подключения внешних устройств к телевизору подробно описан в инструкции по эксплуатации телевизора).

Установка на штатив

Поставьте штатив на ровную поверхность. Установите микроскоп на штатив, накрутив его на металлический стержень с резьбой.

Не прилагайте излишних усилий, чтобы не повредить микроскоп или штатив. При необходимости можно отрегулировать высоту штатива.

Меню ЖК-экрана

Нажмите кнопку «Настройка» (16), чтобы открыть главное меню цифрового микроскопа. В этом меню можно настроить разрешение, язык системы, режим энергосбережения, телевизионный сигнал, дату и время, а также отформатировать карту microSD, сбросить настройки и посмотреть версию прошивки. Кроме того, можно выбрать режим циклической записи видео и установить метку даты/времени на снимках.

Разрешение

В меню перейдите в раздел Разрешение (Resolution), а затем выберите необходимое разрешение фото или видео при помощи кнопки Вниз (Down) (21). Нажмите кнопку ОК (20), чтобы подтвердить выбор.

Примечание: доступны следующие разрешения: фото: 12M, 10M, 8M, 5M, 3M; видео: 1080P, 720P.

Автоматическая съемка

В режиме фотосъемки нажмите кнопку «Настройка» (16) и выберите в меню раздел Capture mode (Автоматическая съемка), чтобы установить интервал между фотографиями. Например, при установленном интервале в 5 секунд, микроскоп будет делать фото каждые 5 секунд.

Циклическая запись видео

В режиме записи видео, нажмите кнопку «Настройка» (16) и выберите в меню раздел Loop recording (Циклическая запись видео). Вы можете выбрать продолжительность видеоролика или отключить режим циклической записи. В этом режиме каждое видео заданной продолжительности будет записываться поверх предыдущего.

Отображение даты и времени

В главном меню перейдите в раздел Метка даты (Date Stamp) и выберите один из существующих вариантов.

Дата и время

В главном меню при помощи кнопки Вниз (Down) (21) перейдите в раздел Дата/Время (Date/Time) и настройте дату и время.

Телевизионный сигнал

В главном меню перейдите в раздел Телевизионный сигнал (TV Mode) и выберите нужный вариант (NTSC или PAL), соответствующий модели вашего телевизора. Подтвердите выбор, нажав кнопку ОК (20).

Режим энергосбережения

В главном меню перейдите в раздел Автоотключение (Auto Power Off) и установите максимальное время бездействия, через которое микроскоп автоматически отключится. Подтвердите установку, нажав кнопку ОК (20).

Сброс настроек

В главном меню перейдите в раздел Заводские настройки (Default Setting), чтобы вернуться к заводским настройкам приложения.

Язык

В главном меню перейдите в раздел Язык (Language) и выберите один из существующих вариантов. Подтвердите выбор, нажав кнопку OK (20).

Форматирование карты

В главном меню перейдите в раздел Форматирование карты microSD (Format SD), чтобы отформатировать карту microSD. После форматирования карты все файлы будут удалены. Обычно форматирование карты не требуется, если на ней хватает места для сохранения сделанных снимков.

Работа с PortableCapture

Вставьте установочный диск в дисковод. Откройте папку в соответствии с операционной системой вашего устройства. Дважды кликните по установочному файлу; откроется мастер установки, который поможет вам установить приложение. Вы также можете прочесть инструкцию по эксплуатации, перейдя в папку User Manual (Инструкция по эксплуатации) на установочном компакт-диске. Подключите микроскоп к компьютеру через USB-кабель и запустите приложение PortableCapture. Если микроскоп не подключен к компьютеру, при запуске приложения появится соответствующее предупреждение.

Интерфейс приложения



Сделать снимок



Начать или приостановить запись видеоролика



Автоматическая съемка: укажите время начала съемки, интервал и общее количество снимков или видеороликов



Полноэкранный режим. Для выхода из полноэкранного режима нажмите клавишу Esc или дважды щелкните левой кнопкой мыши в любом месте экрана

Файл

Папка Фото: выберите папку для сохранения снимков.

Папка Видео: выберите папку для сохранения видеороликов.

Настройка

Разрешение: выберите разрешение снимков.

Дата/Время: отображение даты и времени во время предпросмотра.

Языковые настройки: выберите язык интерфейса.

Сетка: отображение сетки во время работы с приложением.

Полноэкранный режим: полноэкранный режим.

Съемка

Фото: сделать снимок.

Видео: записать видеоролик.

Как сделать снимок

Нажмите соответствующую кнопку на панели управления или выберите пункт Фото в меню Съемка.

Как записать видео

Нажмите соответствующую кнопку на панели управления или выберите пункт Видео в меню Съемка.

Автоматическая съемка

Нажмите соответствующую кнопку на панели управления. В появившемся диалоговом окне можно настроить параметры автоматической фото- или видеосъемки. В разделе Фото можно установить время начала автоматической съемки, указать интервал съемки и общее количество снимков. В разделе Видео можно установить время начала автоматической съемки, указать продолжительность видеороликов, интервал съемки и общее количество видеороликов.



Сохранить как



Копировать в буфер обмена



Копировать файл



Предыдущее изображение



Следующее изображение



Отменить последнее действие



Повторить последнее действие



Рисунок



Текст



Измерение



Калибровка

Калибровка

Для включения визирной сетки выберите пункт Вкл в разделе Сетка меню Настройки. По умолчанию визирная сетка включена. Визирная сетка поможет вам при работе со шкалой калибровки. Наведите микроскоп на шкалу калибровки и отрегулируйте резкость изображения. Убедитесь, что вертикальная ось визирной сетки параллельна линиям на шкале, и сделайте снимок. Дважды щелкните левой кнопкой мыши полученное изображение, чтобы открыть окно предварительного просмотра.

Нажмите соответствующую кнопку на панели инструментов, чтобы приступить к калибровке. При помощи мыши выберите две точки на изображении, расстояние между которыми вам известно. После выбора второй точки откроется диалоговое окно. Введите фактическое расстояние между двумя точками в разделе Реальный размер. Программа автоматически вычислит масштаб увеличения. Нажмите OK, чтобы закрыть диалоговое окно. После этого в разделе Масштаб появится вычисленный масштаб.

Примечание: проведенная линия должна быть горизонтальной.

Проверьте результат калибровки, измерив то же расстояние при помощи инструмента Прямая. Для этого нажмите кнопку измерений и выберите пункт Прямая. Если измеренное расстояние совпадает с фактическим, калибровка выполнена успешно.

Повторная калибровка

Если в процессе работы вы изменили увеличение и заново настроили резкость изображения, вам придется повторить процесс калибровки.

Для этого нажмите соответствующую кнопку на панели управления в окне предварительного просмотра и выберите пункт Сбросить масштаб изображения в разделе Сбросить масштаб. После этого вы сможете повторить процесс калибровки (см. раздел «Калибровка»). Измените увеличение и сделайте несколько снимков. Откройте одно из полученных изображений в режиме предварительного просмотра, нажмите кнопку калибровки на панели инструментов и выберите пункт Установить масштаб изображения в разделе Установить масштаб. В появившемся диалоговом окне введите масштаб увеличения и нажмите ОК.

Если вы хотите использовать аналогичное увеличение при создании снимков, нажмите кнопку калибровки на панели инструментов и выберите пункт Установить масштаб съемки в разделе Установить масштаб. После этого все изображения будут создаваться с указанным увеличением.

Измерение

Перед измерениями рекомендуется произвести калибровку системы.

Прямая. Нажмите левую кнопку мыши в начальной точке и проведите линию. Отпустите левую кнопку мыши в конечной точке.

Непрерывная линия. При помощи этого инструмента можно измерить длину нарисованной вами кривой линии.

Радиус окружности. Проведите прямую линию, соответствующую радиусу круга. Программа рассчитает радиус, а также длину и площадь окружности.

Диаметр окружности. Проведите прямую линию, соответствующую диаметру круга. Программа рассчитает диаметр, а также длину и площадь окружности.

Угол по трем точкам. Выберите любые три точки на изображении при помощи мыши. Программа рассчитает величину угла.

Рисунок и текст

При помощи приложения PortableCapture вы можете добавлять рисунки или тексты на созданные изображения. При нажатии кнопки с изображением карандаша на панели управления в окне предварительного просмотра появится выпадающее меню. В нем можно выбрать любой из существующих инструментов для создания рисунков, а также настроить некоторые параметры. При нажатии кнопки с изображением двух букв «Т» на панели управления в окне предварительного просмотра появится выпадающее меню, в котором вы можете настроить шрифт и цвет надписи.

Технические характеристики

ЖК-экран	4"
Материал оптики	оптическое стекло
Число мегапикселей	5
Увеличение	10—300x
Фото	*.jpg
Видео	*.avi
Фокусировка	ручная, в пределах от 0 до 100 мм
Кадровая частота	30 кадр./сек.
Источник освещения	8 светодиодов с регулируемой яркостью системы
Корпус	пластик
Питание	5 В постоянного тока через кабель USB; Li-ion аккумулятор 3,7 В/1050 мА·ч время работы: 2,5 часа, время зарядки: 4 часа
ПО, драйверы	ПО для захвата и редактирования фото и видео, с функцией измерения объектов
Язык ПО	английский, немецкий, испанский, русский, французский, японский, китайский, и т. д.
Возможность подключения другого оборудования	поддержка карт памяти microSD до 32 Гб (в комплекте не входит) подключение к компьютеру USB-кабель (в комплекте) подключение к телевизору/монитору через AV-кабель (в комплекте)
Диапазон рабочих температур	–10... +65 °C

Производитель оставляет за собой право вносить любые изменения или прекращать производство изделия без предварительного уведомления.

Требования к системе

Операционная система Windows 7/8/10, Mac 10.14 и выше
ЦПУ от P2 1 ГГц и выше, ОЗУ от 512 МБ, видеокарта от 512 МБ
Интерфейс: разъем USB 2.0, CD-ROM, монитор/телевизор с разъемом AV

Уход и хранение

Никогда не смотрите в прибор на Солнце, на источник яркого света и лазерного излучения — ЭТО ОПАСНО ДЛЯ ЗРЕНИЯ И МОЖЕТ ПРИВЕСТИ К СЛЕПОТЕ! Будьте внимательны, если пользуетесь прибором вместе с детьми или людьми, не знакомыми с инструкцией. После вскрытия упаковки и установки микроскопа проверьте каждый компонент. Не разбирайте прибор. Сервисные и ремонтные работы могут проводиться только в специализированном сервисном центре. Оберегайте прибор от резких ударов и чрезмерных механических воздействий. Не прикладывайте чрезмерных усилий при настройке фокуса. Не затягивайте стопорные и фиксирующие винты слишком туго. Не касайтесь пальцами поверхностей линз. Для внешней очистки прибора используйте специальную салфетку и специальные чистящие средства Levenhuk для чистки оптики. Не используйте для чистки средства с абразивными или коррозионными свойствами и жидкости на основе ацетона. Абразивные частицы (например, песок) следует не стирать, а дуть или смывать мягкой кисточкой. Не подвергайте прибор длительному воздействию

прямых солнечных лучей. Не используйте прибор в условиях повышенной влажности и не погружайте его в воду. Работайте с микроскопом аккуратно, надевайте на него пылезащитный чехол после работы, чтобы защитить его от пыли и масляных пятен. Если объективы и окуляры не используются долгое время, храните их упакованными в сухую коробку, отдельно от микроскопа. Храните прибор в сухом прохладном месте, недоступном для воздействия кислот или других активных химических веществ, вдали от отопителей (бытовых, автомобильных) и от открытого огня и других источников высоких температур. Не используйте микроскоп рядом с воспламеняемыми материалами, так как основание микроскопа может нагреться во время работы. Всегда отключайте микроскоп от электросети, прежде чем открывать батарейный отсек или менять лампу подсветки. Перед заменой лампы дайте ей остыть и всегда меняйте ее на лампу того же типа. Используйте источник питания, соответствующий напряжению сети, иначе может сгореть лампа, могут произойти повреждение электросхемы микроскопа или короткое замыкание. **Дети могут пользоваться прибором только под присмотром взрослых. Если деталь прибора или элемент питания были проглочены, срочно обратитесь за медицинской помощью.**

Использование элементов питания

Всегда используйте элементы питания подходящего размера и соответствующего типа. При необходимости замены элементов питания меняйте сразу весь комплект, не смешивайте старые и новые элементы питания и не используйте элементы питания разных типов одновременно. Перед установкой элементов питания очистите контакты элементов и контакты в корпусе прибора. Устанавливайте элементы питания в соответствии с указанной полярностью (+ и -). Если прибор не используется длительное время, следует вынуть из него элементы питания. Оперативно вынимайте из прибора использованные элементы питания. Никогда не закорачивайте полюса элементов питания — это может привести к их перегреву, протечке или взрыву. Не пытайтесь нагревать элементы питания, чтобы восстановить их работоспособность. Не разбирайте элементы питания. Выключайте прибор после использования. Храните элементы питания в недоступном для детей месте, чтобы избежать риска их проглатывания, удушья или отравления. Утилизируйте использованные батарейки в соответствии с предписаниями закона.

Гарантия Levenhuk

Компания Levenhuk гарантирует отсутствие дефектов в материалах конструкции и дефектов изготовления изделий. Продавец гарантирует соответствие качества приобретенных вами изделий компании Levenhuk требованиям технической документации при соблюдении потребителем условий и правил транспортировки, хранения и эксплуатации изделия. Срок гарантии: на аксессуары **6 (шесть) месяцев** со дня покупки, на остальные изделия гарантия действует **2 (два) года**. Гарантия позволяет бесплатно отремонтировать или обменять продукт Levenhuk, подпадающий под условия гарантии, в любой стране, где есть офис Levenhuk.

Подробнее об условиях гарантийного обслуживания см. на сайте www.levenhuk.ru/support

По вопросам гарантийного обслуживания вы можете обратиться в ближайшее представительство компании Levenhuk.

Discovery

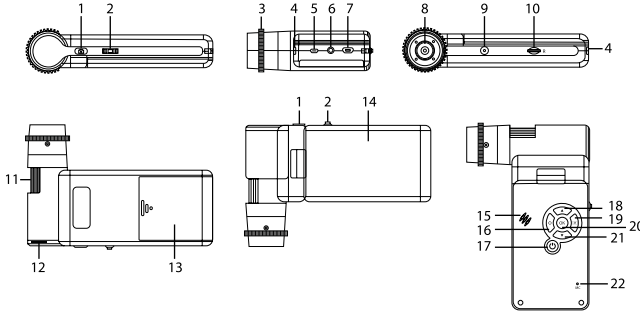
Artisan 1024

Dijital Mikroskop

TR

Mikroskop parçaları

- 1 Kayıt
- 2 Yakınlaştırma ayarı tekeri
- 3 Ucaylayıcı teker
- 4 PİL durumu göstergesi
- 5 HDMI çıkışı
- 6 AV çıkışı
- 7 DC: pil şarjı
- 8 USB: bilgisayara çıkış
- 9 Objektif merceği
- 9 1/4" vida
- 10 MicroSD yuvası
- 11 Odak tekeri
- 12 Parlaklık ayarı tekeri
- 13 PİL bölmesi
- 14 4" renkli LCD ekran
- 15 Hopartör
- 16 Kurulum
- 17 Güç açma/kapama
- 18 YUKARI
- 19 Fotoğraf/Video/Oynatma
- 20 Tamam (Onayla)
- 21 Aşağı
- 22 Mikrofon



Kit içeriği: mikroskop, üç ayaklı sehpa, yeniden şarj edilebilir pil, USB kablosu, AV kablosu, güç adaptörü, yazılım CD'si, kılıf, kullanıcı kılavuzu ve ömür boyu garanti.

RETİNADA KALICI HASARA neden olabileceğinden ve **KÖRLÜĞE** yol açabileceğinden kesinlikle, hiçbir koşul altında Güneşe, başka bir parlak ışık kaynağına ya da bu cihaz aracılığıyla bir lazere doğrudan bakmayın.

Mikroskop kurulumu

PİL bölümünü açın ve pili gösterilen kutuplarla eşleşecek şekilde pil bölümüne yerleştirin. Mikroskopun ilk çalıştırılmasından önce pil tamamen şarj edilmiş olmalıdır. Güç kablosunu mikroskop gövdesinin üzerindeki güç kablosu soketine takın (7) ve bir güç kaynağına bağlayın. PİL durumu göstergesi kırmızıya (4) döner. PİL tamamen şarj edilince, gösterge kaybolacaktır. Artık güç kaynağından mikroskopun bağlantısını kesebilir ve çalıştırabilirsiniz. Tamamen şarj edilmiş pil mikroskopu 2,5 saat kullanmanızı sağlar. PİL'in düşük seviyede olduğunu size bildirmek için aydınlatma kısılmaya başlar ve görüntü kalitesi düşer. Pili yukarıda açıklandığı gibi değiştirin.

Kaydedilen görüntüleri ve kaydedilen videoları saklamak için bir microSD kart (ayrı olarak satılır) gereklidir. Mikroskopu kapatın ve microSD kartı bir kılıf sesiyle beraber yerine kilitlenene kadar mikroskop gövdesi üzerindeki ilgili yuvasına yerleştirin. microSD kartı yerleştirirken aşırı güç uygulamayın. Yerine kolaylıkla kilitlenmezse, kartı ters çevirmeyi deneyin. Kullanmadan önce kartı biçimlendirin. Mikroskopu çalıştırmak için LCD ekranını açın veya güç düğmesine (17) basın. Mikroskopu kapatmak için LCD ekranı kapatılarak kapatın veya yeniden güç düğmesine (17) basın (daha fazla bilgi için Güç tasarrufu bölümüne bakın).

Ekran simgeleri



Bir görüntüyü kaydedin



Video kaydını başlatın ve durdurun



Oynatma modu

001618

Kaydedilebilen görüntülerin toplam sayısı (mevcut çözünürlüğe bağlı olarak)

12M

Mevcut görüntü çözünürlüğü



MicroSD durum simgesi



PİL durumu göstergesi

Not: Herhangi bir tuşa 10 saniye basılı tutulmadığı takdirde arayüz simgeleri gizlenecektir.

Bir görüntüyü kaydetme

Mikroskopu çalıştırın ve bir objeye doğrultun. LCD ekranın tamamen açık olduğundan emin olun. Aydınlatma parlaklığını ayarlayın, böylece örnek eşit oranda aydınlanır. Büyütme ayarını değiştirin, ardından görüşünüzü odaklayın ve bir görüntü yakalamak için capture (kayıt) düğmesine (1) basın.

Video kaydı

Video moduna geçmek için Fotoğraf/Video/Oynatma düğmesine (19) basın. Onaylandığı zaman ekranın üst sol köşesindeki simge değişecektir. Kaydı başlatmak için Capture (Kayıt) düğmesine (1) basın ve durdurmak için yeniden basın.

Oynatma

Oynatma moduna geçmek için Fotoğraf/Video/Oynatma düğmesine (19) basın. Onaylandığı zaman ekranın üst sol köşesindeki simge değişecektir. UP (Yukarı) (18) ve DOWN (Aşağı) (21) düğmeleri ile istenilen fotoğrafı veya video klipini seçin ve oynatmak için OK (Tamam) (20) seçeneğine basın.

Dosya silme

Kaydedilen dosyalara göz atarken, Setup (Kurulum) düğmesine (16) basın, Delete (Sil) seçeneğini seçin, seçimi onaylamak için OK (Tamam) (20) seçeneğine basın (görüntülenen menüden her şeyi sil ya da yalnızca seçilen dosyayı sil seçeneklerini seçebilirsiniz).

Dosya koruma

Kaydedilen dosyalara göz atarken, Setup (Kurulum) düğmesine (16) basın, Protect (Koru) seçeneğini seçin, seçimi onaylamak için OK (Tamam) (20) seçeneğine basın (görüntülenen menüden her şeyi koru ya da yalnızca seçilen dosyayı koru seçeneklerini seçebilirsiniz).

Yakınlaştırma

Görüşünüzü yakınlaştırmak veya uzaklaştırmak için yakınlaştırma ayarı tekerini (2) kaydırın.

Ucaylayıcı filtre

Metal, kristaller gibi parlak yüzeyli nesnelere gözlemlerden ışık yansımaları azaltmak için bir ucaylayıcı filtre kullanabilirsiniz. Ucaylayıcı etkiyi etkinleştirmek veya devre dışı bırakmak için ucaylayıcı tekeri (3) 90 derece döndürün.

Bilgisayarda Toplu Depolama

Yuvaya bir microSD kartı yerleştirin. Karttan bilgisayarınıza görüntüler indirmek için mikroskobu USB kablo su ile bilgisayarınıza bağlayın.

Bilgisayarda Önizleme

Yalnızca yüklü yazılım ile çalışır. MicroSD kartı yuvadan çıkartın. Mikroskobu USB kablo su ile bilgisayarınıza bağlayın.

Mikroskobu bir TV setine bağlamak

AV kablo sunu mikroskoba takın ve TV setinize bağlayın (ek bilgi için TV setinizin Kullanıcı Kılavuzuna bakın). TV'yi açın ve TV setininin ilgili menüsünden doğru kanalı seçin (ek bilgi için TV setinizin Kullanıcı Kılavuzuna bakın).

Üç ayaklı sehpanın takılması

Üç ayaklı sehpayı sabit bir yüzeye yerleştirin. Üç ayaklı sehpayı mikroskop üzerindeki dişli deliğe (9) bağlayın ve yerine kilitlenene kadar mikroskobu döndürün. Mikroskop ve üç ayaklı sehpayı hasar verebileceği için mikroskobu döndürürken aşırı baskı uygulamayın. Gerekirse üç ayaklı sehpa yüksekliği ayarlanabilir.

Ekran menüsü

Ana ekran menüsünü açmak için Setup (Kurulum) düğmesine (16) basın. Bu menüden görüntü ve video çözünürlüğünü, arayüz dilini, tarih ve saati ayarlayabilir, güç tasarrufu modunu açabilir, TV bağlantısını ayarlayabilir SD kartı biçimlendirebilir, ayarları sıfırlayabilir ve donanım sürümünü kontrol edebilirsiniz. Ayrıca, bu menü Döngü kaydı moduna ve Tarih Damgası seçeneğine erişim sunar.

Çözünürlük

Ana menüden görüntü veya video çözünürlüğünü seçin ve Aşağı düğmesine (21) basarak gerekli çözünürlüğü seçtikten sonra OK (Tamam) düğmesine (20) basarak onaylayın.

Not: Bu model aşağıdaki görüntü çözünürlüklerini destekler: 12M, 10M, 8M, 5M, 3M; video çözünürlükleri: 1080P, 720P.

Kayıt modu

Fotoğraf modunda, Setup (Kurulum) düğmesine (16) basın ve aralıklı kayıt kurulumu için Kayıt modunu seçin. Örneğin; mikroskobu 5 saniyede bir fotoğraf çekecek şekilde ayarlayabilirsiniz.

Döngü kaydı

Video modunda Setup (Kurulum) düğmesine (16) basın ve Döngü kaydı modunu seçin. Video klipin süresini seçebilir veya Döngü kaydı modunu kapatabilirsiniz. Döngü kaydı modu açıkken seçili süredeki her video klip öncekinin üzerine kaydedilecektir.

Tarih Damgası

Ana menüden Tarih Damgasını seçin ve ardından bir hedef seçenek seçin.

Tarih ve saat

Ana menüden Aşağı düğmesi (21) ile Date/Time (Tarih/Saat) seçeneğini seçin ve mevcut tarih ve saati ayarlayın.

TV bağlantısı

Ana menüden TV Modunu seçin ve ardından NTSC ile PAL arasında TV'nizi ile uyumlu olan doğru modu seçin. Seçimi onaylamak için OK (Tamam) düğmesine (20) basın.

Güç tasarrufu

Ana menüden Auto Power Off (Otomatik Güç Kapatma) seçeneğini seçin ve mikroskop otomatik olarak kapanmadan önce boşa kalma süresini belirleyin. Seçimi onaylamak için OK (Tamam) düğmesine (20) basın.

Ayarların sıfırlanması

Ana menüden Default Setting (Varsayılan Ayar) seçeneğini seçerek fabrika ayarlarına geri dönün.

Dil

Ana menüden Language (Dil) seçeneğini ve ardından mevcut ayarlardan birini seçin. Seçimi onaylamak için OK (Tamam) düğmesine (20) basın.

MicroSD kart biçimlendirmesi

Yüklenen hafıza kartını biçimlendirmek için ana menüden Format SD (SD kartı biçimlendir) seçeneğini seçin. Karttaki tüm dosyalar, kart biçimlendirmesi sonrasında silinecektir. Kartınız kaydedilen görüntüyü depolayabilecek durumda değilse, normalde kart biçimlendirme gerekli değildir.

Portable Capture yazılımı

Kurulum CD'sini CD sürücünüze yerleştirin. Cihazınızın işletim sistemine göre klasörü seçin. Uygulamayı yüklemek için kurulum dosyasına çift tıklayın ve ekrandaki talimatları izleyin. Kurulum CD'si, Kullanıcı Kılavuzu klasöründe bulabileceğiniz kullanma kılavuzunun bir kopyasını içerir.

Mikroskobu bir USB kablo su ile bilgisayarınıza baęlayın ve PortableCapture uygulamasını çalıştırın. Mikroskobun bilgisayara baęlı olmaması durumunda bir açılır mesaj sizi uyaracaktır.

Uygulama menüsü



Bir görüntüyü kaydedin



Video kaydını başlatın ve durdurun



Aralık kaydı (görüntülerin veya videoların kaydedilmeye başlanacağı saati, bunlar arasındaki süreyi, video süresini ve kaydedilecek görüntü ve video sayısını belirleyebilirsiniz)



Tam ekran modu. Tam ekran modundan çıkmak için klavyenizdeki **Escape** (Çıkışı) tuşuna basın veya ekrandaki herhangi bir noktaya çift tıklayın

File (Dosya)

Photos Folder (Fotoğraf Klasörü): kaydedilen görüntüler için bir dizin belirleyin.
Videos Folder (Video Klasörü): kaydedilen videolar için bir dizin belirleyin.

Options (Seçenekler)

Resolution (Çözünürlük): görüntü çözünürlüğünü ayarlayın.

Date/Time (Tarih/Saat): önizleme sırasında kayıdın tarih ve saatini görüntüleyin veya gizleyin.

Language (Dil): kullanıcı arayüzünün dilini değiştirin.

XY Guide (XY Kılavuz): görüntüler üzerinde bir kılavuzu gizleyin veya görüntüleyin.

Full screen mode (Tam ekran modu): tam ekrana geçiş yapın.

Capture (Kayıt)

Photo (Fotoğraf): bir fotoğraf kaydedin.

Video: bir video kaydedin.

Bir görüntüyü kaydetme

Araç çubuğundaki ilgili simgeye tıklayın veya Capture (Kayıt) menüsünden Photo (Fotoğraf) öğesini seçin.

Video kaydı

Araç çubuğunda yer alan ilgili simgeye tıklayın veya Capture (Kayıt) menüsünden Video seçeneğini seçin.

Aralıklı kayıt

Araç çubuğundan ilgili simgeye tıklayın. Aralık kaydı için bir dizi parametreyi ayarlayabileceğiniz bir iletişim kutusu penceresi görüntülenecektir. Görüntülerin kaydedilmeye başlanacağı saati, görüntüler arasındaki süreyi ve toplam görüntü sayısını ayarlamak için Photo (Fotoğraf) seçenek düğmesine tıklayın. Videoların kaydedilmeye başlanacağı saati, süresini, görüntüler arasındaki süreyi ve toplam klip sayısını ayarlamak için Video seçenek düğmesine tıklayın.

Kalibrasyon

Mikroskobu kalibre etmeden önce kılavuz görünümünü açın. Bunu yapmak için Options > XY Guide (Seçenekler > XY Kılavuz) kısmında On (açık) seçeneğini seçin. Varsayılan olarak kılavuz görünür olacaktır. Kalibrasyon ölçeğini lamel yuvası üzerine yerleştirin ve görüşünüzü odaklayın.



Farklı kaydet



Panoya kopyala



Dosyayı kopyala



Önceki görüntü



Sonraki görüntü



Son işlemi geri al



Son işlemi yinele



Çiz



Metin



Ölçüm



Kalibrasyon

Kılavuzun dikey ekseninin ölçek bölümlerine paralel olduğundan emin olun ve bir görüntüyü kaydedin. Aynı bir pencerede açmak için görüntü küçük resmine çift tıklayın.

Kalibrasyona başlamak için araç çubuğunda ilgili simgeye tıklayın. Farenizi kullanarak görüntü üzerinden iki noktayı seçin (bu iki nokta arasındaki gerçek mesafeyi bilmeniz gerekmektedir). İkinci noktayı seçmeniz sonrasında, bilinen mesafeyi Actual dimension (Gerçek boyut) alanına girmeniz gereken bir iletişim penceresi açılacaktır. Uygulama, görüntünün büyütme oranını otomatik olarak hesaplayacaktır. İletişim penceresini kapatmak için OK (Tamam) seçeneğine tıklayın. Hesaplanan büyütme oranı, Magnification (Büyütme oranı) alanında görüntülenecektir.

Not: Seçili noktalar bir yatay çizgi oluşturmalıdır.

Straight line (Düz çizgi) aracı ile aynı mesafeyi ölçerek kalibrasyon sonuçlarını kontrol edebilirsiniz. Ölçüm simgesine tıklayın Straight line (Düz çizgi) aracını seçin ve görüntü üzerine benzer bir çizgi çizin. Ölçülen mesafe gerçek mesafeye eşitse, kalibrasyon başarıyla tamamlanmıştır.

Yeniden Kalibrasyon

Gözlemler sırasında büyütme oranı veya odağın değiştirilmesi durumunda kalibrasyon işleminin yinelenmesi gerekir.

Araç çubuğundaki ilgili simgeye tekrar tıklayın ve Reset magnification (Büyütme oranını sıfırla) kısmından Reset picture magnification (Resim büyütme oranını sıfırla) seçimini yapın. Yukarıda açıklanan şekilde kalibrasyon işlemini yineleyin. Büyütme oranını değiştirin ve birkaç görüntü kaydedin. Sonuç olarak elde edilen görüntüyü bir önizleme penceresinde açmak için küçük resimlerden birine çift tıklayın. Araç çubuğunda kalibrasyon simgesine tıklayın ve Set magnification (Büyütme oranını ayarla) kısmından Set picture magnification (Resim büyütme oranını ayarla) öğesini seçin. Görüntülenen iletişim kutusu penceresinden geçerli büyütme oranını girin ve OK (Tamam) öğesine tıklayın.

İleride görüntüleri kaydederken aynı büyütme oranını kullanmak isterseniz, araç çubuğundaki kalibrasyon simgesine tıklayın ve Set magnification (Büyütme oranını ayarla) bölümünden Set capture magnification (Kayıt büyütme oranını ayarla) seçeneğini seçin.

Ölçümler

Ölçümlere devam etmeden önce sistemin kalibre edilmesi önerilir.

Straight line (Düz çizgi). Bir çizgi çizmeye başlamak için sol fare düğmesine basılı tutun. Çizgiyi tamamlamak için sol fare düğmesini bırakın.

Continuous Line (Sürekli Çizgi). Çizgi çizmek için sol fare düğmesine basın ve basılı tutun. Parçayı tamamlamak için sol fare düğmesini bırakın. Serbest biçim çizgiye daha fazla parça eklemeye devam edebilirsiniz.

Radius Circle (Yarıçap Dairesi). Görüntü üzerine düz bir çizgi çizin. Uygulama yarıçapı ve ilgili dairenin çevresi ile alanını otomatik olarak hesaplayacaktır.

Diameter Circle (Çap Dairesi). Görüntü üzerine düz bir çizgi çizin. Uygulama çapı ve ilgili dairenin çevresi ile alanını otomatik olarak hesaplayacaktır.

Three Points Angle (Üç Noktalı Açı). Görüntü üzerine bir çizgi çizmek için sol fare düğmesine basın ve basılı tutun.

Sol fare düğmesini bırakın ve başka bir çizgi çizin. Uygulama ortaya çıkan açının değerini otomatik olarak hesaplar.

Çiz ve metin

PortableCapture, görüntülerinize çizimler ve metin kutuları ekleyebilmenizi sağlar. Önizleme penceresinde bir görüntüyü açın ve araç çubuğundan Pencil (Kurşun Kalem) simgesine tıklayın. Açılır menüden araçlardan birini seçin ve görüntü üzerine bir şey çizin. Araç çubuğundaki TT simgesine tıklayarak metin kutularında kullanılacak yazı tipini ve rengini düzenleyebilirsiniz.

Teknik Özellikler

LCD ekran	4"
Optik malzemesi	optik cam
Megapiksel	5
Büyütme	10—300x
Fotoğraf	*.jpg
Video	*.avi
Odaklama	manuel, 0—100 mm
Hız	30 fps
Aydınlatma	parlaklık ayarlı 8-LED sistemi
Gövde malzemesi	plastik
Güç kaynağı	USB kabloSu veya lityum-iyon yoluyl 5 V DC giriş: 3,7 V, 1050 mAh çalışma süresi: 2,5 saat; şarj süresi: 4 saat
Yazılım	ölçüm fonksiyonlu görüntü ve video işleme yazılımı
Yazılım dilleri	İngilizce, Almanca, Fransızca, İspanyolca, Rusça, Japonca, Çince vb.
Ek cihaz bağlama özelliği	32 GB'ye kadar kapasiteli microSD kartlar için destek (kite dahil değildir)
Çalışma sıcaklığı aralığı	USB kablo aracılığıyla bilgisayara bağlama (dahil) AV kablo aracılığıyla TV'ye bağlama (dahil) -10... +65 °C

Üretici, ürün serisinde ve teknik özelliklerinde önceden bildirimde bulunmaksızın değişiklik yapma hakkını saklı tutar.

Sistem gereksinimleri

İşletim sistemi: Windows 7/8/10, Mac 10.14 ve üzeri
CPU: en az P2 1 GHz veya üzeri, RAM: 512 MB, Video kartı: 512 MB
Arayüz: USB 2.0, CD sürücüsü, AV girişli bir monitör

Bakım ve onarım

RETİNADA KALICI HASARA neden olabileceğinden ve KÖRLÜĞE yol açabileceğinden kesinlikle, hiçbir koşul altında Güneşe, başka bir partak ışık kaynağına ya da bu cihaz aracılığıyla bir lazere doğrudan bakmayın. Cihazı, bu talimatları okumayan veya tamamen anlamayan çocuklar veya diğer kişiler ile birlikte kullanırken gerekli önlemleri alın. Mikroskobunuzu ambalajından çıkardıktan sonra ve ilk defa kullanmadan önce, her bileşenin ve bağlantının sağlamlığını ve dayanıklılığını kontrol edin. Cihazı herhangi bir sebep için kendi başınıza sökmeye çalışmayın. Her tür onarım ve temizlik için lütfen yerel uzman servis merkeziniz ile iletişime geçin. Cihazı ani darbelere ve aşırı mekanik güçlere karşı koruyun. Odağı ayarlarken aşırı basıncı uygulamayın. Kilitleme vidalarını aşırı sıkımayın. Optik yüzeylere parmaklarınızla dokunmayın. Cihazın dışını temizlemek için, yalnızca Levenhuk'un özel temizleme bezlerini ve özel optik temizleme aletlerini kullanın. Optiği temizlemek için aşındırıcı veya aseton bazlı sıvılar kullanmayın. Kum gibi aşındırıcı parçacıklar lenslerden silerek temizlenmemeli, bunun yerine üfleme veya yumuşak bir fırça ile fırçalanmalıdır. Cihazı uzun süre kullanmayınız veya doğrudan güneş ışığında gözetimsiz bırakmayın. Cihazı su ve yüksek nemden uzak tutun. İncelemeleriniz sırasında dikkatli olun, cihazı toz ve lekelerden korumak için incelemelerinizi bitirdikten sonra toz kapağını daima yenisiyle değiştirin. Mikroskobunuzu uzun süre kullanmıyorsanız, objektif lensleri ve göz merceklelerini mikroskobtan ayrı olarak saklayın. Cihazı tehlikeli asitler ve diğer kimyasallardan, ısıtıcılardan, açık ateşten ve diğer yüksek sıcaklık kaynaklarından uzakta kuru, serin bir yerde saklayın. Mikroskobu kullanırken, taban kullanım sırasında ısınabildiğinden ve bir yangın tehlikesi oluşturabildiğinden, yanıcı malzeme veya maddelerin (benzen, kağıt, karton, plastik vb.) yakınında kullanmamaya çalışın. Tabanı açmadan veya aydınlatma lambasını değiştirmeden önce mikroskobu daima bir güç kaynağından çıkarın. Lamba türünden (halojen veya akkor lamba) bağımsız olarak, değiştirmeye çalışmadan önce soğuması için biraz zaman tanıyın ve daima aynı tipte bir lamba ile değiştirin. Güç kaynağını daima uygun voltajla, yani yeni mikroskobunuzun teknik özelliklerinde belirtilen şekilde kullanın. Cihazı farklı bir elektrik prizine takmak mikroskobun elektrik devresine zarar verebilir, lambayı yakabilir ve hatta kısa devreye neden olabilir. **Çocuklar cihazı yalnızca yetişkin gözetiminde kullanabilir. Küçük bir parça veya pil yutulursa hemen tıbbi yardım alın.**

Pil güvenliği talimatları

Her zaman kullanım amacına en uygun olan boyut ve türden piller satın alın. Eski ve yeni piller ile farklı türlerden pilleri birbiriyle birlikte kullanmamaya özen göstererek pil setini her zaman tamamen değiştirin. Pilleri takmadan önce pil kontakları ile cihaz kontaklarını temizleyin. Pillerin kutupları (+ ve -) açısından doğru bir biçimde takıldığını emin olun. Uzun süreyle kullanılmayacak ekipmanlardaki pilleri çıkarın. Kullanılmış pilleri derhal çıkarın. Aşırı ısınmaya, sıziinteye veya patlamaya neden olabileceğinden kesinlikle pillerde kısa devreye neden olmayın. Yeniden canlandırılmak için kesinlikle pilleri ısıtmayın. Pilleri sökmeyin. Cihazı kullanın sonrasında kapatın. Yutma, boğulma veya zehirlenme riskini önlemek için pilleri çocukların erişemeyeceği bir yerde saklayın. Kullanılmış pilleri ülkenizin yasalarında belirtildiği şekilde değerlendirin.

Levenhuk Garantisi

Levenhuk optik ürünleri, malzeme ve işçilik kaynaklı kusurlara karşı **2 yıl garantilidir**. Tüm Levenhuk aksesuarları, perakende satış yoluyla alınmasından sonra **2 yıl** boyunca malzeme ve işçilik kaynaklı kusurlara karşı garantilidir. Bu garanti sayesinde, tüm garanti koşulları sağlandığı takdirde, Levenhuk ofisi bulunan herhangi bir ülkede Levenhuk ürününüz için ücretsiz olarak onarım veya değişim yapabilirsiniz.

Ayrıntılı bilgi için web sitemizi ziyaret edebilirsiniz: www.levenhuk.eu/warranty
Garanti sorunları ortaya çıkarsa veya ürününüzü kullanırken yardıma ihtiyacınız olursa, yerel Levenhuk şubesi ile iletişime geçin.

The original Levenhuk cleaning accessories



Levenhuk Cleaning Pen LP10



Removes dust with a brush
The soft tip is treated with a special cleaning fluid that removes greasy stains
Does not damage optical coatings of the lenses
Leaves no smudges or stains

© 2021 Discovery or its subsidiaries and affiliates. Discovery and related logos are trademarks of Discovery or its subsidiaries and affiliates, used under license. All rights reserved. Discovery.com

levenhuk.com

Levenhuk Inc. (USA): 928 E 124th Ave. Ste D, Tampa, FL 33612, USA, +1 813 468-3001,
contact_us@levenhuk.com

Levenhuk Optics s.r.o. (Europe): V Chotejně 700/7, 102 00 Prague 102, Czech Republic, +420 737-004-919,
sales-info@levenhuk.cz

Levenhuk® is a registered trademark of Levenhuk, Inc.

© 2006–2021 Levenhuk, Inc. All rights reserved.
20210623



STREAM WHAT YOU LOVE
ALL IN ONE PLACE

levenhuk
Zoom&Joy