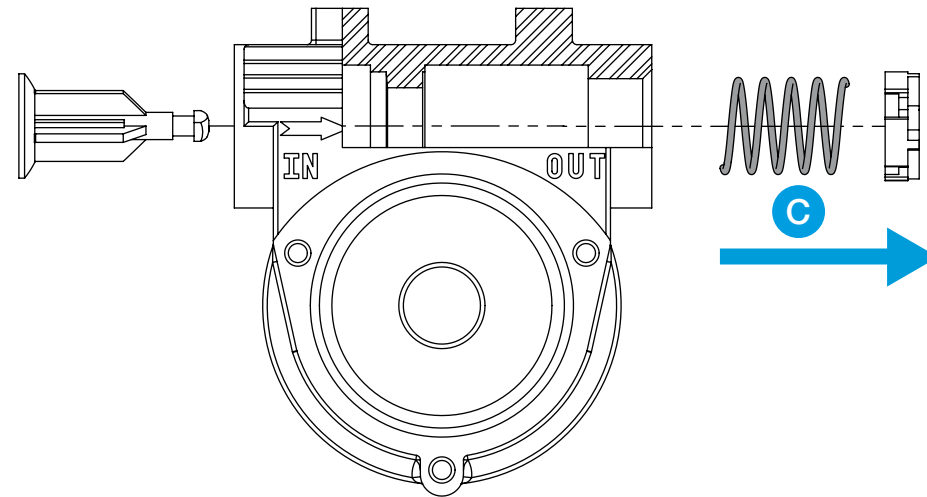
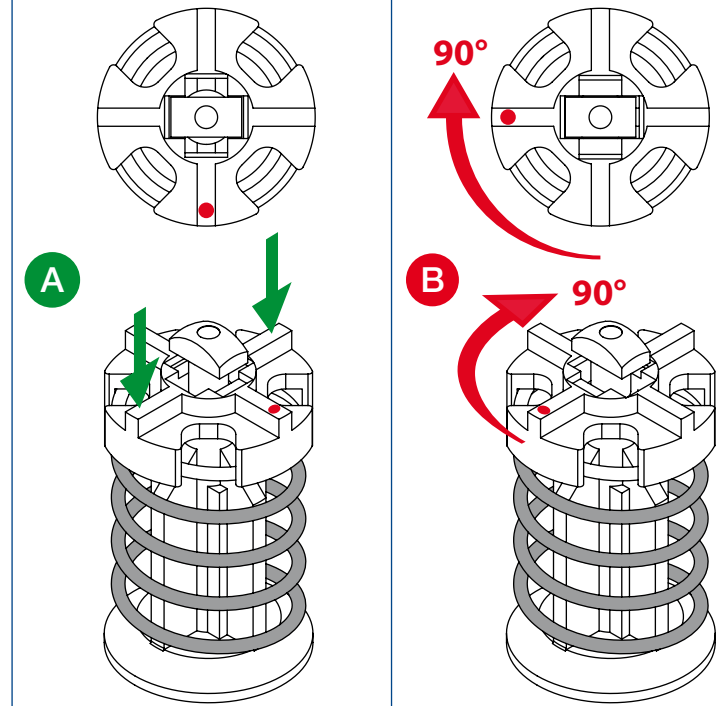
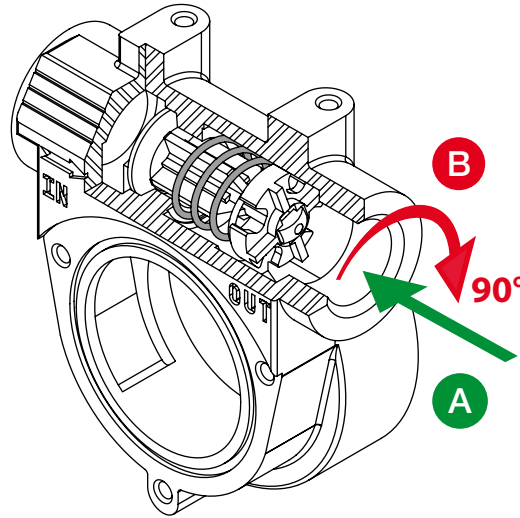
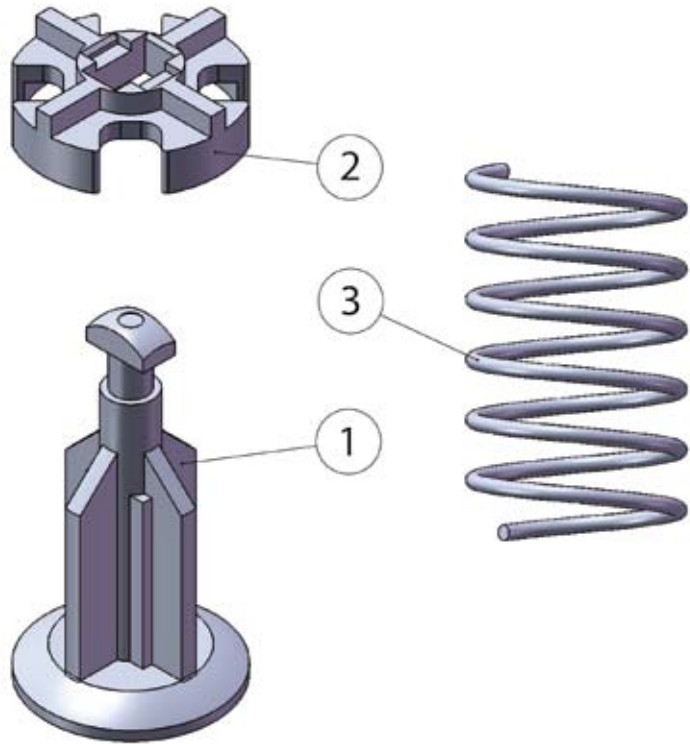


- A** SPINGERE • PUSH
- B** GIRARE A 90° • TURN 90°
- C** LASCIARE • EXIT



POS.	DESCR.	COD. • REF.	Q.TA' • QTY
1	VALVOLA • VALVE	71000520	1
2	PIATTELLINO • CAP	71000521	1
3	MOLLA • SPRING	71008006	1

KIT BY-PASS 40-45 Lt. REPAIR KIT

COD. • REF. 41071000



ADAM PUMPS S.p.a.
 Via della Resistenza, 46/48
 41011 Campogalliano (Modena) - Italy
 Tel +39 059 528128
 Fax +39 059 528437
 www.adampumps.com