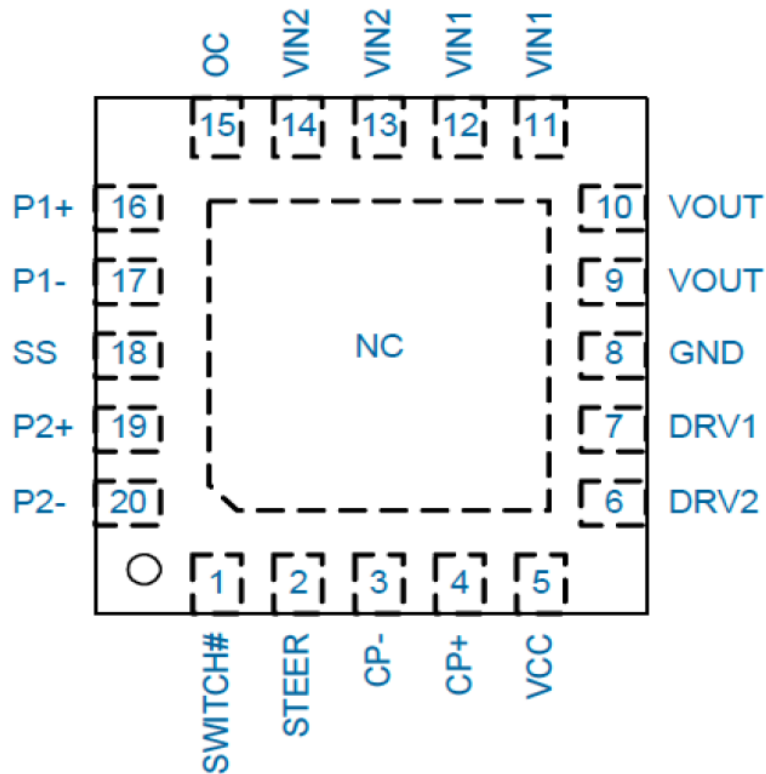




uPI dual-channel power management controller - uP7561QQKF



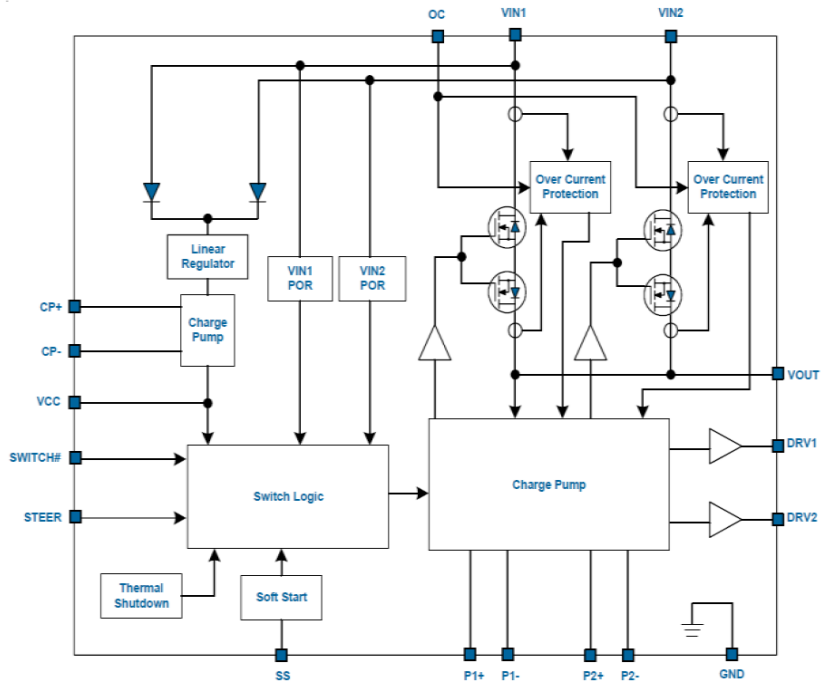
uP7561Q is a two-channel input power management controller specially designed for dynamic input power switching. It supports a wide input voltage range from 2.7V to 13.2V.

uP7561Q has two embedded drivers to drive external power MOSFETs, it also provides two internal MOSFETs as internal power paths with application flexibility.

Features:

- Support NVIDIA's Open VReg Type S1 technology
- VIN range :2.7V~13.2V
- Two embedded driver outputs provide external MOSFET control
- Adjustable overcurrent protection
- Adjustable Soft-Start

Functional Block Diagram:



Application circuit

