

HYVA CYLINDERS

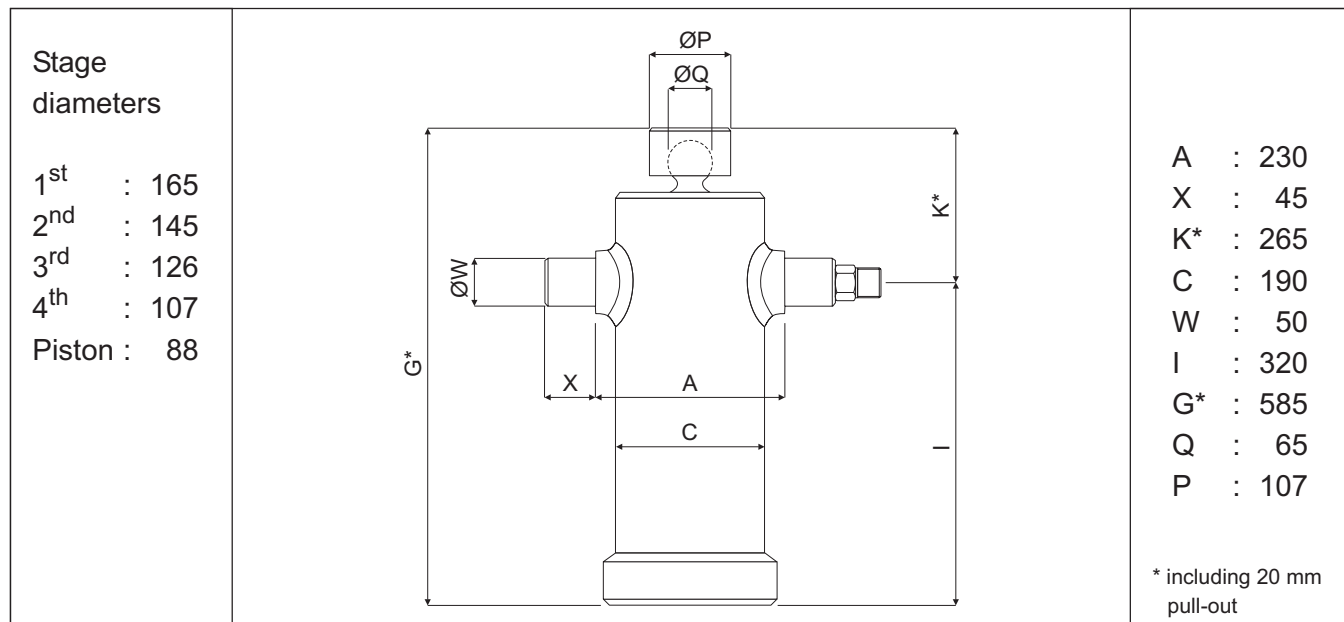


THREE-WAY / UNDERBODY TIPPING CYLINDER

Hyva

type : UCB 165-5-01830-K265-I320-50- $\frac{3}{4}$ "
part number cylinder only : 014 08 750

page # 1 / 1



specifications

Type number	: UCB 165-5-01830-K265-I320-50- $\frac{3}{4}$ "
number of extensions	: 5
total stroke	: 1830 mm
weight cylinder only	: 88,5 kg
tipping weight	: 22 ton
total volume	: 25 L
working volume	: 22 L
max. pressure	: 180 bar
oil inlet	: $\frac{3}{4}$ "

cradle & bracket dimensions (mm)

cradle : no. 014 13 710	brackets : no. 014 14 653
J : 390	R : 50.5
K : 235	S : 120
L : 205	T : 155
M : 50	U : 50
N : 65	V : 37
O : 55	W : 17
P : 50	X : 15
Q : 60°	

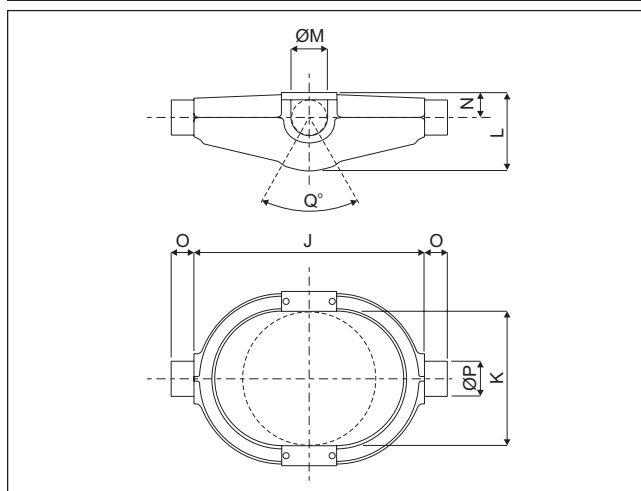
weight: 28.7 kg

weight: 1.5 kg

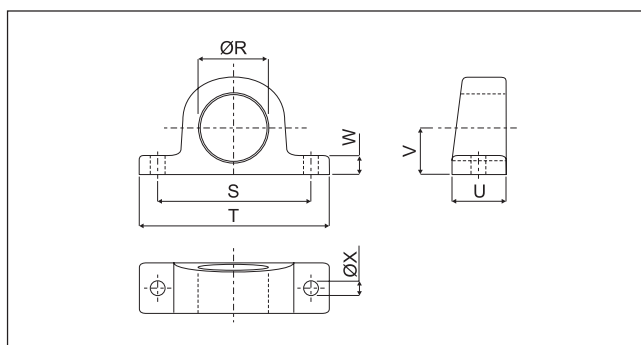
NOTE:

- Dimensions given include 20mm pull-out
- because of the short overlap of the tubes side load or bad alignment will result in leakage. Hyva strongly recommends to fit a cradle even in case cylinder tips only to the rear or only to the side.

cradle



brackets (2 required)



spare parts

seal kit	: 016 02 154
oil inlet adapter $\frac{3}{4}$ "	: 016 01 600

subject to change without notice

DO-E 01408750 / 09 02 17 / RV AC