

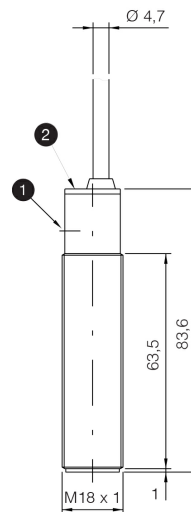


Indicative image



M18 CYLINDRICAL DIRECT DIFFUSE & RETRO-REFLECTIVE ULTRASONIC SENSOR UK1 WITH TEACH-IN BUTTON

- Models with digital programmable output
- Models with current or voltage analogue outputs
- Adjustable Hysteresis function: model with programmable double digital outputs, specific for levels
- Working area adjusting (window teach or single point teach) by Teach-in button suitable for all models for a fast coming into work
- Multifunction LED indicator: output type, adjustment procedure, NO/NC selection and reverse analog output slope



1 Teach-in 2 LED

Detection properties

Nominal sensing distance	400mm
Thermal drift of Sr	±2%
Repeat Accuracy	0,50%
Beam angle	10° ± 2°
Resolution	≤3mm
Sensitivity adjustment	Teach-in button
Hysteresis	1%
thermal compensation	Yes
Minimum sensing distance (blind zone)	50mm
Linearity error	1%

Application

Function Principle

Diffuse reflection

Outputs

Output type

2x PNP

Output Function

NO/NC multifunctions

Switching frequency

10Hz

Response time

500ms

Electrical data

Operating Voltage

10 - 30Vdc

No-Load supply current

≤50mA

Load current

100mA

Leakage current

10µA @ 30Vcc

Output voltage drop

2,2Vmax. @ IL=100 mA

Max ripple content

5%

LED indicators

green: echo - yellow: output

Time delay before availability

≤300ms

Short-circuit protection

Yes

Reverse Polarity Protection

Yes

Impulsive Overvoltage Protection

Yes

Mechanical data

Dimensions

M18 x 1 / L = 83,6mm

Weight

110g

Housing Material

PBT housing

Connections

2m PVC Cable

Tightening torque

1Nm

Operating temperature

- 20°C...+ 70°C

Storage temperature

- 35°C...+ 80° C without freeze

Transducer Frequency

300kHz

Diameter/Dimension

M18

Test/Approvals

Approvals

CE cULus

EMC compatibility

IEC 60947-5-2

Shocks and vibrations

IEC EN60947-5-2 / 7.4

Degree of protection

IP67

Accessories

Supplied Accessories

2 nuts M18x1, 2 washers Ø 18

General Data

Dimensions

M18 x 1 / L = 83,6mm

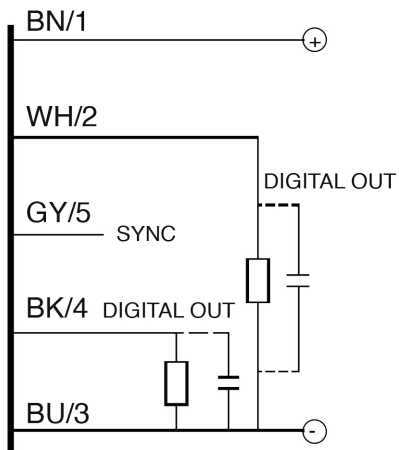
Operating Temperature

-20°C...+70°C

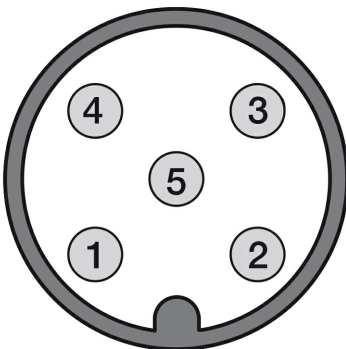
Mechanical Protection

IP67

ELECTRICAL DIAGRAMS OF THE CONNECTIONS

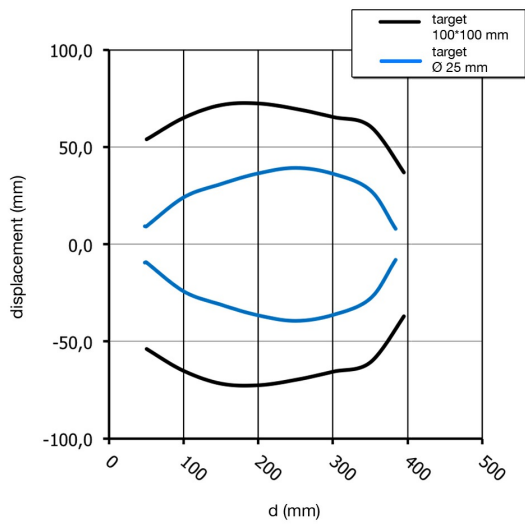


CONNECTOR



RESPONSE CURVES

Parallel offset



Datasensing S.r.l.

Strada S.Caterina, 235
41122 Modena (MO)
Tel. 059 420411
Fax 059 253973
E-mail info@datasensing.com

date of printing

16/02/2022 12:21:33