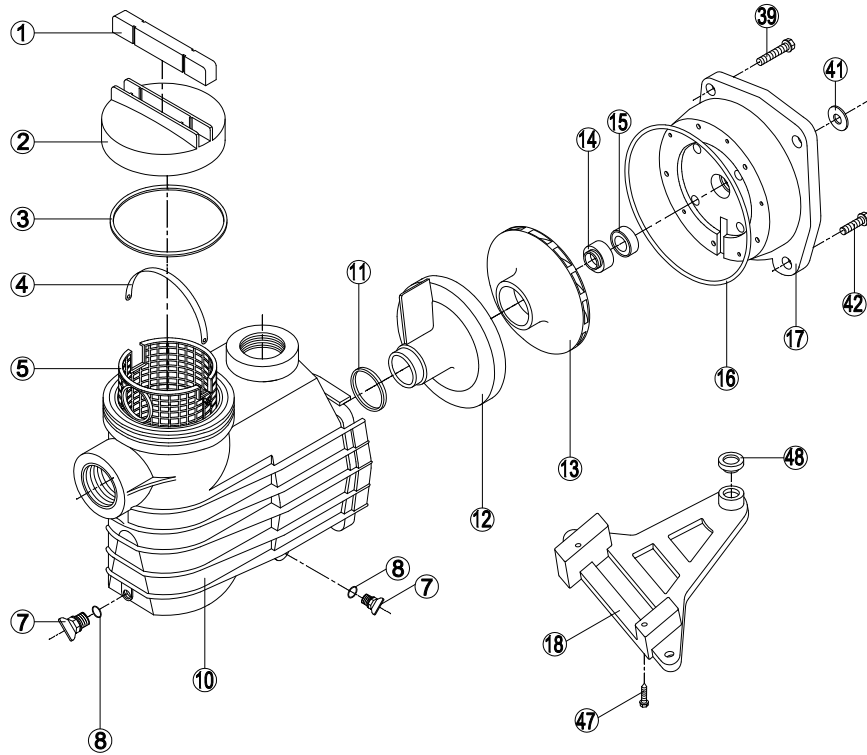
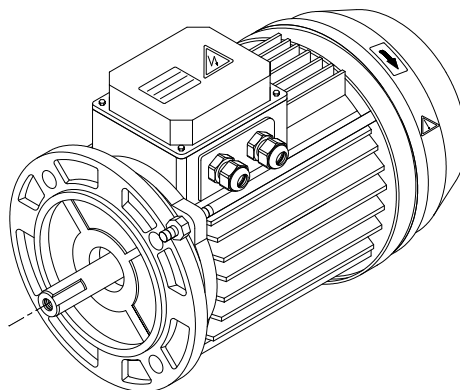


BOMBAS SERIE EPSILON / MODELOS EP
EPSILON SERIES PUMPS / EP MODELS

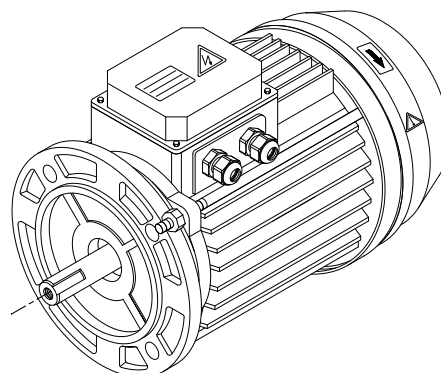


Nº No.	REFERENCIA PART No.	DESCRIPCIÓN DESCRIPTION	UDS. CAJA QTY. BOX
1			
2	RPUM0002.04R	Tapa / Lid	1
3	RPUM0003.04R	Kit Juntas Tapa / Lid O-ring set	10
3			1
8	RPUM3116.04R	Kit juntas / gasket kit	2
11			1
16			1
4	RPUM0005.04R	Cestillo / Basket	1
5			
7	RPUM0000.00R	Conjunto Desagüe / Drain set	10
8			
10	RPUM0010.04R	Cuerpo Bomba / Pump casing	1
11	RPUM0011.02R	Kit Juntas Difusor / Diffuser O-ring kit	10
12	RPUM0012.03R	Difusor / Diffuser	1
13	RPUM0013.03R	Turbina 0,33HP / Impeller 0,33HP	1
13	RPUM0013.07R	Turbina 0,50HP / Impeller 0,50HP	1
13	RPUM0013.05R	Turbina 0,75HP / Impeller 0,75HP	1
13	RPUM0013.08R	Turbina 1,00HP / Impeller 1,00HP	1
13	RPUM0013.09R	Turbina 1,50HP / Impeller 1,50HP	1
13	RPUM0013.10R	Turbina 2,00HP / Impeller 2,00HP	1
13	RPUM0013.11R	Turbina 3,00HP / Impeller 3,00HP	1
14	RPUM1415.01R	Conjunto Retén / Seal set	1
15			
16	RPUM0016.02R	Kit Juntas Cuerpo de Unión / Flange O-ring kit	10
17	RPUM0017.02R	Cuerpo de Unión / Flange	1
18	RPUM0018.01R	Soporte / Support	1
48			6
39			4
42	RPUM3942.02R	Kit tornillería / Hardware kit	4
47			2
41	RPUM0041.01R	Paragotero / Drops guard	10

MOTORES COMPLETOS (50 Hz) / COMPLETE MOTORS (50 hz)

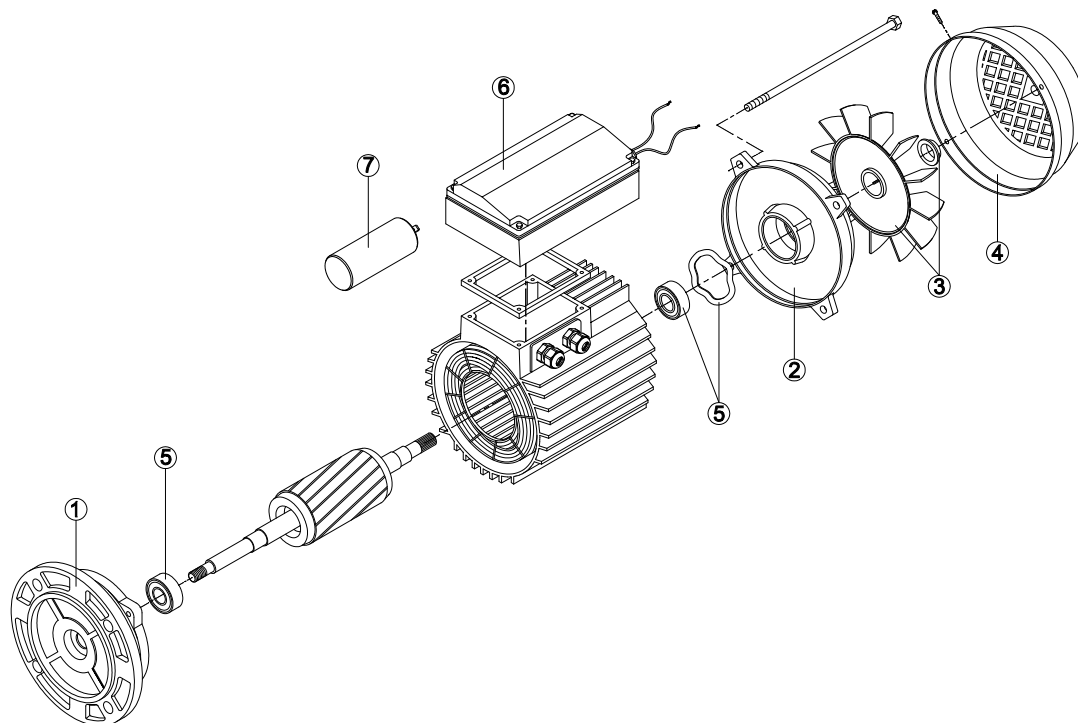


REFERENCIA REFERENCE	MODELO DE BOMBA PUMP MODEL	POTENCIA Hp. POWER	VOLTAGE VOLTAGE	MEC	
RMOT5000.10R	NK	0,25	230	63	
RMOT5000.20R		0,33			
RMOT5000.30R		0,50			
RMOT5010.10R	OK / CK / KSE / EP	0,33	230	63	
RMOT5010.20R	OK / CK	0,50			
RMOT5010.30R	OK / CK	0,75			
RMOT5011.20R	OK / CK	0,50	230 / 400		
RMOT5011.30R	OK / CK	0,75			
RMOT5020.10R	KSE / EP	0,50	230	71	
RMOT5020.20R	KSE / EP	0,75			
RMOT5020.30R	OK / CK / KSE / EP / KNG	1,00			
RMOT5021.10R	KSE / EP	0,50	230 / 400		
RMOT5021.20R	KSE / EP	0,75			
RMOT5021.30R	OK / CK / KSE / EP / KNG	1,00			
RMOT5030.10R	KSE / EP / KNG	1,50	230	80	
RMOT5030.20R	KSE / EP / KNG	2,00		80	
RMOT5040.20R	KSE / EP	3,00		90	
RMOT5031.10R	KSE / EP / KNG	1,50	230 / 400	80	
RMOT5031.20R	KSE / EP / KNG	2,00			
RMOT5031.30R	KSE / EP	3,00			
RMOT5080.00R	KPR	2,50	230	90	
RMOT5080.10R		3,00		90	
RMOT5081.00R		2,50	230 / 400	80	
RMOT5081.10R		3,00		80	
RMOT5081.20R		3,50		90	

MOTORES COMPLETOS (60 Hz) / COMPLETE MOTORS (60 Hz)


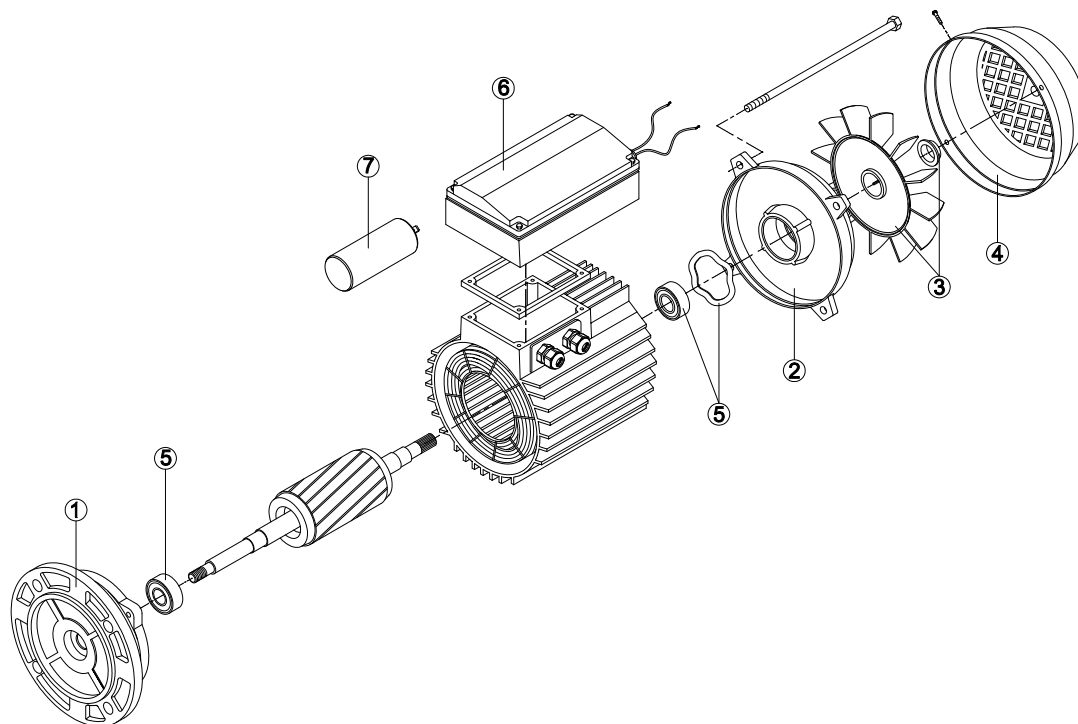
REFERENCIA REFERENCE	MODELO DE BOMBA PUMP MODEL	POTENCIA Hp. POWER	VOLTAGE VOLTAGE	MEC
RMOT6000.10R	NK	0,25	230	63
RMOT6000.20R		0,33		
RMOT6000.30R		0,50		
RMOT6010.10R	OK / CK / KSE / EP	0,33	230	63
RMOT6010.20R	OK / CK	0,50		
RMOT6010.30R	OK / CK	0,75		
RMOT6011.20R	OK / CK	0,50	230 / 400	
RMOT6011.30R	OK / CK	0,75		
RMOT6020.10R	KSE / EP	0,50	230	71
RMOT6020.20R	KSE / EP	0,75		
RMOT6020.30R	OK / CK / KSE / EP / KNG	1,00		
RMOT6021.10R	KSE / EP	0,50	230 / 400	
RMOT6021.20R	KSE / EP	0,75		
RMOT6021.30R	OK / CK / KSE / EP / KNG	1,00		
RMOT6030.10R	KSE / EP / KNG	1,50	230	80
RMOT6030.20R	KSE / EP / KNG	2,00		80
RMOT6040.20R	KSE / EP	3,00		90
RMOT6031.10R	KSE / EP / KNG	1,50	230 / 400	80
RMOT6031.20R	KSE / EP / KNG	2,00		
RMOT6031.30R	KSE / EP	3,00		

REPUESTOS MOTOR / BRIDA - TAPA - VENTILADOR
REPUESTOS MOTOR / COVER PUMP - COVER FAN - FAN



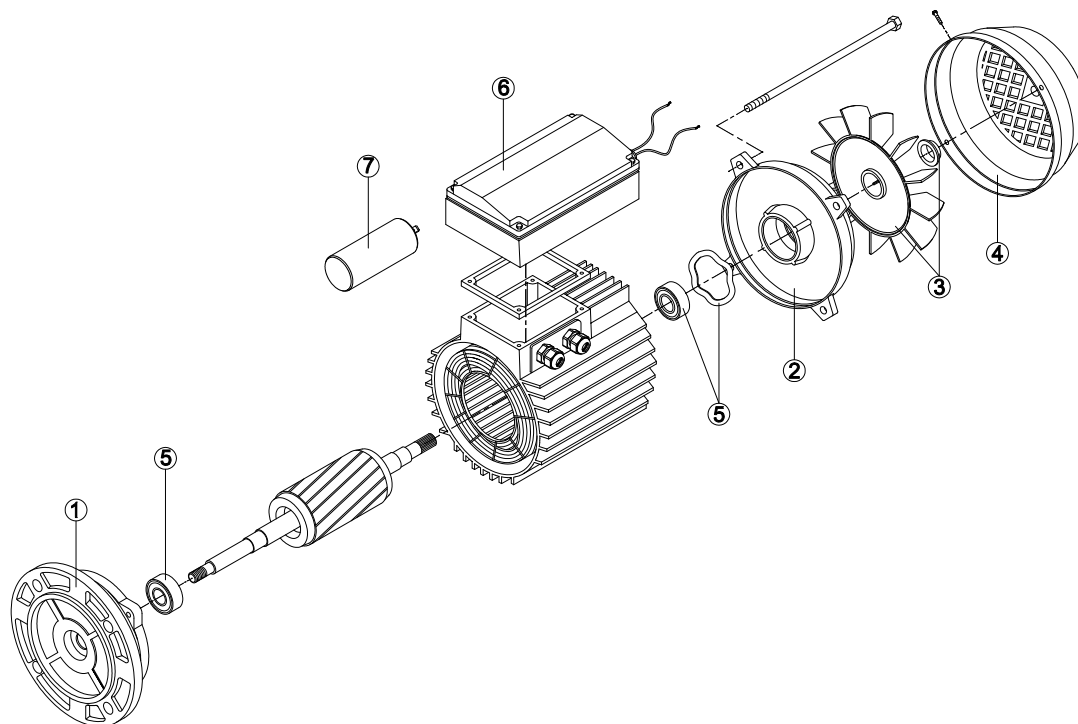
REFERENCIA PART No.	MODELO DE BOMBA PUMP MODEL	MEC
Nº 1 BRIDA MOTOR / No. 1 MOTOR COVER-PUMP SIDE		
RMOT0001.00R	NK	63
RMOT0001.01R	OK / CK / KSE / EP / KNG	63
RMOT0001.02R	OK / CK / KSE / EP / KNG	71
RMOT0001.03R	KSE /EP/KNG/KPR/KAP/KA/KSV-KAPV-KAV-KPRV (ASIN)	80
RMOT0001.04R	KSE /EP/KNG/KPR/KAP/KA/KSV-KAPV-KAV-KPRV (MMP)	90
RMOT0001.05R	KAP / KA / KAN / KT	100
RMOT0001.06R	KAN / KT / KAL / KL / KRF / KRB	112
RMOT0001.07R	KAN / KT / KTB / KAL / KL / KRF / KRB	132
Nº 2 TAPA MOTOR / No. 2 MOTOR COVER-FAN SIDE		
RMOT0002.01R	NK / OK / CK / KSE / EP / KNG	63
RMOT0002.02R	OK / CK / KSE / EP / KNG	71
RMOT0002.03R	KSE /EP/KNG/KPR/KAP/KA/KSV-KAPV-KAV-KPRV (ASIN)	80
RMOT0002.04R	KSE /EP/KNG/KPR/KAP/KA/KSV-KAPV-KAV-KPRV (MMP)	90
RMOT0002.05R	KAP / KA / KAN / KT	100
RMOT0002.06R	KAN / KT / KAL / KL / KRF / KRB	112
RMOT0002.07R	KAN / KT / KTB / KAL / KL / KRF / KRB	132
Nº 3 VENTILADOR / No. 3 FAN		
RMOT0003.01R	NK / OK / CK / KSE / EP / KNG	63
RMOT0003.02R	OK / CK / KSE / EP / KNG	71
RMOT0003.03R	KSE /EP/KNG/KPR/KAP/KA/KSV-KAPV-KAV-KPRV (ASIN)	80
RMOT0003.04R	KSE /EP/KNG/KPR/KAP/KA/KSV-KAPV-KAV-KPRV (MMP)	90
RMOT0003.05R	KAP / KA / KAN / KT	100
RMOT0003.06R	KAN / KT / KAL / KL / KRF / KRB	112
RMOT0003.07R	KAN / KT / KTB / KAL / KL / KRF / KRB	132

REPUESTOS MOTOR / TAPA VENTILADOR - KIT RODAMIENTOS
REPUESTOS MOTOR / FAN COVER - BEARINGS KIT



REFERENCIA PART No.	MODELO DE BOMBA PUMP MODEL	MEC
Nº 4 TAPA VENTILADOR / No. 4 FAN COVER		
RMOT0004.01R	NK / OK / CK / KSE / EP / KNG	63
RMOT0004.02R	OK / CK / KSE / EP / KNG	71
RMOT0004.03R	KSE /EP/KNG/KPR/KAP/KA/KSV-KAPV-KAV-KPRV (ASIN)	80
RMOT0004.04R	KSE /EP/KNG/KPR/KAP/KA/KSV-KAPV-KAV-KPRV (MMP)	90
RMOT0004.05R	KAP / KA / KAN / KT	100
RMOT0004.06R	KAN / KT / KAL / KL / KRF / KRB	112
RMOT0004.07R	KAN / KT / KTB / KAL / KL / KRF / KRB	132
Nº 5 KIT RODAMIENTOS / No. 5 BEARINGS KIT		
RMOT0005.01R	NK / OK / CK / KSE / EP / KNG	63
RMOT0005.01R	OK / CK / KSE / EP / KNG	71
RMOT0005.02R	KSE /EP/KNG/KPR/KAP/KA/KSV-KAPV-KAV-KPRV (ASIN)	80
RMOT0005.03R	KSE /EP/KNG/KPR/KAP/KA/KSV-KAPV-KAV-KPRV (MMP)	90
RMOT0005.04R	KAP / KA / KAN / KT	100
RMOT0005.05R	KAN / KT / KAL / KL / KRF / KRB	112
RMOT0005.06R	KAN / KT / KTB / KAL / KL / KRF / KRB	132

REPUESTOS MOTOR / CAJA CONEXIONES - CONDENSADORES
REPUESTOS MOTOR / CONNECTION BOX- CAPACITORS



REFERENCIA PART No.	MODELO DE BOMBA PUMP MODEL	MEC
Nº 6 CAJA DE CONEXIONES / No. 6 CONNECTION BOX		
RMOT0006.01R	NK / OK / CK / KSE / EP / KNG	63
RMOT0006.02R	OK / CK / KSE / EP / KNG	71
RMOT0006.03R	KSE /EP/KNG/KSV-KAPV-KAV-KPRV (ASIN)	80 (M)
RMOT0006.04R	KSE /EP/KNG/KPR/KAP/KA/KSV-KAPV-KAV-KPRV (MMP)	80/90 (T)
RMOT0006.05R	KSE / EP / KPR / KAP / KA	90 (M)
RMOT0006.06R	KPR / KAP / KA / KAN / KT /	100(T)
RMOT0006.07R	KAN / KT / KTB / KAL / KL / KRF / KRB	112 /132
Nº 7 CONDENSADOR / No. 7 CAPACITOR		
RMOT0007.01R	NK / OK / CK / KSE / EP	63 - 12 µF
RMOT0007.02R	OK / CK / KSE / EP / KNG	71 - 14 µF
RMOT0007.03R	OK / CK / KSE / EP / KNG	71 - 16 µF
RMOT0007.04R	OK / CK / KSE / EP / KNG	71 - 20 µF
RMOT0007.05R	KSE / EP / KNG / KPR / KAP / KA	80 - 25 µF
RMOT0007.06R	KSE / EP / KNG / KPR / KAP / KA	80 - 30 µF
RMOT0007.07R	KSE / EP / KNG / KPR / KAP / KA	80 - 40 µF
RMOT0007.08R	KSE / EP / KPR / KAP / KA	90 - 36 µF