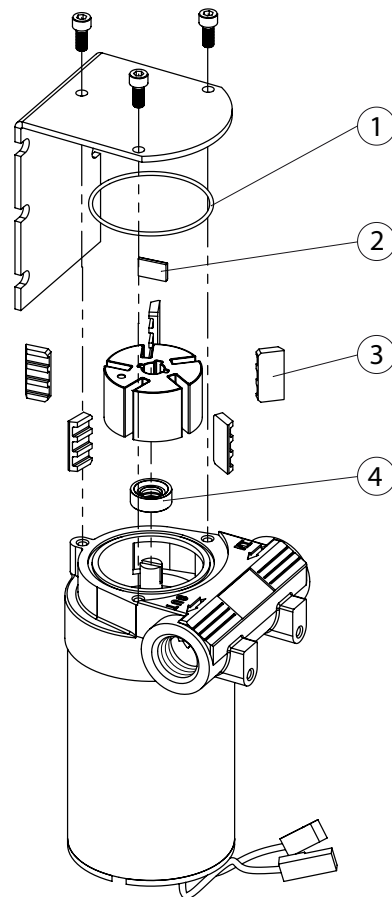
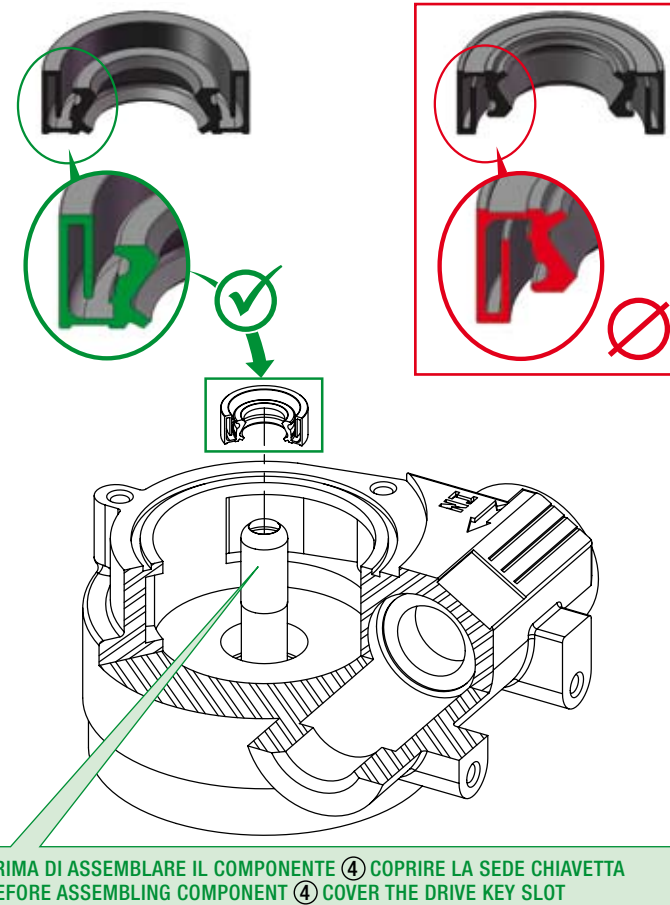


POS.	DESCR.	COD. • REF.	Q.TA' • QTY
1	OR2212 • O-RING 2212	18001014	1
2	CHIAVETTA IN PLASTICA • PLASTIC KEY	71000517	1
3	PALETTA PICCOLA • VANE	71000522	5
4	ANELLO DI TENUTA • ROTARY SEAL 10 X 19 X 7 HNBR	12010031000	1

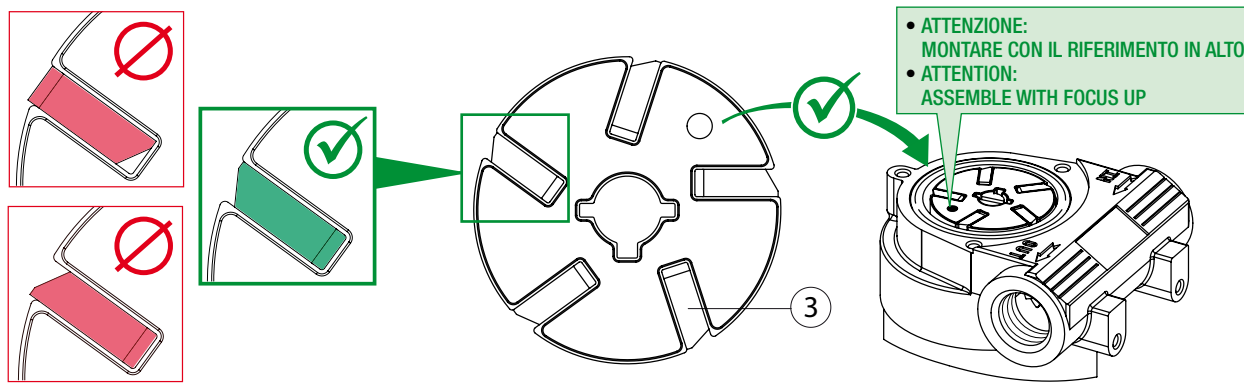
**A**



**B**



**C**



# 40 Lt. REPAIR KIT

COD. • REF. KIT40



**ADAM PUMPS S.p.a.**  
Via della Resistenza, 46/48  
41011 Campogalliano (Modena) - Italy

Tel +39 059 528128  
Fax +39 059 528437  
www.adampumps.com