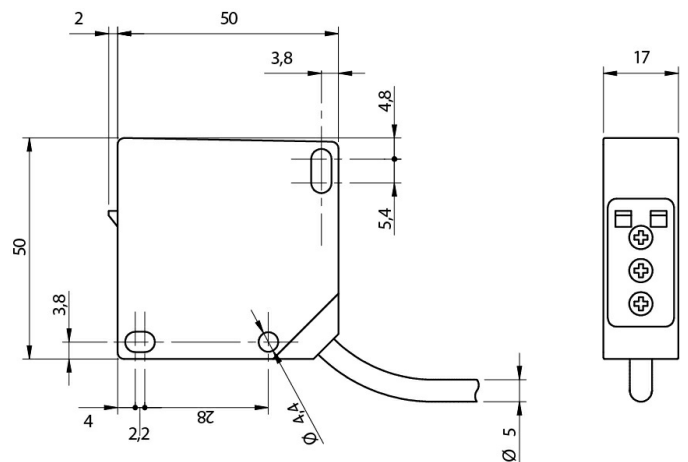




Indicative image

COMPACT CUBIC 50 X 50 MM UNIVERSAL PHOTOELECTRIC SENSOR

- Universal photoelectric sensor, excellent performances and high versatility due to the wide choice of different versions available
- Cable output or revolving connector, NPN/PNP outputs for Vdc models or SPDT relay output for multi-voltage Vdc / Vac models
- Complementary outputs NO + NC available on the Vdc models or selectable output NO/NC available on the multi-voltage Vdc/Vac models
- Totally protected against electrical damages
- Wide choice of optical functions available: Diffuse: 2 m; background suppression: 500 mm; polarized: 6m; through beam: 20 m. Dual multifunction output state LEDs



Detection properties

Nominal sensing distance 20m

Sensitivity adjustment Single-turn potentiometer

Application

Function Principle Emitter

Optic position Axial

Outputs

Output Function Emitter

Electrical data

Operating Voltage 12...240Vdc / 24...240Vac/50-60Hz

No-Load supply current 2,5VA (relay ON)

Short-circuit protection	Yes
Reverse Polarity Protection	Yes
Emission	Infrared

Mechanical data

Dimensions	50X50mm
Weight	200g
Housing Material	PC/ABS
Connections	2m PVC cable
Active Head Material	PMMA
Operating temperature	- 20°C...+ 60°C (UL omologation 0°C...60°C)
Material	PC/ABS
Diameter/Dimension	Cubic

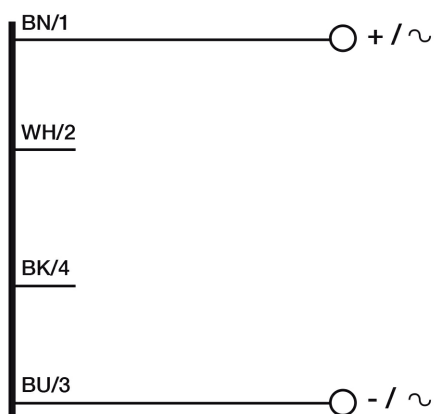
Test/Approvals

EMC compatibility	EN 60947-5-2
Shocks and vibrations	Vibration IEC 60068-2-6 / Shock IEC 60068-2-61
Degree of protection	IP67

Accessories

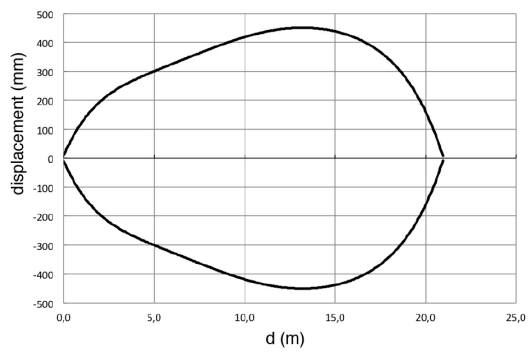
Supplied Accessories	Mounting bracket included
----------------------	---------------------------

ELECTRICAL DIAGRAMS OF THE CONNECTIONS



RESPONSE CURVES

Parallel offset



Datasensing S.r.l.

Strada S.Caterina, 235
41122 Modena (MO)
Tel. 059 420411
Fax 059 253973
E-mail info@datasensing.com

date of printing

26/01/2022 12:44:17