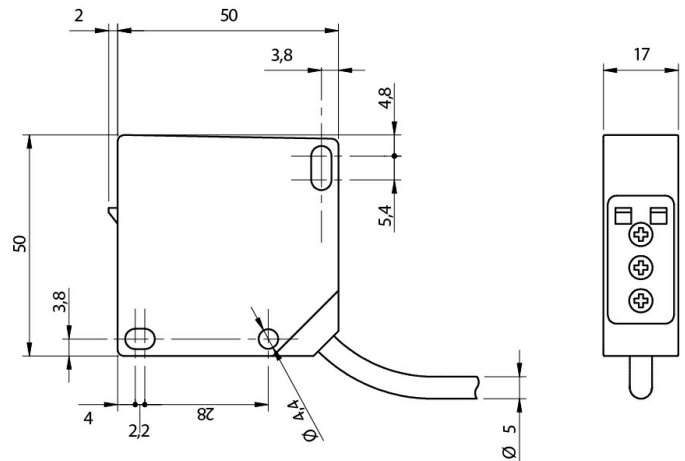




Indicative image

COMPACT CUBIC 50 X 50 MM UNIVERSAL PHOTOELECTRIC SENSOR

- Universal photoelectric sensor, excellent performances and high versatility due to the wide choice of different versions available
- Cable output or revolving connector, NPN/PNP outputs for Vdc models or SPDT relay output for multi-voltage Vdc / Vac models
- Complementary outputs NO + NC available on the Vdc models or selectable output NO/NC available on the multi-voltage Vdc/Vac models
- Totally protected against electrical damages
- Wide choice of optical functions available: Diffuse: 2 m; background suppression: 500 mm; polarized: 6m; through beam: 20 m. Dual multifunction output state LEDs



Detection properties

Nominal sensing distance 20m

Sensitivity adjustment Single-turn potentiometer

Application

Function Principle Emitter + Receiver

Optic position Axial

Outputs

Output type Relay SPDT

Output Function NO+NC

Switching frequency 20Hz

Electrical data

| | |
|-----------------------------|-----------------------------------|
| Operating Voltage | 12...240Vdc / 24...240Vac/50-60Hz |
| No-Load supply current | 2,5VA (relay ON) |
| Short-circuit protection | Yes |
| Reverse Polarity Protection | Yes |

Mechanical data

| | |
|-----------------------|--|
| Dimensions | 50X50mm |
| Weight | 200g |
| Housing Material | PC/ABS |
| Connections | 2m PVC cable |
| Active Head Material | PMMA |
| Operating temperature | - 20°C...+ 60°C (UL omologation 0°C...60°C) |
| Material | PC/ABS |
| Diameter/Dimension | Cubic |

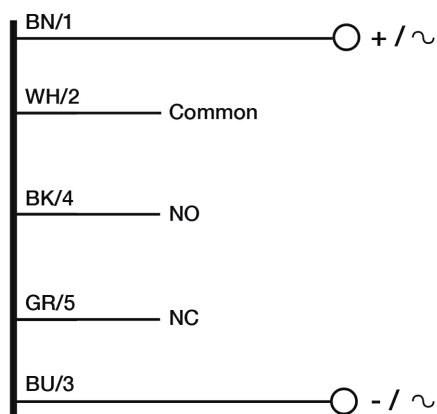
Test/Approvals

| | |
|-----------------------|--|
| EMC compatibility | EN 60947-5-2 |
| Shocks and vibrations | Vibration IEC 60068-2-6 / Shock IEC 60068-2-56 |
| Degree of protection | IP67 |

Accessories

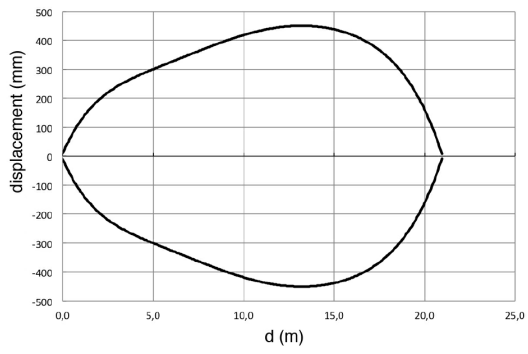
| | |
|----------------------|---------------------------|
| Supplied Accessories | Mounting bracket included |
|----------------------|---------------------------|

ELECTRICAL DIAGRAMS OF THE CONNECTIONS



RESPONSE CURVES

Parallel offset



Datasensing S.r.l.

Strada S.Caterina, 235
41122 Modena (MO)
Tel. 059 420411
Fax 059 253973
E-mail info@datasensing.com

date of printing

26/01/2022 12:14:25