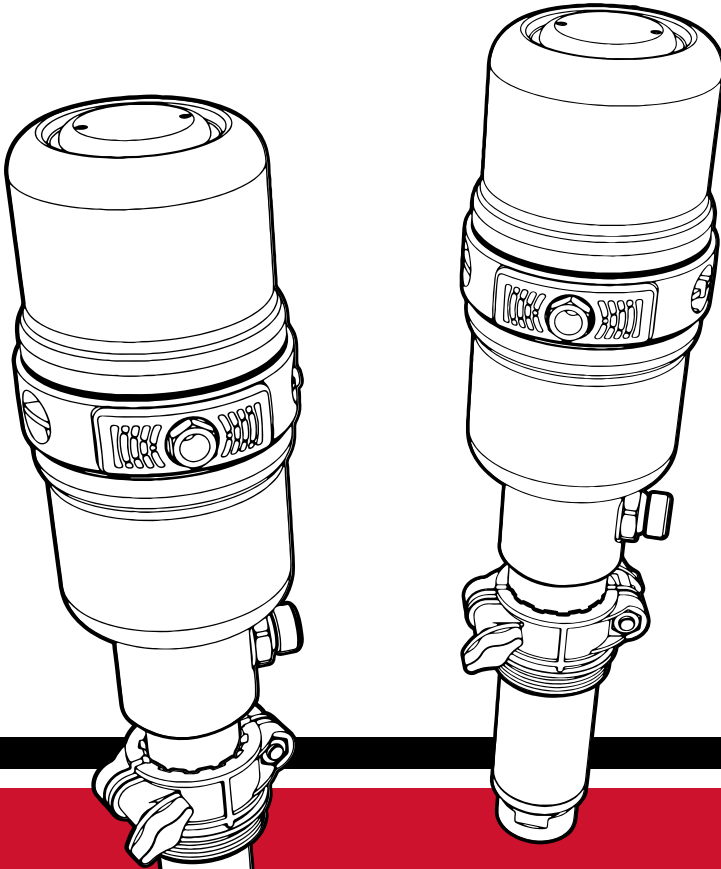


PIUSI

*Fluid Handling
Innovation*

PIUSI
P 3.5
P 5.5



**MADE
IN
ITALY**

Installation, use and maintenance | **EN**
Installation, utilisation et entretien | **FR**
Installation, Gebrauch und Wartung | **DE**
Installazione, uso e manutenzione | **IT**
Instalación, uso y mantenimiento | **ES**
Instalação, uso e manutenção | **PT**

BULLETIN MO352 A _OO

ENGLISH

BULLETIN MO352 A

INDEX

1. EC declaration of conformity	4
2. General warnings	5
3. Safety instructions and warnings	6
4. First aid rules	6
5. General safety rules	7
6. Dispensing system packaging	8
7. Package contents/pre-inspection	8
8. Position of important information	9
9. Machine and manufacturer identification	10
10. Technical specifications	10
11. Intended use	12
12. Installation	13
13. Operation	17
14. Maintenance	18
15. Troubleshooting	19
16. Demolition and disposal	21

1. EC DECLARATION OF CONFORMITY

The undersigned:

PIUSI S.p.A.

Via Pacinotti 16/A z.i. Rangavino
46029 Suzzara - Mantova - Italy

HEREBY STATES

under its own responsibility, that the equipment described below:

Description: double-acting pneumatic pump for oil dispensing

Model: **PIUSI P 3.5 - PIUSI P 5.5**

Serial number: refer to Serial Number shown on CE stamp on the product

Year of manufacture: refer to Serial Number shown on CE stamp on the product

is in conformity with the legal provisions indicated in the directives:

· Machine Directive 2006/42/CE

The documentation is at the disposal of the competent authority following motivated request at PIUSI S.p.A. or following request sent to the email address: doc_tec@piusi.com

The person authorised to compile the technical file and draw up the declaration is *Otto Varini* as legal representative.

Suzzara, 01/03/2020

Otto Varini
legal representative





2. GENERAL WARNINGS

Warnings

To ensure operator safety and to protect the system from potential damage, workers must be fully acquainted with this instruction manual before attempting to operate the system.

Symbols used in the manual

The following symbols will be used throughout the manual to highlight safety information and precautions of particular importance:

	<p>WARNING</p>		<p>ATTENTION</p>		<p>NOTE</p>
<p>This symbol indicates a hazardous situation which, if not avoided, could result in death or serious injury.</p>		<p>This symbol indicates that there is risk of damage to the equipment and/ or its components.</p>		<p>This symbol indicates <i>useful information</i>.</p>	

Manual preservation

This manual should be complete and legible throughout. It should remain available to end users and specialist installation and maintenance technicians for consultation at any time.

Reproduction rights

This manual belongs to PIUSI S.p.A., which is the sole proprietor of all rights indicated by applicable laws, including, by way of example, laws on copyrights. All the rights deriving from such laws are reserved to PIUSI S.p.A.: the reproduction, including partial, of this manual, its publication, change, transcription and notification to the public, transmission, including using remote communication media, placing at disposal of the public, distribution, marketing in any form, translation and/or processing, loan and any other activity is reserved by the law to PIUSI S.p.A. All reproduction rights are reserved by PIUSI S.p.A. The text cannot be reprinted without the written permission of PIUSI S.p.A.

© PIUSI S.p.A.
 THIS MANUAL IS THE PROPERTY OF PIUSI S.p.A.
 ANY REPRODUCTION, EVEN PARTIAL, IS FORBIDDEN.

3. SAFETY INSTRUCTIONS AND WARNINGS

Preliminary checks before installation

Before proceeding, make sure you can install the product in a ventilated area, free from hazards for operators and equipment.



WARNING

Poor ventilation, naked flames and sparks can give rise to hazardous conditions, and cause fires, explosions and serious injuries.

The device is NOT anti-explosive type.

The device must be installed outside areas at risk of explosion.

Do not install in areas where inflammable vapors may be present.

Make sure that hoses are not routed close to high-traffic areas, sharp edges, moving parts or hot surfaces. Use hoses within a temperature range of -40°C to +82°C.

Maintenance control

Before carrying out any inspection or maintenance operations, always shut off the air and discharge the pressure from the circuit by following the decompression and draining procedure.

Prohibitions



WARNING

It is strictly forbidden to hold or transport the system by means of the hoses connected to it.

The device is designed to pump fluid at high pressures. Directing the flow towards any part of the body is strictly prohibited and may cause severe injury.

4. FIRST AID RULES

Contact with the product


In the event of problems deriving from INJECTION, INHALATION, INGESTION or contact of the handled product with the EYES or SKIN, consult the respective SAFETY DATA SHEET.

Hazardous fluids and toxic fumes can cause serious or fatal injuries.




Fluid injection hazard

There is a risk that the handled fluid could be accidentally injected into the operator's body as a result of leaks, damaged components or improper use. Should this happen, the victim must receive immediate emergency medical attention from qualified personnel. Inform medical personnel of the exact nature of the injected fluid.


 **NOTE**

Refer to the safety data sheets of the fluid in question.

 **WARNING**

Do not treat the area into which the fluid was injected as a simple wound. Call for emergency medical attention.

5. GENERAL SAFETY RULES

 **WARNING**

Do not operate the device when tired or under the influence of drugs or alcohol. Do not leave the work area while the device is operating. Do not alter or modify the device. Alterations or modifications to the device may invalidate its type-approval and result in dangers to safety. Keep children and animals far from the work area. Observe all applicable safety regulations.

Essential protective equipment characteristics

Personal protective equipment that must be worn

Wear protective equipment according to the info below:

- suited to the operations that need to be performed;
- resistant to cleaning products.



safety shoes



protective gloves



close-fitting clothing



safety goggles



Use *Instruction Manual*

Protective gloves Prolonged contact with the treated product may cause skin irritation; always wear protective gloves during dispensing.

! WARNING

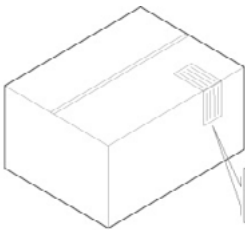
Moving parts hazard



The device comprises moving parts capable of crushing, cutting and amputation. Operate with care at all times.

- Do not approach moving parts during start-up or use of the device.
- Do not operate the device without its protective casings.

6. DISPENSING SYSTEM PACKAGING

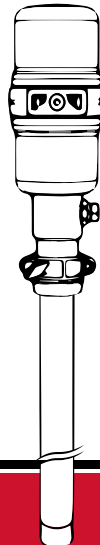


The dispensing system comes packed in a cardboard box bearing a **label** containing all the information relating to the equipment (model, weight, etc.).

7. PACKAGE CONTENTS/PRE-INSPECTION



model
PIUSI P 3.5 - ST
PIUSI P 5.5 - ST
 Wall-mounting pump unit.



model
PIUSI P 3.5 - 940
PIUSI P 5.5 - 940
 Pump unit with pick-up hose for drum-mounting.



To open the cardboard packaging, use a pair of scissors or a cutter, being careful not to damage the dispensing system or its components. Open the packaging and check that the components provided as part of the equipment are available.

! WARNING

Check that the data on the plate correspond to the desired specifications. In the event of any anomaly, contact the supplier immediately, indicating the nature of the defects. Do not use equipment which you suspect might not be safe.

+ NOTE

In the event that one or more of the components described below are missing from inside the package, please contact PIUSI S.p.A. technical support.

8. POSITION OF IMPORTANT INFORMATION

An adhesive label showing the operator the most important information is affixed to the dispensing system. Check that this label does not deteriorate over time or come off. The label shows the following information relating to use:

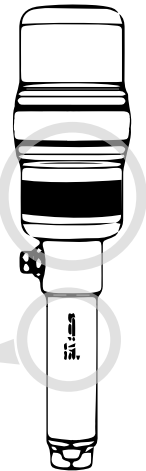
+ NOTE

If all or part of the label deteriorates or comes off, please contact our customer care department to ask for a replacement.

- close-fitting clothing
- safety goggles

- protective gloves
- safety shoes

Consult "Installation, use and maintenance" manual



! WARNING	MADE IN ITALY	ATTENTION	
Do not exceed the maximum air pressure of the pump. Not for use with windshield washer fluid, petrol or other explosive liquids.		Wear appropriate protective equipment to help prevent serious injury. Indossare dispositivi di protezione adeguati per prevenire gravi infortuni.	

Stamp on the bottom of the pump, or on the pick-up hose, showing information about the device.

PIUSI SPA - MADE IN ITALY
PIUSI P 5.5 - ST FOO21401A
SERIAL N. O123456789
CE EAC

9. MACHINE AND MANUFACTURER IDENTIFICATION

The dispensing system comes with an identification stamp attached to the pump and contains the following information:

- *type*;
- *product ID code*;
- *serial number*.



WARNING

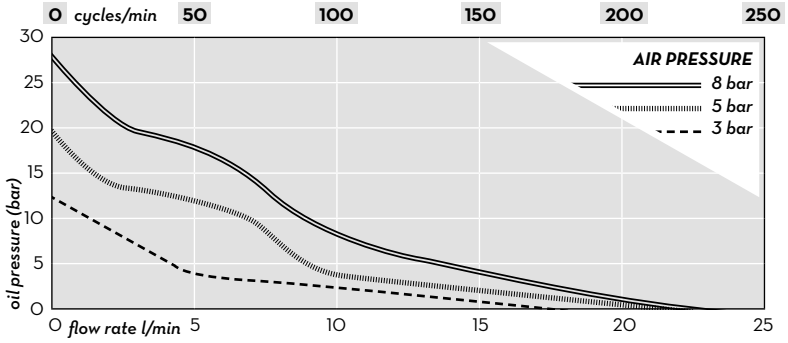
Before installing, always make sure the type of dispensing system is correct.

10. TECHNICAL SPECIFICATIONS

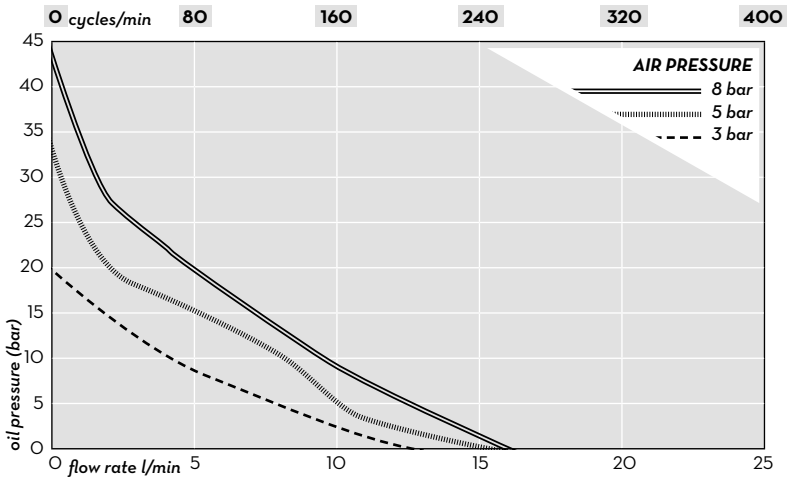
	P 3.5 - ST FOO214000	P 3.5 - 940 FOO214020	P 5.5 - ST FOO214010	P 5.5 - 940 FOO214030
Compression ratio	3.5:1	3.5:1	5.5:1	5.5:1
Air pressure	3-8 bar 43.5-116 psi	3-8 bar 43.5-116 psi	3-8 bar 43.5-116 psi	3-8 bar 43.5-116 psi
Air intake thread	1/4" G	1/4" G	1/4" G	1/4" G
Oil intake thread	1" G	1" G	1" G	1" G
Oil outlet thread	1/2" G	1/2" G	1/2" G	1/2" G
Flow rate with free outlet (8 bar)	21,5 l/min 5.7 USgal/min	21,5 l/min 5.7 USgal/min	15,5 l/min 4.1 USgal/min	15,5 l/min 4.1 USgal/min
Pick-up hose diameter	-	42 mm	-	50 mm
Pick-up hose length	175 mm	940 mm	175 mm	940 mm
Total length	445 mm	1210 mm	445 mm	1210 mm
Retaining ring nut	2" G	2" G	2" G	2" G
Air pressure	3-7 bar 43.5-101.5 psi	3-7 bar 43.5-101.5 psi	3-7 bar 43.5-101.5 psi	3-7 bar 43.5-101.5 psi

SAE 20 (ISO VG68) OIL
t=18°C

P 3.5 - ST P 3.5 - 940



P 5.5 - ST P 5.5 - 940



11. INTENDED USE

Intended use

The “**PIUSI P 3.5 - PIUSI P 5.5**” dispensing system is designed and manufactured for the sole purpose of dispensing lubricating oil.

Conditions of use

The “**PIUSI P 3.5 - PIUSI P 5.5**” dispensing system must be used in accordance with the following conditions:

- *intake air pressure: 3-7 bar;*
- *maximum operating pressure: 55 bar;*
- *make sure that the pump operates within its nominal operating parameters.*

Flammable liquids and explosive atmosphere



WARNING

The system “**PIUSI P 3.5 - PIUSI P 5.5**” was not designed for dispensing of diesel, petrol, flammable liquids with flash point 55°C (131°F), or for operation in environments with potentially explosive atmosphere. The use in the above mentioned conditions is forbidden.

Unintended use

Do not operate the system for any purpose other than the purpose described within this manual; all other use is considered “IMPROPER” and will result in PIUSI S.p.A. disclaiming any responsibility for damage to property, people, animals or to the system itself.




12. INSTALLATION

Foreword

The “**PIUSI P 3.5 - PIUSI P 5.5**” dispensing system is designed and predisposed for wall-mounting (ST versions) or mounting directly on the oil drum (94O versions). In both cases, however, it must be mounted in a secure, stable manner.


Authorised installation personnel

 **WARNING**

It is absolutely forbidden to replace the oil delivery nipple with other commercial connectors

All installations must be carried out by authorised and competent personnel only. Authorised persons must:


- install the system in dry and well-ventilated place;
- ensure the correct installation of equipment required for the correct functioning of the pump.

 **WARNING**

Altering or modifying the dispensing device is strictly forbidden. PIUSI S.p.A. accepts no responsibility for damage to persons, property or the environment caused by failure to comply with this requirement.

The installer is responsible for equipping the system with the required accessories for safe and correct operation of the device. The selection of accessories unsuitable for use may cause serious damage/injury to the device and/or individuals.

Do not use the device if important parts of the device, accessories or safety devices are damaged. Make the necessary replacements and repairs immediately.

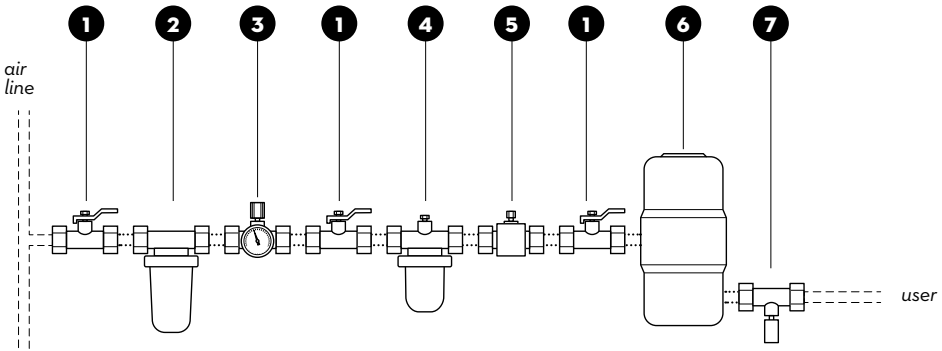
 **ATTENTION**

- The “**PIUSI P 3.5 - PIUSI P 5.5**” dispensing system is for professional use only.
- According to the current legislation, the “**PIUSI P 3.5 - PIUSI P 5.5**” dispensing system must be installed in premises that are sufficiently well-lit.
- It is compulsory to adhere completely to the safety and fire regulations in force in the place of installation.

Installation example

The diagram below provides an example of a possible configuration for the installation of the “**PIUSI P 3.5 - PIUSI P 5.5**” system. For support in designing a system, you need to consult qualified personnel.

- 1 · Bleed ball valve
- 2 · Filter
- 3 · Pressure regulator with pressure gauge - **Set to max. 7 bar** (mandatory)
- 4 · Lubricator
- 5 · Safety valve (mandatory)
- 6 · Pump casing
- 7 · Max. pressure safety valve



Fixing the dispensing system

Fix the pump casing securely to the wall (ST version) using a suitable bracket, or fix it to the lid of the drum (94O version), inserting it completely with pick-up hose and tightening the fixing screws. Then connect the pump to the air line, making sure that the components shown in the figure are present.



WARNING

- The air accessories must be fitted with suitable support brackets. The pump unit fittings can be damaged by the weight of the accessories in the line.
- Installations which fail to comply with diagram do not guarantee correct operation of the pump.
- Air delivery pressures over 7 bar may damage the pump and system.

Accessories required for safe use

For correct operation of the pump unit and to ensure operator safety, it is obligatory to fit devices designed to reduce the risk of injury by fluid injection, splashing, etc.

Bleed ball valve (necessary)



1 The circuit **MUST, OF NECESSITY**, be equipped with bleed ball valves upstream of the pump unit. These devices make it possible to close stretches of line and discharge the compressed air trapped in them. Trapped air can cause the pump to start suddenly and unexpectedly, with the consequent risk of severe injuries.

Max. pressure safety valve



7 The circuit **MUST NECESSARILY** be equipped with a max. pressure safety valve on the oil distribution system, immediately after the pump unit. The system makes it possible to discharge hazardous excess pressure caused by the thermal expansion of the fluid.

Pressure regulator with pressure gauge Safety valve

3 We recommend that you fit a pressure regulator with pressure gauge, so that you can monitor pump speed and pressure with complete ease.

5 Running the pneumatic motor too fast can cause serious damage. The presence of a safety valve ensures that the flow can be shut off if the set pressure is exceeded.

Lubricator

4 For applications involving intensive use, we recommend that you fit an automatic lubricator in the line so as to maximise the service life of the pneumatic motor. Use only oil for pneumatic tools or SAE10 engine oil. Set the lubricator to dispense a maximum of one drop every 10 minutes.

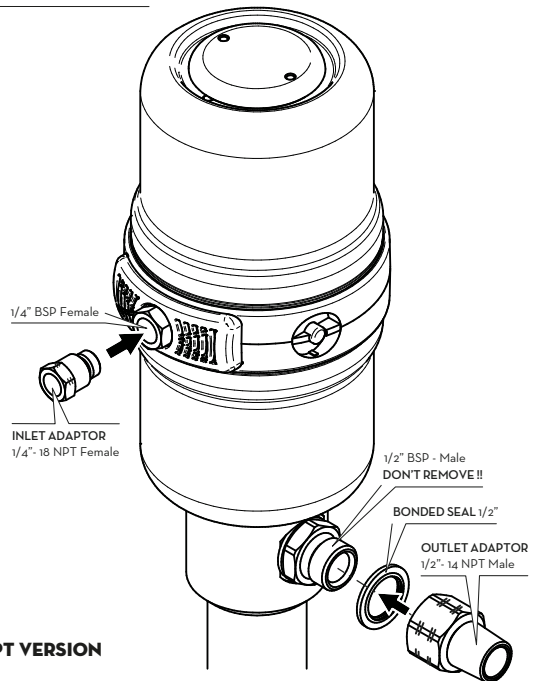
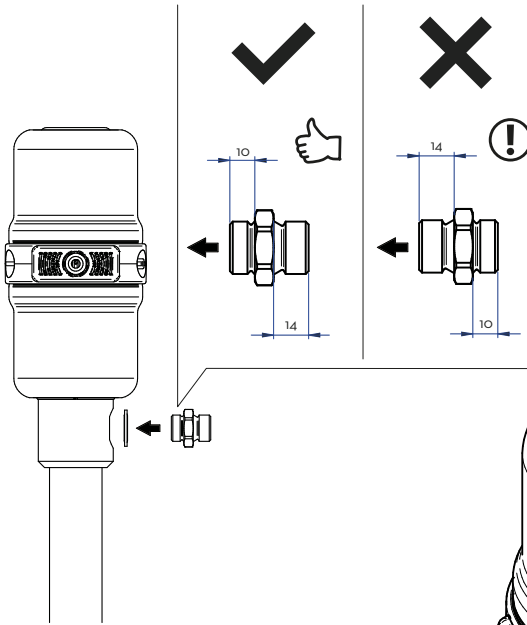
Filter

2 The presence of an air filter upstream of the pump unit helps remove dirt and contaminants, thus extending the service life of the pneumatic motor.



WARNING

Never operate the pump if it is not correctly installed and fixed. Doing so can cause serious damage to the device and fittings.

■ CORRECT NIPPLE ASSEMBLY**■ NPT VERSION**

13. OPERATION

First use

To make optimum use of the pneumatic pump, we strongly recommend that you follow the procedure set out below. This reduces risks for the operator. After installation of the product, the starting state must involve closure of all the ball valves in the air line, and closure of the dispensing device and the pressure regulator with pressure gauge.

Opening the air line

Keeping the pressure regulator in the closed position, open the air line ball valves in sequence. Then keep the dispensing valve open over a suitable metal container to receive the fluid from it once the system is primed. Take extreme care and keep the dispensing nozzle in contact with the wall of the container. We also recommend that you wear personal protective equipment.

Opening the pressure and priming

Slowly open the pressure regulator with pressure gauge, as gradually as possible. Monitor the pressure by means of the pressure gauge indicator and wait until you hear the pneumatic pump come into operation to allow priming. As soon as all the air in the fluid line has been expelled and the dispensing valve has started dispensing, close the dispensing valve.



NOTE

After initial priming, if the air line is open, opening the dispensing valve will immediately start the pneumatic pump. Closing the dispensing valve will stop the pneumatic pump.

Normal use

We recommend that you adjust the pressure to the minimum quantity of air necessary to obtain the desired dispensing results. Take the utmost care when adjusting the pressure.



WARNING

The system supplies fluids at high pressure, such a pressure as to be a source of danger for the operator. Supply with caution the first time, and in conditions of maximum safety, in order to acquire a correct perception of the operation of the system. Interrupt supply immediately if there are sparks or electrical discharge.



ATTENTION

Using the pump unit in a dry state, i.e. with no fluid or with insufficient fluid, can damage it irreparably. Dry pumping increases the operating speed of the pneumatic motor, resulting in overheating and possible failure.

If operating at low temperatures, we recommend that you use systems to protect against the formation of ice.

Don't shut off the air supply while the pump is working. For its correct working never go down below the declared pressure.

14. MAINTENANCE

Safety instructions The system is designed and manufactured to require minimal maintenance. Before carrying out any maintenance operation, it is imperative to decompress the dispensing system with the aid of the bleed ball valves. It is strictly forbidden to carry out any maintenance operation if the circuit contains compressed air capable of causing the pump to start suddenly.

Personal protective equipment (PPE) must be worn when carrying out maintenance work.

Take account of the following minimum recommendations for correct operation of the pump.

Authorised maintenance personnel

All maintenance must be performed by qualified personnel. *Tampering can lead to performance degradation, danger to persons and/or property and may result in the warranty being voided.*

Measures to be taken

Make sure that the label affixed to the dispensing system does not deteriorate over time or come off.

EVERY DAY:

- check that the hoses are in sound condition.

ONCE A YEAR:

- check the components of the air circuit.

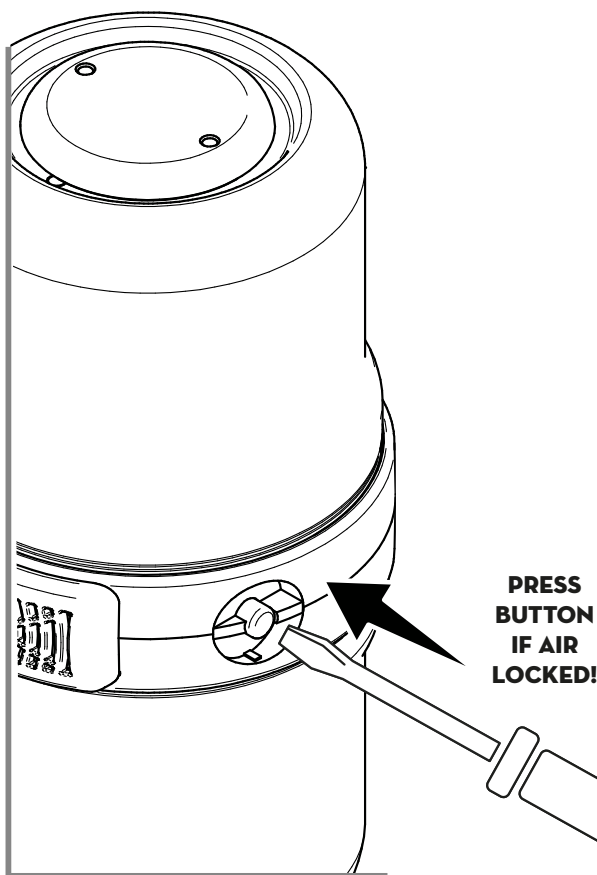
15. TROUBLESHOOTING



ATTENTION

Before carrying out any inspection or maintenance operations, shut off the air and discharge the pressure from the circuit by following the decompression procedure.

Problem	Possible cause	Corrective action
Pump does not work	Intake air pressure too low	Increase intake air pressure
	Air lines obstructed	Clean air lines
	Dispensing valves closed or obstructed	Open or clean dispensing valves
	Fluid lines or other components obstructed	Check that fluid lines and components are clean
	No fluid left in tank	Fill tank
Pump runs irregularly	Pneumatic motor damaged	Repair pneumatic motor
	Piston gaskets are worn	Replace worn gaskets
Continuous air leakage	No fluid left in tank	Fill tank
	Motor gaskets not sealing properly	Clean or replace motor gaskets
The pump does not start up and releases air from silencers	Pump stalled	Push the button RESET (see diagram after the table)



16. DEMOLITION AND DISPOSAL

- Foreword** If the system needs to be disposed, the parts which make it up must be delivered to companies that are specialized in the recycling and disposal of industrial waste. Inappropriate disposal of this waste may harm the environment and human health. Contravention of applicable legislation may result in sanctions.
- Disposing of packing materials** The packaging consists of biodegradable cardboard which can be delivered to companies for normal recycling of cellulose.
- Metal parts disposal** The metal parts, including painted parts, can normally be recovered by specialist scrap metal dealers.
- Miscellaneous parts disposal** Other components, such as hoses, rubber gaskets, plastic parts and wires, must be disposed of by companies specialising in the disposal of industrial waste.

FRANÇAIS

BULLETIN MO352 A

SOMMAIRE

1. Declaration CE de conformite	24
2. Consignes generales	25
3. Informations de securite et consignes de securite	26
4. Normes de secours	26
5. Consignes generales de securite	27
6. Emballage du systeme de distribution	28
7. Contenu de l'emballage/inspection preliminaire	28
8. Emplacement des elements d'information et de signalisation ..	29
9. Identification de la machine et du constructeur	30
10. Caracteristiques techniques	30
11. Usage prevu	32
12. Installation	33
13. Fonctionnement	37
14. Entretien	38
15. Diagnostic	39
16. Demolition et elimination	41

1. DECLARATION CE DE CONFORMITE

La société soussignée :

PIUSI S.p.A.

Via Pacinotti 16/A z.i. Rangavino
46029 Suzzara - Mantova - Italie

DECLARE

sous sa responsabilité que l'équipement décrit ci-après :

Description : pompe pneumatique à double effet pour la distribution d'huile.

Modèle : **PIUSI P 3.5 - PIUSI P 5.5**

Série : se référer au Numéro du lot repris sur la plaquette CE sous forme d'estampille au produit.

Année de fabrication : se référer au Numéro du lot repris sur la plaquette CE sous forme d'estampille au produit.

est conforme aux dispositions de loi qui transposent les directives :

· Directive Machines 2006/42/CE

La documentation est à la disposition de l'autorité compétente après requête motivée adressée à PIUSI S.p.A. ou en la demandant à l'adresse e-mail : doc_tec@piusi.com

La personne autorisée à constituer le fascicule technique et à rédiger la déclaration est *M. Otto Varini* en sa qualité de représentant légal.

Suzzara, 01/03/2020

Otto Varini
représentant légal



2. CONSIGNES GENERALES

Consignes importantes

Pour préserver la sécurité des opérateurs, éviter des endommagements au système de distribution. Avant de procéder à n'importe quelle opération sur le système de distribution, il est indispensable d'avoir lu et compris tout le manuel d'instructions.

Symboles utilisés dans le manuel

Le manuel reprend les symboles suivants pour mettre en évidence des indications et des consignes particulièrement importantes :



ATTENTION

Indique les situations dangereuses qui, si elles ne sont pas évitées, pourraient entraîner le décès ou de graves lésions.



AVERTISSEMENT

Ce symbole indique qu'il existe la possibilité d'endommager les appareils et/ou leurs composants.



REMARQUE

Ce symbole signale des informations utiles.

Conservation du manuel

Ce manuel doit rester intègre et complètement lisible car l'utilisateur final et les techniciens spécialisés autorisés à l'installation et à l'entretien doivent pouvoir le consulter en tout moment.

Droits de reproduction

Le présent manuel est la propriété de PIUSI S.p.A., qui est le propriétaire exclusif de tous les droits prévus par les lois applicables, y compris, à titre d'exemple, les règles en matière de droits d'auteur. Tous les droits découlant de ces règles sont réservés à PIUSI S.p.A. : la reproduction, même partielle, du présent manuel, sa publication, modification, transcription, communication au public, distribution, commercialisation sous quelque forme que ce soit, traduction et/ou son traitement ou son prêt et toutes autres activités sont réservés par la loi à PIUSI S.p.A. Tous les droits de reproduction de ce manuel sont réservés à PIUSI S.p.A. Le texte ne peut pas être utilisé sur d'autres documents imprimés sans l'autorisation écrite de PIUSI S.p.A.

© PIUSI S.p.A.

CE MANUEL EST LA PROPRIETE DE LA SOCIETE PIUSI S.p.A.
TOUTE REPRODUCTION, MEME PARTIELLE, EST STRICTEMENT INTERDITE.

3. INFORMATIONS DE SECURITE et CONSIGNES DE SECURITE

Vérifications préliminaires à l'installation

Avant de procéder à la mise en place, s'assurer de pouvoir installer le produit en un endroit ou lieu ventilé et exempt de tous dangers potentiels pour les opérateurs et les équipements.



ATTENTION

Une mauvaise ventilation ou une ventilation insuffisante, des flammes nues ou des étincelles peuvent créer des conditions dangereuses et provoquer des incendies ou des explosions ainsi que des lésions ou blessures graves. Le dispositif ne dispose pas d'une protection par enveloppe antidéflagrante. Le dispositif est conçu pour une installation à l'extérieur de toute zone présentant un risque d'explosion. Ne pas installer non plus le dispositif dans des zones où peuvent se trouver des vapeurs inflammables.

S'assurer que les tubes ne se trouvent pas à proximité de zones fréquentées, d'arêtes vives, de parties en mouvement ou de surfaces chaudes. Utiliser les tubes à une température comprise entre -40 °C et 82 °C.

Opération de contrôle et d'entretien

Avant toute intervention de contrôle ou d'entretien, fermer l'arrivée d'air et évacuer la pression du circuit en suivant la procédure de décompression et de purge appropriée.

Interdictions



ATTENTION

Il est strictement interdit de soutenir ou transporter le système au moyen des tuyaux qui y sont raccordés.

Le dispositif est conçu pour fournir des fluides à haute pression. Il est strictement interdit de pointer le flux sur une partie du corps car cela peut provoquer des lésions très graves.

4. NORMES DE SECOURS

Contact avec le produit

Pour tous problèmes consécutifs à une INJECTION, INHALATION, INGESTION ou dérivant du contact du produit avec les YEUX ou la PEAU, se référer à la FDS respective. Des fluides dangereux ou des fumées toxiques peuvent provoquer des lésions graves, voire mortelles.

Risque d'injection de fluides

Le fluide distribué peut être accidentellement injecté dans le corps de l'opérateur pour cause de fuites, de composants endommagés ou d'une utilisation impropre ou inappropriée. Le cas échéant, faire immédiatement appel à un médecin ou à un spécialiste. Communiquer au médecin ou au spécialiste le type exact de fluide injecté.

REMARQUE

Pour toute information spécifique, consulter les fiches relatives à la sécurité.

ATTENTION

Ne pas traiter la zone touchée comme s'il s'agissait d'une blessure légère. Demander l'intervention d'un médecin ou d'un spécialiste.

FR

5. CONSIGNES GENERALES DE SECURITE

ATTENTION




Ne pas faire fonctionner le dispositif si vous êtes fatigué ou sous l'emprise de drogues ou d'alcool. Ne pas quitter la zone de travail lorsque le dispositif est allumé et en fonctionnement. Ne pas altérer ou modifier le dispositif. Toute altération ou modification du dispositif peut entraîner la nullité des homologations et remettre en cause la sécurité. Tenir les enfants et les animaux à distance de la zone de travail. Respecter toutes les règles de sécurité en vigueur.

Caractéristiques essentielles de l'équipement de protection

Indosser un équipement de protection qui soit :

- approprié aux opérations à effectuer ;
- résistant aux produits employés pour le nettoyage.

Dispositifs de protection individuelle à endosser

-  chaussures de sécurité
-  gants de protection
-  vêtements tout près du corps
-  lunettes de sécurité
-  Manuel d'instructions

Gants de protection

Le contact prolongé avec le produit traité peut provoquer des irritations à la peau ; toujours utiliser des gants de protection pendant la distribution.



ATTENTION

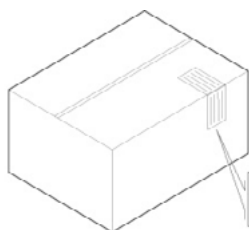
Risque dérivant des parties mobiles



Le dispositif comporte des parties mobiles pouvant provoquer des écrasements, des coupures ou l'amputation. Par conséquent, il faut toujours faire preuve de prudence et de bon jugement.

- Ne pas s'approcher des parties en mouvement lors de la mise en marche ou de l'utilisation du dispositif.
- Ne pas actionner le dispositif sans les carters protecteurs efficaces et en place.

6. EMBALLAGE DU SYSTEME DE DISTRIBUTION



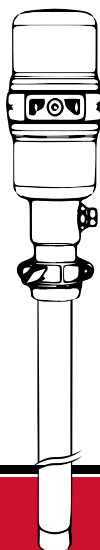
Le système de distribution est fourni emballé dans un carton sur lequel se trouve l'**étiquette** reprenant les informations de l'appareil (modèle, poids, etc.).

7. CONTENU DE L'EMBALLAGE/INSPECTION PRELIMINAIRE



modèle
PIUSI P 3.5 - ST
PIUSI P 5.5 - ST

Groupe pompe pour montage mural.



modèle
PIUSI P 3.5 - 940
PIUSI P 5.5 - 940

Groupe pompe avec tuyau d'aspiration pour montage sur fût.

Pour ouvrir la boîte en carton, utiliser des ciseaux ou un cutter en prenant garde de ne pas abîmer le dispositif ou ses composants. Déballez et contrôlez le bon état du dispositif et s'assurer qu'il ne manque rien.

ATTENTION

Vérifier que les données inscrites sur la plaque d'identification correspondent bien à celles désirées. En cas d'anomalie, appeler immédiatement le fournisseur pour lui signaler les différents types de défauts décelés et, en cas de doute sur la sécurité de l'équipement, renoncer à son utilisation.

REMARQUE

Dans le cas où il manquerait un ou plusieurs composants décrits, appeler immédiatement le SAV PIUSI S.p.A.

FR

8. EMPLACEMENT DES ELEMENTS D'INFORMATION ET DE SIGNALISATION

Une étiquette adhésive est apposée sur le système de distribution, indiquant à l'opérateur les informations les plus importantes qu'il faut savoir sur ledit système de distribution. Il faut toujours vérifier que l'étiquette soit en bon état et parfaitement lisible et qu'elle ne soit pas décollée. L'étiquette indique les informations suivantes concernant l'utilisation :

REMARQUE

Si l'étiquette est détériorée, même partiellement, ou si aucune étiquette n'est apposée sur le système de distribution, appeler le SAV PIUSI S.p.A. pour l'envoi d'une étiquette de remplacement.



vêtements tout près du corps



gants de protection



Consulter le manuel d'utilisation et d'entretien



lunettes de sécurité



chaussures de sécurité

WARNING

Do not exceed the maximum air pressure of the pump.

MADE IN ITALY

ATTENTION

Wear appropriate protective equipment to help prevent serious injury.

Indossare dispositivi di protezione adeguati per prevenire gravi infortuni.

En outre, sur la partie inférieure du corps de pompe ou sur le tuyau d'aspiration est présente une marque d'identification sous forme d'estampille fournissant les informations sur le produit.

PIUSI SPA - MADE IN ITALY
PIUSI P 5.5 - ST FOO21401A
SERIAL N. 0123456789
CE EAC



9. Identification de la machine et du constructeur

Le système de distribution porte une marque d'identification directement estampillée sur la pompe, fournissant les informations suivantes :

- modèle ;
- code d'identification du produit ;
- numéro du lot.



ATTENTION

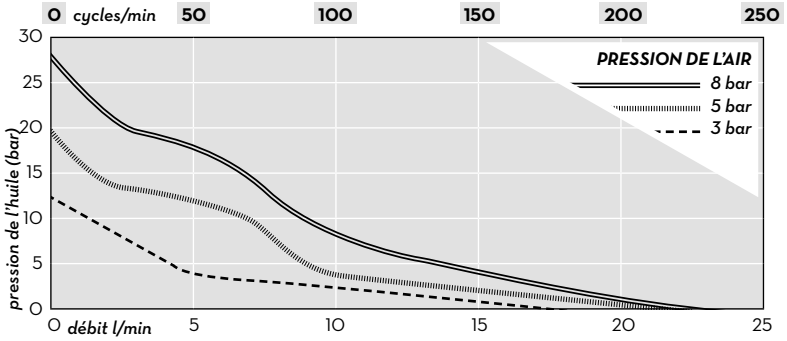
Toujours s'assurer avant l'installation que le modèle de système de distribution est correct.

10. CARACTERISTIQUES TECHNIQUES

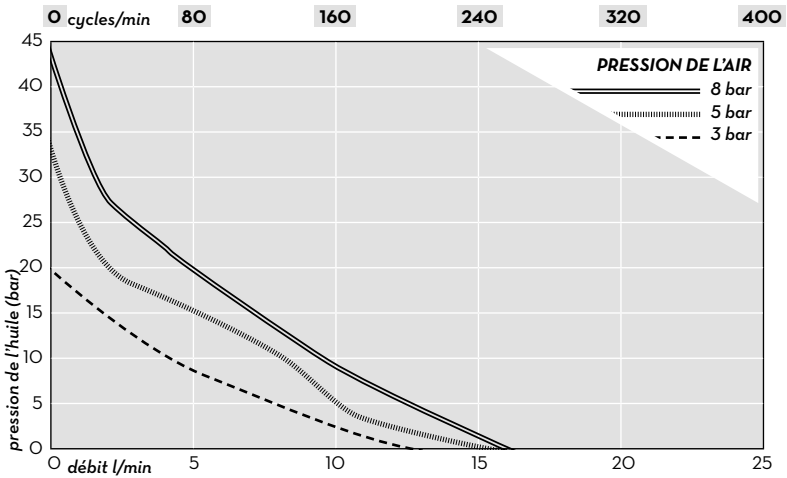
	P 3.5 - ST FOO214000	P 3.5 - 940 FOO214020	P 5.5 - ST FOO214010	P 5.5 - 940 FOO214030
Taux de compression	3.5:1	3.5:1	5.5:1	5.5:1
Pression de l'air	3-8 bar 43.5-116 psi	3-8 bar 43.5-116 psi	3-8 bar 43.5-116 psi	3-8 bar 43.5-116 psi
Filetage arrivée d'air	1/4" G	1/4" G	1/4" G	1/4" G
Filetage arrivée d'huile	1" G	1" G	1" G	1" G
Filetage sortie d'huile	1/2" G	1/2" G	1/2" G	1/2" G
Débit à sortie libre (8 bars)	21,5 l/min 5.7 USgal/min	21,5 l/min 5.7 USgal/min	15,5 l/min 4.1 USgal/min	15,5 l/min 4.1 USgal/min
Diamètre du tuyau d'aspiration	-	42 mm	-	50 mm
Longueur du tuyau d'aspiration	175 mm	940 mm	175 mm	940 mm
Longueur totale	445 mm	1210 mm	445 mm	1210 mm
Bague de fixation	2" G	2" G	2" G	2" G
Pression de l'air	3-7 bar 43.5-101.5 psi	3-7 bar 43.5-101.5 psi	3-7 bar 43.5-101.5 psi	3-7 bar 43.5-101.5 psi

**SAE 20 (ISO VG68) OIL
t=18°C**

P 3.5 - ST P 3.5 - 940



P 5.5 - ST P 5.5 - 940



11. USAGE PREVU

Usage prévu

Le système de distribution “**PIUSI P 3.5 - PIUSI P 5.5**” a été conçu et construit pour la distribution d’huile de lubrification.

Conditions d’utilisation

Le système de distribution “**PIUSI P 3.5 - PIUSI P 5.5**” doit être utilisé dans les conditions suivantes :

- pression de l’air en entrée : 3-7 bars ;
- pression max. d’utilisation : 55 bars ;
- s’assurer que la pompe fonctionne dans sa plage de fonctionnement nominal.

Liquides inflammables et atmosphère explosive



ATTENTION

Le système “**PIUSI P 3.5 - PIUSI P 5.5**” n’a pas été conçu pour la distribution de gazole, d’essence, de liquides inflammables, dont le point d’éclair est <55°C / 131°F, ou pour fonctionner en atmosphères potentiellement explosives. Par conséquent, l’utilisation dudit système de distribution dans les conditions susmentionnées est interdit.

Usage proscrit

Il est absolument interdit d’utiliser le système pour des usages autres que ceux prévus et spécifiés au point “Usage prévu”.

Tout usage autre que celui pour lequel le système a été conçu et décrit dans ce manuel est considéré comme “USAGE IMPROPRE”. Raison pour laquelle, PIUSI S.p.A. ne saurait être tenue pour responsable des dommages éventuels causés à des personnes, aux choses et animaux, ainsi qu’au système lui-même.

12. INSTALLATION

Avant-propos

Le système de distribution “**PIUSI P 3.5 - PIUSI P 5.5**” a été conçu et prévu pour un montage mural (versions ST) ou pour un montage direct sur fût (versions 94O). En tous cas, une fixation stable et sûre doit être garantie.

Personnel autorisé à effectuer la mise en place



ATTENTION

Il est absolument interdit de remplacer le mamelon de refoulement d'huile par d'autres raccords du commerce.

Les opérations d'installation ne doivent être effectuées que par un personnel compétent et autorisé, qui doit entre autres :

- installer le système en un endroit sec et bien ventilé ;
- monter correctement les accessoires nécessaires au bon fonctionnement de la pompe.



ATTENTION

Il est strictement interdit d'apporter une modification quelconque au dispositif de distribution. PIUSI S.p.A. ne saurait être tenue pour responsable des dommages éventuels causés à des personnes, aux choses ou à l'environnement, dérivant du non-respect de cette prescription. L'installateur a la responsabilité d'équiper le système avec les accessoires nécessaires pour un fonctionnement sûr et correct du dispositif. Le choix d'accessoires non adaptés à l'utilisation peut provoquer des dommages, parfois graves, au dispositif et/ou aux personnes. Ne pas utiliser le dispositif si des pièces importantes de ce dernier, accessoires ou dispositifs de sécurité, sont endommagés. Pour voir immédiatement aux remplacements et réparations nécessaires.



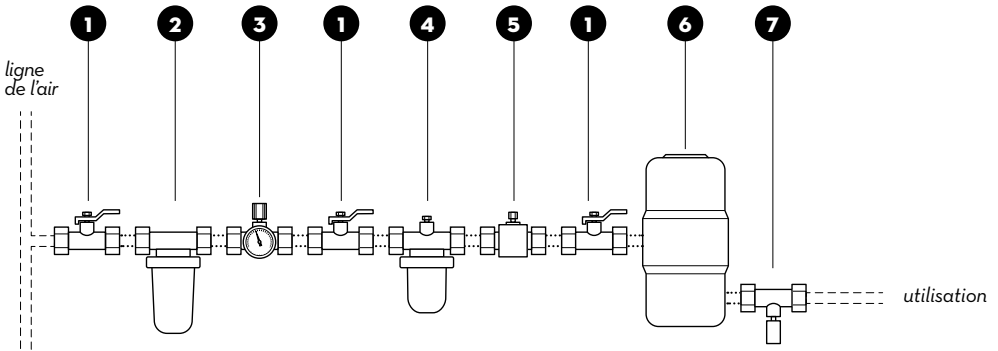
AVERTISSEMENT

- Le système de distribution “**PIUSI P 3.5 - PIUSI P 5.5**” est destiné exclusivement à un usage professionnel.
- Le système de distribution “**PIUSI P 3.5 - PIUSI P 5.5**” doit être installé dans un endroit suffisamment éclairé conformément à la réglementation en vigueur.
- Il est obligatoire de suivre complètement et rigoureusement la réglementation en matière de sécurité incendie en vigueur dans le lieu d'installation.

Exemple d'installation

Le schéma ci-dessous représente à titre d'exemple un type possible d'installation du système "PIUSI P 3.5 - PIUSI P 5.5". Pour l'assistance opérationnelle pendant la phase de conception, il faut faire appel à un personnel qualifié.

- 1 · Vanne à boisseau ou tournant sphérique avec purge
- 2 · Filtre
- 3 · Réducteur de pression avec manomètre - **Régler à 7 bar maxi.**
(composant obligatoire)
- 4 · Lubrificateur
- 5 · Soupape de sûreté (composant obligatoire)
- 6 · Corps de pompe
- 7 · Vanne de sécurité pression maxi.



Fixation du système de distribution

Fixer solidement le corps de pompe sur le mur (version ST) à l'aide de brides ou pattes de fixation appropriées ou fixer la pompe directement sur le fût (version 940) munie du tuyau d'aspiration en utilisant ses vis de fixation. Connecter ensuite la pompe à la ligne de l'air, en s'assurant du montage de tous les composants indiqués en figure.



ATTENTION

- Les accessoires de l'air doivent être montés en utilisant des pattes de support appropriées. Tous les raccords du groupe pompe peuvent s'endommager sous l'effet du poids des éléments en ligne.
- Des installations non conformes au schéma ne garantissent pas le fonctionnement correct de la pompe.
- Des pressions d'alimentation de l'air supérieures à 7 bar pourraient endommager la pompe et l'installation.

Accessoires nécessaires pour une utilisation sécuritaire du système

Vanne à boisseau ou tournant sphérique avec purge (nécessaire)



Pour un fonctionnement correct du groupe pompe, et donc pour la sécurité de l'opérateur, il faut impérativement installer des dispositifs pouvant diminuer le risque de lésions par injection de fluide, de projections ou autre.

1 Le circuit **DOIT NÉCESSAIREMENT** être équipé d'une vanne à boisseau ou tournant sphérique avec purge en amont du groupe pompe. Cet organe permet la fermeture de tronçons de ligne et l'évacuation de l'air comprimé emprisonné dans ceux-ci. L'air emprisonné peut déclencher la mise en marche imprévue de la pompe et provoquer des lésions graves.

Clapet de sécurité pression maximale



7 Le circuit **DOIT NÉCESSAIREMENT** être doté d'un clapet de sécurité de pression maximale, sur l'installation de distribution d'huile, tout de suite après le groupe pompe. Le système permet de décharger l'excès de pression dû à la dilatation thermique du fluide.

Réducteur de pression avec manomètre Soupape de sûreté

3 Il est conseillé d'installer un réducteur de pression muni d'un manomètre pour contrôler avec rapidité et facilité la pression de la pompe.

5 Les composants du système pourraient subir des dommages mêmes graves au cas où le moteur pneumatique fonctionnerait à des vitesses élevées. La présence d'une soupape de sûreté garantit dans ce cas l'interception du débit en cas de dépassement de la pression préétablie.

Lubrificateur

4 Dans le cas de conditions d'utilisation intensives, il est conseillé de prévoir dans la ligne de l'air un lubrificateur automatique pour garantir une plus longue durée de vie du moteur pneumatique. Utiliser exclusivement de l'huile pour outils pneumatiques ou de l'huile moteur SAE10. Réguler la distribution à un maximum d'une goutte toutes les 10 minutes.

Filtre

2 La présence d'un filtre à air en amont du groupe pompe permet d'éliminer toutes les saletés ou impuretés et les contaminants, augmentant ainsi la durée de vie du moteur pneumatique.

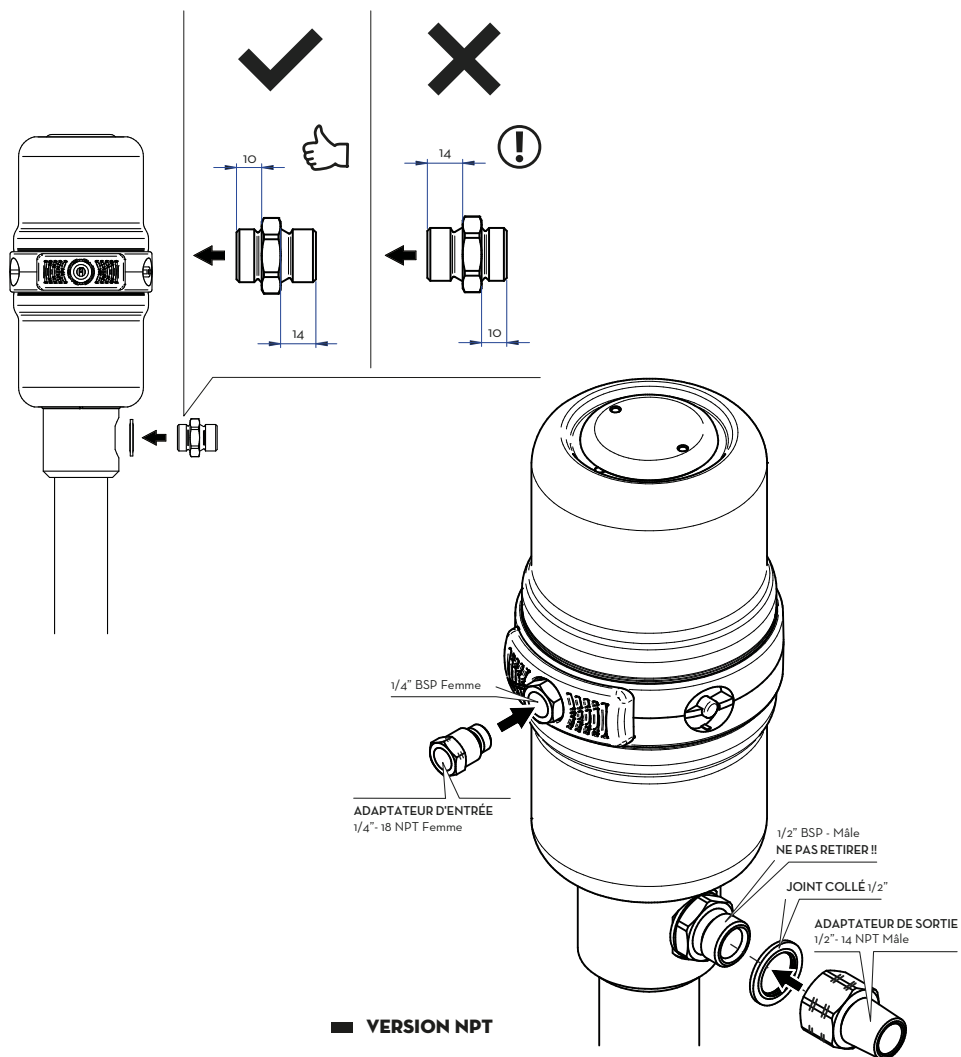


ATTENTION

Ne jamais actionner la pompe si celle-ci n'est pas correctement montée et fixée. Le fonctionnement de la pompe dans les conditions ci-dessus peut endommager le dispositif et les raccords.

FR

■ **ASSEMBLAGE CORRECT DE LA NIPPL**



■ **VERSION NPT**

13. FONCTIONNEMENT

Première mise en service

Pour utiliser la pompe pneumatique de manière optimale, il est vivement conseillé de respecter la procédure décrite ci-dessous. Cette procédure permet de réduire les risques pour l'opérateur. La condition de départ après l'installation du système, prévoit la fermeture de toutes les vannes à boisseau ou tournant sphérique sur la ligne de l'air, ainsi que la fermeture du dispositif de distribution et du réducteur de pression avec manomètre.

Ouverture de la ligne de l'air

Tout en maintenant le régulateur de pression en position "fermé", ouvrir en séquence les vannes à boisseau ou tournant sphérique de la ligne de l'air. Maintenir ensuite le dispositif de distribution ouvert dans un récipient métallique d'une capacité suffisante à recueillir le fluide une fois aspiré. Faire très attention en maintenant la buse de distribution en contact avec la paroi du récipient. Ici encore on ne saurait trop recommander le port d'EPI.

Ouverture de la pression et aspiration du fluide

Ouvrir lentement et le plus progressivement possible le régulateur de pression avec manomètre. Surveiller constamment la pression avec l'indicateur du manomètre et attendre de percevoir l'amorçage de la pompe pneumatique pour permettre l'aspiration du fluide. Aussitôt que tout l'air contenu dans la ligne du fluide a été expulsé et que la valve distributrice a commencé à distribuer, fermer la valve distributrice.



REMARQUE

Après la première aspiration du fluide, il suffit que la ligne de l'air soit ouverte pour que l'ouverture de la valve distributrice entraîne l'actionnement immédiat de la pompe pneumatique. La fermeture de la valve distributrice provoque l'arrêt de fonctionnement de la pompe pneumatique.

Fonctionnement normal

Il est conseillé de réguler la pression sur la quantité d'air minimum suffisante pour l'obtention de la distribution désirée. Il est recommandé d'effectuer la régulation de la pression avec une grande attention.



ATTENTION

Le système fournit des fluides à haute pression et peut donc constituer un danger pour l'opérateur. Il est recommandé d'exécuter la première distribution avec précaution et dans des conditions de sécurité maximales, de manière à comprendre parfaitement le fonctionnement de l'installation. Interrompre immédiatement la distribution en présence d'étincelles ou de décharges électriques.



AVERTISSEMENT

Le fonctionnement du groupe pompe à sec, en absence de fluide ou avec une faible quantité de fluide peut irrémédiablement endommager celui-ci. Le pompage à sec conduit à une augmentation de la vitesse de la course du moteur pneumatique, avec pour conséquence sa surchauffe et sa rupture possible.

Par températures de fonctionnement basses ou très basses, il est conseillé de prévoir des dispositifs ou systèmes de protection contre la formation de givre ou glace.

Il est recommandé de ne pas fermer l'alimentation de l'air si la pompe fonctionne encore. Pour garantir le fonctionnement correct de la pompe, ne jamais descendre en dessous de la pression min. nominale.

14. ENTRETIEN

Consignes de sécurité

Le système de distribution a été conçu et construit pour ne nécessiter que peu d'entretien.

Avant d'effectuer une opération d'entretien quelconque, il faut procéder à la décompression du système de distribution à l'aide des vannes à boisseau ou tournant sphérique avec purge. Toute opération d'entretien est interdite en présence d'air comprimé dans le circuit pouvant provoquer l'actionnement imprévu de la pompe.

Le port d'équipements de protection individuelle (EPI) est obligatoire pour effectuer les opérations d'entretien.

Pour le bon fonctionnement de la pompe, il faut néanmoins suivre les recommandations simples proposées ci-après.

Personnel autorisé à effectuer les opérations d'entretien

Les opérations d'entretien doivent être exclusivement effectuées par un personnel spécialisé. **Toute modification ou altération du système peut comporter non seulement la dégradation des performances et des risques pour les personnes et/ou les choses, mais aussi la déchéance de la garantie.**

Personnel autorisé à effectuer les opérations d'entretien

Les opérations d'entretien doivent être exclusivement effectuées par un personnel spécialisé. *Toute modification ou altération du système peut comporter non seulement la dégradation des performances et des risques pour les personnes et/ou les choses, mais aussi la déchéance de la garantie.*

Opérations à effectuer

Toujours vérifier que l'étiquette apposée sur le système ne soit pas décollée, qu'elle soit lisible et en parfait état.

TOUS LES JOURS : contrôler l'état apparent des flexibles.

UNE FOIS PAR ANNÉE : réviser les composants du circuit de l'air.

FR

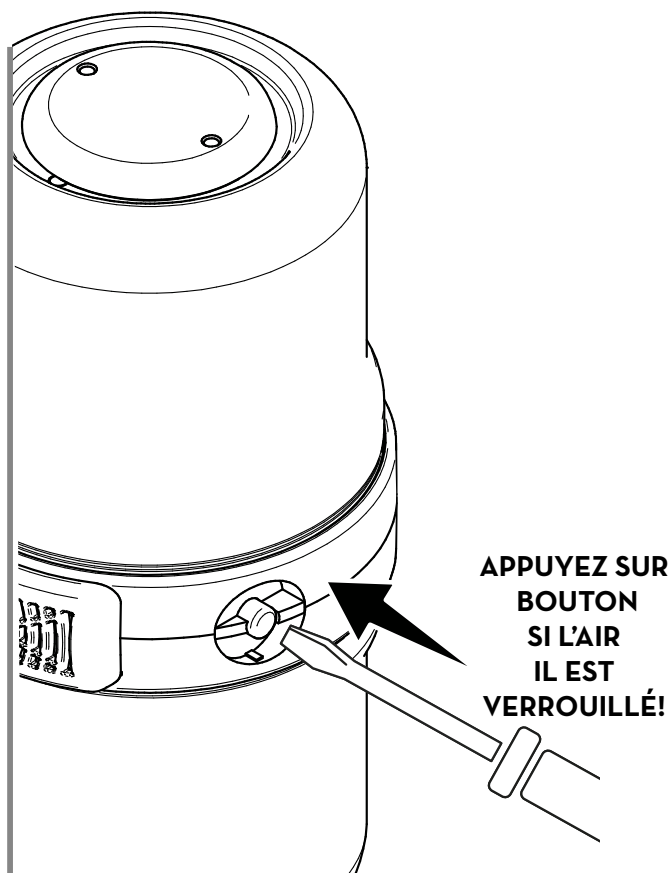
15. DIAGNOSTIC



AVERTISSEMENT

Avant d'effectuer un contrôle ou une opération d'entretien quelconque, toujours fermer et décharger la pression du circuit en respectant la procédure de décompression décrite dans ce manuel.

Problème	Cause possible	Correction
Le moteur ne tourne pas	Pression insuffisante de l'air en entrée	Augmenter la pression de l'air en entrée
	Lignes de l'air obstruées	Nettoyer les lignes de l'air
	Valves distributrices fermées ou obstruées	Ouvrir les valves distributrices ou les nettoyer
	Lignes du fluide ou autres composants obstrués	Vérifier l'état de propreté des lignes du fluide et des composants
	Épuisement du fluide dans le réservoir	Remplir le réservoir
La pompe fonctionne irrégulièrement	Moteur pneumatique endommagé	Réparer le moteur pneumatique
	Usure des segments du piston	Remplacer les segments abîmés
Fuites d'air permanentes	Épuisement du fluide dans le réservoir	Remplir le réservoir
	Étanchéité insuffisante des joints du moteur	Nettoyer ou remplacer les joints du moteur
La pompe ne se met pas en fonction et perd air du silencieux	Pompe bloquée	Presser jusqu'au fond le bouton RESET (voir schéma ci-dessous)



16. DEMOLITION ET ELIMINATION

- Avant-propos** En cas de démolition du système, ses parties devront être confiées à des entreprises spécialisées dans l'élimination et le recyclage des déchets industriels.
- Élimination de l'emballage** L'emballage est constitué par du carton biodégradable qui peut être confié aux entreprises s'occupant de la récupération de la cellulose.
- Élimination des parties métalliques** Les parties métalliques, aussi bien celles qui sont vernies que celles en acier inox, sont normalement récupérables par les entreprises spécialisées dans le secteur de la démolition des métaux.
- Élimination des autres parties** Les autres parties qui constituent le distributeur, comme les tuyaux, les joints en caoutchouc, les parties en plastique et les câbles, doivent être confiées à des entreprises spécialisées dans l'élimination des déchets industriels.

DEUTSCH

BULLETIN MO352 A

INHALTSVERZEICHNIS

1. EG-konformitätsärklerin	44
2. Allgemeine wahrhinweise	45
3. Sicherheitsanleitungen und sicherheitshinweise	46
4. Erste-hilfe-massnahme	46
5. Allgemeine sicherheitsvorschriften	47
6. Verpackung des zapfsystems	48
7. Verpackungsinhalt/vorherige inspektion	48
8. Position der informationselemente	49
9. Angaben zu maschine und hersteller	50
10. Technische eigenschaften	50
11. Bestimmungszweck	52
12. Installation	53
13. Betrieb	57
14. Wartung	58
15. Fehlersuche	59
16. Demontage und entsorgung	61

1. EG-KONFORMITÄTSÄRKLERUN

Die unterzeichnete Firma:

PIUSI S.p.A.

Via Pacinotti 16/A z.i. Rangavino
46029 Suzzara - Mantova - Italien

ERKLÄRT

auf ihre eigene Verantwortung, dass das folgend beschriebene Gerät:
Bezeichnung: doppeltwirkende Druckluftpumpe für die Abgabe von Ölen.

Modell: **PIUSI P 3.5 - PIUSI P 5.5**

Maschinennummer: siehe Losnummer auf dem am Produkt angebrachten CE
Typenschild.

Baujahr: siehe Losnummer auf dem am Produkt angebrachten CE Typenschild.

den Gesetzesbestimmungen entspricht, die folgende Richtlinien umsetzen:

- Maschinenrichtlinie 2006/42/EG

Die Dokumentation steht der zuständigen Behörde auf begründetes Verlangen
bei der Firma PIUSI S.p.A. oder Beantragung unter der E-Mail Adresse:
doc_tec@piusi.com zur Verfügung.

Die zur Erstellung des technischen Heftes und Abfassung der Erklärung
autorisierte Person ist *Herr Otto Varini* in seiner Eigenschaft als gesetzlicher
Vertreter.

Suzzara, 01/03/2020

Otto Varini
gesetzlicher Vertreter






2. ALLGEMEINE WAHRHINWEISE

Wichtige Hinweise

Vor der Ausführung irgendwelcher Vorgänge am Zapfsystem sowie zur Wahrung der Unversehrtheit der Bediener und Vermeidung eventueller Beschädigungen des Zapfsystems ist es unerlässlich, dass die ganze Betriebsanleitung zur Kenntnis genommen wurde.

Im Handbuch angewandte Symbole.

Zur Hervorhebung besonders wichtiger Anweisungen und Warnungen erscheinen folgende Symbole im Handbuch:

 ACHTUNG	 WARNUNG	 HINWEIS
Dieser Hinweis steht bei Gefahrensituationen, die vermieden werden müssen, um schwere Unfälle mit tödlichen Folgen oder schweren Sachschäden zu vermeiden.	Dieses Symbol verweist auf die Möglichkeit, dass die Geräte und/oder deren Bauteile beschädigt werden können.	Dieses Symbol verweist auf <i>nützliche Informationen.</i>



Aufbewahrung des Handbuchs

Alle Teile vorliegenden Handbuchs müssen unversehrt und leserlich sein. Der Endverbraucher und die mit der Installation und Wartung beauftragten Fachleute müssen jederzeit darin nachschlagen können.

Vervielfältigungsrechte

Dieses Handbuch ist Eigentum der Firma PIUSI S.p.A., der auch alle gesetzlichen Ansprüche, wie beispielsweise die urheberrechtlichen Normen angehören. Alle aus diesen Normen entstehenden Ansprüche sind Eigentum der Firma PIUSI S.p.A.: Die auch teilweise Vervielfältigung dieses Handbuchs, dessen Veröffentlichung, Änderung, Abschrift, Weiterleitung an Dritte, Verteilung, Kommerzialisierung in jeglicher Form, Übersetzung bzw. Verarbeitung, Ausleihung sowie jegliche andere Aktivität sind rechtlich ausschließlich der Firma PIUSI S.p.A. vorbehalten. Alle Vervielfältigungsrechte dieses Handbuchs sind der Firma PIUSI S.p.A. vorbehalten. Ohne schriftliche Genehmigung seitens der Firma PIUSI S.p.A. darf der Text nicht für andere Druckschriften verwendet werden.

© PIUSI S.p.A.
 DAS VORLIEGENDE HANDBUCH IST EIGENTUM DER FIRMA PIUSI S.p.A. JEDE, AUCH TEILWEISE, VERVIELFÄLTIGUNG IST VERBOTEN.

3. SICHERHEITSANLEITUNGEN UND SICHERHEITSHINWEISE

Kontrollen vor der Installation Stellen Sie sicher, dass der Installationsstandort des Produkts ausreichend belüftet ist und keinerlei Gefahren für Personal sowie Ausrüstung aufweist.



ACHTUNG

Eine unzureichende Belüftung sowie offene Flammen oder Funken stellen Gefährdungen dar und können Brände, Explosionen und schwere Verletzungen verursachen.

Die Vorrichtung ist nicht explosionsgeschützt. Sie muss daher außerhalb von explosionsgefährdeten Bereichen installiert werden. Die Installation in Bereichen mit entzündlichen Dämpfen ist verboten. Vergewissern Sie sich, dass die Schlauchleitungen nicht in der Nähe verkehrsstarker Bereiche, scharfer Kanten, beweglicher Teile oder heißer Oberflächen verlegt werden. Verwenden Sie die Schlauchleitungen bei einer Temperatur zwischen -40°C und 82°C.

Prüf- und Wartungseingriffe Vor jeglichem Kontroll- oder Wartungseingriff immer die Luftzufuhr schließen, und den Druck aus dem Kreislauf entweichen lassen. Hierzu den geeigneten Vorgang für die Druckentlastung und Entwässerung verfolgen.

Verbote



ACHTUNG

Es ist absolut verboten, das System an den angeschlossenen Leitungen zu ziehen oder zu transportieren.

Die Vorrichtung wurde für das Beschicken mit unter Hochdruck stehender Flüssigkeit entworfen. Den Flüssigkeitsstrahl nie auf Körperteile ausrichten, da schwere Verletzungsgefahr entsteht.

4. ERSTE-HILFE-MASSNAHME

Produktkontakt Für Fragen im Zusammenhang mit INJEKTION, EINATMEN, VERSCHLUCKEN oder AUGEN- bzw. HAUTKONTAKT des Produkts wird auf das betreffende Sicherheitsdatenblatt verwiesen. Gefährliche Flüssigkeiten oder giftige Rauchgase können schwerwiegende oder tödliche Verletzungen hervorrufen.

Injektionsgefahr von Flüssigkeiten

Die abgegebene Flüssigkeit kann infolge von Lecks, beschädigten Komponenten oder unsachgemäßer Verwendung in den Körper des Personals eindringen.

Ein derartiger Vorfall erfordert sofortige ärztliche Hilfeleistung durch Personal mit medizinischer Ausbildung. Das medizinische Personal über die Art der injizierten Flüssigkeit informieren.



HINWEIS

Spezifische Informationen aus den Sicherheitsdatenblättern des Produkts entnehmen.



ACHTUNG

Den Bereich der eingedrungenen Flüssigkeit nicht als einfache Wunde behandeln. Den Notarzt verständigen.



5. ALLGEMEINE SICHERHEITSVORSCHRIFTEN



ACHTUNG

Die Vorrichtung nie nach Verzehr von Alkohol oder Drogen bzw. wenn man müde ist, in Betrieb setzen. Die Vorrichtung nie unbeaufsichtigt in Betrieb oder eingeschaltet lassen. Die Vorrichtung nicht verändern oder umbauen. Veränderungen oder Umbauarbeiten an der Vorrichtung machen die Zulassungen ungültig und stellen die Betriebssicherheit in Frage. Kinder und Tiere fern halten. Alle geltenden Sicherheitsnormen sind strengstens zu beachten.

Wesentliche Eigenschaften der Schutzausrüstung

Den folgenden Informationen entsprechende Schutzausrüstungen tragen:

- geeignet für die auszuführenden Vorgänge;
- reinigungsmittel-beständig.

Zu tragende persönliche Schutzausrüstungen



Unfallverhütungsschuhe



Schutzhandschuhe



Am Körper anliegende Kleidung



Schutzbrille



Betriebsanleitung

**Sicherheits-
handschuhe**

Verlängerter Kontakt zu behandeltem Produkt kann zu Hautreizungen führen: Während der Abgabe daher stets Sicherheitshandschuhe tragen.



ACHTUNG

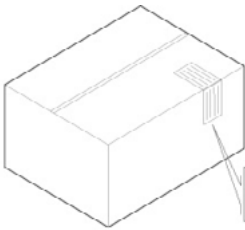
**Gefahr durch
Bewegungsteile**



Die Vorrichtung beinhaltet Bewegungsteile, die Quetschungen, Schnitte oder Amputationen verursachen können. Größte Vorsicht ist daher geboten.

- Treten Sie beim Start oder dem Betrieb der Vorrichtung nicht an die Bewegungsteile heran.
- Betätigen Sie die Vorrichtung nicht ohne Schutzeinhausungen.a

6. VERPACKUNG DES ZAPFSYSTEMS



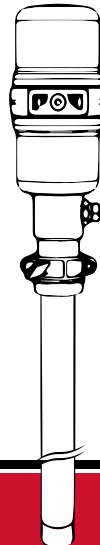
Das Zapfsystem wird in einem Karton geliefert, mit einem **Etikett**, auf dem alle auf die Ausrüstung bezogenen Informationen angegeben sind (Modell, Gewicht, usw.)

7. VERPACKUNGSINHALT/VORHERIGE INSPEKTION



Modell
PIUSI P 3.5 - ST
PIUSI P 5.5 - ST

Pumpe für
Wandbefestigung.



Modell
PIUSI P 3.5 - 940
PIUSI P 5.5 - 940

Pumpe mit
Anfüllrohr für
Fassbefestigung.

Schneiden Sie den Karton mit einer Schere oder einem Messer auf und achten Sie darauf, hierbei nicht die Vorrichtung und ihre Komponenten zu beschädigen. Packen Sie die Vorrichtung aus und überprüfen Sie, ob alle zum Lieferumfang gehörenden Komponenten enthalten sind.

! ACHTUNG

Überprüfen Sie die Entsprechung der Daten am Typenschild mit Ihrer Bestellung. Setzen Sie sich bei Probleme umgehend mit dem Lieferanten unter Angabe der festgestellten Mängel in Verbindung und verwenden Sie die Vorrichtung nicht, sollten Sie Zweifel an ihrer Sicherheit haben.

+ HINWEIS

Sollten eine oder mehrere Komponenten nicht in der Verpackung enthalten sein, kontaktieren Sie die bitte den technischen PIUSI S.p.A. Kundendienst.






DE

8. POSITION DER INFORMATIONSELEMENTE

Am Abgabesystem ist ein Aufkleber mit Angabe der wichtigsten Informationen für das Personal angebracht. Stellen Sie sicher, dass sich der Aufkleber mit der Zeit nicht löst oder beschädigt wird. Am Aufkleber finden Sie folgende Gebrauchsinformationen:

+ HINWEIS

Sollte der Aufkleber fehlen oder auch teilweise beschädigt sein, fordern Sie umgehend bei unserem Kundendienst die Zusendung des Ersatzaufklebers an.

-  Atm Körper anliegende Kleidung
-  Schutzhandschuhe
-  Schutzbrille
-  Unfallverhütungsschuhe
-  *In der Betriebs- und Wartungsanleitung nachschlagen*



! WARNING	MADE IN ITALY	ATTENTION	
Do not exceed the maximum air pressure of the pump. Not for use with windshield washer fluid, petrol or other explosive liquids.		Wear appropriate protective equipment to help prevent serious injury. Indossare dispositivi di protezione adeguati per prevenire gravi infortuni.	

Aufdruck an der Unterseite der Pumpe bzw. am Anfüllrohr mit Informationen über die Vorrichtung.

PIUSI SPA - MADE IN ITALY
PIUSI P 5.5 - ST FOO21401A
SERIAL N. O123456789
CE EAC

9. ANGABEN ZU MASCHINE UND HERSTELLER

Das Abgabesystem ist durch eine direkt an der Pumpe aufgedruckte Kennzeichnung mit folgenden Informationen identifiziert:

- Modell;
- Kennung des Produkts;
- Nummer des Produktionsloses.



ACHTUNG

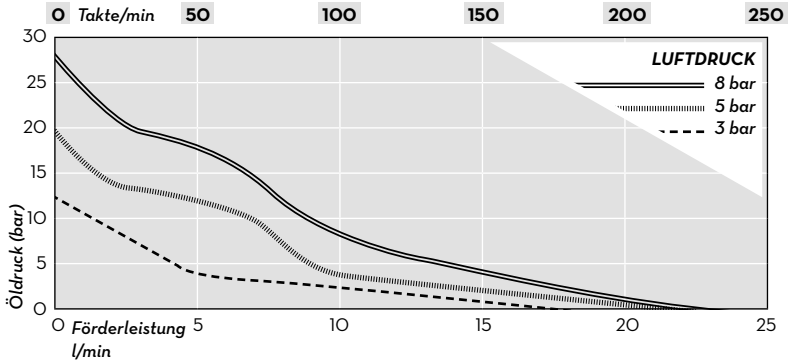
Überprüfen Sie vor der Installation, ob das Modell des Abgabesystems korrekt ist.

10. TECHNISCHE EIGENSCHAFTEN

	P 3.5 - ST FOO214000	P 3.5 - 940 FOO214020	P 5.5 - ST FOO214010	P 5.5 - 940 FOO214030
Verdichtungsverhältnis	3.5:1	3.5:1	5.5:1	5.5:1
Luftdruck	3-8 bar 43.5-116 psi	3-8 bar 43.5-116 psi	3-8 bar 43.5-116 psi	3-8 bar 43.5-116 psi
Lufteinlass-Gewinde	1/4" G	1/4" G	1/4" G	1/4" G
Öleinlass-Gewinde	1" G	1" G	1" G	1" G
Ölauslass-Gewinde	1/2" G	1/2" G	1/2" G	1/2" G
Förderleistung bei freiem Auslass (8 bar)	21,5 l/min 5.7 USgal/min	21,5 l/min 5.7 USgal/min	15,5 l/min 4.1 USgal/min	15,5 l/min 4.1 USgal/min
Durchmesser Anfüllrohr	-	42 mm	-	50 mm
Länge Anfüllrohr	175 mm	940 mm	175 mm	940 mm
Gesamtlänge	445 mm	1210 mm	445 mm	1210 mm
Befestigungsring	2" G	2" G	2" G	2" G
Luftdruck	3-7 bar 43.5-101.5 psi	3-7 bar 43.5-101.5 psi	3-7 bar 43.5-101.5 psi	3-7 bar 43.5-101.5 psi

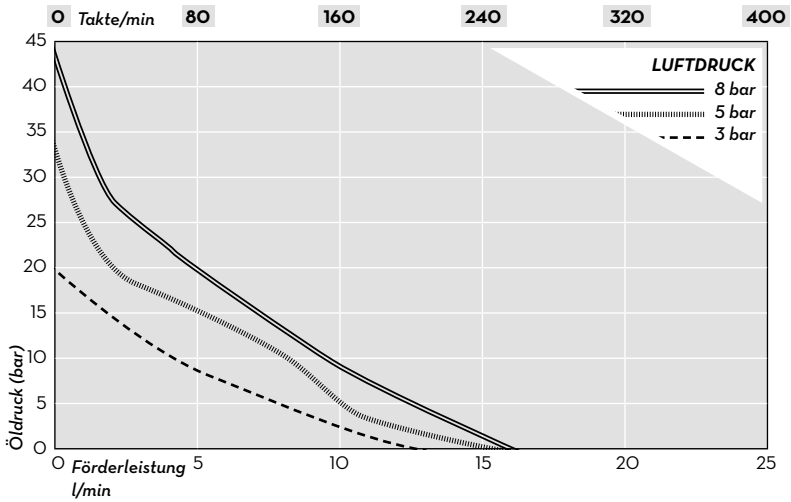
**SAE 20 (ISO VG68) OIL
t=18°C**

P 3.5 - ST P 3.5 - 940



DE

P 5.5 - ST P 5.5 - 940



11. BESTIMMUNGSZWECK

Bestimmungsgemäße Verwendung

Das Abgabesystem "**PIUSI P 3.5 - PIUSI P 5.5**" ist ausschließlich für die Abgabe von Schmieröl ausgelegt und gebaut.

Einsatzbedingungen

Das Abgabesystem "**PIUSI P 3.5 - PIUSI P 5.5**" muss unter folgenden Bedingungen eingesetzt werden:

- *Lufteinlassdruck: 3-7 bar;*
- *max. Betriebsdruck: 55 bar;*
- *vergewissern Sie sich, dass die Pumpe im Nennbetriebsbereich arbeitet.*

Entzündliche Flüssigkeiten und explosionsfähige Atmosphäre



ACHTUNG

Das System "**PIUSI P 3.5 - PIUSI P 5.5**" ist nicht für die Abgabe von Diesel, Benzin und entzündlichen Flüssigkeiten mit Explosionspunkt <math> < 55^{\circ}\text{C}/131^{\circ}\text{F}</math> oder für den Betrieb in Bereichen mit explosionsfähiger Atmosphäre ausgelegt. Unter vorgenannten Bedingungen ist der Einsatz der Pumpe daher verboten.

Nicht bestimmungsgemäße Verwendung

Das System darf auf keinen Fall für Zwecke verwendet werden, die von der unter "Bestimmungsgemäße Verwendung" angeführten bestimmungsgemäßen Verwendung abweichen.


Jede andere Verwendung des Systems als der in dieser Anleitung beschriebene Auslegungszweck gilt als "UNSACHGEMÄSSE VERWENDUNG" und entbindet PIUSI S.p.A. jeglicher Haftung für Sach-, Personen-, Tier- oder Systemschäden.

12. INSTALLATION

Einleitung

Das Abgabesystem **“PIUSI P 3.5 - PIUSI P 5.5”** ist für den Wandeinbau (Versionen ST) oder die direkte Fassinstallation (Versionen 940) ausgelegt und eingerichtet. In jedem Fall muss eine stabile und sichere Befestigung gewährleistet sein.


Autorisiertes Installationspersonal

 **ACHTUNG**


Es ist ausdrücklich verboten, den Ölfördernippel durch andere im Handel erhältliche Anschlüsse zu ersetzen.

Die Installation hat ausschließlich durch autorisiertes Fachpersonal zu erfolgen, das:

- das System an einem trockenen und ausreichend belüfteten Ort installieren muss;
- das für den einwandfreien Betrieb der Pumpe erforderliche Zubehör fachgerecht installieren muss.

 **ACHTUNG**

Umrüstungen oder Änderungen an der Abgabevorrichtung sind verboten. PIUSI S.p.A. haftet nicht für Personen-, Sach- oder Umgebungsschäden durch die Missachtung dieser Vorschrift. Der Installateur ist für den Anbau der für einen korrekten und sicheren Einsatz der Vorrichtung erforderlichen Zubehörteile verantwortlich. Der Anbau von nicht für den Einsatz geeigneten Zubehörteilen kann zu schweren Schäden an der Vorrichtung führen und stellt eine Verletzungsgefahr dar. Die Vorrichtung unter keinen Umständen einsetzen, falls für die Sicherheit wichtige Anbauteile oder Zubehör- bzw. Bestandteile beschädigt sind. Diese Teile immer sofort reparieren bzw. ersetzen.

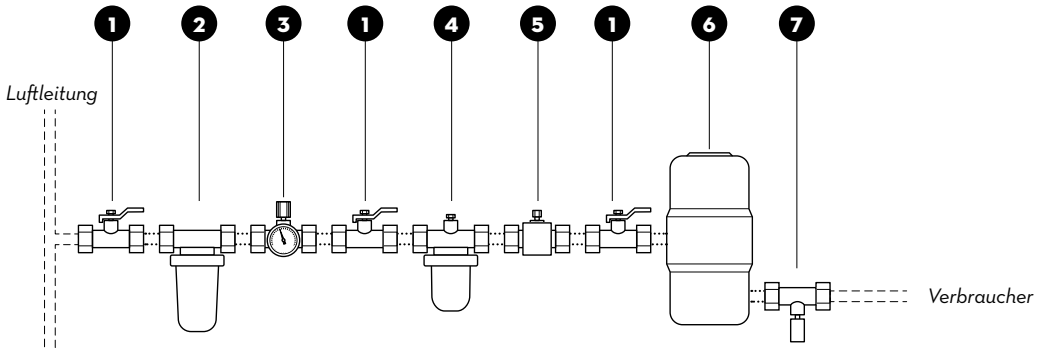
 **WARNUNG**

- Das Abgabesystem **“PIUSI P 3.5 - PIUSI P 5.5”** ist ausschließlich für den professionellen Gebrauch bestimmt.
- Das Abgabesystem **“PIUSI P 3.5 - PIUSI P 5.5”** muss nach den einschlägigen Vorschriften an einem ausreichend beleuchteten Ort installiert werden.
- Die am Installationsstandort geltenden Sicherheits- und Brandschutznormen sind verpflichtend zu beachten.

**Installations-
beispiel**

Folgendes Schema veranschaulicht beispielhaft eine mögliche Installationsart des Systems "PIUSI P 3.5 - PIUSI P 5.5". Bei der Ausführungsplanung einer Anlage ist unbedingt die Unterstützung von Fachpersonal erforderlich.

- 1 · Kugel-Entlüftungsventil
- 2 · Filter
- 3 · Druckminderer mit Manometer - **Max. 7 Bar einstellen** (vorgeschrieben)
- 4 · Schmierstoffgeber
- 5 · Sicherheitsventil (vorgeschrieben)
- 6 · Pumpengehäuse
- 7 · Sicherheitsventil f. max. Druck



**Befestigung des
Abgabesystems**

Sichern Sie das Pumpengehäuse mit einer geeigneten Halterung an der Wand (Version ST) oder befestigen Sie es mit bis auf Anschlag eingeführtem Anfüllrohr am Fassdeckel (Version 940) anhand der Fixierschrauben. Schließen Sie die Pumpe dann an die Luftleitung an und achten Sie auf die Anwesenheit der abgebildeten Komponenten.



ACHTUNG

- Das Luftzubehör ist mit entsprechenden Stützbügeln einzubauen. Die Armaturen der Pumpe können durch das Gewicht der Leitungselemente beschädigt werden.
- Nicht mit dem Schema übereinstimmende Installationen garantieren nicht den korrekten Betrieb der Pumpe.
- Luftzufuhrdruckwerte von über 7 Bar könnten die Pumpe und die Anlage beschädigen.

Zubehör für den sicheren Betrieb

Der korrekte und für das Personal sichere Betrieb der Pumpe schreibt die Installation von Vorrichtungen vor, die das Verletzungsrisiko durch Flüssigkeitsinjektion, Spritzern oder dgl. reduzieren.

Bleed ball valve



(vorgeschrieben)

1 Im Druckluftkreis vor der Pumpe MÜSSEN Kugel-Entlüftungsventile installiert sein. Diese Vorrichtungen ermöglichen das Schließen von Leitungsabschnitten sowie den Ablass der darin eingeschlossenen Druckluft. Eingeschlossene Druckluft kann den plötzlichen Start der Pumpe und somit schwerwiegende Verletzungen verursachen.

Hochdrucksicherheitsventil



7 Der Kreislauf MUSS UNBEDINGT mit einem Hochdrucksicherheitsventil für den Ölschmierkreis ausgestattet sein, das gleich nach dem Pumpenaggregat installiert werden muss. Das System lässt den gefährlichen Überdruck infolge der thermischen Ausdehnung der Flüssigkeit ab.

Druckminderer mit Manometer

3 Es sollte ein Druckminderer mit Manometer installiert werden, um die Drehzahl und den Druck der Pumpe bequem überwachen und regeln zu können

Sicherheitsventil

5 Bei einem mit überhöhter Drehzahl betriebenen Druckluftmotor können schwerwiegende Schäden auftreten. Das Sicherheitsventil unterbricht den Luftdurchsatz bei Überschreiten des eingestellten Drucks.

Schmierstoffgeber

4 Bei intensiver Nutzung empfiehlt sich die Installation eines automatischen Schmierstoffgebers in der Luftleitung, um die Lebensdauer des Druckluftmotors zu verlängern. Verwenden Sie ausschließlich ÖL für Druckluftgeräte oder Motorenöl SAE10. Stellen Sie die Ausgabemenge maximal auf einen Tropfen alle 10 Minuten ein.

Filter

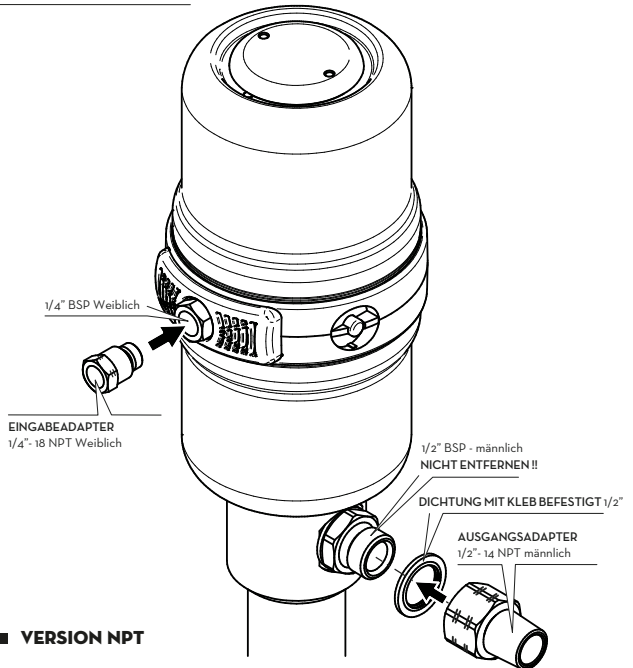
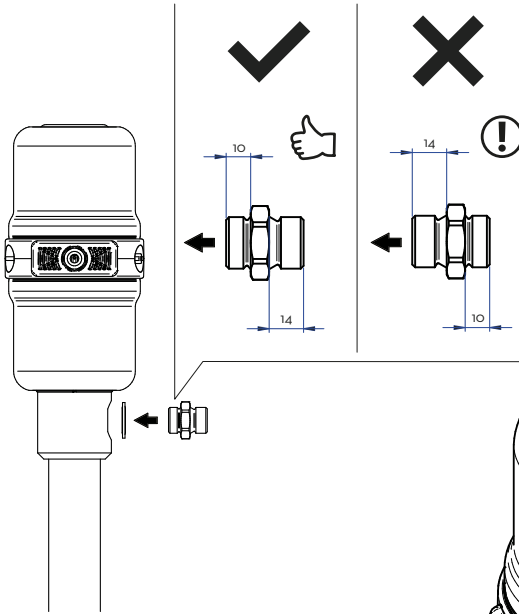
2 Der Einbau eines Luftfilters vor der Pumpe beseitigt Schmutz und verunreinigte Elemente, woraus eine längere Lebensdauer des Druckluftmotors resultiert.



ACHTUNG

Betreiben Sie auf keinen Fall eine falsch montierte und befestigte Pumpe. Bei Verwendung in einer solchen Situation können Vorrichtung und Anschlüsse schwerwiegenden Schaden nehmen.

■ RICHTIGE MONTAGE NIPPLO



■ VERSION NPT

13. BETRIEB

Erstmalige Inbetriebnahme

Für eine optimale Verwendung der Druckluftpumpe sollten Sie unbedingt nachstehendes Verfahren befolgen. Dadurch werden die Gefahren für das Personal reduziert. Im Startzustand nach Installation des Produkts müssen alle Kugelventile in der Luftleitung, wie auch die Abgabevorrichtung und der Druckminderer mit Manometer geschlossen sein.

Öffnen der Luftleitung

Halten Sie den Druckregler in geschlossener Stellung und öffnen Sie dann nacheinander die einzelnen Kugelventile der Luftleitung. Lassen Sie das Abgabeventil in einem für die Aufnahme der angesaugten Flüssigkeit geeigneten Metallbehälter offen. Halten Sie dabei die Zapfdüse mit der Behälterwand in Kontakt. Darüber hinaus sollten Sie die vorgeschriebene persönliche Schutzausrüstung tragen.

Öffnen des Drucks und Ansaugung

Öffnen Sie langsam den Druckregler mit Manometer auf die höchste Stufe. Halten Sie den Druck anhand der Manometeranzeige unter Kontrolle und warten Sie auf das hörbare Einschalten der Druckluftpumpe und Einsetzen der Ansaugung. Schließen Sie das Abgabeventil, sobald die gesamte Luft in der Flüssigkeitsleitung ausgeströmt ist und das Abgabeventil mit der Abgabe begonnen hat.



HINWEIS

Nach der ersten Ansaugung brauchen Sie nur die Luftleitung zu öffnen, damit die Druckluftpumpe beim Öffnen des Abgabeventils unmittelbar startet. Das Schließen des Abgabeventils bewirkt die Ausschaltung der Druckluftpumpe.

Normaler Betrieb

Regeln Sie den Druck auf die zum Erreichen der gewünschten Abgabergebnisse minimale Luftmenge ein. Bei der Druckeinstellung ist größte Vorsicht geboten.



ACHTUNG

Das System liefert unter Hochdruck stehende Flüssigkeiten, die für den Betreiber eine Gefahr darstellen. Bei Erstbetrieb der Vorrichtung sehr vorsichtig sein und immer unter maximalen Sicherheitsbedingungen arbeiten, bis man sich richtig mit der Anlage vertraut gemacht hat. Im Falle von Funken oder elektrischen Schlägen die Vorrichtung sofort abschalten.



WARNUNG

Der Trockenlauf der Pumpe ohne bzw. mit geringer Flüssigkeit kann diese irreparabel beschädigen. Das Pumpen ohne Flüssigkeit führt zu einer Drehzahlsteigerung des Druckluftmotors mit dadurch bedingter Überhitzung und Bruchgefahr.

Für den Betrieb bei niedrigen Temperaturen sollten Systeme zum Schutz vor Eisbildung eingesetzt werden.

Schließen Sie auf keinen Fall die Luftzufuhr während des Pumpenbetriebs. Zur Gewährleistung des einwandfreien Betriebs sollten Sie niemals den angegebenen Mindestdruck unterschreiten.

14. WARTUNG

Sicherheitshinweise Das Abgabesystem ist für einen minimalen Wartungsaufwand ausgelegt und gebaut.

Lassen Sie vor Wartungseingriffen den Druck im Abgabesystem mithilfe der Kugel-Entlüftungsventile ab. Jeder Wartungseingriff bei noch im Kreis befindlicher Druckluft ist verboten, da hiermit ein plötzlicher Start der Pumpe erfolgen kann. Bei den Wartungseingriffen ist die Benutzung der persönlichen Schutzausrüstungen (PSA) Pflicht.

Berücksichtigen Sie für einen ordnungsgemäß Betrieb der Pumpe auf jeden Fall folgende Mindestempfehlungen.

Autorisiertes Wartungspersonal

Die Wartungseingriffe haben ausschließlich durch Fachpersonal zu erfolgen. *Jede Manipulation kann zu einer Leistungsreduzierung und einer Gefahr für Personen und/oder Sachen führen und macht darüber hinaus die Garantie nichtig.*

Eingriffe

Stellen Sie sicher, dass sich der Aufkleber am Abgabesystem mit der Zeit nicht löst oder beschädigt wird.

TÄGLICH:

- überprüfen Sie den Wartungszustand der Schlauchleitungen.

JÄHRLICH:

- überholen Sie die Komponenten des Druckluftkreises.

15. FEHLERSUCHE

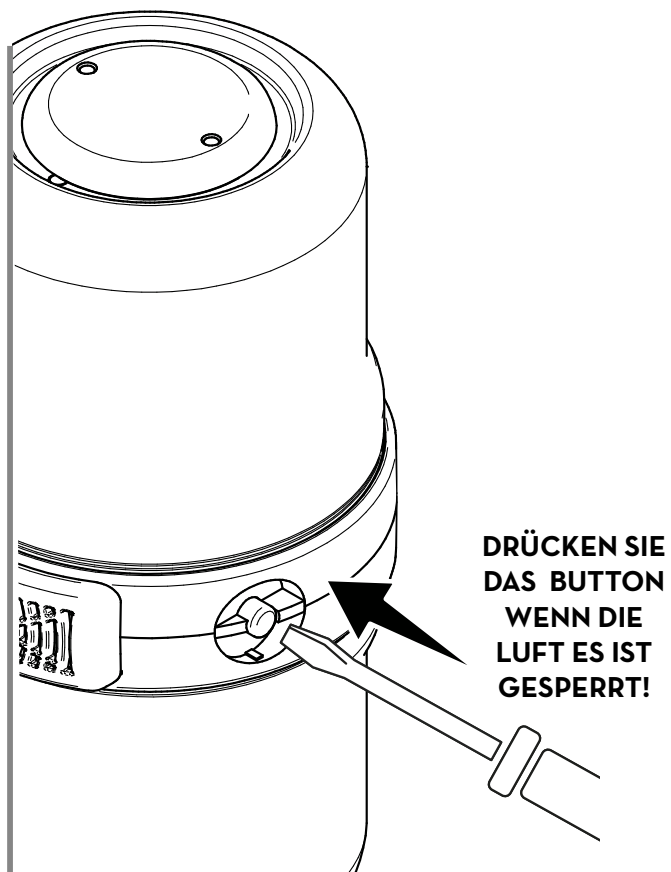


WARNUNG

Vor jedem Prüf- und Wartungseingriff sollten Sie unbedingt die Luftzufuhr schließen und den Druck nach dem in dieser Anleitung geschilderten Verfahren aus dem Kreis ablassen.

Störung	Mögliche Ursache	Behebung
Die Pumpe funktioniert nicht	Unzureichender Lufteinlassdruck	Lufteinlassdruck erhöhen
	Luftleitungen verstopft	Luftleitungen reinigen
	Abgabeventile geschlossen oder verstopft	Abgabeventile öffnen bzw. reinigen
	Flüssigkeitsleitungen oder andere Komponenten verstopft	Reinigung der Flüssigkeitsleitungen und Komponenten überprüfen
	Keine Flüssigkeit im Tank	Tank auffüllen
Die Pumpe funktioniert unregelmäßig	Druckluftmotor beschädigt	Druckluftmotor instandsetzen
	Abnutzung der Kolbendichtungen	Beschädigte Dichtungen ersetzen
Dauerhaftes Luftleck	Keine Flüssigkeit im Tank	Tank auffüllen
	Unzureichende Dichtigkeit der Motordichtungen	Motordichtungen reinigen oder ersetzen
Die Pumpe wird nicht in Gang gesetzt und verliert Luft aus den Schalldämpfern	Pumpe blockiert	Rückstellknopf voll eindrücken (siehe Abbildung unten)

DE



16. DEMONTAGE UND ENTSORGUNG

- Vorwort** Bei Verschrottung des Zapfsystems müssen dessen Bauteile Fachbetrieben für die Entsorgung und das Recycling von Industrieabfällen zugeführt werden.
- Entsorgung der Verpackung** Die Verpackung besteht aus biologisch abbaubarem Karton; sie kann Fachbetrieben zur normalen Wiedergewinnung von Zellulose zugeführt werden.
- Entsorgung der Metallteile** Die Metallteile der Verkleidung und Struktur wie auch die lackierten Teile und die Edelstahlteile können normalerweise Fachbetrieben für die Verschrottung von Metallen zugeführt werden.
- Entsorgung weiterer Bauteile** Weitere Produktbestandteile wie Schläuche, Gummidichtungen, Kunststoffteile und Kabel sind Fachbetrieben für Entsorgung von Industriemüll zuzuleiten.



ITALIANO

BULLETIN MO352 A

INDICE

1. Dichiarazione ce di conformità	58
2. Avvertenze generali	59
3. Istruzioni di sicurezza e avvertenze	60
4. Norme di pronto soccorso	60
5. Norme generali di sicurezza	61
6. Imballo del sistema di distribuzione.....	62
7. Contenuto dell'imballo/ispezione preliminare.....	62
8. Posizione degli elementi informativi.....	63
9. Identificazione macchina e costruttore.....	64
10. Caratteristiche tecniche.....	64
11. Destinazione d'uso.....	66
12. Installazione.....	67
13. Funzionamento.....	71
14. Manutenzione.....	72
15. Diagnostica.....	73
16. Demolizione e smaltimento.....	75

1. DICHIARAZIONE CE DI CONFORMITÀ

La sottoscritta:

PIUSI S.p.A.

Via Pacinotti 16/A z.i. Rangavino
46029 Suzzara - Mantova - Italy

DICHIARA

sotto la propria responsabilità, che l'apparecchiatura descritta di seguito:

Descrizione: pompa pneumatica a doppio effetto per la distribuzione di olio.

Modello: **PIUSI P 3.5 - PIUSI P 5.5**

Matricola: riferirsi al Serial Number riportato sulla targa CE stampigliata sul prodotto.

Anno di costruzione: riferirsi al Serial Number riportato sulla targa CE stampigliata sul prodotto.

è conforme alle disposizioni legislative che traspongono le direttive:

· Direttiva macchine 2006/42/CE

La documentazione è a disposizione dell'autorità competente su motivata richiesta presso PIUSI S.p.A. o richiedendola all'indirizzo e-mail:

doc_tec@piusi.com

La persona autorizzata a costituire il fascicolo tecnico e a redigere la dichiarazione è *Otto Varini* in qualità di legale rappresentante.

Suzzara 01/03/2020

Otto Varini
il legale rappresentante



2. AVVERTENZE GENERALI

Avvertenze importanti

Per salvaguardare l'incolumità degli operatori, per evitare possibili danneggiamenti al sistema di distribuzione e prima di compiere qualsiasi operazione sul sistema di distribuzione è indispensabile aver preso conoscenza di tutto il manuale di istruzioni.

Simbologia utilizzata nel manuale

Sul manuale verranno utilizzati i seguenti simboli per evidenziare indicazioni ed avvertenze particolarmente importanti:

 ATTENZIONE	 AVVERTENZA	 NOTA
Indica situazioni pericolose che se non evitate potrebbero causare morte o gravi danni.	Questo simbolo indica che esiste la possibilità di arrecare danno alle apparecchiature e/o ai loro componenti.	Questo simbolo segnala informazioni utili.

IT

Conservazione del manuale

Il presente manuale deve essere integro e leggibile in ogni sua parte, l'utente finale ed i tecnici specializzati autorizzati all'installazione e alla manutenzione devono avere la possibilità di consultarlo in ogni momento.

Diritti di riproduzione

Il presente manuale è di proprietà di PIUSI S.p.A., la quale è esclusiva titolare di tutti i diritti previsti dalle leggi applicabili, ivi comprese a titolo esemplificativo le norme in materia di diritto d'autore. Tutti i diritti derivanti da tali norme sono riservati a PIUSI S.p.A.: la riproduzione anche parziale del presente manuale, la sua pubblicazione, modifica, trascrizione, comunicazione al pubblico, distribuzione, commercializzazione in qualsiasi forma, traduzione e/o elaborazione, prestito, ed ogni altra attività è riservata per legge a PIUSI S.p.A.

Tutti i diritti di riproduzione di questo manuale sono riservati a PIUSI S.p.A. Il testo non può essere usato in altri stampati senza autorizzazione scritta di PIUSI S.p.A.

© PIUSI S.p.A.

IL PRESENTE MANUALE È PROPRIETÀ DI PIUSI S.p.A.
OGNI RIPRODUZIONE ANCHE PARZIALE È VIETATA.

3. ISTRUZIONI DI SICUREZZA e AVVERTENZE

Verifiche preliminari all'installazione

Prima di procedere, assicurarsi di poter installare il prodotto in un luogo ventilato e privo di pericoli potenziali per operatori e attrezzature.



ATTENZIONE

Una scarsa ventilazione, fiamme vive o scintille possono creare condizioni pericolose e causare incendi o esplosioni e gravi lesioni.

Il dispositivo non è di tipo anti deflagrante. Il dispositivo deve essere installato all'esterno di aree a pericolo di esplosione. Non installare in zone ove possano essere presenti vapori infiammabili.

Accertarsi che i tubi non si trovino in prossimità di aree trafficate, spigoli vivi, parti in movimento o superfici calde. Utilizzare i tubi ad una temperatura compresa tra i -40°C e gli 82°C.

Interventi di controllo e manutenzione

Prima di qualsiasi intervento di controllo o manutenzione, chiudere l'aria e scaricare sempre la pressione dal circuito seguendo l'idonea procedura di decompressione e drenaggio.

Divieti



ATTENZIONE

È assolutamente vietato sostenere o trasportare il sistema per mezzo dei tubi ad esso connessi.

Il dispositivo è realizzato per l'erogazione di fluidi ad alte pressioni. Puntare il flusso contro qualsiasi parte del corpo è assolutamente vietato e può causare lesioni gravissime.

4. NORME DI PRONTO SOCCORSO

Contatto con il prodotto

Per problematiche derivanti da INIEZIONE, INALAZIONE, INGESTIONE o dal contatto del prodotto trattato con OCCHI o PELLE, fare riferimento alla relativa SCHEDA DI SICUREZZA.

Fluidi pericolosi o fumi tossici possono causare lesioni gravi o mortali.

Pericolo di iniezione di fluidi

Il fluido erogato può essere accidentalmente iniettato nel corpo dell'operatore a causa di perdite, componenti danneggiati o impiego non idoneo.

Tale situazione richiede immediato intervento medico di emergenza da parte di operatori qualificati. Comunicare al personale medico con precisione la natura del fluido iniettato.



NOTA

Fare riferimento alle schede di sicurezza del fluido erogato.



ATTENZIONE

Non trattare l'area di iniezione del fluido come una semplice ferita. Richiedere intervento medico di emergenza.

5. NORME GENERALI DI SICUREZZA



ATTENZIONE

Non mettere in funzione il dispositivo quando si è affaticati o sotto l'influenza di droghe o alcol. Non lasciare l'area di lavoro mentre il dispositivo è acceso e in funzione. Non alterare o modificare il dispositivo. Alterazioni o modifiche al dispositivo possono rendere nulle le omologazioni e causare pericoli per la sicurezza. Tenere bambini e animali lontano dall'area di lavoro. Rispettare tutte le normative di sicurezza vigenti.

Caratteristiche essenziali dell'equipaggiamento di protezione

Indossare un equipaggiamento di protezione che sia:

- idoneo alle operazioni da effettuare;
- resistente ai prodotti impiegati per la pulizia.

Dispositivi di protezione individuale da indossare



scarpe antinfortunistiche



guanti di protezione



indumenti attillati al corpo



occhiali di sicurezza



Manuale di istruzioni

Guanti protettivi Il contatto prolungato con il prodotto trattato può provocare irritazione alla pelle; durante l'erogazione utilizzare sempre i guanti di protezione.



ATTENZIONE

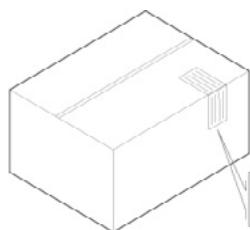
Pericolo da parti mobili



Il dispositivo include parti mobili in grado di causare schiacciamento, taglio o amputazione. Si invita alla cautela.

- Non avvicinarsi alle parti in movimento durante l'avvio o l'utilizzo del dispositivo.
- Non azionare il dispositivo qualora privo degli involucri di protezione.

6. IMBALLO DEL SISTEMA DI DISTRIBUZIONE



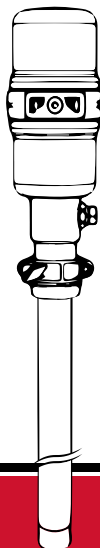
Il sistema di distribuzione è fornito imballato in una scatola di cartone, sulla quale è apposta un'etichetta riportante le informazioni del dispositivo (modello, peso, ecc.).

7. CONTENUTO DELL'IMBALLO/ISPEZIONE PRELIMINARE



modello
PIUSI P 3.5 - ST
PIUSI P 5.5 - ST

Gruppo pompa per fissaggio a muro.



modello
PIUSI P 3.5 - 940
PIUSI P 5.5 - 940

Gruppo pompa con pescante per fissaggio a fusto.

Per aprire l'imballo in cartone, utilizzare delle forbici o un taglierino, avendo cura di non danneggiare il dispositivo o i suoi componenti. Aprire l'imballo e verificare che al suo interno siano presenti i componenti forniti in dotazione.

ATTENZIONE

Verificare che i dati di targa corrispondano a quelli desiderati. Per qualsiasi anomalia, contattare immediatamente il fornitore, segnalando la natura dei difetti e, in caso di dubbio sulla sicurezza dell'apparecchiatura, non utilizzarla.

NOTA

Nel caso in cui uno o più componenti descritti non siano presenti all'interno della confezione, contattare il servizio di assistenza tecnica PIUSI S.p.A.


8. POSIZIONE DEGLI ELEMENTI INFORMATIVI

Sul sistema di distribuzione vi è applicata un'etichetta adesiva per indicare all'operatore le informazioni di maggior rilevanza. Occorre verificare che nel tempo questa non si deteriori o si stacchi. L'etichetta riporta le seguenti informazioni di utilizzo:

NOTA

Se dovesse verificarsi l'assenza o il deterioramento, anche parziale, dell'etichetta, preghiamo di contattare il nostro ufficio assistenza per l'invio del materiale sostitutivo.

-  indumenti attillati al corpo
-  guanti di protezione
-  occhiali di protezione
-  scarpe anti infortunistiche

 Consultare il manuale "Installazione, uso e manutenzione"

WARNING

Do not exceed the maximum air pressure of the pump.
Not for use with windshield washer fluid, petrol or other explosive liquids.

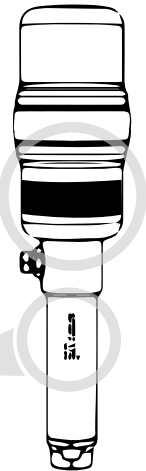
MADE IN ITALY

ATTENTION

Wear appropriate protective equipment to help prevent serious injury.
Indossare dispositivi di protezione adeguati per prevenire gravi infortuni.

Stampigliatura apposta sulla parte inferiore della pompa, o sul pescante, riportante le informazioni sul dispositivo.

PIUSI SPA - MADE IN ITALY
PIUSI P 5.5 - ST FOO21401A
SERIAL N. 0123456789
CE EAC



9. IDENTIFICAZIONE MACCHINA E COSTRUTTORE

Il sistema di distribuzione è provvisto di una stampigliatura di identificazione direttamente sulla pompa che riporta le seguenti informazioni:

- *modello;*
- *codice identificativo prodotto;*
- *numero seriale.*



ATTENZIONE

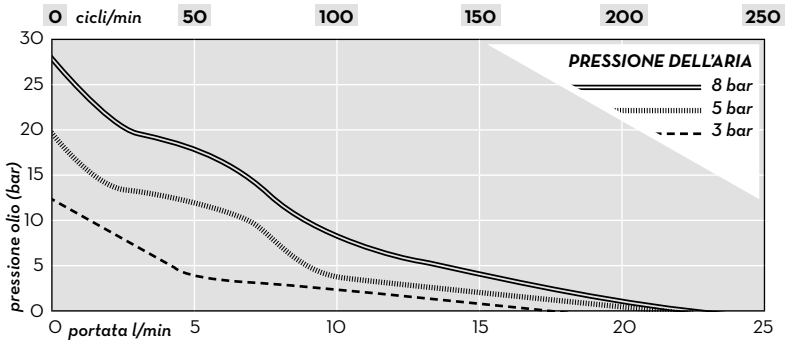
Verificare sempre prima dell'installazione che il modello di sistema di distribuzione sia corretto.

10. CARATTERISTICHE TECNICHE

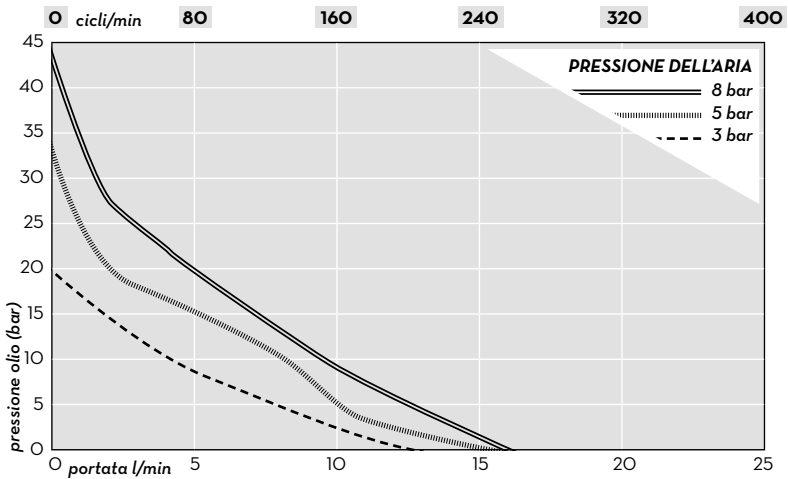
	P 3.5 - ST FOO214000	P 3.5 - 940 FOO214020	P 5.5 - ST FOO214010	P 5.5 - 940 FOO214030
Rapporto di compressione	3.5:1	3.5:1	5.5:1	5.5:1
Pressione aria	3-8 bar	3-8 bar	3-8 bar	3-8 bar
Filettatura entrata aria	1/4" G	1/4" G	1/4" G	1/4" G
Filettatura entrata olio	1" G	1" G	1" G	1" G
Filettatura uscita olio	1/2" G	1/2" G	1/2" G	1/2" G
Portata a uscita libera (8 bar)	21,5 l/min	21,5 l/min	15,5 l/min	15,5 l/min
Diametro pescante	-	42 mm	-	50 mm
Lunghezza pescante	175 mm	940 mm	175 mm	940 mm
Lunghezza totale	445 mm	1210 mm	445 mm	1210 mm
Ghiera fissaggio	2" G	2" G	2" G	2" G
Pressione aria	3-7 bar 43.5-101.5 psi	3-7 bar 43.5-101.5 psi	3-7 bar 43.5-101.5 psi	3-7 bar 43.5-101.5 psi

**SAE 20 (ISO VG68) OIL
t=18°C**

P 3.5 - ST P 3.5 - 940



P 5.5 - ST P 5.5 - 940



IT

11. DESTINAZIONE D'USO

Uso previsto

Il sistema di distribuzione “**PIUSI P 3.5 - PIUSI P 5.5**” è stato progettato e costruito per la distribuzione esclusivamente di olio lubrificante.

Condizioni di utilizzo

Il sistema di distribuzione “**PIUSI P 3.5 - PIUSI P 5.5**” deve essere utilizzato nel rispetto delle seguenti condizioni:

- *pressione dell'aria in ingresso: 3,7bar;*
- *pressione massima di esercizio: 55 bar;*
- *assicurarsi che la pompa lavori nel suo campo di funzionamento nominale.*

Liquidi infiammabili e atmosfera esplosiva



ATTENZIONE

Il sistema “**PIUSI P 3.5 - PIUSI P 5.5**” non è stato progettato per la distribuzione di gasolio, benzina, liquidi infiammabili con punto di esplosione <math> < 55^{\circ}\text{C} / 131^{\circ}\text{F}</math>, o per operare in ambienti con atmosfera potenzialmente esplosiva. Se ne vieta pertanto l'utilizzo nelle sopra citate condizioni.

Uso non previsto

È assolutamente vietato l'utilizzo del sistema per scopi diversi da quelli previsti e specificati al punto “Uso previsto”. Ogni altro utilizzo che non sia quello per cui il sistema è stato progettato e descritto in questo manuale si considera “USO IMPROPRIO”, pertanto la PIUSI S.p.A. declina ogni responsabilità per eventuali danni causati a cose, persone, animali o al sistema stesso.

12. INSTALLAZIONE

Premessa

Il sistema di distribuzione **"PIUSI P 3.5 - PIUSI P 5.5"** è stato progettato e predisposto per essere installato a muro (nelle versioni ST) o direttamente sul fusto (nelle versioni 940). In ogni caso deve essere garantito un fissaggio stabile e sicuro.

Personale autorizzato all'installazione



ATTENZIONE

Assolutamente vietato sostituire il nipplo di mandata olio con altri raccordi commerciali

Le operazioni di installazione devono essere eseguite solo da personale competente e autorizzato, che deve:

- installare il sistema in un luogo asciutto e ben ventilato;
- provvedere alla corretta installazione degli accessori necessari al corretto funzionamento della pompa.



ATTENZIONE

È assolutamente vietato alterare o modificare il dispositivo di erogazione. PIUSI S.p.A. declina ogni responsabilità per danni a persone, cose o all'ambiente, dovuti alla mancata osservanza di questa prescrizione.

È responsabilità dell'installatore dotare il sistema degli accessori necessari per un sicuro e corretto funzionamento del dispositivo. La scelta di accessori non adatti all'uso può causare danni anche gravi al dispositivo e/o alle persone.

Non utilizzare il dispositivo nel caso che parti importanti dello stesso, accessori o dispositivi di sicurezza risultino danneggiati. Provvedere immediatamente alle necessarie sostituzioni e riparazioni.



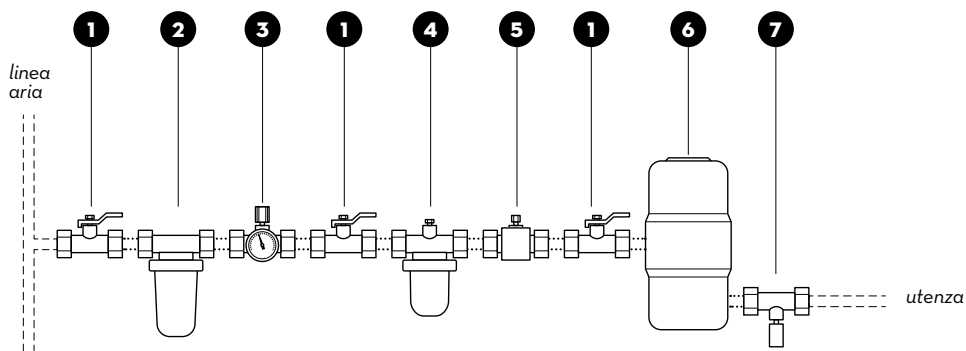
AVVERTENZA

- Il sistema di distribuzione **"PIUSI P 3.5 - PIUSI P 5.5"** è ad esclusivo uso professionale.
- Il sistema di distribuzione **"PIUSI P 3.5 - PIUSI P 5.5"** deve essere installato in luogo sufficientemente illuminato, in conformità con le normative vigenti.
- È fatto obbligo di seguire in modo completo quanto contemplato dalle normative di sicurezza e antincendio vigenti nel luogo di installazione.

Esempio di installazione

Lo schema sottostante rappresenta a titolo esemplificativo una tipologia possibile di installazione del sistema "PIUSI P 3.5 - PIUSI P 5.5". Per assistenza esecutiva nella progettazione di un impianto si necessita di personale qualificato.

- 1** · Valvola a sfera tipo a spurgo
- 2** · Filtro
- 3** · Riduttore di pressione con manometro - **Impostare max 7 bar** (elemento obbligatorio)
- 4** · Lubrificatore
- 5** · Valvola di sicurezza (elemento obbligatorio)
- 6** · Corpo pompa
- 7** · Valvola di sicurezza pressione max



Fissaggio del sistema di distribuzione

Fissare saldamente il corpo pompa a parete (nella versione ST) utilizzando un idoneo staffaggio o fissarla sul coperchio del fusto (nella versione 940) inserendola completa di pescante e avvitandone le viti di fissaggio. Quindi, connettere la pompa alla linea aria garantendo la presenza dei componenti indicati in figura.



ATTENZIONE

- Gli accessori dell'aria devono essere montati con adeguate staffe di supporto. La raccorderia del gruppo pompa può essere danneggiata dal peso degli elementi in linea.
- Installazioni non conformi allo schema non garantiscono il corretto funzionamento della pompa.
- Pressioni di alimentazioni aria maggiori di 7 bar potrebbero danneggiare la pompa e l'impianto.

Accessori necessari per l'utilizzo in sicurezza

Per un corretto funzionamento del gruppo pompa, garantendo la sicurezza dell'operatore, è fatto obbligo di installare dispositivi in grado di ridurre il rischio di lesioni causate da iniezione di fluido, spruzzi o altro.

Valvola a sfera tipo a spurgo (necessaria)



1 Il circuito DEVE NECESSARIAMENTE essere dotato di valvole a sfera tipo a spurgo a monte del gruppo pompa. Tali dispositivi permettono la chiusura di tratti di linea e lo scarico dell'aria compressa in essi intrappolata. L'aria intrappolata può causare l'avviamento improvviso della pompa e provocare gravi lesioni.

Valvola di sicurezza massima pressione



7 Il circuito DEVE NECESSARIAMENTE essere dotato di valvola di sicurezza massima pressione, sull'impianto di distribuzione dell'olio, subito dopo il gruppo pompa. Il sistema permette di scaricare eccesso di pressione pericoloso causato dalla dilatazione termica del fluido.

Riduttore di pressione con manometro

3 Si consiglia l'installazione di un riduttore di pressione con manometro, così da controllare, con la massima comodità, velocità e pressione della pompa.

Valvola di sicurezza

5 Qualora il motore pneumatico lavori ad eccessive velocità, possono verificarsi danneggiamenti anche gravi. La presenza di una valvola di sicurezza garantisce l'interruzione del flusso al superamento della pressione impostata.

Lubrificatore

4 In caso di utilizzo intensivo si consiglia l'inserimento nella linea aria di un lubrificatore automatico per garantire maggiore durata del motore pneumatico. Utilizzare esclusivamente olio per utensili pneumatici oppure olio motore SAE10. Regolare l'erogazione al massimo una goccia ogni 10 minuti.

Filtro

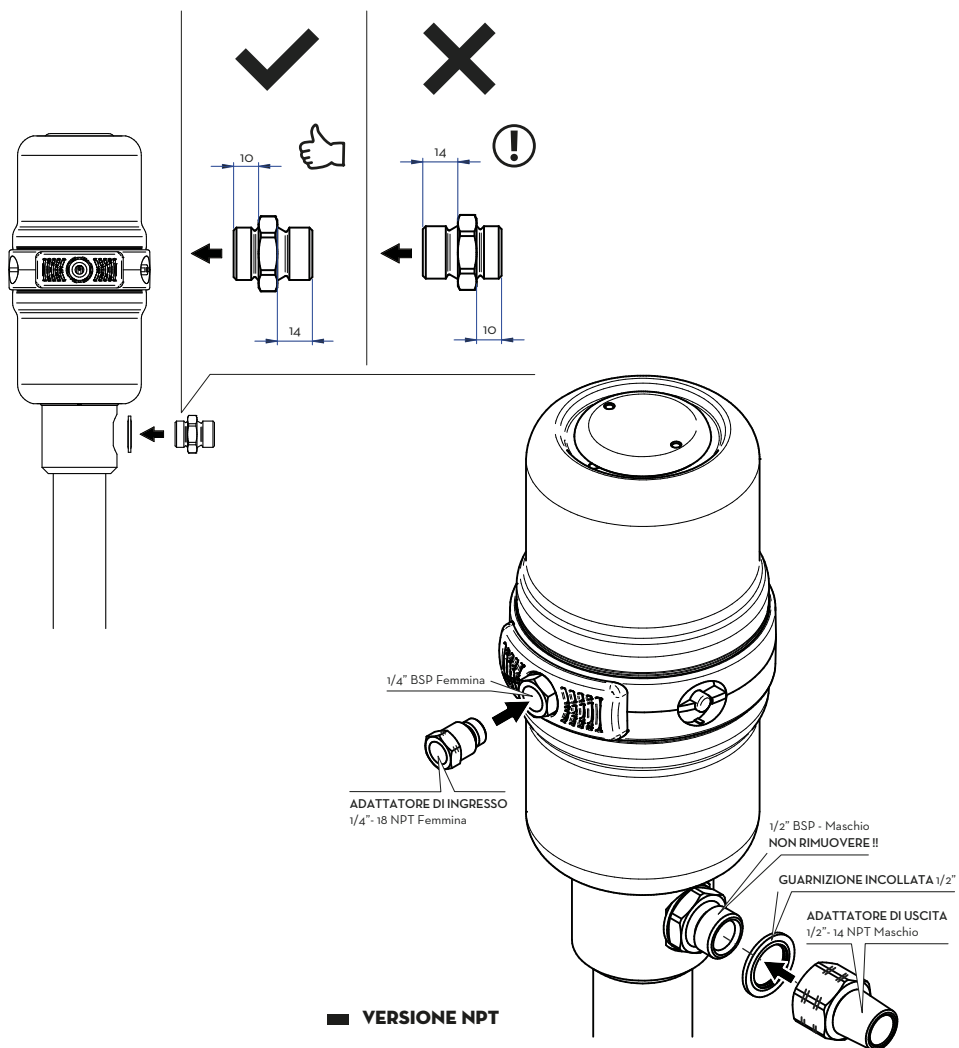
2 La presenza di un filtro aria a monte del gruppo pompa permette la rimozione di sporizia ed elementi contaminanti, aumentando la vita del motore pneumatico.



ATTENZIONE

Non azionare mai la pompa quando non correttamente montata e fissata. Tale utilizzo può provocare gravi danni al dispositivo e ai raccordi.

■ **ASSEMBLAGGIO CORRETTO DEL NIPPOLO**



13. FUNZIONAMENTO

Primo utilizzo

Per utilizzare in modo ottimale la pompa pneumatica, si consiglia vivamente di seguire la procedura sottoindicata. Questo consente la riduzione di rischi per l'operatore. La condizione di partenza, al termine dell'installazione del prodotto, deve prevedere la chiusura di tutte le valvole a sfera in linea aria, la chiusura del dispositivo di erogazione e del riduttore di pressione con manometro.

Apertura della linea aria

Mantenendo il regolatore di pressione in posizione di chiusura, aprire in sequenza le valvole a sfera della linea aria. Quindi, mantenere la valvola erogatrice aperta in un contenitore metallico adatto a raccoglierne il fluido una volta adescato. Fare estrema attenzione, mantenendo l'ugello di erogazione a contatto con la parete del contenitore. Si raccomanda ulteriormente l'impiego di dispositivi di protezione individuale.

Apertura pressione e adescaggio

Aprire lentamente il regolatore di pressione con manometro, con la massima gradualità. Mantenere controllata la pressione con l'indicatore del manometro e attendere di sentire l'entrata in funzione della pompa pneumatica per permettere l'adescaggio. Non appena tutta l'aria contenuta nella linea fluido è stata espulsa e la valvola erogatrice ha iniziato ad erogare, chiudere la valvola erogatrice.

IT



NOTA

Dopo il primo adescamento, è sufficiente che la linea aria sia aperta perché l'apertura della valvola erogatrice porti ad un azionamento immediato della pompa pneumatica. La chiusura della valvola erogatrice porta allo stop della pompa pneumatica.

Normale impiego

Si consiglia di regolare la pressione alla quantità d'aria minima sufficiente a raggiungere i risultati di erogazione desiderati. Si raccomanda la massima attenzione nella regolazione della pressione.



ATTENZIONE

Il sistema eroga fluidi ad alta pressione, tale da poter essere fonte di pericolo per l'operatore. Si raccomanda di eseguire la prima erogazione con cautela e in condizioni di massima sicurezza, in modo da acquisire una corretta percezione del funzionamento dell'impianto. Interrompere immediatamente l'erogazione in presenza di scintille o scariche elettriche.



AVVERTENZA

L'impiego del gruppo pompa a secco, in assenza di fluido o con fluido scarso, può portare a danneggiarla anche in modo irrecuperabile. Il pompaggio a secco comporta un aumento di velocità di corsa del motore pneumatico, con surriscaldamento e possibilità di rottura.

In caso di funzionamento a basse temperature si consiglia di utilizzare sistemi di protezione dalla formazione di ghiaccio.

Si raccomanda di non chiudere l'alimentazione dell'aria con la pompa ancora in funzione. Per il suo corretto funzionamento non scendere mai al di sotto della pressione minima dichiarata.

14. MANUTENZIONE

Avvertenze di sicurezza

Il sistema di distribuzione è stato progettato e costruito per richiedere una manutenzione minima.

Prima di effettuare ogni tipo di manutenzione, il sistema di distribuzione deve essere decompresso con l'ausilio delle valvole a sfera a sfiato. È espressamente proibito ogni intervento di manutenzione qualora vi sia aria compressa all'interno del circuito capace di provocare un azionamento improvviso della pompa. Durante la manutenzione è obbligatorio utilizzare i dispositivi di protezione individuale (DPI).

Tenere comunque in considerazione le seguenti raccomandazioni minime per un buon funzionamento della pompa.

Personale autorizzato agli interventi di manutenzione

Gli interventi di manutenzione devono essere eseguiti esclusivamente da personale specializzato. ***Ogni manomissione può portare al decadimento delle prestazioni e pericolo per persone e/o cose, oltre al decadimento della garanzia.***

Interventi da effettuare

Verificare che nel tempo l'etichetta presente sul sistema di distribuzione non si deteriori o si stacchi.

QUOTIDIANAMENTE:

- controllare l'adeguato stato di manutenzione dei tubi flessibili.

UNA VOLTA ALL'ANNO:

- revisionare i componenti del circuito aria.

15. DIAGNOSTICA

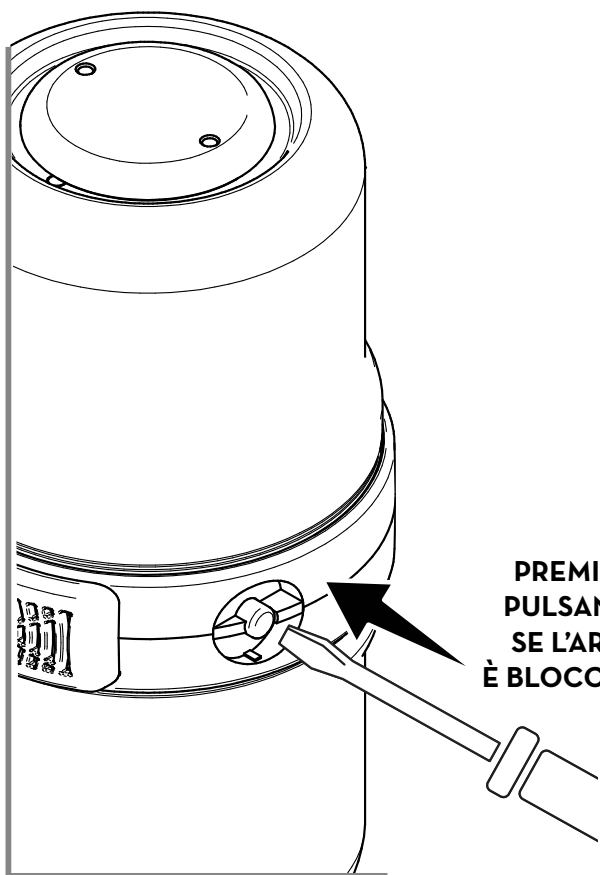


AVVERTENZA

Prima di qualsiasi intervento di controllo o manutenzione, chiudere l'aria e scaricare sempre la pressione dal circuito seguendo la procedura di decompressione indicata nel presente manuale.

Problema	Possibile causa	Azione correttiva
La pompa non funziona	Pressione insufficiente dell'aria in ingresso	Aumentare la pressione dell'aria in ingresso
	Linee dell'aria occluse	Pulire le linee dell'aria
	Valvole erogatrici chiuse o occluse	Aprire le valvole erogatrici o pulirle
	Linee del fluido o altri componenti occlusi	Verificare la pulizia delle linee fluido e dei componenti
	Fluido esaurito nel serbatoio	Provvedere al riempimento del serbatoio
	Motore pneumatico danneggiato	Riparare il motore pneumatico
La pompa funziona in modo irregolare	Consumo delle guarnizioni del pistone	Sostituire le guarnizioni danneggiate
	Fluido esaurito nel serbatoio	Provvedere al riempimento del serbatoio
Perdita continua di aria	Insufficiente tenuta delle guarnizioni del motore	Pulire o sostituire le guarnizioni del motore
La pompa non si avvia e perde aria dai silenziatori	Pompa in stallo	Spingere a fondo il pulsante di ripristino (RESET) (vedi schema di seguito)





**PREMI IL
PULSANTE
SE L'ARIA
È BLOCCATA!**

16. DEMOLIZIONE E SMALTIMENTO

Premessa

In caso di demolizione del dispositivo, le parti di cui è composto devono essere affidate a ditte specializzate nello smaltimento e riciclaggio dei rifiuti industriali. Lo smaltimento non idoneo di tali rifiuti può avere conseguenze nocive per l'ambiente e per la salute umana. Comportamenti in trasgressione delle normative vigenti possono comportare sanzioni.

Smaltimento dell'imballaggio

L'imballaggio è costituito da cartone biodegradabile che può essere consegnato alle aziende per il normale recupero della cellulosa.

Smaltimento delle parti metalliche

Le parti metalliche, sia quelle verniciate sia quelle in acciaio inox, sono normalmente recuperabili dalle aziende specializzate nel settore della rottamazione dei metalli.

Smaltimento di ulteriori parti

Ulteriori parti costituenti il dispositivo, come tubi, guarnizioni in gomma, parti in plastica e cablaggi, sono da affidare a ditte specializzate nello smaltimento dei rifiuti industriali.

ESPAÑOL

BULLETIN MO352 A

ÍNDICE

1. Declaración CE de conformidad	84
2. Instrucciones generales	85
3. Instrucciones de seguridad y advertencias	86
4. Normas de primeros auxilios	86
5. Normas generales de seguridad	87
6. Embalaje del sistema de distribución	88
7. Contenido del embalaje/inspección previa	88
8. Posición de los elementos de información	89
9. Identificación máquina y fabricante	90
10. Características técnicas	90
11. Uso previsto	92
12. Instalación	93
13. Funcionamiento	97
14. Mantenimiento	98
15. Diagnóstico	99
16. Demolición y eliminación	101

1. DECLARACIÓN CE DE CONFORMIDAD

La abajo firmante:

PIUSI S.p.A.

Via Pacinotti 16/A z.i. Rangavino
46029 Suzzara - Mantova - Italia

DECLARA

bajo su responsabilidad, que el equipo descrito a continuación:

Descripción: bomba neumática de doble efecto para suministro de aceite.

Modelo: **PIUSI P 3.5 - PIUSI P 5.5**

Matrícula: referirse al "Lot Number" indicado en el marcado CE colocado en el producto.

Año de fabricación: referirse al "Lot Number" indicado en el marcado CE colocado en el producto.

es conforme a las disposiciones legislativas que transponen las directivas:

- Directiva de máquinas 2006/42/CE

La documentación está a disposición de las autoridades competentes previa solicitud justificada formulada a PIUSI S.p.A. o solicitándola a través de la dirección de correo electrónico: doc_tec@piusi.com

La persona autorizada para crear el fascículo técnico y redactar la declaración es el Sr. *Otto Varini* en calidad de representante legal.

Suzzara, 01/03/2020

Otto Varini
representante legal



2. INSTRUCCIONES GENERALES

Advertencias importantes

Para salvaguardar la incolumidad de los operadores, para evitar posibles daños al sistema de distribución y antes de llevar a cabo cualquier operación en el sistema de distribución, es indispensable haber leído y comprendido todo el manual de instrucciones.

Símbolos utilizados en el manual

He aquí los símbolos que serán utilizados en el manual para evidenciar indicaciones y advertencias especialmente importantes:

 <p>ATENCIÓN</p> <p>Indica situaciones peligrosas que, si no se evitan, podrían ocasionar accidentes mortales o daños graves.</p>	 <p>ADVERTENCIA</p> <p>Este símbolo indica que podrían causarse daños a los aparatos y/o a sus componentes.</p>	 <p>NOTA</p> <p>Este símbolo indica información útil.</p>
---	---	---

Conservación del manual

El presente manual deberá estar íntegro y ser legible en todas sus partes; el usuario final y los técnicos especializados autorizados para la instalación y el mantenimiento deberán poder consultarlo en todo momento.

Derechos de reproducción

Este manual es propiedad de PIUSI SpA, que es titular en exclusiva de todos los derechos establecidos en la legislación pertinente, lo que incluye, entre otros, las normas en materia de derechos de autor. En virtud de estas normas, PIUSI SpA se reserva los siguientes derechos: reproducción total o parcial del presente manual, su publicación, modificación, transcripción, divulgación, distribución, comercialización de cualquier forma, traducción y/o redacción, y préstamo, así como cualquier otra actividad reservada por ley a PIUSI SpA. PIUSI SpA se reserva todos los derechos de reproducción de este manual. El texto no puede utilizarse en otras obras impresas sin la autorización escrita de PIUSI SpA.

© PIUSI S.p.A.

EL PRESENTE MANUAL ES PROPIEDAD DE PIUSI S.p.A. QUEDA PROHIBIDA TODA REPRODUCCIÓN, YA SEA TOTAL O PARCIAL.



3. INSTRUCCIONES DE SEGURIDAD Y ADVERTENCIAS

Controles antes de la instalación

El lugar de instalación debe estar ventilado y libre de peligros potenciales para el usuario y para el equipo.



ATENCIÓN

Una ventilación escasa o la presencia de chispas o llamas abiertas pueden crear condiciones peligrosas, incendios o explosiones con graves consecuencias personales.

El equipo no es antideflagrante. No instalar en zonas donde haya peligro de explosión. No instalar en zonas donde pueda haber vapores inflamables.

Cerciorarse de que las mangueras no estén en sitios transitados ni en proximidad de bordes cortantes, partes en movimiento o superficies calientes. La temperatura de uso de las mangueras es de -40 °C a 82 °C.

Operaciones de control y mantenimiento

Antes de realizar cualquier operación de control o mantenimiento es preciso cerrar el aire y descargar la presión del circuito según el procedimiento de descompresión y drenaje adecuado.

Operaciones prohibidas



ATENCIÓN

Está totalmente prohibido sujetar o transportar el sistema por medio de los tubos que tiene conectado.

El dispositivo está diseñado para suministrar fluidos a alta presión. Se prohíbe taxativamente dirigir el chorro hacia cualquier parte del cuerpo, ya que puede provocar lesiones muy graves.

4. NORMAS DE PRIMEROS AUXILIOS

Contacto con el producto

En caso de INYECCIÓN, INHALACIÓN, INGESTIÓN o contacto del líquido con los OJOS o la PIEL, consulte la FICHA DE SEGURIDAD. Los fluidos peligrosos y los humos tóxicos pueden causar lesiones graves o mortales.

Peligro de inyección de fluidos

En caso de fugas por componentes dañados o uso incorrecto, el líquido expulsado se puede inyectar en la piel del usuario.

Peligro de inyección de fluidos

Esta situación exige la intervención inmediata de personal de emergencia sanitaria. Describa con precisión al servicio de emergencia el líquido que se ha inyectado.



NOTA

Para disponer de información específica, consúltense las fichas de seguridad del producto.



ATENCIÓN

No trate la zona de inyección del líquido como una simple herida. Llame inmediatamente al servicio de emergencia.

5. NORMAS GENERALES DE SEGURIDAD



ATENCIÓN

No ponga en funcionamiento el dispositivo si está cansado o bajo la influencia de alcohol o drogas.

No abandone la zona de trabajo mientras el dispositivo esté encendido y funcionando. No altere ni modifique el dispositivo. La realización de modificaciones o alternaciones puede anular la homologación del dispositivo y poner en peligro la seguridad. Mantenga alejados del área de trabajo a niños y animales. Respete todas las normas de seguridad vigentes.



Características esenciales de equipo para protección

Llevar un equipo de protección que sea:
 · adecuado para las operaciones a efectuar
 · resistente a los productos empleados para la limpieza

Equipos de protección individual a utilizar



calzado de seguridad



guantes de protección



ropa ajustada al cuerpo



gafas de seguridad



Manual de instrucciones

Guantes de protección

El contacto prolongado con el producto tratado puede irritar la piel; durante el suministro, utilizar siempre los guantes de protección.



ATENCIÓN

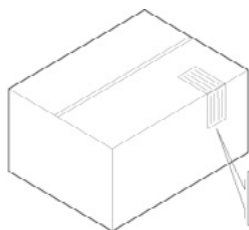
Peligro por partes móviles



El equipo tiene partes móviles que pueden causar aplastamiento, corte o amputación. Actúe con precaución.

- No se acerque a las partes en movimiento durante el arranque o el uso del equipo.
- No accione el equipo si no tiene aplicadas las carcasas de protección.

6. EMBALAJE DEL SISTEMA DE DISTRIBUCIÓN



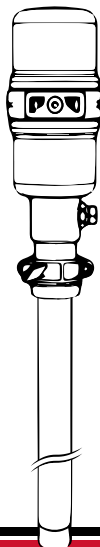
El sistema de distribución se suministra embalado en una caja de cartón, en la que aparece una **etiqueta** con la información del aparato (modelo, peso, etc.).

7. CONTENIDO DEL EMBALAJE/INSPECCIÓN PREVIA



modelo
PIUSI P 3.5 - ST
PIUSI P 5.5 - ST

Bomba para fijación a la pared.



modelo
PIUSI P 3.5 - 940
PIUSI P 5.5 - 940

Bomba con tubo de aspiración para fijación a bidón.

Para abrir el embalaje de cartón, utilice unas tijeras o un cúter con cuidado de no dañar el equipo ni sus componentes. Abra el embalaje y compruebe que no falte ningún componente.

ATENCIÓN

Controle que los datos indicados en la placa del equipo sean los esperados. Ante cualquier anomalía, llame inmediatamente a su proveedor y descríbase el tipo de defecto. En caso de duda sobre la seguridad del equipo, no lo utilice.

NOTA





Si falta alguno de los componentes indicados, llame al servicio de asistencia técnica de PIUSI S.p.A.


8. POSICIÓN DE LOS ELEMENTOS DE INFORMACIÓN

El equipo lleva aplicada una etiqueta con las informaciones más importantes. Controle que la etiqueta no se deteriore ni se despegue. La etiqueta contiene las informaciones siguientes:

NOTA

Si la etiqueta se pierde o se deteriora incluso parcialmente, pida un recambio al servicio de asistencia PIUSI S.p.A.

-  ropa ajustada al cuerpo
-  guantes de protección
-  gafas de seguridad
-  calzado de seguridad

 Manual de "Instalación, uso y mantenimiento"



Etiqueta de datos aplicada a la parte inferior de la bomba o al tubo de aspiración.

PIUSI SPA - MADE IN ITALY
 PIUSI P 5.5 - ST FOO21401A
 SERIAL N. 0123456789
 CE EAC



ES

9. IDENTIFICACIÓN MÁQUINA Y FABRICANTE

El sistema de distribución está dotado de una placa de identificación aplicada directamente en la bomba con la siguiente información:

- *modelo*
- *código de producto*
- *número de lote.*



ATENCIÓN

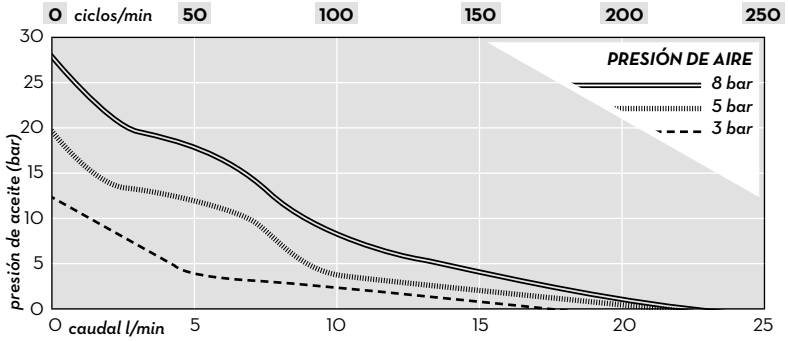
Antes de la instalación, compruebe que se trate del modelo correcto.

10. CARACTERÍSTICAS TÉCNICAS

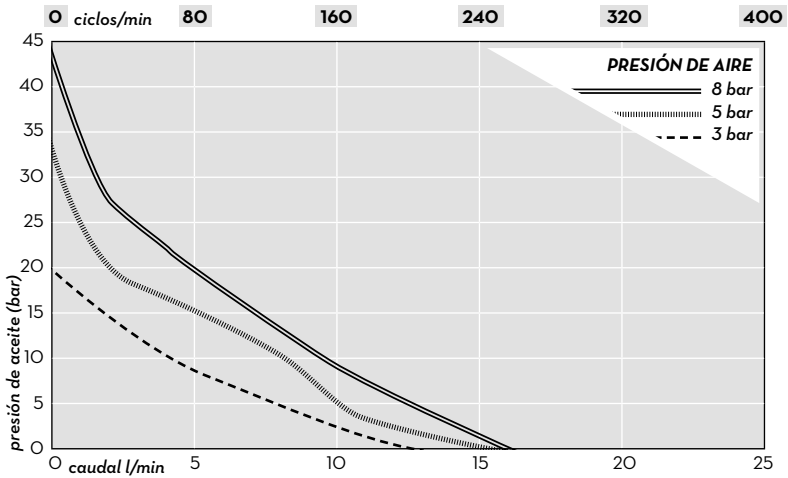
	P 3.5 - ST FOO214000	P 3.5 - 940 FOO214020	P 5.5 - ST FOO214010	P 5.5 - 940 FOO214030
Relación de compresión	3.5:1	3.5:1	5.5:1	5.5:1
Presión de aire	3-8 bar 43.5-116 psi	3-8 bar 43.5-116 psi	3-8 bar 43.5-116 psi	3-8 bar 43.5-116 psi
Rosca entrada de aire	1/4" G	1/4" G	1/4" G	1/4" G
Rosca entrada de aceite	1" G	1" G	1" G	1" G
Rosca salida de aceite	1/2" G	1/2" G	1/2" G	1/2" G
Caudal con salida libre (8 bar)	21,5 l/min 5.7 USgal/min	21,5 l/min 5.7 USgal/min	15,5 l/min 4.1 USgal/min	15,5 l/min 4.1 USgal/min
Diámetro tubo de aspiración	-	42 mm	-	50 mm
Longitud tubo de aspiración	175 mm	940 mm	175 mm	940 mm
Longitud total	445 mm	1210 mm	445 mm	1210 mm
Anillo roscado de fijación	2" G	2" G	2" G	2" G
Presión de aire	3-7 bar 43.5-101.5 psi	3-7 bar 43.5-101.5 psi	3-7 bar 43.5-101.5 psi	3-7 bar 43.5-101.5 psi

**SAE 20 (ISO VG68) OIL
t=18°C**

P 3.5 - ST P 3.5 - 940



P 5.5 - ST P 5.5 - 940



ES

11. USO PREVISTO

Uso previsto

El sistema de trasiego “**PIUSI P 3.5 - PIUSI P 5.5**” ha sido diseñado y fabricado exclusivamente para el suministro de aceite lubricante.

Condiciones de uso

El sistema de trasiego “**PIUSI P 3.5 - PIUSI P 5.5**” debe utilizarse en las siguientes condiciones:

- Presión del aire de entrada: 3-7 bar
- Presión máxima de uso: 55 bar
- Utilice siempre la bomba en el campo de funcionamiento nominal.

Líquidos inflamables y atmósfera explosiva



ATENCIÓN

El sistema “**PIUSI P 3.5 - PIUSI P 5.5**” no está diseñado para suministrar gasóleo, gasolina u otros líquidos con temperatura de explosión inferior a 55 °C/131 °F, y tampoco para funcionar en atmósferas potencialmente explosivas. Por lo tanto, se prohíbe utilizarlo en dichas condiciones.

Uso no previsto

Se prohíbe terminantemente utilizar el sistema para fines distintos de los indicados en el apartado “Uso previsto”.

Todo uso distinto del previsto e indicado en este manual se considera USO IMPROPIO, en cuyo caso PIUSI S.p.A. declina toda responsabilidad por daños causados a cosas, personas, animales o al propio sistema.

12. INSTALACIÓN

Observación

El sistema de trasiego “**PIUSI P 3.5 - PIUSI P 5.5**” se puede fijar a la pared (versiones ST) o directamente al bidón (versiones 94O). En todos los casos, se debe realizar una fijación estable y segura.

Personal autorizado para la instalación



ATENCIÓN

Está estrictamente prohibido reemplazar el manguito de suministro de aceite por otras piezas de conexión disponibles en el mercado.

La instalación ha de ser realizada exclusivamente por personal competente y autorizado, que debe:

- instalar el sistema en un lugar seco y bien ventilado;
- instalar correctamente los accesorios necesarios para el funcionamiento correcto de la bomba.



ATENCIÓN

Se prohíbe terminantemente alterar o modificar de cualquier modo el dispositivo de salida. PIUSI S.p.A. declina toda responsabilidad por daños materiales, personales o ambientales debidos a la inobservancia de esta indicación.

El instalador es responsable de equipar el sistema con los accesorios necesarios para que el dispositivo funcione de manera segura y correcta. La elección de accesorios inadecuados puede ocasionar daños personales o materiales graves.

No utilice el dispositivo si hay partes importantes del mismo, accesorios o dispositivos de seguridad dañados. Sustituya o repare de inmediato esos componentes.



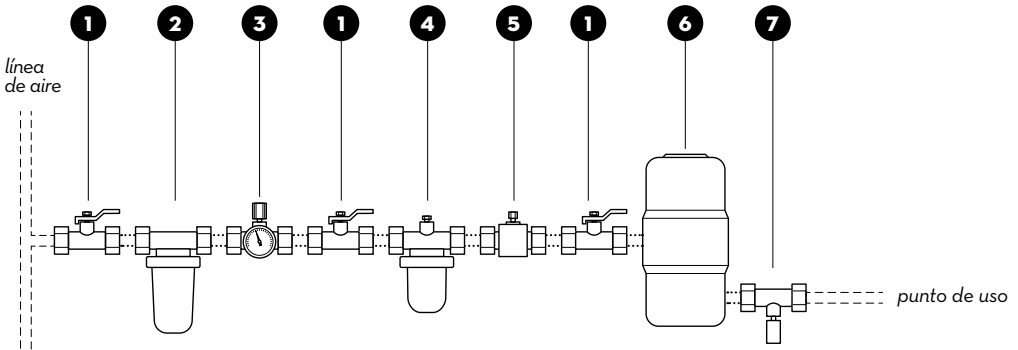
ADVERTENCIA

- El sistema de trasiego “**PIUSI P 3.5 - PIUSI P 5.5**” está destinado exclusivamente al uso profesional.
- El sistema de trasiego “**PIUSI P 3.5 - PIUSI P 5.5**” debe instalarse en un lugar suficientemente iluminado, conforme a las normativas vigentes.
- Es obligatorio respetar todas las normas de seguridad y antiincendio vigentes en el lugar de instalación.

Ejemplo de instalación

El esquema siguiente es un ejemplo de instalación del sistema "PIUSI P 3.5 - PIUSI P 5.5". Para el diseño de plantas o sistemas complejos se requiere asistencia profesional.

- 1 · Válvula de bola para purga de aire
- 2 · Filtro
- 3 · Reductor de presión con manómetro - **Configuración máx. 7 bar** (obligatoria)
- 4 · Lubricador
- 5 · Válvula de seguridad (obligatoria)
- 6 · Cuerpo de la bomba
- 7 · Válvula de seguridad presión máxima



Fijación del sistema de trasiego

Fije la bomba a la pared con soportes adecuados (versión ST), o móntela en la tapa del bidón (versión 940) con el tubo de aspiración aplicado y asegúrela con los tornillos. Luego, conecte la bomba a la línea de aire con todos los componentes indicados en la figura.



ATENCIÓN

- Los accesorios para la línea de aire deben montarse con soportes adecuados. Los racores del grupo bomba se pueden dañar si los elementos de la línea pesan sobre ellos.
- Las instalaciones no conformes con el esquema «A» no garantizan el funcionamiento correcto de la bomba.
- Las presiones de alimentación de aire que superan los 7 bar pueden dañar la bomba y el sistema.

Accesorios necesarios para el uso seguro

Válvula de bola para purga de aire
(obligatoria)



Para garantizar el funcionamiento correcto de la bomba y la seguridad del usuario, es obligatorio instalar dispositivos que reduzcan el riesgo de lesiones causadas por inyección de líquido, salpicaduras u otros accidentes.

1 El circuito DEBE NECESARIAMENTE equiparse con válvulas de bola para purga de aire antes de la bomba. Estas válvulas permiten cerrar tramos de la línea y expulsar el aire comprimido que esté atrapado en ellos. El aire atrapado puede hacer que la bomba arranque de improviso, causando graves lesiones.

Válvula de seguridad de presión máxima



7 Es OBLIGATORIO instalar una válvula de seguridad de presión máxima en el circuito del sistema de distribución de aceite justo después del grupo de bombas. Este dispositivo permite descargar el exceso de presión causado por la dilatación térmica del líquido.

Reductor de presión con manómetro

3 Se aconseja instalar un reductor de presión con manómetro para controlar la velocidad y la presión de la bomba.

Válvula de seguridad

5 Si el motor neumático funciona a una velocidad excesiva, se pueden producir daños incluso graves. La válvula de seguridad corta el flujo cuando se supera la presión especificada.

Lubricador

4 En caso de uso intensivo, se aconseja instalar un lubricador automático en la línea de aire para prolongar la duración del motor neumático. Utilice exclusivamente aceite para máquinas neumáticas o aceite para motores SAE 10. Ajuste el lubricador para que suministre, como máximo, una gota cada diez minutos.

Filtro

2 El filtro de aire montado antes de la bomba retiene la suciedad y los elementos contaminantes, aumentando la duración del motor neumático.

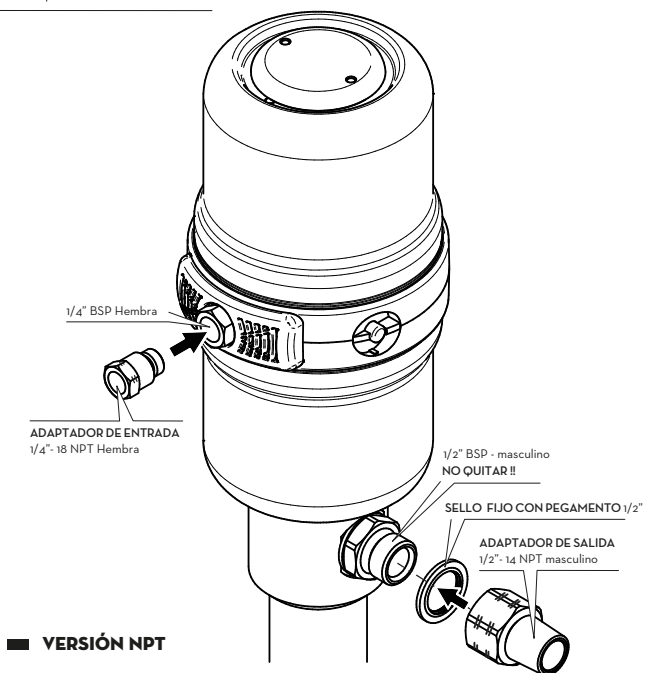
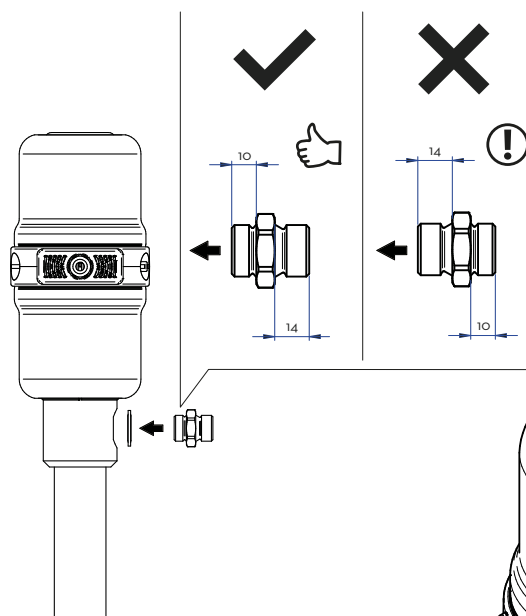
ES



ATENCIÓN

No accione nunca la bomba si no está correctamente montada y fijada. El uso en estas condiciones puede causar graves daños al equipo y a los racores.

■ UNIÓN CORRECTA DEL NIPLO



■ VERSIÓN NPT

13. FUNCIONAMIENTO

Primer uso

Para utilizar correctamente la bomba neumática, se recomienda proceder como se indica a continuación. Estas instrucciones, además, reducen los riesgos para el usuario. En primer lugar, una vez instalada la bomba, cierre todas las válvulas de bola de la línea de aire, el dispositivo de salida y el reductor de presión con manómetro.

Apertura de la línea de aire

Con el regulador de presión en posición de cierre, abra en secuencia las válvulas de bola de la línea de aire. Luego, deje el dispositivo de salida abierto dentro de un recipiente metálico para recoger el líquido tras el cebado de la bomba. Haga esta operación con mucho cuidado, manteniendo la boquilla de salida en contacto con la pared del recipiente. Se recomienda utilizar dispositivos de protección individual.

Apertura del regulador de presión y cebado

Abra el regulador de presión con manómetro lentamente y con la máxima gradualidad. Controle la presión en todo momento con el manómetro y espere a que la bomba neumática se active para permitir el cebado. Cuando se haya expulsado todo el aire de la línea del líquido y este comience a surgir por la válvula de salida, cierre esta válvula.



NOTA

Tras el primer cebado, si la línea de aire está abierta, la bomba se activa automáticamente al abrir la válvula de salida. Cuando se cierra la válvula, la bomba se para.

Uso normal

Se aconseja regular la presión del aire al mínimo suficiente para obtener la salida de líquido deseada. Preste mucha atención al regular la presión.



ATENCIÓN

El sistema suministra fluidos a alta presión, por lo que puede constituir una fuente de peligro para el operador. Se recomienda realizar el primer suministro con cautela y en condiciones de máxima seguridad para hacerse una idea adecuada del funcionamiento de la instalación. Interrumpa el suministro de inmediato si se producen chispas o descargas eléctricas.



ADVERTENCIA

Si la bomba funciona sin líquido o con poco, se puede dañar incluso de modo irreparable. El bombeo en seco hace que aumente la velocidad del motor neumático, con sobrecalentamiento y posibilidad de rotura.

Para el funcionamiento a bajas temperaturas, se aconseja utilizar medios adecuados para evitar la formación de hielo.

No cierre el paso de aire con la bomba aún en marcha. Para asegurar un funcionamiento correcto, la presión no debe ser nunca inferior al valor mínimo indicado.

14. MANTENIMIENTO

Advertencias de seguridad

El sistema de trasiego está diseñado y construido para que necesite un mantenimiento mínimo.

Antes de realizar cualquier tipo de mantenimiento, descargue toda la presión del sistema de trasiego mediante las válvulas purgadoras de aire. Se prohíbe expresamente hacer cualquier operación de mantenimiento con aire comprimido en el circuito, porque la bomba podría arrancar de improviso. Durante el mantenimiento, es obligatorio utilizar los dispositivos de protección individual (DPI). Tenga siempre en cuenta las siguientes recomendaciones mínimas para el buen funcionamiento de la bomba.

Personal autorizado para hacer mantenimiento

Las operaciones de mantenimiento deben ser realizadas exclusivamente por personal especializado. ***Toda manipulación indebida puede menoscabar las prestaciones del equipo y causar daños materiales o personales, además de anular la garantía.***

Operaciones necesarias

Controlar que la etiqueta aplicada al sistema de trasiego no se deteriore ni se despegue.

TODOS LOS DÍAS:

- controlar el estado de las mangueras.

UNA VEZ AL AÑO:

- revisar los componentes del circuito de aire.

15. DIAGNÓSTICO

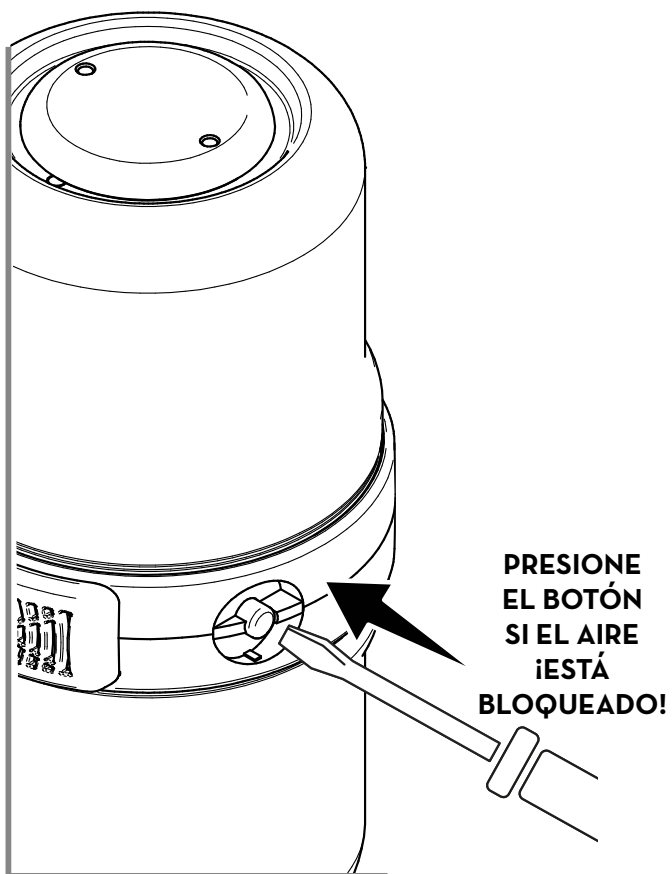


ADVERTENCIA

Antes de hacer cualquier trabajo de control o mantenimiento, cierre el paso de aire y descargue la presión del circuito como se indica en este manual.

Problema	Causa posible	Acción correctora
La bomba no funciona	Baja presión del aire de entrada	Aumentar la presión de entrada del aire
	Líneas de aire obstruidas	Limpiar las líneas de aire
	Válvulas de salida cerradas u obstruidas	Abrir las válvulas de salida o limpiarlas
	Tubos de líquido u otros componentes obstruidos	Controlar la limpieza de los tubos de líquido y de los componentes
	Depósito de líquido vacío	Llenar el depósito
La bomba funciona de modo irregular	Motor neumático dañado	Reparar el motor neumático
	Juntas del pistón desgastadas	Cambiar las juntas dañadas
Pérdida continua de aire	Depósito de líquido vacío	Llenar el depósito
	Falta de estanqueidad de las juntas del motor	Limpiar o cambiar las juntas del motor
La bomba no arranca y pierde aire de los silenciadores.	Bomba parada	Presione el botón de reinicio (RESET) completamente.(ver diagrama abajo)





16. DEMOLICIÓN Y ELIMINACIÓN

- Premisa** En caso de demolición del sistema, sus componentes deberán ser entregados a empresas especializadas en la eliminación y el reciclaje de residuos industriales.
- Eliminación del embalaje** El embalaje está constituido por cartón biodegradable que podrá ser entregado a las empresas correspondientes para el reciclado normal de la celulosa.
- Eliminación de las piezas metálicas** Los componentes metálicos, tanto los pintados, como los de acero inoxidable, pueden ser reciclados normalmente por las empresas especializadas en el sector del desguace de los metales.
- Eliminación de otros componentes** Todos los demás componentes que constituyen el producto, como tubos, juntas de goma, componentes de plástico y cableados, deberán ser entregados a empresas especializadas en la eliminación de residuos industriales.

PORTUGUÊS

BULLETIN MO352 A

ÍNDICE

1. Declaração de conformidade com a CE	104
2. Advertências gerais	105
3. Instruções de segurança e advertências	106
4. Normas de primeiros socorros	106
5. Normas gerais de segurança	107
6. Embalagem do sistema de distribuição	108
7. Conteúdo da embalagem/inspeção preliminar	108
8. Posição dos elementos informativos	109
9. Identificação da máquina e do construtor	110
10. Características técnicas	110
11. Uso previsto	112
12. Instalação	113
13. Funcionamento	117
14. Manutenção	118
15. Diagnóstico	119
16. Demolição e descarte	121

1. DECLARAÇÃO DE CONFORMIDADE COM A CE

A empresa indicada abaixo:

PIUSI S.p.A.

Via Pacinotti 16/a z.i. Rangavino
46029 Suzzara - Mantova - Itália

DECLARA

sob a própria responsabilidade, que o equipamento descrito a seguir:

Descrição: bomba pneumática de duplo efeito para a distribuição de óleo.

Modelo: **PIUSI P 3.5 - PIUSI P 5.5**

Matrícula: consulte o Número de Lote indicado na etiqueta CE impressa no produto.

Ano de construção: consulte o Número de Lote indicado na etiqueta CE impressa no produto.

está de acordo com as disposições de lei que transpõe as direttrizes:

· Diretriz de máquinas 2006/42/CE

A documentação está a disposição da autoridade competente sob solicitação à PIUSI S.p.A. ou solicitando no endereço de email:

doc_tec@piusi.com

A pessoa autorizada que criou o manual técnico e a declaração é *Otto Varini* em qualidade de representação jurídica.

Suzzara, 01/03/2020

Otto Varini
o representante jurídico






2. ADVERTÊNCIAS GERAIS

Advertências importantes

Para preservar a segurança dos operadores, para evitar possíveis danos ao sistema de distribuição e antes de realizar qualquer operação no sistema de distribuição, é fundamental conhecer todo o material de instruções.

Simbologia utilizada no manual

No manual são usados os seguintes símbolos para mostrar indicações e advertências particularmente importantes:

	ATENÇÃO	Indica situações perigosas que, se não forem evitadas, podem causar a morte ou danos graves.
	ADVERTÊNCIA	Este símbolo indica que existe a possibilidade de causar danos ao equipamento e/ou ao seus componentes.
	OBSERVAÇÃO	Este símbolo indica informações úteis.

Conservação do manual

O presente manual deve estar inteiro e legível por completo, o usuário final e os técnicos especializados autorizados para a instalação e manutenção devem poder consultá-lo a qualquer momento.

Direitos de reprodução

Este manual é de propriedade da PIUSI S.p.A., que é titular exclusiva de todos os direitos previstos pelas leis aplicáveis, incluindo, a título de exemplo, as normas em matéria de direito autoral. Todos os direitos decorrentes dessas normas são reservados à PIUSI S.p.A.: a reprodução deste manual, mesmo se parcial, sua publicação, modificação, transcrição, comunicação ao público, distribuição, comercialização em qualquer forma, tradução e/ou elaboração, empréstimo e qualquer outra atividade, são reservadas por lei à PIUSI S.p.A.

Todos os direitos de reprodução deste manual são reservados à PIUSI S.p.A. O texto não pode ser utilizado em outros impressos sem a autorização escrita da PIUSI S.p.A.

© PIUSI S.p.A.

O PRESENTE MANUAL É PROPRIEDADE DA PIUSI S.p.A.
TODA REPRODUÇÃO É PROIBIDA, MESMO PARCIAL.

3. INSTRUÇÕES DE SEGURANÇA e ADVERTÊNCIAS

Verificações antes da instalação Antes de continuar, certifique-se de poder instalar o produto em um lugar ventilador e sem possíveis riscos para o operador e o equipamento.



ATENÇÃO

Uma ventilação inadequada, chamas vivas ou faíscas podem criar condições perigosas e causar incêndios ou explosões e graves lesões.

O dispositivo não é do tipo à prova de explosão. O dispositivo deve ser instalado longe de áreas de perigo de explosão. Não instalar em zonas onde possam estar presentes vapores inflamáveis.

Certifique-se de que os tubos não estejam em proximidade de áreas de movimento, pontas afiadas, partes em movimento ou superfícies quentes. Utilizar os tubos a uma temperatura entre -40 °C e 82 °C.

Intervenções de controle e manutenção

Antes de efetuar qualquer serviço de controle ou manutenção, feche a alimentação de ar e descarregue sempre a pressão do circuito seguindo um procedimento adequado de descompressão e drenagem.

Proibições



ATENÇÃO

É severamente proibido sustentar ou transportar o sistema por intermédio dos tubos ligados a ele.

O dispositivo foi concebido para efetuar o fornecimento de fluidos a altas pressões. Dirigir o fluxo contra qualquer parte do corpo é severamente proibido e pode causar lesões extremamente graves.

4. NORMAS DE PRIMEIROS SOCORROS

Contato com o produto

Para problemas derivados de INJEÇÃO, INALAÇÃO, INGESTÃO ou contato do produto tratado com OLHOS e PELE, consulte a FICHA DE SEGURANÇA adequada.

Líquidos perigosos ou fumaça tóxica podem causar lesões graves ou mortais.

Perigo de injeção de líquidos

O líquido distribuído pode ser acidentalmente injetado no corpo do operador devido a perdas, componentes danificados ou utilização inadequada.

Essa situação exige a intervenção médica de emergência imediata por parte de operadores qualificados. Comunique o pessoal médico com precisão sobre a natureza do líquido injetado.



OBSERVAÇÃO

Consulte as fichas de segurança do líquido distribuído.



ATENÇÃO

Não trate a área de injeção do líquido como uma ferida simples. Solicite intervenção médica de emergência.

5. NORMAS GERAIS DE SEGURANÇA



ATENÇÃO

Não acione o dispositivo se estiver cansado ou sob a influência de drogas ou álcool. Não saia da área de trabalho enquanto o dispositivo estiver ligado e em funcionamento. Não altere nem modifique o dispositivo. Alterações ou modificações no dispositivo podem anular as homologações e causar perigos para a segurança. Mantenha as crianças e animais afastados da área de trabalho. Respeite todas as normas de segurança vigentes.

Características fundamentais do equipamento de proteção

Dispositivos de proteção individual a utilizar

Utilize um equipamento de proteção que seja:

- adequado para as operações a serem realizadas;
- resistente aos produtos utilizados para a limpeza.



sapatos protetores



luvas de proteção



roupas folgadas no corpo



óculos de segurança



Manual de instruções

Luvas de proteção

O contato prolongado com o produto tratado pode provocar irritações na pele. Durante a distribuição, utilizar sempre as luvas de proteção.



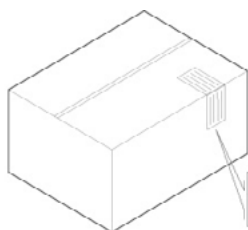
ATENÇÃO

Perigo das partes móveis O dispositivo inclui partes móveis que podem causar esmagamento, corte ou amputação. Aconselha-se cuidado.



- Não se aproxime das partes em movimento durante o acionamento ou a utilização do dispositivo.
- Não acionar o dispositivo quando estiver em os escudos de proteção.

6. EMBALAGEM DO SISTEMA DE DISTRIBUIÇÃO



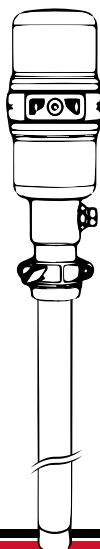
O sistema de distribuição é fornecido embalado em uma caixa de papelão, onde está inserida uma **etiqueta** com as informações do dispositivo (modelo, peso, etc.).

7. CONTEÚDO DA EMBALAGEM/INSPEÇÃO PRELIMINAR



modelo
PIUSI P 3.5 - ST
PIUSI P 5.5 - ST

Grupo de bomba
 para fixação no
 muro.



modelo
PIUSI P 3.5 - 940
PIUSI P 5.5 - 940

Grupo de
 bomba com tubo
 para fixação
 com haste de
 montagem.

Para abrir a embalagem de papel, utilize tesouras ou uma faca, tendo cuidado para não danificar o dispositivo ou os seus componentes. Abra a embalagem e verifique que estejam presentes os componentes fornecidos.



ATENÇÃO

Verifique se os dados da etiqueta correspondem ao desejado. Para qualquer anomalia, entre em contato imediatamente com o fornecedor indicando a natureza dos defeitos. Em caso de dúvida sobre a segurança do equipamento, não utilize-o.



OBSERVAÇÃO

Caso um ou mais componentes descritos não estejam presentes dentro da caixa, entre em contato com o serviço de assistência técnica PIUSI S.p.A.

8. POSIÇÃO DOS ELEMENTOS INFORMATIVOS

No sistema de distribuição foi aplicada uma etiqueta adesiva para indicar as operações de maior relevância para o operador. Deve-se verificar que não estejam deterioradas ou arrancadas. A etiqueta indica as seguintes informações de uso:



OBSERVAÇÃO

Caso seja verificada a ausência ou o deterioramento, mesmo que parcial da etiqueta, solicitamos entrar em contato com nosso escritório de assistência para o envio do material de reposição.



roupas folgadas no corpo



luvas de proteção



Consulte o manual "Instalação, uso e manutenção"

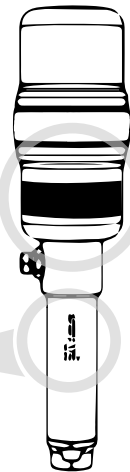


óculos de segurança



sapatos protetores

PT



O carimbo localizado na parte inferior da bomba ou no tubo mostra as informações sobre o dispositivo.

PIUSI SPA - MADE IN ITALY
PIUSI P 5.5 - ST F0021401A
SERIAL N. 0123456789
CE EAC

9. IDENTIFICAÇÃO DA MÁQUINA E DO CONSTRUTOR

O sistema de distribuição tem um carimbo de identificação diretamente na bomba que indica as seguintes informações:

- modelo;
- código de identificação do produto;
- número do lote.



ATENÇÃO

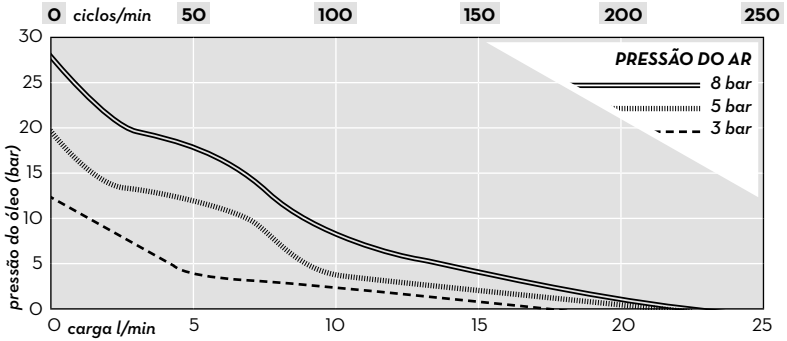
Verifique sempre antes da instalação se o modelo do sistema de distribuição esteja correto.

10. CARACTERÍSTICAS TÉCNICAS

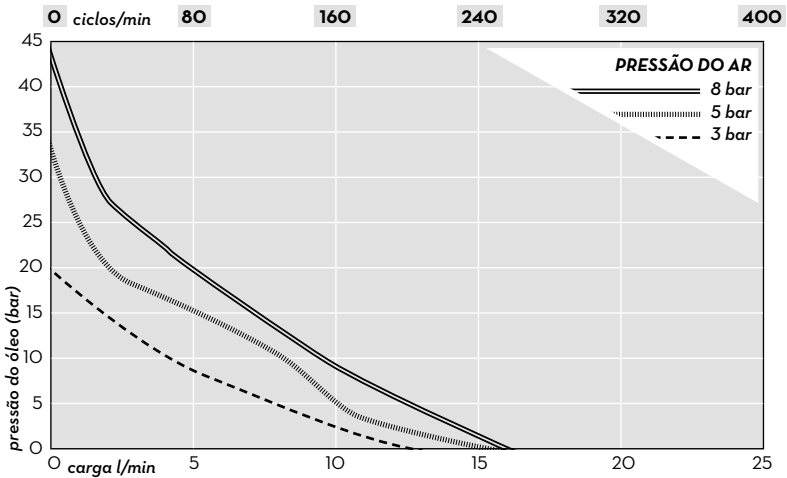
	P 3.5 - ST FOO214000	P 3.5 - 940 FOO214020	P 5.5 - ST FOO214010	P 5.5 - 940 FOO214030
Taxa de compressão	3.5:1	3.5:1	5.5:1	5.5:1
Pressão de ar	3-8 bar 43.5-116 psi	3-8 bar 43.5-116 psi	3-8 bar 43.5-116 psi	3-8 bar 43.5-116 psi
Rosca de entrada de ar	1/4" G	1/4" G	1/4" G	1/4" G
Rosca de entrada de óleo	1" G	1" G	1" G	1" G
Rosca de saída de óleo	1/2" G	1/2" G	1/2" G	1/2" G
Porta de saída livre (8 bar)	21,5 l/min 5.7 USgal/min	21,5 l/min 5.7 USgal/min	15,5 l/min 4.1 USgal/min	15,5 l/min 4.1 USgal/min
Diâmetro do tubo	-	42 mm	-	50 mm
Comprimento do tubo	175 mm	940 mm	175 mm	940 mm
Comprimento total	445 mm	1210 mm	445 mm	1210 mm
Anel de fixação	2" G	2" G	2" G	2" G
Presión de aire	3-7 bar 43.5-101.5 psi	3-7 bar 43.5-101.5 psi	3-7 bar 43.5-101.5 psi	3-7 bar 43.5-101.5 psi

**SAE 20 (ISO VG68) OIL
t=18°C**

P 3.5 - ST P 3.5 - 940



P 5.5 - ST P 5.5 - 940



PT

11. USO PREVISTO

Uso previsto O sistema de distribuição “**PIUSI P 3.5 - PIUSI P 5.5**” foi projetado e construído para a distribuição exclusiva do óleo lubrificante.

Condições de uso O sistema de distribuição “**PIUSI P 3.5 - PIUSI P 5.5**” deve ser utilizado respeitando as seguintes condições:

- *pressão do ar de entrada: 3-7 bar;*
- *pressão máxima de exercício: 55 bar;*
- *certifique-se de que a bomba trabalhe no seu campo de funcionamento nominal.*

Líquidos inflamáveis e atmosfera explosiva



ATENÇÃO

O sistema “**PIUSI P 3.5 - PIUSI P 5.5**” não foi projetado para a distribuição de gasolina, benzina, líquidos inflamáveis com ponto de explosão <55 °C/131 °F, ou para operar em ambientes com atmosfera possivelmente explosiva. É proibida a utilização nas condições citadas acima.

Uso não previsto É absolutamente proibida a utilização do sistema para objetivos diferentes dos previstos e especificados no ponto “Uso previsto”. Qualquer outra utilização diferente da qual o sistema foi projetado e descrito neste manual é considerada “USO IMPRÓPRIO”, portanto, a PIUSI S.p.A. recusa qualquer responsabilidade por eventuais danos causados a coisas, pessoas, animais ou ao próprio sistema.

12. INSTALAÇÃO

Premissa

O sistema de distribuição “**PIUSI P 3.5 - PIUSI P 5.5**” foi projetado e predisposto para ser instalado no muro (nas versões ST) ou diretamente na haste (nas versões 940). De qualquer forma, deve-se garantir uma fixação estável e segura.

Pessoal autorizado para a instalação



ATENÇÃO

É severamente proibido substituir o niple de envio do óleo por outras junções disponíveis no comércio.

As operações de instalação devem ser realizadas apenas por pessoal competente e autorizado, que deve:

- instalar o sistema em um lugar seco e bem ventilado;
- fornecer a instalação correta dos acessórios necessários para o funcionamento correto da bomba.



ATENÇÃO

É absolutamente proibido alterar ou modificar o dispositivo de distribuição. A PIUSI S.p.A. recusa qualquer responsabilidade por danos a pessoas, coisas ou ambiente devido a falta de observância desta prescrição.

É responsabilidade do instalador equipar o sistema com os acessórios necessários para um funcionamento seguro e correto do dispositivo. A utilização de acessórios inadequados ao uso pode causar danos até mesmo graves no dispositivo e/ou ferimentos pessoais. Não utilize o dispositivo se partes importantes dele, acessórios ou dispositivos de segurança estiverem danificados. Providencie imediatamente as substituições e reparos necessários.



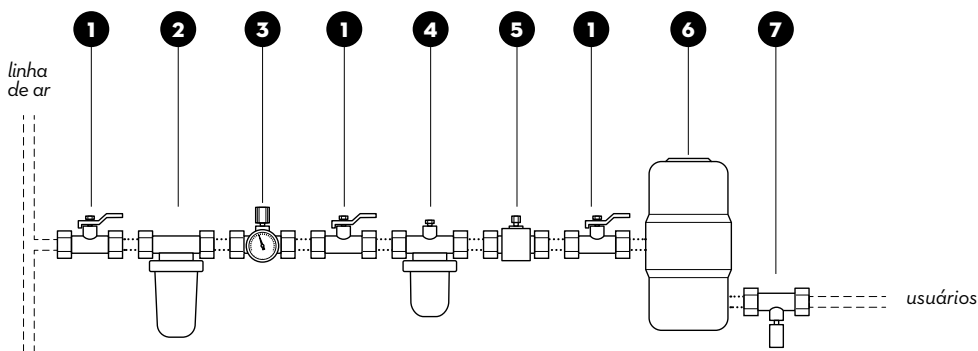
ADVERTÊNCIA

- O sistema de distribuição “**PIUSI P 3.5 - PIUSI P 5.5**” é exclusivo para uso profissional.
- O sistema de distribuição “**PIUSI P 3.5 - PIUSI P 5.5**” deve ser instalado em local com iluminação suficiente, de acordo com as normas vigentes.
- É obrigatório seguir totalmente as disposições das normas de segurança e anti-incêndio vigentes no local de instalação.

Exemplo de instalação

O esquema abaixo representa a título exemplificativo um tipo possível de instalação do sistema "PIUSI P 3.5 - PIUSI P 5.5". É necessário pessoal qualificado para obter assistência na execução do planeamento de uma instalação.

- 1 · Válvula esférica tipo expurgo
- 2 · Filtro
- 3 · Redutor de pressão com manómetro - **Ajustar máx. 7 bar** (elemento obrigatório)
- 4 · Lubrificador
- 5 · Válvula de segurança (elemento obrigatório)
- 6 · Corpo da bomba
- 7 · Válvula de segurança de pressão máx.



Fixação do sistema de distribuição

Fixar o corpo da bomba na parede com segurança (na versão ST) utilizando um dispositivo de montagem adequado ou fixando na tampa da haste (na versão 940) inserindo completamente no tubo e prendendo os parafusos de fixação. Em seguida, conectar a bomba na linha de ar garantindo a presença dos componentes indicados na figura.



ATENÇÃO

- Os acessórios de ar devem ser montados com apoio adequado. Os acessórios do grupo da bomba podem ser danificados pelo peso dos elementos em linha.
- Instalações não em conformidade com o esquema «A» não garantem o funcionamento correto da bomba.
- Pressões de alimentação superiores a 7 bar podem danificar a bomba e o sistema.

Acessórios necessários para utilização em segurança

Válvula esférica tipo descarga (obrigatório)



1 O circuito DEVE NECESSARIAMENTE ter válvulas esféricas tipo descarga à montante do grupo da bomba. Esses dispositivos permitem o fechamento de partes da linha e a descarga de ar comprimida preso. O ar preso pode causar o acionamento inesperado da bomba e provocar graves lesões.

Válvula de segurança para a máxima pressão



7 O circuito DEVE NECESSARIAMENTE ser dotado de válvula de segurança para a máxima pressão, no sistema de distribuição do óleo, logo após o grupo da bomba. O sistema permite descarregar o excesso de pressão perigosa causada pela dilatação térmica do líquido.

Redutor de pressão com manômetro

3 Aconselha-se a instalação de um redutor de pressão com manômetro, para controlar com a máxima comodidade a velocidade e pressão da bomba.

Válvula de segurança

5 Podem ocorrer danos graves sempre que o motor pneumático trabalhar com velocidade excessiva. A presença de uma válvula de segurança garante a interrupção do fluxo ao superar a pressão inserida.

Lubrificador

4 Em caso de utilização intensa, aconselha-se a inserção ad linha de ar de um lubrificador automático para garantir maior duração do motor pneumático. Utilizar exclusivamente óleo para ferramentas pneumáticas ou óleo do motor SAE10. Regular a distribuição com o máximo de uma gota a cada 10 minutos.

Filtro

2 A presença de um filtro de ar à montante do grupo da bomba permite a remoção de sujeitas e elementos contaminantes, aumentando a vida do motor pneumático.

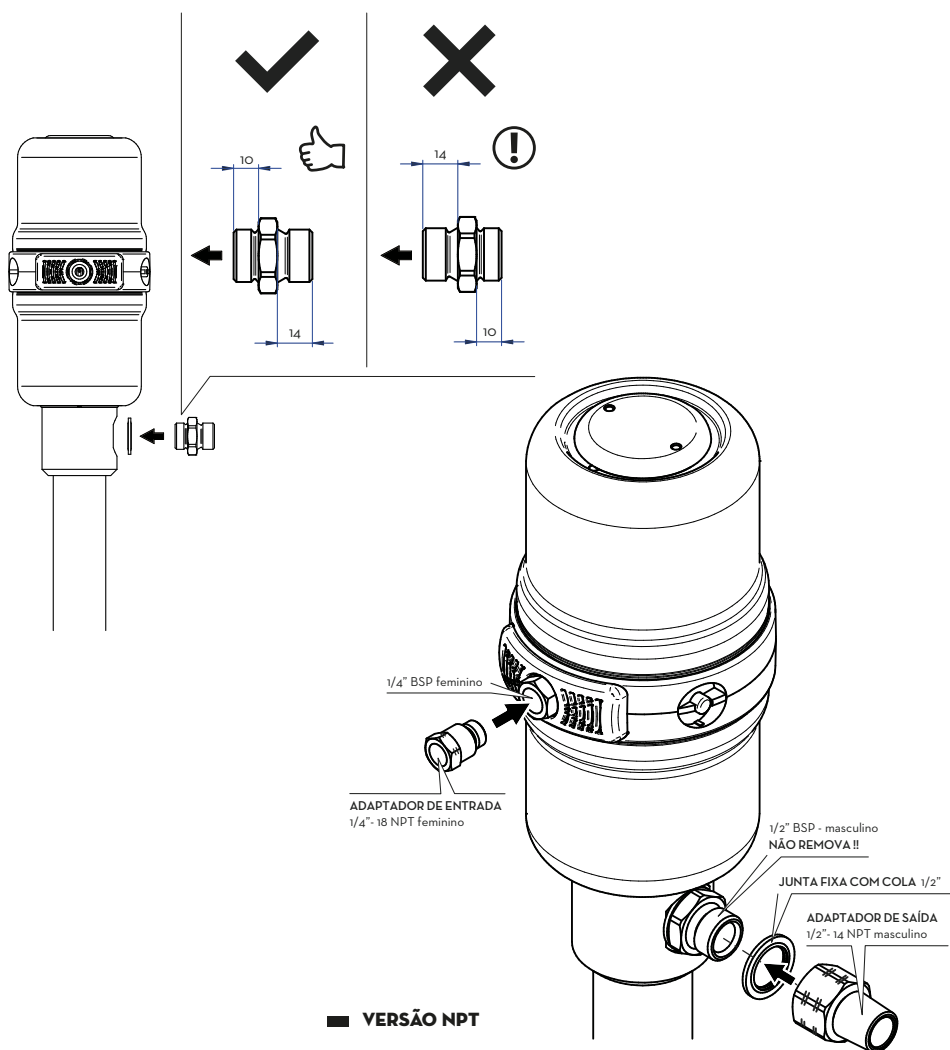
PT



ATENÇÃO

Nunca acionar a bomba quando não estiver montada e fixada corretamente. Essa utilização pode provocar graves danos ao dispositivo e conexões.

■ ASSEMBLEIA CORRETA DO NIPPLLO



13. FUNCIONAMIENTO

Primeira utilização Para utilizar de forma adequada a bomba pneumática, aconselha-se seguir o procedimento indicado abaixo. Isso permite a redução de riscos para o operador. A condição de partida, no final da instalação do produto, deve prever o fechamento de todas as válvulas esféricas na linha de ar, o fechamento do dispositivo de distribuição e do redutor de pressão com manômetro.

Abertura da linha de ar Mantendo o regulador de pressão na posição de fechamento, abra em sequência as válvulas esféricas da linha de ar. Portanto, mantenha a válvula de distribuição aberta em um recipiente metálico adequado para recolher o líquido retirado. Ter muita atenção, mantendo o bico de distribuição em contato com a parede do recipiente. Recomenda-se a utilização de dispositivos de proteção individual.

Abertura da pressão e retirada Abrir lentamente o regulador de pressão com manômetro, com a máxima gradualidade. Manter controlada a pressão com o indicador do manômetro e aguardar para sentir a entrada em função da bomba pneumática para permitir a retirada. Quando todo o ar contido na linha de líquido for expulso e a válvula de distribuição começou a distribuir, feche a válvula de distribuição.



OBSERVAÇÃO

Depois da primeira retirada, é suficiente que a linha de ar esteja aberta para que a abertura da válvula de distribuição leve a um acionamento imediato da bomba pneumática. O fechamento da linha de distribuição leva à parada da bomba pneumática.

Utilização normal

Aconselha-se regular a pressão para a quantidade de ar mínima suficiente para atingir os resultados de distribuição desejados. Recomenda-se máxima atenção na regulagem da pressão.



ATENÇÃO

O sistema fornece fluidos a alta pressão, a ponto de ser fonte de perigo para o operador. Recomenda-se executar o primeiro fornecimento com cuidado e em condições de máxima segurança, com a finalidade de adquirir uma percepção correta do funcionamento do equipamento. Interrompa imediatamente o fornecimento na presença de faíscas ou descargas elétricas.



ADVERTÊNCIA

A utilização do grupo de bomba a seco, sem líquido ou com pouco líquido, pode levar a danos de forma irrecuperável. O bombeamento a seco envolve um aumento de velocidade de curso do motor pneumático, com superaquecimento e possível quebra.

Em caso de funcionamento com baixa temperatura, aconselha-se utilizar sistemas de proteção da formação de gelo.

Recomenda-se não fechar a alimentação do ar com a bomba ainda em funcionamento. Para o seu funcionamento correto, nunca diminuir abaixo da pressão mínima indicada.

14. MANUTENÇÃO

Advertência de segurança

O sistema de distribuição foi projetado e construído para exigir uma manutenção mínima. Antes de realizar qualquer tipo de manutenção, o sistema de distribuição deve ser descomprimido com auxílio das válvulas esféricas de sopra. É expressamente proibido qualquer intervenção de manutenção sempre que haja ar comprimido dentro do circuito capaz de provocar um acionamento inesperado da bomba. Durante a manutenção é obrigatório utilizar os equipamentos de proteção individual (EPI). Considere sempre as seguintes recomendações mínimas para um bom funcionamento da bomba.

Pessoal autorizado para as intervenções de manutenção

As intervenções de manutenção devem ser seguidas exclusivamente por pessoal especializado. *Qualquer alteração pode levar à diminuição do desempenho e perigo para pessoas e/ou coisas, além do cancelamento da garantia.*

Intervenções para realizar

Verificar se a etiqueta presente no sistema de distribuição não se deteriore ou solte com o tempo.

COTIDIANAMENTE:

- verificar um estado de manutenção adequado dos tubos flexíveis.

UMA VEZ POR ANO:

- revisar os componentes do circuito de ar.

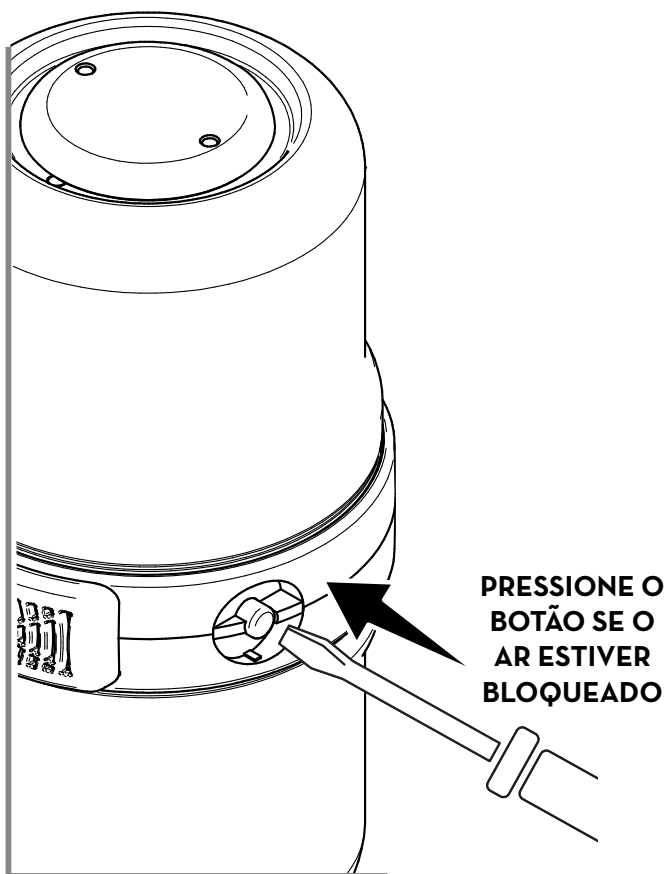
15. DIAGNÓSTICO



ADVERTÊNCIA

Antes de qualquer intervenção de controle ou manutenção, feche o ar e descarregue a pressão do circuito seguindo o procedimento de descompressão indicado no presente manual.

Problema	Possível causa	Ação corretiva
A bomba não funciona	Pressão insuficiente do ar de entrada	Aumentar a pressão do ar de entrada
	Linha de ar fechada	Limpar as linhas de ar
	Válvula de distribuição fechada ou obstruída	Abrir ou limpar as válvulas de distribuição
	Linha do líquido ou outros componentes obstruída	Verificar a limpeza das linhas de líquido e dos componentes
	Sem líquido no reservatório	Continuar com o enchimento do reservatório
	Motor pneumático danificado	Consertar o motor pneumático
A bomba funciona de forma irregular	Consumo das vedações do pistão	Substituir as vedações danificadas
	Sem líquido no reservatório	Continuar com o enchimento do reservatório
Perda contínua de ar	Juntas de vedação do motor insuficiente	Limpar ou substituir as vedações do motor
A bomba não liga e perde ar dos silenciadores.	Bomba bloqueada	Pressione o botão reset (RESET) completamente (veja o diagrama abaixo).



16. DEMOLIÇÃO E DESCARTE

Premissa	Em caso de demolição do sistema, as partes de composição devem ser confiadas a empresas especializadas para o descarte e a reciclagem dos lixo industrial.
Descarte da embalagem	A embalagem é constituída por papel biodegradável que pode ser entregue a empresas para a recuperação normal da celulose.
Descarte das partes metálicas	As partes metálicas, incluindo aquelas envernizadas, podem ser recuperadas por empresas especializadas no setor de sucata metálica.
Descarte de outras partes	Outras partes que constituem o produto, como tubos, vedações em borracha, partes em plástico e cabeamentos, devem ser confiadas a empresas especializadas para o descarte de lixo industrial.

© PIUSI S.p.A.

EN. This document has been drawn up with the greatest attention to precision and accuracy of all data herein contained. Nevertheless, PIUSI S.p.A. denies liability for any possible mistake or omission.

FR. Ce document a été rédigé avec la plus grande attention quant à l'exactitude des données qu'il contient. PIUSI S.p.A. n'assume aucune responsabilité pour les éventuelles erreurs et omissions.

DE. Die vorliegende Unterlage wurde mit größter Aufmerksamkeit abgefasst, was die Genauigkeit der darin enthaltenen Daten anbetrifft. Die Firma PIUSI S.p.A. übernimmt keine Haftung für etwaige Fehler oder Auslassungen.

IT. Il presente documento è stato redatto con la massima attenzione circa la precisione dei dati in esso contenuti. Tuttavia, PIUSI S.p.A. non si assume responsabilità per eventuali errori ed omissioni.

ES. El presente documento ha sido redactado prestando la máxima atención a la precisión de los datos en él contenidos. PIUSI S.p.A. no se hace responsable de posibles errores y omisiones.

PT. O presente documento foi resumido com máxima atenção sobre a precisão dos dados contidos. Todavia, a PIUSI S.p.A. não é responsável por eventuais erros ou omissões.



*Fluid Handling
Innovation*

piusi.com
PIUSI SpA • Suzzara MN Italy