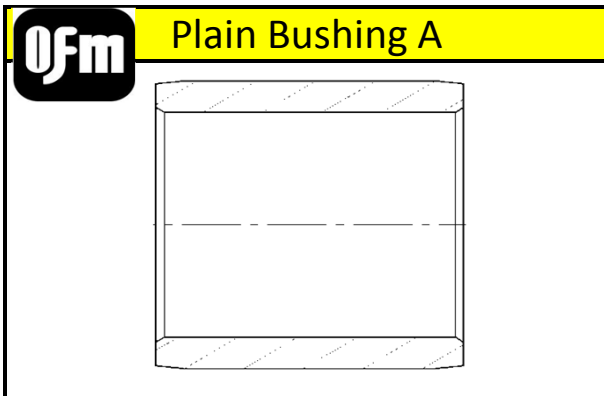




OFM Standard Products Heavy Duty Equipments

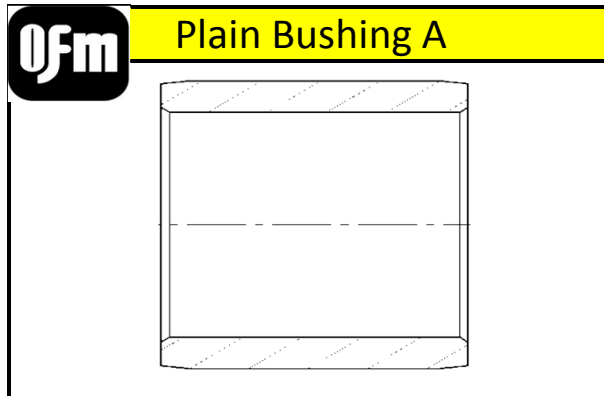


	Material specifications	APPLICATION	
Standard Steel Hardened Bushings Type A	<p>Hardened steel bushings are excellent for low speed/ high load, or pivot applications. These hardened steel bushings are commonly used to protect an housing from premature wear due to the friction with a pin.</p> <p>They are manufactured with high carbon steel and thru-hardened to 56-62 HRC. Hardened steel bushings require daily or maximum weekly greasing.</p>	Arm, bucket and cylinder joints of wheel loaders, excavators, backhoe loaders	
Standard Steel Hardened Bushings Type B		Arm, bucket and cylinder joints of wheel loaders, excavators, backhoe loaders	
Standard Steel Hardened Bushings Type BCD		Arm, bucket and cylinder joints of wheel loaders, excavators, backhoe loaders	
Standard Steel Hardened Bushings Type BE		Arm, bucket and cylinder joints of wheel loaders, excavators, backhoe loaders	
Standard Steel Hardened Bushings Type CD		Arm, bucket and cylinder joints of wheel loaders, excavators, backhoe loaders	
Standard Steel Hardened Bushings Type CDE		Arm, bucket and cylinder joints of wheel loaders, excavators, backhoe loaders	
Standard Steel Hardened Bushing Flanged		Arm, bucket and cylinder joints of wheel loaders, excavators, backhoe loaders	<p>CONTACT DESIGN CONTROL FOR NEW RELEASE</p>
Standard Dust seals KPU	Material specifications : Polyurethane Hardness = HS95 . Long lasting and compatibility with all grease for articulation.	Arm, bucket and cylinder joints of wheel loaders, excavators, backhoe loaders	<p>DUST WIPER SEAL</p> <p>KPU</p>
Standard Dust seals KPD	Material specifications : Polyurethane Hardness = HS95 . Long lasting and compatibility with all grease for articulation.	Arm, bucket and cylinder joints of wheel loaders, excavators, backhoe loaders	<p>DUST WIPER SEAL</p> <p>KPD</p>
Standard Hardened Shims/Spacers	They are manufactured with C70 steel and thru-hardened to 40-45 HRC	Arm, bucket and cylinder joints of wheel loaders, excavators, backhoe loaders	



Plain Bushing A

OFM P. Number	SIZE			Type
	Inner Diameter	Outer Diameter	Height	
B030040025A	30	40	25	A
B030040030A	30	40	30	A
B032038037A	32	38	37	A
B035045032A	35	45	32	A
B035045035A	35	45	35	A
B035045040A	35	45	40	A
B035045045A	35	45	45	A
B035045050A	35	45	50	A
B035045055A	35	45	55	A
B038048032A	38	48	32	A
B038050035A	38	50	35	A
B040030030A	40	30	30	A
B040048032A	40	48	32	A
B040050040A	40	50	40	A
B040050045A	40	50	45	A
B040050050A	40	50	50	A
B040050055A	40	50	55	A
B040050060A	40	50	60	A
B040050065A	40	50	65	A
B045035032A	45	35	32	A
B045035035A	45	35	35	A
B045035040A	45	35	40	A
B045055040A	45	55	40	A
B045055045A	45	55	45	A
B045055050A	45	55	50	A
B045055055A	45	55	55	A
B045055060A	45	55	60	A
B050040040A	50	40	40	A
B050058035A	50	58	35	A
B050060040A	50	60	40	A
B050060045A	50	60	45	A
B050060048A	50	60	48	A
B050060050A	50	60	50	A
B050060055A	50	60	55	A
B050060060A	50	60	60	A
B050060065A	50	60	65	A
B050060075A	50	60	75	A
B060070054A	60	70	54	A
B060070093A	60	70	93	A
B060070105A	60	70	105	A
B065080070A	65	80	70	A
B070080086A	70	80	86	A
B070080104A	70	80	104	A
B070085032A	70	85	32	A
B070085035A	70	85	35	A

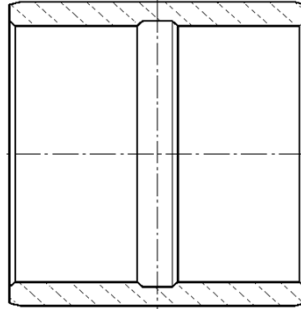


Plain Bushing A

OFM P. Number	SIZE			Type
	Inner Diameter	Outer Diameter	Height	
B070086030A	70	86	30	A
B071086032A	71	86	32	A
B071086035A	71	86	35	A
B071086055A	71	86	55	A
B080090065A	80	90	65	A
B080090084A	80	90	84	A
B080090095A	80	90	95	A
B080090109A	80	90	109	A
B080095032A	80	95	32	A
B080095035A	80	95	35	A
B080095040A	80	95	40	A
B080095055A	80	95	55	A
B080095060A	80	95	60	A
B080095065A	80	95	65	A
B080095070A	80	95	70	A
B080095080A	80	95	80	A
B085095075A	85	95	75	A
B085100080A	85	100	80	A
B085100090A	85	100	90	A
B090100080A	90	100	80	A
B090100083A	90	100	83	A
B090100113A	90	100	113	A
B090100128A	90	100	128	A
B090100133A	90	100	133	A
B090105036A	90	105	36	A
B090105050A	90	105	50	A
B090105060A	90	105	60	A
B090105140A	90	105	140	A
B100115052A	100	115	52	A
B100115060A	100	115	60	A
B100115070A	100	115	70	A
B100115110A	100	115	110	A
B100115115A	100	115	115	A
B100115120A	100	115	120	A
B100115130A	100	115	130	A
B115125083A	115	125	83	A
B120130113A	120	130	113	A
B120130140A	120	130	140	A
B120140080A	120	140	80	A
B160180095A	160	180	95	A



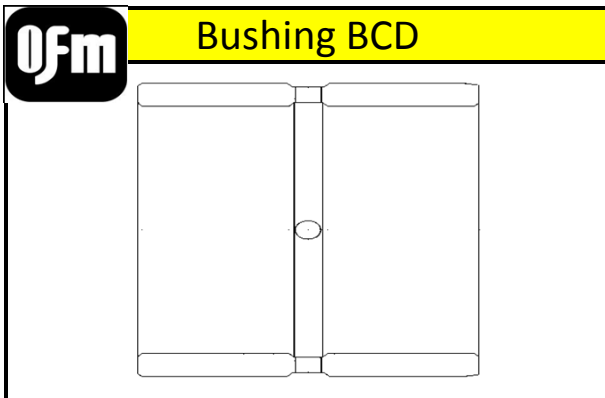
Bushing B



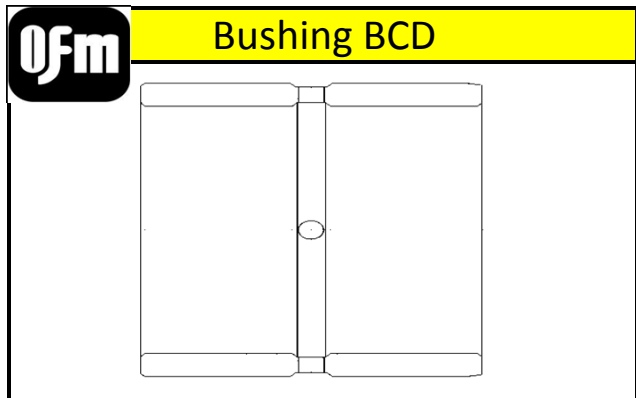
OFM P. Number	SIZE			Type
	Inner Diameter	Outer Diameter	Height	
B030040025B	30	40	25	B
B030040028B	30	40	28	B
B030040030B	30	40	30	B
B035045040B	35	45	40	B
B050058032B	50	58	32	B
B050062040B	50	62	40	B
B060075040B	60	75	40	B
B060075060B	60	75	60	B
B065080055B	65	80	55	B
B070085065B	70	85	65	B
B070085070B	70	85	70	B
B070085078B	70	85	78	B
B070085080B	70	85	80	B
B075090075B	75	90	75	B
B080095078B	80	95	78	B
B080095080B	80	95	80	B
B080095085B	80	95	85	B
B085100065B	85	100	65	B
B085100080B	85	100	80	B
B085100085B	85	100	85	B
B090105070B	90	105	70	B
B095110070B	95	110	70	B
B095110080B	95	110	80	B
B100115110B	100	115	110	B
B100115115B	100	115	115	B
B100115120B	100	115	120	B
B100115130B	100	115	130	B
B100116080B	100	116	80	B
B110125090B	110	125	90	B
B110125100B	110	125	100	B
B110125105B	110	125	105	B
B110130090B	110	130	90	B
B120135105B	120	135	105	B
B140155135B	140	155	135	B
B160180140B	160	180	140	B
B180200140B	180	200	140	B

All manufactures names, numbers, symbols and descriptions are for reference purposes only, and it is not implied any part is that of these ma

All efforts have been made to ensure that the information contained herein is correct. Ofm cannot be held responsible for its accuracy

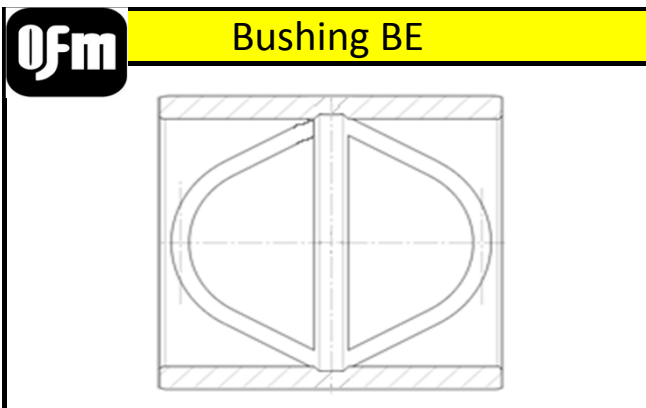


OFM P. Number	SIZE			Type
	Inner Diameter	Outer Diameter	Height	
B030040030BCD	30	40	30	BCD
B035045035BCD	35	45	35	BCD
B035045040BCD	35	45	40	BCD
B035045050BCD	35	45	50	BCD
B040050030BCD	40	50	30	BCD
B040050040BCD	40	50	40	BCD
B045035040BCD	45	35	40	BCD
B045055045BCD	45	55	45	BCD
B045055050BCD	45	55	50	BCD
B050040045BCD	50	40	45	BCD
B050060040BCD	50	60	40	BCD
B050060050BCD	50	60	50	BCD
B050060070BCD	50	60	70	BCD
B050062070BCD	50	62	70	BCD
B055065040BCD	55	65	40	BCD
B055068045BCD	55	68	45	BCD
B060050050BCD	60	50	50	BCD
B060070060BCD	60	70	60	BCD
B060070093BCD	60	70	93	BCD
B060075050BCD	60	75	50	BCD
B060075060BCD	60	75	60	BCD
B060075065BCD	60	75	65	BCD
B060075080BCD	60	75	80	BCD
B060075090BCD	60	75	90	BCD
B065080055BCD	65	80	55	BCD
B065080060BCD	65	80	60	BCD
B065080065BCD	65	80	65	BCD
B065080080BCD	65	80	80	BCD
B070080095BCD	70	80	95	BCD
B070085050BCD	70	85	50	BCD
B070085060BCD	70	85	60	BCD
B070085067BCD	70	85	67	BCD
B070085070BCD	70	85	70	BCD
B070085075BCD	70	85	75	BCD
B070085085BCD	70	85	85	BCD
B070085090BCD	70	85	90	BCD
B075090080BCD	75	90	80	BCD
B075090085BCD	75	90	85	BCD
B080090080BCD	80	90	80	BCD
B080090090BCD	80	90	90	BCD
B080090105BCD	80	90	105	BCD
B080090110BCD	80	90	110	BCD
B080095060BCD	80	95	60	BCD
B080095062BCD	80	95	62	BCD
B080095070BCD	80	95	70	BCD
B080095080BCD	80	95	80	BCD
B080095085BCD	80	95	85	BCD

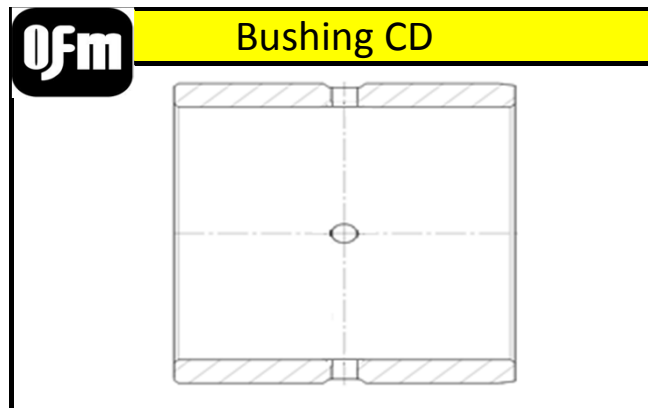


OFM P. Number	SIZE			Type
	Inner Diameter	Outer Diameter	Height	
B080095090BCD	80	95	90	BCD
B080095100BCD	80	95	100	BCD
B080095105BCD	80	95	105	BCD
B080095110BCD	80	95	110	BCD
B080095120BCD	80	95	120	BCD
B080095125BCD	80	95	125	BCD
B085100070BCD	85	100	70	BCD
B090100133BCD	90	100	133	BCD
B090105096BCD	90	105	96	BCD
B090106070BCD	90	106	70	BCD
B090106090BCD	90	106	90	BCD
B090106095BCD	90	106	95	BCD
B090106100BCD	90	106	100	BCD
B090106110BCD	90	106	110	BCD
B090106120BCD	90	106	120	BCD
B090106130BCD	90	106	130	BCD
B100116100BCD	100	116	100	BCD
B100116110BCD	100	116	110	BCD
B100116120BCD	100	116	120	BCD
B100116130BCD	100	116	130	BCD
B100116140BCD	100	116	140	BCD
B110125090BCD	110	125	90	BCD
B110125100BCD	110	125	100	BCD
B110125140BCD	110	125	140	BCD
B110130100BCD	110	130	100	BCD
B110130110BCD	110	130	110	BCD
B110130130BCD	110	130	130	BCD
B110130145BCD	110	130	145	BCD
B120135095BCD	120	135	95	BCD
B120135105BCD	120	135	105	BCD
B120135160BCD	120	135	160	BCD
B120135175BCD	120	135	175	BCD
B120140120BCD	120	140	120	BCD
B120140130BCD	120	140	130	BCD
B130154120BCD	130	154	120	BCD
B130154130BCD	130	154	130	BCD
B130154140BCD	130	154	140	BCD
B130154150BCD	130	154	150	BCD
B130154160BCD	130	154	160	BCD
B130154165BCD	130	154	165	BCD
B140155135BCD	140	155	135	BCD
B140155197BCD	140	155	197	BCD
B140164110BCD	140	164	110	BCD
B140164130BCD	140	164	130	BCD
B140168090BCD	140	168	90	BCD
B160184170BCD	160	184	170	BCD
B160190160BCD	160	190	160	BCD

manufactures names, numbers, symbols and descriptions are for reference purposes only, and it is not implied any part is that of these manufacturers.
 parts have been made to ensure that the information contained herein is correct. Ofm cannot be held responsible for its accuracy



OFM P. Number	SIZE			Type
	Inner Diameter	Outer Diameter	Height	
B060075095BE	60	75	95	BE
B065078048BE	65	78	48	BE
B070085070BE	70	85	70	BE
B078065048BE	78	65	48	BE
B080095080BE	80	95	80	BE
B095110080BE	95	110	80	BE
B110125090BE	110	125	90	BE
B110130065BE	110	130	65	BE
B120135100BE	120	135	100	BE
B120135120BE	120	135	120	BE
B120135130BE	120	135	130	BE
B130150120BE	130	150	120	BE
B140155149BE	140	155	149	BE



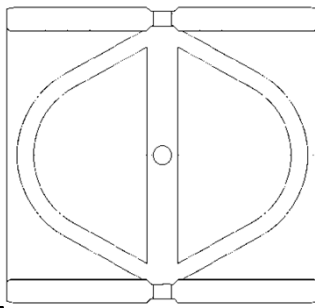
OFM P. Number	SIZE			Type
	Inner Diameter	Outer Diameter	Height	
B040050040CD	40	50	40	CD
B040050045CD	40	50	45	CD
B045035040CD	45	35	40	CD
B050040045CD	50	40	45	CD
B050060050CD	50	60	50	CD
B060050050CD	60	50	50	CD
B100116056CD	100	116	56	CD

All manufactures names, numbers, symbols and descriptions are for reference purposes only, and it is not implied any part is that of these manufacturers.

All efforts have been made to ensure that the information contained herein is correct. Ofm cannot be held responsible for its accuracy



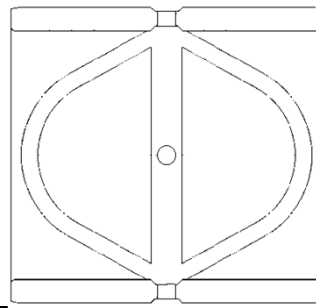
Bushing CDE



OFM P. Number	SIZE			Type
	Inner Diameter	Outer Diameter	Height	
B030040030CDE	30	40	30	CDE
B030040040CDE	30	40	40	CDE
B030040050CDE	30	40	50	CDE
B030078065CDE	30	78	65	CDE
B035040050CDE	35	40	50	CDE
B035045032CDE	35	45	32	CDE
B035045040CDE	35	45	40	CDE
B035045045CDE	35	45	45	CDE
B035045050CDE	35	45	50	CDE
B035050050CDE	35	50	50	CDE
B038050050CDE	38	50	50	CDE
B040050040CDE	40	50	40	CDE
B040050045CDE	40	50	45	CDE
B040050050CDE	40	50	50	CDE
B045055030CDE	45	55	30	CDE
B045055040CDE	45	55	40	CDE
B045055045CDE	45	55	45	CDE
B045055050CDE	45	55	50	CDE
B045055060CDE	45	55	60	CDE
B045060040CDE	45	60	40	CDE
B045060045CDE	45	60	45	CDE
B045060050CDE	45	60	50	CDE
B048078065CDE	48	78	65	CDE
B050060045CDE	50	60	45	CDE
B050060050CDE	50	60	50	CDE
B050060060CDE	50	60	60	CDE
B050060065CDE	50	60	65	CDE
B050065050CDE	50	65	50	CDE
B050085070CDE	50	85	70	CDE
B055065050CDE	55	65	50	CDE
B055065060CDE	55	65	60	CDE
B055065080CDE	55	65	80	CDE
B055070050CDE	55	70	50	CDE
B055070060CDE	55	70	60	CDE
B060070060CDE	60	70	60	CDE
B060070070CDE	60	70	70	CDE
B060070080CDE	60	70	80	CDE
B060070090CDE	60	70	90	CDE
B060070100CDE	60	70	100	CDE
B060075060CDE	60	75	60	CDE
B060075065CDE	60	75	65	CDE
B060075080CDE	60	75	80	CDE
B060075090CDE	60	75	90	CDE
B065075070CDE	65	75	70	CDE
B065075080CDE	65	75	80	CDE
B065075090CDE	65	75	90	CDE
B065075100CDE	65	75	100	CDE

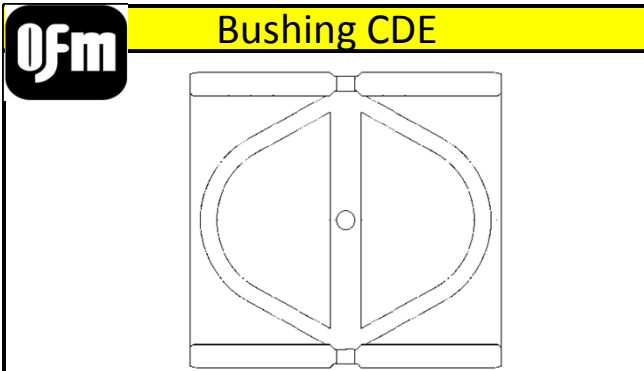


Bushing CDE



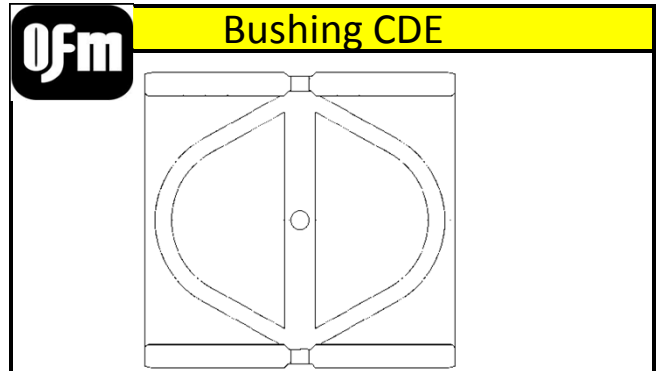
OFM P. Number	SIZE			Type
	Inner Diameter	Outer Diameter	Height	
B065075110CDE	65	75	110	CDE
B065078030CDE	65	78	30	CDE
B065078048CDE	65	78	48	CDE
B065080050CDE	65	80	50	CDE
B065080058CDE	65	80	58	CDE
B065080060CDE	65	80	60	CDE
B065080065CDE	65	80	65	CDE
B065080070CDE	65	80	70	CDE
B065080080CDE	65	80	80	CDE
B070080060CDE	70	80	60	CDE
B070080070CDE	70	80	70	CDE
B070080090CDE	70	80	90	CDE
B070080100CDE	70	80	100	CDE
B070080110CDE	70	80	110	CDE
B070085040CDE	70	85	40	CDE
B070085050CDE	70	85	50	CDE
B070085060CDE	70	85	60	CDE
B070085070CDE	70	85	70	CDE
B070085075CDE	70	85	75	CDE
B070085080CDE	70	85	80	CDE
B070085085CDE	70	85	85	CDE
B070085086CDE	70	85	86	CDE
B070085090CDE	70	85	90	CDE
B070085093CDE	70	85	93	CDE
B070085125CDE	70	85	125	CDE
B075085070CDE	75	85	70	CDE
B075085090CDE	75	85	90	CDE
B075085110CDE	75	85	110	CDE
B075090060CDE	75	90	60	CDE
B075090065CDE	75	90	65	CDE
B075090075CDE	75	90	75	CDE
B075090080CDE	75	90	80	CDE
B080090070CDE	80	90	70	CDE
B080090090CDE	80	90	90	CDE
B080090110CDE	80	90	110	CDE
B080090120CDE	80	90	120	CDE
B080095050CDE	80	95	50	CDE
B080095060CDE	80	95	60	CDE
B080095062CDE	80	95	62	CDE
B080095070CDE	80	95	70	CDE
B080095072CDE	80	95	72	CDE
B080095075CDE	80	95	75	CDE
B080095080CDE	80	95	80	CDE
B080095085CDE	80	95	85	CDE
B080095090CDE	80	95	90	CDE
B080095095CDE	80	95	95	CDE
B080095100CDE	80	95	100	CDE

Manufacturers names, numbers, symbols and descriptions are for reference purposes only, and it is not implied any parts that of these manufacturers. Parts have been made to ensure that the information contained herein is correct. Ofm cannot be held responsible for its accuracy



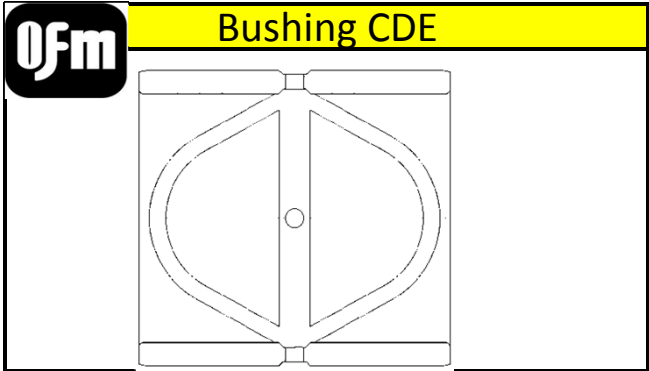
Bushing CDE

OFM P. Number	SIZE			Type
	Inner Diameter	Outer Diameter	Height	
B080095105CDE	80	95	105	CDE
B080095110CDE	80	95	110	CDE
B080095120CDE	80	95	120	CDE
B080095125CDE	80	95	125	CDE
B080100085CDE	80	100	85	CDE
B080110090CDE	80	110	90	CDE
B085070060CDE	85	70	60	CDE
B085070070CDE	85	70	70	CDE
B085095100CDE	85	95	100	CDE
B085100070CDE	85	100	70	CDE
B085100080CDE	85	100	80	CDE
B085100090CDE	85	100	90	CDE
B090100110CDE	90	100	110	CDE
B090100133CDE	90	100	133	CDE
B090105070CDE	90	105	70	CDE
B090105080CDE	90	105	80	CDE
B090105090CDE	90	105	90	CDE
B090105096CDE	90	105	96	CDE
B090105100CDE	90	105	100	CDE
B090105105CDE	90	105	105	CDE
B090105110CDE	90	105	110	CDE
B090105130CDE	90	105	130	CDE
B090106089CDE	90	106	89	CDE
B090106090CDE	90	106	90	CDE
B090106100CDE	90	106	100	CDE
B090106110CDE	90	106	110	CDE
B090106120CDE	90	106	120	CDE
B090106130CDE	90	106	130	CDE
B090110075CDE	90	110	75	CDE
B090110080CDE	90	110	80	CDE
B090110090CDE	90	110	90	CDE
B090110100CDE	90	110	100	CDE
B090110110CDE	90	110	110	CDE
B090110120CDE	90	110	120	CDE
B090110135CDE	90	110	135	CDE
B095110080CDE	95	110	80	CDE
B095110095CDE	95	110	95	CDE
B100110080CDE	100	110	80	CDE
B100110090CDE	100	110	90	CDE
B100110100CDE	100	110	100	CDE
B100110120CDE	100	110	120	CDE
B100110124CDE	100	110	124	CDE
B100110135CDE	100	110	135	CDE
B100110138CDE	100	110	138	CDE
B100115074CDE	100	115	74	CDE
B100115080CDE	100	115	80	CDE
B100115090CDE	100	115	90	CDE



Bushing CDE

OFM P. Number	SIZE			Type
	Inner Diameter	Outer Diameter	Height	
B100115095CDE	100	115	95	CDE
B100115100CDE	100	115	100	CDE
B100115106CDE	100	115	106	CDE
B100115110CDE	100	115	110	CDE
B100115115CDE	100	115	115	CDE
B100115120CDE	100	115	120	CDE
B100115125CDE	100	115	125	CDE
B100115130CDE	100	115	130	CDE
B100116100CDE	100	116	100	CDE
B100116110CDE	100	116	110	CDE
B100116120CDE	100	116	120	CDE
B100116140CDE	100	116	140	CDE
B100120080CDE	100	120	80	CDE
B100120090CDE	100	120	90	CDE
B100120100CDE	100	120	100	CDE
B100120120CDE	100	120	120	CDE
B100130100CDE	100	130	100	CDE
B106090090CDE	106	90	90	CDE
B110095080CDE	110	95	80	CDE
B110116140CDE	110	116	140	CDE
B110120120CDE	110	120	120	CDE
B110120140CDE	110	120	140	CDE
B110125100CDE	110	125	100	CDE
B110125116CDE	110	125	116	CDE
B110125140CDE	110	125	140	CDE
B110130100CDE	110	130	100	CDE
B110130110CDE	110	130	110	CDE
B110130120CDE	110	130	120	CDE
B110130130CDE	110	130	130	CDE
B110135110CDE	110	135	110	CDE
B120130140CDE	120	130	140	CDE
B120130160CDE	120	130	160	CDE
B120135100CDE	120	135	100	CDE
B120135130CDE	120	135	130	CDE
B120135155CDE	120	135	155	CDE
B120140058CDE	120	140	58	CDE
B120140110CDE	120	140	110	CDE
B120140111CDE	120	140	111	CDE
B120140120CDE	120	140	120	CDE
B120140130CDE	120	140	130	CDE
B130110110CDE	130	110	110	CDE
B130154130CDE	130	154	130	CDE
B130154140CDE	130	154	140	CDE
B130155130CDE	130	155	130	CDE
B140155213CDE	140	155	213	CDE
B140160132CDE	140	160	132	CDE
B140160164CDE	140	160	164	CDE

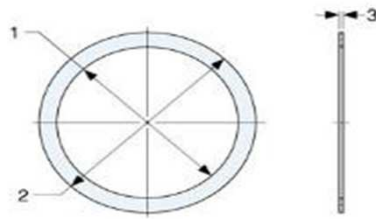


OFM P. Number	SIZE			Type
	Inner Diameter	Outer Diameter	Height	
B140160180CDE	140	160	180	CDE
B140164120CDE	140	164	120	CDE
B140164134CDE	140	164	134	CDE
B140164140CDE	140	164	140	CDE
B150180150CDE	150	180	150	CDE
B150180184CDE	150	180	184	CDE
B160180146CDE	160	180	146	CDE
B160180160CDE	160	180	160	CDE
B180200225CDE	180	200	225	CDE

All manufactures names, numbers, symbols and descriptions are for reference purposes only, and it is not implied any part is that of these manufacturers.

All efforts have been made to ensure that the information contained herein is correct. Ofm cannot be held responsible for its accuracy

OFM Standard Hardened Steel Shims/Spacers



STANDARD Hardened Steel Shims/Spacers



OFM CODE Number	1 Inside diameter	2 Outside diameter	3 Length -	OFM CODE Number	1 Inside diameter	2 Outside diameter	3 Length -
21X60X0,5	21,00	60,00	0,50	76X185X0,5	76,00	185,00	0,50
25X35X0,5	25,00	35,00	0,50	77X120X0,5	77,00	120,00	0,50
25X62X0,5	25,00	62,00	0,50	80X140X0,5	80,00	140,00	0,50
25X100X0,5	25,00	100,00	0,50	80X160X0,5	80,00	160,00	0,50
26X40X0,5	26,00	40,00	0,50	81X130X0,5	81,00	130,00	0,50
26X55X0,5	26,00	55,00	0,50	85X130X0,5	85,00	130,00	0,50
30X100X0,5	30,00	100,00	0,50	86X150X0,5	86,00	150,00	0,50
31X50X0,5	31,00	50,00	0,50	90X120X0,5	90,00	120,00	0,50
31X60X0,5	31,00	60,00	0,50	91X150X0,5	91,00	150,00	0,50
31X70X0,5	31,00	70,00	0,50	91X160X0,5	91,00	160,00	0,50
32X45X0,5	32,00	45,00	0,50	96X150X0,5	96,00	150,00	0,50
33X55X0,5	33,00	55,00	0,50	101X173X0,5	101,00	173,00	0,50
35X50X0,5	35,00	50,00	0,50	101X190X0,5	101,00	190,00	0,50
36X60X0,5	36,00	60,00	0,50	102X160X0,5	102,00	160,00	0,50
36X65X0,5	36,00	65,00	0,50	111X190X0,5	111,00	190,00	0,50
36X70X0,5	36,00	70,00	0,50	111X220X0,5	111,00	220,00	0,50
38X70X0,5	38,00	70,00	0,50	112X230X0,5	112,00	230,00	0,50
39X57X0,5	39,00	57,00	0,50	116X190X0,5	116,00	190,00	0,50
40X50X0,5	40,00	50,00	0,50	120X190X0,5	120,00	190,00	0,50
40X75X0,5	40,00	75,00	0,50	121X185X0,5	121,00	185,00	0,50
41X65X0,5	41,00	65,00	0,50	126X190X0,5	126,00	190,00	0,50
41X90X0,5	41,00	90,00	0,50	130X180X0,5	130,00	180,00	0,50
45X52X0,5	45,00	52,00	0,50	131X290X0,5	131,00	290,00	0,50
45X75X0,5	45,00	75,00	0,50	36X65X1	36,00	65,00	1,00
46X96X0,5	46,00	96,00	0,50	36X70X1	36,00	70,00	1,00
51X90X0,5	51,00	90,00	0,50	36X85X1	36,00	85,00	1,00
51,6X76X0,5	51,60	76,00	0,50	38X70X1	38,00	70,00	1,00
55X61X0,5	55,00	61,00	0,50	39X57X1	39,00	57,00	1,00
56X90X0,5	56,00	90,00	0,50	40X50X1	40,00	50,00	1,00
56X112X0,5	56,00	112,00	0,50	40X75X1	40,00	75,00	1,00
61X90X0,5	61,00	90,00	0,50	41X65X1	41,00	65,00	1,00
61X112X0,5	61,00	112,00	0,50	41X82X1	41,00	82,00	1,00
65X90X0,5	65,00	90,00	0,50	41X90X1	41,00	90,00	1,00
65X118X0,5	65,00	118,00	0,50	45X52X1	45,00	52,00	1,00
66X112X0,5	66,00	112,00	0,50	45X60X1	45,00	60,00	1,00
68X112X0,5	68,00	112,00	0,50	45X70X1	45,00	70,00	1,00
71X110X0,5	71,00	110,00	0,50	45X75X1	45,00	75,00	1,00
71X120X0,5	71,00	120,00	0,50	46X96X1	46,00	96,00	1,00
71X130X0,5	71,00	130,00	0,50	47X80X1	47,00	80,00	1,00
71X160X0,5	71,00	160,00	0,50	64,3X140X1	64,30	140,00	1,00
76X130X0,5	76,00	130,00	0,50	65X75X1	65,00	75,00	1,00

STANDARD Hardened Steel Shims/Spacers



OFM CODE Number	1 Inside diameter	2 Outside diameter	3 Length -	OFM CODE Number	1 Inside diameter	2 Outside diameter	3 Length -
21X60X1	21,00	60,00	1,00	65X90X1	65,00	90,00	1,00
22X30X1	22,00	30,00	1,00	65X118X1	65,00	118,00	1,00
22,5X42X1	22,50	42,00	1,00	66X112X1	66,00	112,00	1,00
25X35X1	25,00	35,00	1,00	66X125X1	66,00	125,00	1,00
25X62X1	25,00	62,00	1,00	66X140X1	66,00	140,00	1,00
25X100X1	25,00	100,00	1,00	66X160X1	66,00	160,00	1,00
26X40X1	26,00	40,00	1,00	71X120X1	71,00	120,00	1,00
26X55X1	26,00	55,00	1,00	71X130X1	71,00	130,00	1,00
30X42X1	30,00	42,00	1,00	71X160X1	71,00	160,00	1,00
30X100X1	30,00	100,00	1,00	71X170X1	71,00	170,00	1,00
31X50X1	31,00	50,00	1,00	75X120X1	75,00	120,00	1,00
31X60X1	31,00	60,00	1,00	76X130X1	76,00	130,00	1,00
31X70X1	31,00	70,00	1,00	76X185X1	76,00	185,00	1,00
33X55X1	33,00	55,00	1,00	77X120X1	77,00	120,00	1,00
33X65X1	33,00	65,00	1,00	77X140X1	77,00	140,00	1,00
35X50X1	35,00	50,00	1,00	80X140X1	80,00	140,00	1,00
36X60X1	36,00	60,00	1,00	80X160X1	80,00	160,00	1,00
50X95X1	50,00	95,00	1,00	81X126X1	81,00	126,00	1,00
51X83X1	51,00	83,00	1,00	81X130X1	81,00	130,00	1,00
51X90X1	51,00	90,00	1,00	81X180X1	81,00	180,00	1,00
51X108X1	51,00	108,00	1,00	81X200X1	81,00	200,00	1,00
51,6X76X1	51,60	76,00	1,00	82X149X1	82,00	149,00	1,00
52X90X1	52,00	90,00	1,00	85X105X1	85,00	105,00	1,00
55X61X1	55,00	61,00	1,00	85X130X1	85,00	130,00	1,00
56X70X1	56,00	70,00	1,00	86X150X1	86,00	150,00	1,00
56X90X1	56,00	90,00	1,00	90X120X1	90,00	120,00	1,00
56X112X1	56,00	112,00	1,00	90X130X1	90,00	130,00	1,00
58X120X1	58,00	120,00	1,00	90,3X107X1	90,30	107,00	1,00
59X96X1	59,00	96,00	1,00	91X150X1	91,00	150,00	1,00
61X75X1	61,00	75,00	1,00	91X160X1	91,00	160,00	1,00
61X90X1	61,00	90,00	1,00	91X170X1	91,00	170,00	1,00
61X95X1	61,00	95,00	1,00	91X183X1	91,00	183,00	1,00
61X112X1	61,00	112,00	1,00	96X150X1	96,00	150,00	1,00
61X160X1	61,00	160,00	1,00	96X190X1	96,00	190,00	1,00
106X160X1	106,00	160,00	1,00	96X200X1	96,00	200,00	1,00
110X160X1	110,00	160,00	1,00	100X120X1	100,00	120,00	1,00
111X170X1	111,00	170,00	1,00	101X140X1	101,00	140,00	1,00
111X190X1	111,00	190,00	1,00	101X173X1	101,00	173,00	1,00
111X210X1	111,00	210,00	1,00	101X190X1	101,00	190,00	1,00
111X220X1	111,00	220,00	1,00	102X160X1	102,00	160,00	1,00
111X250X1	111,00	250,00	1,00	102X200X1	102,00	200,00	1,00
112X230X1	112,00	230,00	1,00	121X320X1	121,00	320,00	1,00
116X190X1	116,00	190,00	1,00	126X190X1	126,00	190,00	1,00
116X260X1	116,00	260,00	1,00	126X250X1	126,00	250,00	1,00
120X190X1	120,00	190,00	1,00	130X180X1	130,00	180,00	1,00
121X161,2X1	121,00	161,20	1,00	130X220X1	130,00	220,00	1,00
121X170X1	121,00	170,00	1,00	131X240X1	131,00	240,00	1,00
121X185X1	121,00	185,00	1,00	131X290X1	131,00	290,00	1,00
121X200X1	121,00	200,00	1,00	140X160X1	140,00	160,00	1,00
121X220X1	121,00	220,00	1,00	140X195X1	140,00	195,00	1,00
121X240X1	121,00	240,00	1,00	140X230X1	140,00	230,00	1,00
121X250X1	121,00	250,00	1,00	141X270X1	141,00	270,00	1,00
68X112X1	68,00	112,00	1,00	141X320X1	141,00	320,00	1,00
70X140X1	70,00	140,00	1,00	146X270X1	146,00	270,00	1,00
71X100X1	71,00	100,00	1,00	151X230X1	151,00	230,00	1,00
71X107X1	71,00	107,00	1,00	157X250X1	157,00	250,00	1,00
71X110X1	71,00	110,00	1,00	161X195X1	161,00	195,00	1,00
71X117X1	71,00	117,00	1,00	166X255X1	166,00	255,00	1,00

STANDARD Hardened Steel Shims/Spacers



OFM CODE Number	1 Inside diameter	2 Outside diameter	3 Length -	OFM CODE Number	1 Inside diameter	2 Outside diameter	3 Length -
171X275X1	171,00	275,00	1,00	25X62X2	25,00	62,00	2,00
171X300X1	171,00	300,00	1,00	26X40X2	26,00	40,00	2,00
180X200X1	180,00	200,00	1,00	26X55X2	26,00	55,00	2,00
181X350X1	181,00	350,00	1,00	28,5X50X2	28,50	50,00	2,00
201X350X1	201,00	350,00	1,00	30X42X2	30,00	42,00	2,00
61X90X1,5	61,00	90,00	1,50	30,5X95X2	30,50	95,00	2,00
77X100X1,5	77,00	100,00	1,50	31X50X2	31,00	50,00	2,00
80X140X1,5	80,00	140,00	1,50	31X60X2	31,00	60,00	2,00
82X130X1,5	82,00	130,00	1,50	31X70X2	31,00	70,00	2,00
82X140X1,5	82,00	140,00	1,50	33X55X2	33,00	55,00	2,00
82X149X1,5	82,00	149,00	1,50	33X65X2	33,00	65,00	2,00
82X175X1,5	82,00	175,00	1,50	35X50X2	35,00	50,00	2,00
85X105X1,5	85,00	105,00	1,50	36X60X2	36,00	60,00	2,00
87,2X125X1,5	87,20	125,00	1,50	36X65X2	36,00	65,00	2,00
90X130X1,5	90,00	130,00	1,50	36X70X2	36,00	70,00	2,00
91X160X1,5	91,00	160,00	1,50	101X140X2	101,00	140,00	2,00
111X190X1,5	111,00	190,00	1,50	101X173X2	101,00	173,00	2,00
21X37X1,5	21,00	37,00	1,50	101X190X2	101,00	190,00	2,00
21X60X1,5	21,00	60,00	1,50	102X160X2	102,00	160,00	2,00
25X100X1,5	25,00	100,00	1,50	102X200X2	102,00	200,00	2,00
30X100X1,5	30,00	100,00	1,50	106X160X2	106,00	160,00	2,00
31X60X1,5	31,00	60,00	1,50	110X160X2	110,00	160,00	2,00
36X65X1,5	36,00	65,00	1,50	111X190X2	111,00	190,00	2,00
43X70X1,5	43,00	70,00	1,50	111X210X2	111,00	210,00	2,00
51X90X1,5	51,00	90,00	1,50	111X220X2	111,00	220,00	2,00
36X85X2	36,00	85,00	2,00	111X250X2	111,00	250,00	2,00
38X70X2	38,00	70,00	2,00	116X190X2	116,00	190,00	2,00
39,5X60X2	39,50	60,00	2,00	76X140X2	76,00	140,00	2,00
40X50X2	40,00	50,00	2,00	76X185X2	76,00	185,00	2,00
40X72X2	40,00	72,00	2,00	77X120X2	77,00	120,00	2,00
71X100X2	71,00	100,00	2,00	77X140X2	77,00	140,00	2,00
71X110X2	71,00	110,00	2,00	80X95X2	80,00	95,00	2,00
71X120X2	71,00	120,00	2,00	80X140X2	80,00	140,00	2,00
71X130X2	71,00	130,00	2,00	80X160X2	80,00	160,00	2,00
71X160X2	71,00	160,00	2,00	81X126X2	81,00	126,00	2,00
75X120X2	75,00	120,00	2,00	81X130X2	81,00	130,00	2,00
76X130X2	76,00	130,00	2,00	81X180X2	81,00	180,00	2,00
40X75X2	40,00	75,00	2,00	81X200X2	81,00	200,00	2,00
41X65X2	41,00	65,00	2,00	82X149X2	82,00	149,00	2,00
41X90X2	41,00	90,00	2,00	83X149X2	83,00	149,00	2,00
42X55X2	42,00	55,00	2,00	85X105X2	85,00	105,00	2,00
45X52X2	45,00	52,00	2,00	85X110X2	85,00	110,00	2,00
45X60X2	45,00	60,00	2,00	85X130X2	85,00	130,00	2,00
45X75X2	45,00	75,00	2,00	86X150X2	86,00	150,00	2,00
46X96X2	46,00	96,00	2,00	86X190X2	86,00	190,00	2,00
50X95X2	50,00	95,00	2,00	90X120X2	90,00	120,00	2,00
51X83X2	51,00	83,00	2,00	90X130X2	90,00	130,00	2,00
51X90X2	51,00	90,00	2,00	91X150X2	91,00	150,00	2,00
51X108X2	51,00	108,00	2,00	91X160X2	91,00	160,00	2,00
52X70X2	52,00	70,00	2,00	91X170X2	91,00	170,00	2,00
52X90X2	52,00	90,00	2,00	91X183X2	91,00	183,00	2,00
53X90X2	53,00	90,00	2,00	96X150X2	96,00	150,00	2,00
55X95X2	55,00	95,00	2,00	96X190X2	96,00	190,00	2,00
56X70X2	56,00	70,00	2,00	59X96X2	59,00	96,00	2,00
56X90X2	56,00	90,00	2,00	60X120X2	60,00	120,00	2,00
56X112X2	56,00	112,00	2,00	61X75X2	61,00	75,00	2,00
58X120X2	58,00	120,00	2,00	61X90X2	61,00	90,00	2,00
22X30X2	22,00	30,00	2,00	61X95X2	61,00	95,00	2,00

STANDARD Hardened Steel Shims/Spacers



OFM CODE Number	1 Inside diameter	2 Outside diameter	3 Length -	OFM CODE Number	1 Inside diameter	2 Outside diameter	3 Length -
61X112X2	61,00	112,00	2,00	26X40X3	26,00	40,00	3,00
61X160X2	61,00	160,00	2,00	26X55X3	26,00	55,00	3,00
64,3X140X2	64,30	140,00	2,00	28,5X50X3	28,50	50,00	3,00
65X75X2	65,00	75,00	2,00	31X50X3	31,00	50,00	3,00
65X110X2	65,00	110,00	2,00	31X60X3	31,00	60,00	3,00
65X118X2	65,00	118,00	2,00	31X70X3	31,00	70,00	3,00
66X112X2	66,00	112,00	2,00	33,5X80X3	33,50	80,00	3,00
66X125X2	66,00	125,00	2,00	36X70X3	36,00	70,00	3,00
66X160X2	66,00	160,00	2,00	36X85X3	36,00	85,00	3,00
68X90X2	68,00	90,00	2,00	38X70X3	38,00	70,00	3,00
68X112X2	68,00	112,00	2,00	40X75X3	40,00	75,00	3,00
70X140X2	70,00	140,00	2,00	41X65X3	41,00	65,00	3,00
96X200X2	96,00	200,00	2,00	41X90X3	41,00	90,00	3,00
100X120X2	100,00	120,00	2,00	91X160X3	91,00	160,00	3,00
116X260X2	116,00	260,00	2,00	91X170X3	91,00	170,00	3,00
120X190X2	120,00	190,00	2,00	91X183X3	91,00	183,00	3,00
121X170X2	121,00	170,00	2,00	96X150X3	96,00	150,00	3,00
121X185X2	121,00	185,00	2,00	100X120X3	100,00	120,00	3,00
121X200X2	121,00	200,00	2,00	100X150X3	100,00	150,00	3,00
121X220X2	121,00	220,00	2,00	101X190X3	101,00	190,00	3,00
121X240X2	121,00	240,00	2,00	102X160X3	102,00	160,00	3,00
121X250X2	121,00	250,00	2,00	106X160X3	106,00	160,00	3,00
121X320X2	121,00	320,00	2,00	111X160X3	111,00	160,00	3,00
126X190X2	126,00	190,00	2,00	111X190X3	111,00	190,00	3,00
126X250X2	126,00	250,00	2,00	111X210X3	111,00	210,00	3,00
130X180X2	130,00	180,00	2,00	116X190X3	116,00	190,00	3,00
130X220X2	130,00	220,00	2,00	45X60X3	45,00	60,00	3,00
131X240X2	131,00	240,00	2,00	45X75X3	45,00	75,00	3,00
136X230X2	136,00	230,00	2,00	46X96X3	46,00	96,00	3,00
140X160X2	140,00	160,00	2,00	47X75X3	47,00	75,00	3,00
140X195X2	140,00	195,00	2,00	50X95X3	50,00	95,00	3,00
140X230X2	140,00	230,00	2,00	51X83X3	51,00	83,00	3,00
141X270X2	141,00	270,00	2,00	51X90X3	51,00	90,00	3,00
146X270X2	146,00	270,00	2,00	51X108X3	51,00	108,00	3,00
151X230X2	151,00	230,00	2,00	52X70X3	52,00	70,00	3,00
157X250X2	157,00	250,00	2,00	52X90X3	52,00	90,00	3,00
161X195X2	161,00	195,00	2,00	53X90X3	53,00	90,00	3,00
166X255X2	166,00	255,00	2,00	55X70X3	55,00	70,00	3,00
171X300X2	171,00	300,00	2,00	56X70X3	56,00	70,00	3,00
180X200X2	180,00	200,00	2,00	56X90X3	56,00	90,00	3,00
201X350X2	201,00	350,00	2,00	56X112X3	56,00	112,00	3,00
25X35X2,5	25,00	35,00	2,50	58X120X3	58,00	120,00	3,00
31X70X2,5	31,00	70,00	2,50	60X120X3	60,00	120,00	3,00
38,5X65X2,5	38,50	65,00	2,50	61X75X3	61,00	75,00	3,00
51X100X2,5	51,00	100,00	2,50	61X90X3	61,00	90,00	3,00
68X90X2,5	68,00	90,00	2,50	61X112X3	61,00	112,00	3,00
75X120X2,5	75,00	120,00	2,50	64,3X140X3	64,30	140,00	3,00
78X152X2,5	78,00	152,00	2,50	66X112X3	66,00	112,00	3,00
86X150X2,5	86,00	150,00	2,50	68X90X3	68,00	90,00	3,00
86X190X2,5	86,00	190,00	2,50	70X140X3	70,00	140,00	3,00
91X150X2,5	91,00	150,00	2,50	71X100X3	71,00	100,00	3,00
102X160X2,5	102,00	160,00	2,50	71X110X3	71,00	110,00	3,00
111X220X2,5	111,00	220,00	2,50	71X120X3	71,00	120,00	3,00
157X250X2,5	157,00	250,00	2,50	71X130X3	71,00	130,00	3,00
				75X120X3	75,00	120,00	3,00
				76X130X3	76,00	130,00	3,00
				77X100X3	77,00	100,00	3,00
				77X120X3	77,00	120,00	3,00

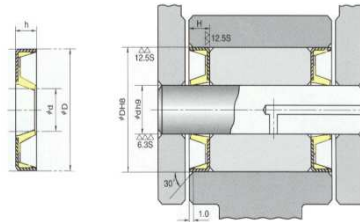
STANDARD Hardened Steel Shims/Spacers



OFM CODE Number	1 Inside diameter	2 Outside diameter	3 Length -	OFM CODE Number	1 Inside diameter	2 Outside diameter	3 Length -
77X140X3	77,00	140,00	3,00	41X90X5	41,00	90,00	5,00
80X140X3	80,00	140,00	3,00	46X96X5	46,00	96,00	5,00
80X160X3	80,00	160,00	3,00	51X90X5	51,00	90,00	5,00
81X130X3	81,00	130,00	3,00	61X112X5	61,00	112,00	5,00
82X149X3	82,00	149,00	3,00	66X112X5	66,00	112,00	5,00
84X105X3	84,00	105,00	3,00	70X140X5	70,00	140,00	5,00
85X130X3	85,00	130,00	3,00	71X120X5	71,00	120,00	5,00
86X150X3	86,00	150,00	3,00	71X130X5	71,00	130,00	5,00
87,2X125X3	87,20	125,00	3,00	77X140X5	77,00	140,00	5,00
90X120X3	90,00	120,00	3,00	80X140X5	80,00	140,00	5,00
90X130X3	90,00	130,00	3,00	81X130X5	81,00	130,00	5,00
91X150X3	91,00	150,00	3,00	86X150X5	86,00	150,00	5,00
120X190X3	120,00	190,00	3,00	91X150X5	91,00	150,00	5,00
121X170X3	121,00	170,00	3,00	96X150X5	96,00	150,00	5,00
121X220X3	121,00	220,00	3,00	102X160X5	102,00	160,00	5,00
126X190X3	126,00	190,00	3,00	106X160X5	106,00	160,00	5,00
130X180X3	130,00	180,00	3,00	111X160X5	111,00	160,00	5,00
136X260X3	136,00	260,00	3,00	111X190X5	111,00	190,00	5,00
140X230X3	140,00	230,00	3,00	120X190X5	120,00	190,00	5,00
157X250X3	157,00	250,00	3,00	130X180X5	130,00	180,00	5,00
78X152X3,5	78,00	152,00	3,50	136X260X5	136,00	260,00	5,00
31X50X4	31,00	50,00	4,00	30X50X6	30,00	50,00	6,00
40X75X4	40,00	75,00	4,00	35X50X6	35,00	50,00	6,00
41X90X4	41,00	90,00	4,00	38X70X6	38,00	70,00	6,00
42X55X4	42,00	55,00	4,00	102X160X6	102,00	160,00	6,00
45X85X4	45,00	85,00	4,00	130X180X6	130,00	180,00	6,00
50X85X4	50,00	85,00	4,00	120X190X7	120,00	190,00	7,00
71X120X4	71,00	120,00	4,00				
71X130X4	71,00	130,00	4,00				
80X140X4	80,00	140,00	4,00				
81X130X4	81,00	130,00	4,00				
82X149X4	82,00	149,00	4,00				
86X150X4	86,00	150,00	4,00				
91X150X4	91,00	150,00	4,00				
91X183X4	91,00	183,00	4,00				
96X150X4	96,00	150,00	4,00				
102X160X4	102,00	160,00	4,00				
102X200X4	102,00	200,00	4,00				
106X160X4	106,00	160,00	4,00				
111X160X4	111,00	160,00	4,00				
111X190X4	111,00	190,00	4,00				
120X190X4	120,00	190,00	4,00				
130X180X4	130,00	180,00	4,00				

STANDARD Dust Wiper Seals **KPU**

DUST WIPER SEAL



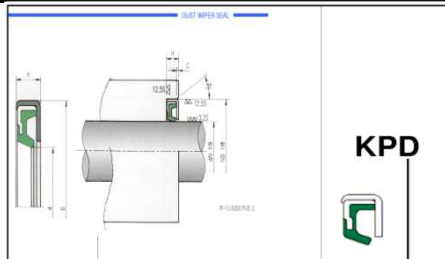
KPU



OFM CODE Number	GENERAL SIZE	A Inside diameter	B Outside diameter	C Lenght
MK070328	40*50*5	40	50	5
MK150192	55*68*6	55	68	6
MK150191	60*75*8	60	75	8
MK070087	65*80*8	65	80	8
MK474232	70*85*8	70	85	8
MK151162	70*85*8	70	85	8
MK29668	75*90*8	75	90	8
MK062503	85*110*13	85	110	13
MK473648	90*105*8	90	105	8
MK29828	90*105*8	90	105	8
MK070655	95*110*8	95	110	8
MK070765	95*110*8	95	110	8
MK068116	100*115*8	100	115	8
MK154766	100*115*8	100	115	8
MK056089	110*125*8	110	125	8
MK056090	120*135*8	120	135	8
MK070656	125*140*80	125	140	8
MK071147	140*155*8	140	155	8
MK071148	145*160*8	145	160	8
MK155168	160*180*8	160	180	8

STANDARD Dust Wiper Seals **KPD**

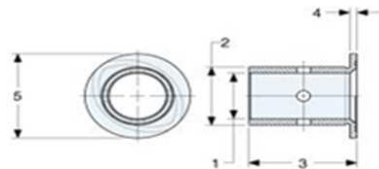
DUST WIPER SEAL



KPD



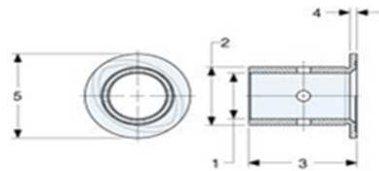
OFM CODE Number	GENERAL SIZE	A Inside diameter	B Outside diameter	C Lenght
MK3819	25*35*4	25	35	4
MK3820	30*40*4	30	40	4
MK3821	35*45*4	35	45	4
MK3822	40*50*4	40	50	4
MK3823	45*55*4	45	55	4
MK3824	50*60*4	50	60	4
MK6430	50*65*6	50	65	6
MK3825	55*68*4	55	68	4
MK3826	60*75*4	60	75	4
MK3827	65*80*4	65	80	4
MK3828	70*85*4	70	85	4
MK3829	75*90*4	75	90	4
MK3830	80*95*4	80	95	4
MK16146	80*95*8	80	95	8
MK16147	80*95*11	80	95	11
MK3831	85*100*4	85	100	4
MK3832	90*105*4	90	105	4
MK16986	90*105*11	90	105	11
MK3833	95*110*4	95	110	4
MK3834	100*115*4	100	115	4
MK3835	110*125*4	110	125	4
MK068199	115*135*8	115	135	8
MK3836	120*135*4	120	135	4
MK3837	125*140*4	125	140	4
MK3838	140*155*4	140	155	4
MK068191	140*160*7.5	140	160	7.5



CONTACT DESIGN CONTROL FOR NEW RELEASE

Standard Steel Hardened Bushing Flanged

	1	2	3	4	5
Drawing code	Inside diameter	Outside diameter	Total height	Flange thickness	Flange diameter
M032259	40,20	53,55	39,20	5,00	70,00
M0513692	44,55	63,50	44,60	15,65	80,00
M0683547	45,00	54,95	40,00	5,00	70,00
MK647565	50,00	59,90	41,10	6,10	75,00
MK128153	50,00	65,05	73,00	6,00	86,00
MK197539	50,05	64,00	66,00	17,50	82,50
M0501658	50,90	60,40	53,50	6,00	98,00
M0683548	55,00	65,00	35,00	5,00	70,00
MK197537	60,05	75,00	63,00	7,00	86,00
MK627435	60,10	75,00	35,00	7,50	85,00
MK156966	60,15	75,05	65,00	7,50	150,00
MK15650	60,20	75,10	87,00	7,00	110,00
MK15673	60,20	75,10	77,00	7,00	110,00
MK15674	60,20	75,15	87,60	16,50	130,00
MK162945	70,00	110,00	58,00	42,00	100,00
MK066835	70,30	80,00	60,00	5,00	90,00
M02300810	70,35	100,10	97,00	17,00	139,50
MK51001	70,40	85,15	97,00	17,20	139,50
MK 51066	70,40	85,15	96,70	17,10	130,00
M0501657	76,35	95,30	79,00	6,00	129,20
MK16193	80,00	110,00	79,50	21,00	150,00
MK511231	80,00	110,00	79,50	21,00	150,00
M026065	80,05	123,83	91,30	17,86	159,15
MK30553	80,10	95,05	31,50	3,00	100,00
MK511232	80,20	95,15	55,00	10,00	150,00
MK511221	80,25	95,15	55,00	10,00	150,00
MK511220	80,35	110,10	95,00	7,00	130,00
MK50996	80,40	95,15	95,00	7,00	130,00
MK512356	85,00	100,05	96,00	17,00	140,00
MK94083	85,25	105,15	80,15	7,00	140,00
MK503654	90,00	124,90	103,00	20,90	170,20
MK131870	90,00	124,90	103,00	20,90	170,20
MK503653	90,15	120,20	67,00	12,05	170,15
MK503593	90,15	120,20	67,00	12,00	170,15
MK195675	90,25	105,10	43,00	7,25	180,00
MK12536	90,25	110,10	87,00	7,00	150,00
MK11939	90,27	105,13	76,85	7,00	150,00
MK503592	90,30	120,10	106,00	7,70	150,00
MK067919	90,35	110,10	102,00	8,00	159,00
MK51319	90,40	110,15	102,00	29,00	150,00
MK511210	95,00	110,00	90,00	7,20	130,00
MK55	100,00	120,15	112,00	7,10	160,00
MK132277	100,10	140,00	110,00	22,95	190,00
M01004901	100,20	120,20	85,00	4,00	123,50
MK790909	100,20	130,15	69,00	14,00	190,00
MK57	100,25	12,15	90,00	7,10	160,00
MK611757	100,35	130,15	105,80	7,50	166,00
MK54431	100,40	120,10	125,00	7,50	165,50
MK54431	100,40	120,10	125,00	7,50	165,50
MK503583	105,00	120,00	106,00	7,70	150,00
MK12882	105,25	125,10	88,90	7,00	160,05



CONTACT DESIGN CONTROL FOR NEW RELEASE

Standard Steel Hardened Bushing Flanged

	1	2	3	4	5
Drawing code	Inside diameter	Outside diameter	Total height	Flange thickness	Flange diameter
M0395048	108,25	127,50	76,00	6,00	148,00
MK071213	110,40	130,20	72,00	24,00	145,00
MK196249	115,40	135,25	150,00	30,00	188,00
MK498023	120,25	140,13	120,00	7,00	175,00
MK678507	120,30	135,30	920,00	3,00	138,40
M01004891	125,25	145,20	110,00	10,00	260,00
MK208910	125,50	145,15	92,50	35,00	159,95
MK23012	140,00	175,20	130,00	8,00	230,00
MK133682	140,05	18,00	131,50	23,00	247,00
MK678488	140,30	160,25	126,00	3,00	163,30
MK678506	140,30	160,30	94,00	3,00	163,30
MK134058	140,30	175,00	113,50	12,00	266,00
M02301489	140,40	185,20	104,00	8,00	230,00
MK208911	140,50	160,20	92,50	35,00	174,95
MK355121	140,50	160,30	190,00	8,00	230,00
MK134010	140,50	175,00	147,50	12,00	266,00
MK355122	140,50	175,20	193,00	8,00	230,00
MK513479	160,40	180,35	96,00	3,00	183,30
MK357269	160,40	180,35	110,00	3,00	183,30
MK678486	180,20	235,25	121,00	3,00	238,30
MK660930	180,30	210,30	118,00	3,00	213,20
MK660931	180,30	210,30	126,00	3,00	213,30
MK224388	200,80	260,00	237,50	23,50	366,00
MK773339	201,00	235,25	189,00	3,00	238,50
M01736511	220,40	270,40	60,00	9,50	315,00







Via Canaletta, 3/A - 40053 Valsamoggia loc. Bazzano (Bo) Italy
Tel. +39 051.835911 - www.ofmtopline.com

vendite@ofm.it - Fax +39 051.833040
sales@ofm.it - Fax +39 051.830960

All mentioned names and numbers are for reference purpose only