

DH-DSM-C01

DSM Camera



- CMOS sensor; imaging of high quality.
- Eyes can be recognized when it's under totally dark condition or humans wear sunglasses (not block IR light) with IR fill light.
- Special IR auxiliary illumination design to protect eyes.

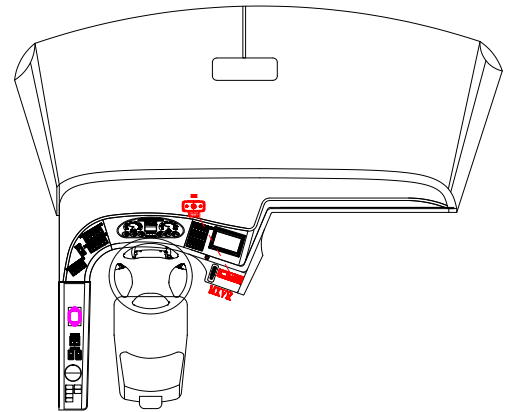
System Overview

DSM camera is used for monitoring the driver's face, with the help of it, intelligent MVR can detect fatigue driving, mind wondering driving, smoking, calling, camera shielding and other illegal behaviors.

Technical Specification

Sensor	1/3 inch CMOS
Effective Pixels	1280 (H) × 720 (V)
Electronic Shutter Speed	PAL: 1/25s–1/100000s NTSC: 1/30s–1/100000s
Frame Rate	50Hz: 1280 × 720@25fps, 1280 × 720@50fps 60Hz: 1280 × 720@30fps, 1280 × 720@60fps
Focal Length	6 mm
Gain Control	Auto
White Balance	Auto
HLC	Yes
Digital WDR	Yes
2D NR	Yes
3D NR	Yes
Field of View	Horizontal: 82°; vertical: 46°
Iris	Fixed
Image Mirror	Yes
Anti-flicking	Yes
Fill Light	940 nm IR auxiliary illumination
Video Output Standard	HDCVI
Power Supply	9V–16V DC
Power Consumption	4.2W
Operating Temperature	-30°C to +70°C (-22°F to +158°F)
Operating Humidity	<95% (non-condensation)
Camera Dimensions (L × W × H)	82 mm × 45 mm × 5mm (3.23" × 1.77" × 0.20")
Net Weight	221 g (0.49 lb)

Installation



Dimensions (mm[inch])

