

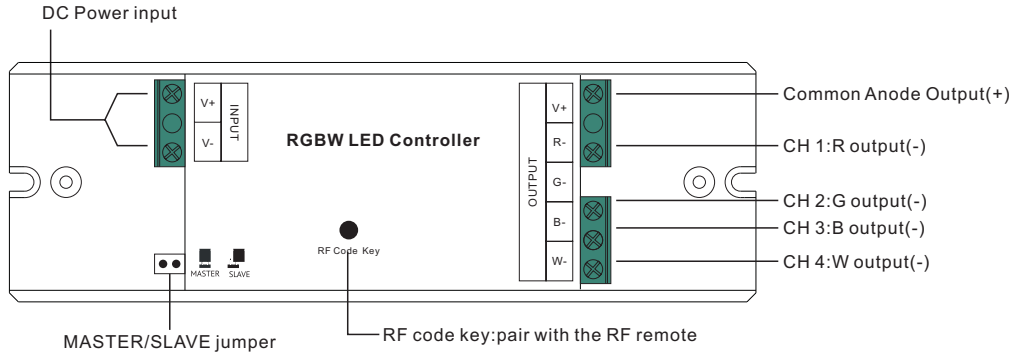
RF RGBW Receiver

09.1029W.04299



Important: Read All Instructions Prior to Installation

Function introduction



Product Data

| Input Voltage | Output Current | Output Power | Remarks | Size(LxWxH) |
|---------------|----------------|--------------|------------------|---------------|
| 12-24VDC | 4x5A | 4x(60-120)W | Constant voltage | 145x46.5x16mm |

- Radio Frequency : 868/915/434mhz
- Waterproof grade: IP20

Safety & Warnings

- DO NOT install with power applied to device.
- DO NOT expose the device to moisture.

Pair/delete the pairing with RF remote

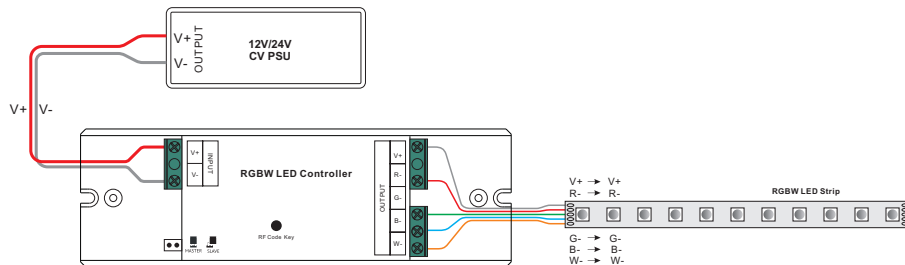
1. Do wiring according to connection diagram.
2. Pair RF Receiver with RF remote: please refer to the instruction of the remote that you would like to pair with.
3. Delete the pairing:
 - (1) Wire up the RF receiver correctly, power on.
 - (2) Press and hold down the " **RF Code Key**" button on receiver for over 3 seconds until the connected light flashes, which means well deleted.

MASTER/SLAVE jumper:

In a group of multiple receivers, in order to get a good sync of RGB running effect, please set only 1 receiver as MASTER, the other receivers as SLAVE.

After setting the Master, the Master receiver need to power off and on once to make the Master function take effect.

Wiring Diagram



Product Dimension

