

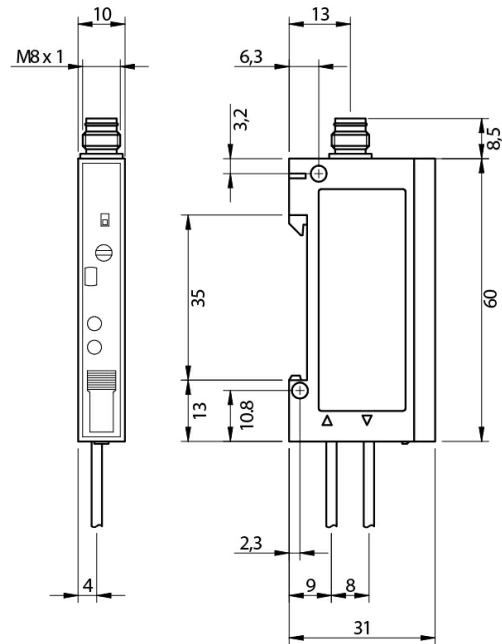
FX3/0P-0F

Amplificatori per Fibre Ottiche



Micro Detectors

Italian Sensors Technology



Detection properties

Nominal sensing distance

Vedi tabella delle fibre ottiche

Operative range

20...200 mm

Thermal drift of Sr

0.2 % / °C

Sensitivity adjustment

Potenziometro

Hysteresis

10%

Outputs

Output type

PNP

Output Function

LO/DO

Switching frequency

≤ 1,500 Hz

Electrical data

Operating Voltage

10...30Vdc

No-Load supply current

≤ 15 mA typ. A / a UB =24 V

Load current

≤ 200 mA

Leakage current

≤ 0.1 mA

Output voltage drop

≤ 20% V a / a 200 mA

Max ripple content

≤ 20% V / al / UB

LED indicators

Giallo (uscita attivata); verde (alimentazione)

| | |
|----------------------------------|--|
| Time delay before availability | 300 ms |
| Short-circuit protection | Si |
| Reverse Polarity Protection | Si |
| Emission | Led Rosso |
| Interference to external light | 5.000lux (lampada ad incandescenza), 10.000lux (luce solare) |
| Impulsive Overvoltage Protection | Si |

Mechanical data

| | |
|-----------------------|----------------------------------|
| Dimensions | 10x31x60 mm |
| Weight | 18 g |
| Housing Material | PBTP |
| Connections | M8 plug 4 pin |
| Operating temperature | - 25°C...+ 55°C (senza condensa) |

Test/Approvals

| | |
|-----------------------|---------------------|
| Approvals | CE |
| EMC compatibility | EN 60947-5-2 |
| Shocks and vibrations | IEC 60947-5-2 / 7.4 |
| Degree of protection | IP64 |

M.D.Micro Detectors S.p.A.

Strada S.Caterina, 235
41122 Modena (MO)
Tel. 059 420411
Fax 059 253973
E-mail info@microdetectors.com

date of printing

01/01/2022 20:10:44