

FC6L/0B-0806-1F

fork sensors

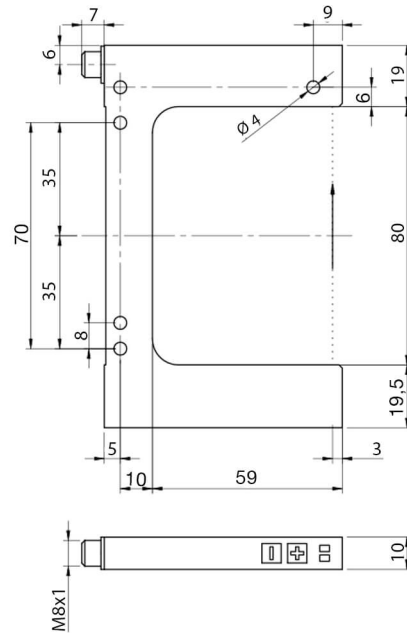


Micro Detectors

Italian Sensors Technology



Indicative image



Detection properties

Nominal sensing distance	80mm
minimum detectable object	0.05mm
Sensitivity adjustment	Yes

Outputs

Output type	NPN + PNP
Output Function	LO/DO
Switching frequency	10kHz

Electrical data

Operating Voltage	12...24Vdc
No-Load supply current	40mA
Load current	100mA
Output voltage drop	≤ 2V @ IL =100 mA
Max ripple content	≤ 10%
Short-circuit protection	Yes
Reverse Polarity Protection	Yes

Emission Red LASER 670 nm, modulated, class 1

Interference to external light 5000lux (incandescent lamp), 10000lux (sunlight)

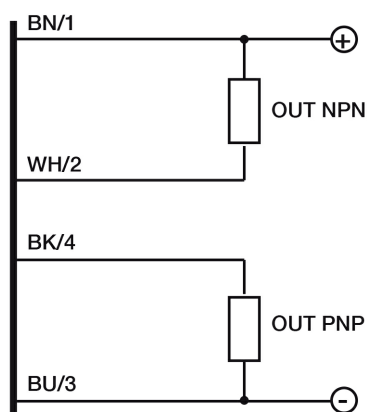
Mechanical data

Dimensions	Width slot detection 80mm - Depth slot detection 59mm
Weight	96g
Housing Material	Painted aluminium
Connections	M8 plug 4 pin
Active Head Material	Polyamide/glass
Operating temperature	- 20°C...+ 50°C
Storage temperature	- 30°C...+ 80°C
Width slot detection	80mm
Depth slot detection	59mm

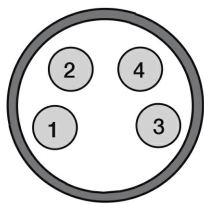
Test/Approvals

Approvals	CE UL
EMC compatibility	EN 60947-5-2
Degree of protection	IP65

ELECTRICAL DIAGRAMS OF THE CONNECTIONS



CONNECTOR



M.D. Micro Detectors S.p.A.

Strada S.Caterina, 235
41122 Modena (MO)
Tel. 059 420411
Fax 059 253973
E-mail info@microdetectors.com

date of printing

27/12/2021 21:28:28