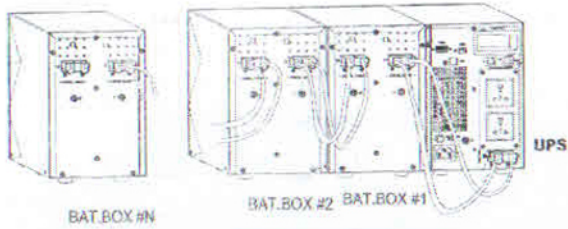
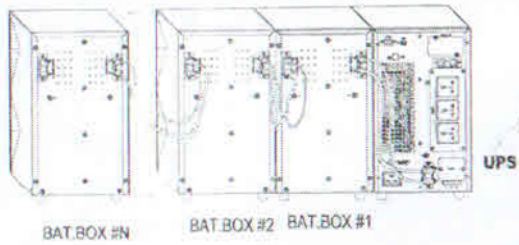


# Tower 1-3K UPS Battery Cabinet

## Installation



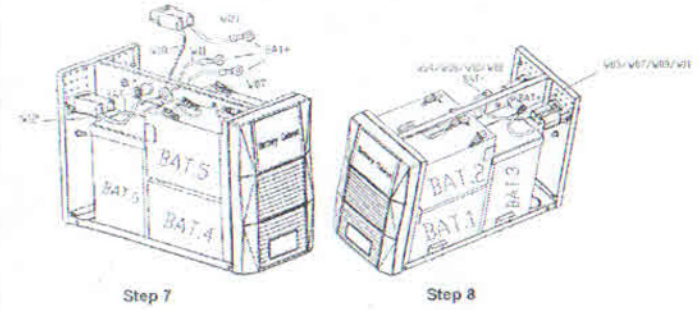
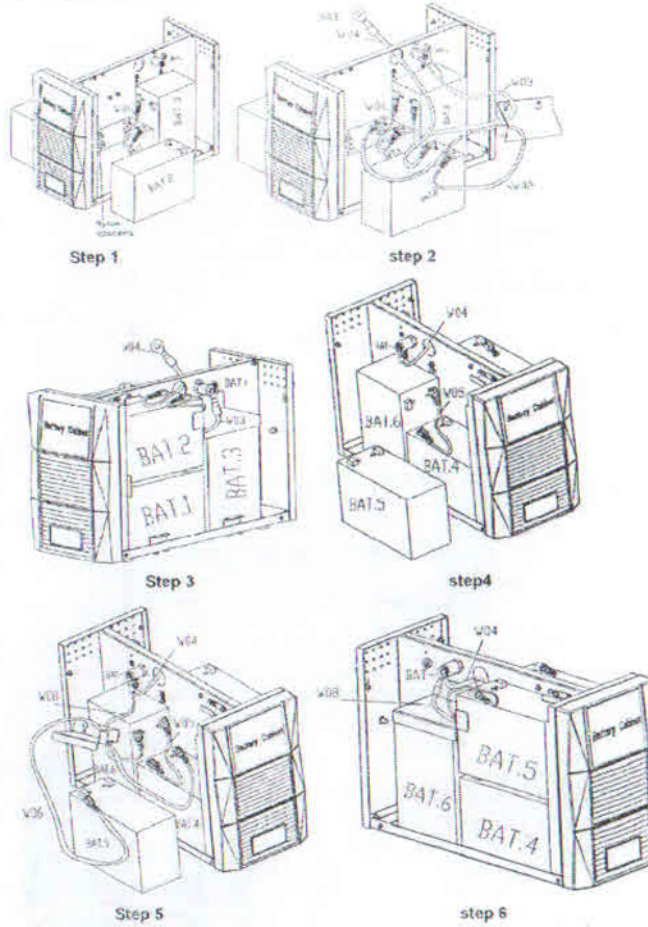
36Vdc battery cabinets Installation



96Vdc battery cabinets Installation

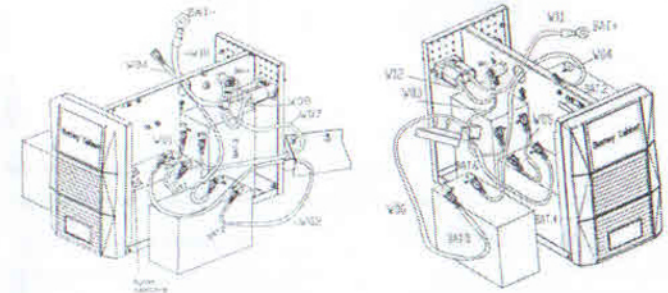
## The battery cabinet wiring and installation

36V battery cabinet wiring: The following steps from step 1 to step 8 show how to wire and installing the batteries.



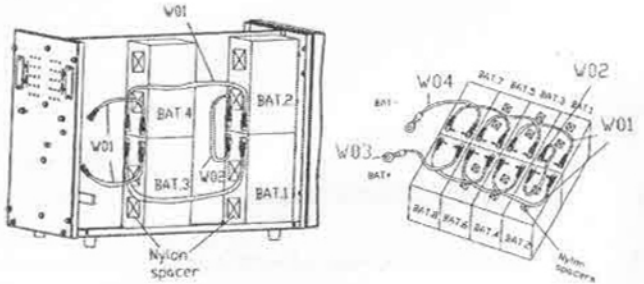
36V wiring diagrams

72V battery cabinet wiring: Compare to the wiring of 36V battery cabinet, there's some difference among the wiring of the batteries.

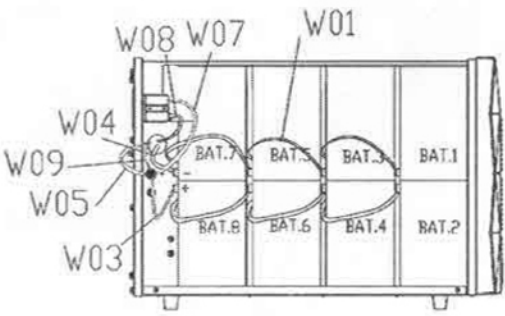
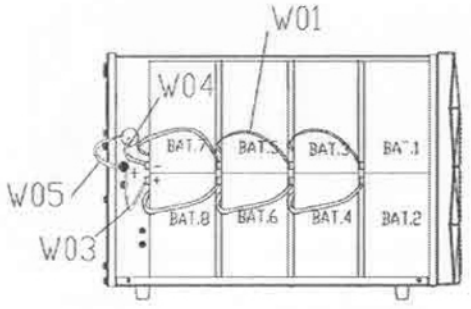


72V wiring diagrams

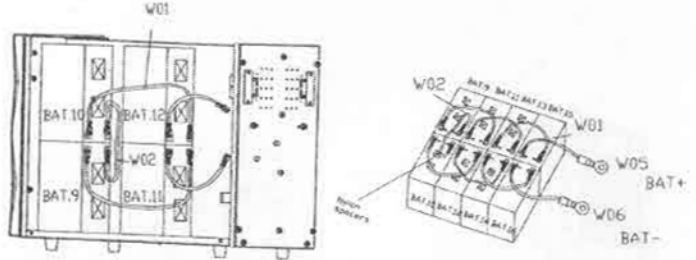
**96V battery cabinet wiring:** The following diagrams show how to wiring the 96V battery cabinet.



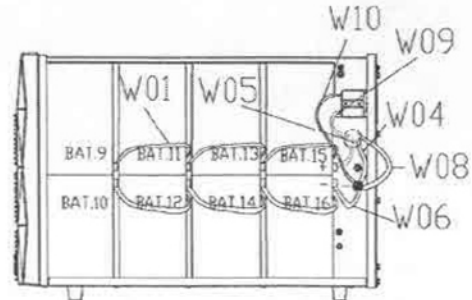
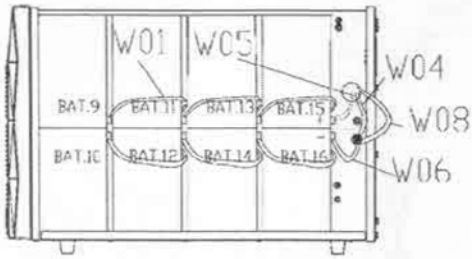
Batteries wiring diagram 1



W05, W03, W07 W09 connect to the BAT+

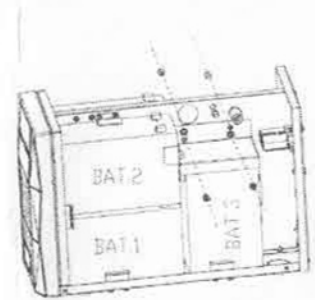


Batteries wiring diagram 2

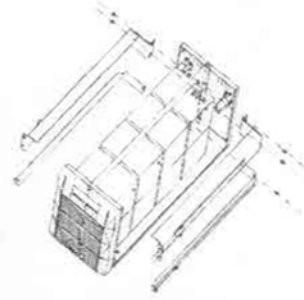


W04, W06, W08, W10 connect to the BAT-

After connecting the cables, Locking layering



36V/72V battery cabinet



96V battery cabinet

**Note:** the battery port don't run into the case, or it will cause the batteries to short circuit

