

CD08/0B-020C5

connectors

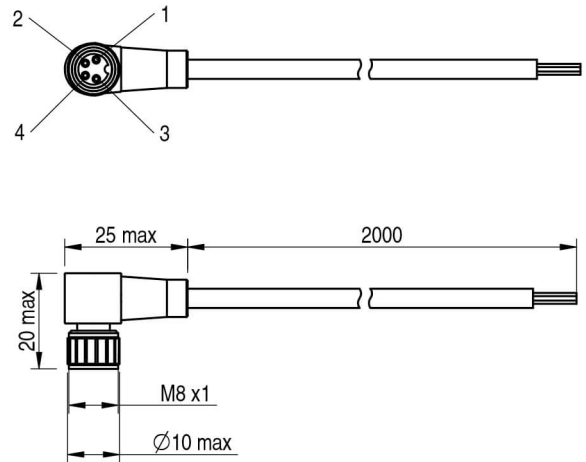


Micro Detectors

Italian Sensors Technology



Indicative image



Electrical data

Nominal current	4 A
Led	no
Wires	4
Rated impulse voltage	1,5 kV
Nominal voltage	Max. 60 V ac/dc

Mechanical data

Tightening torque	0,4 Nm
Operating temperature	-5°C...+80°C (flexible installation) -30°C...+80°C (fixed installation)
1	2
Head type	90°
Plug	M8
Outer diameter	Ø 4,7 mm ± 0,2mm
Jacket material	PUR
Wire isolation	PVC
Conductors section	0,25 mm ² (32 x 0,10 mm ²)
Model	Femmina

Test/Approvals

ELECTRICAL DIAGRAMS OF THE CONNECTIONS

BN/1

WH/2

BU/3

BK/4

M.D.Micro Detectors S.p.A.

Strada S.Caterina, 235
41122 Modena (MO)
Tel. 059 420411
Fax 059 253973
E-mail info@microdetectors.com

date of printing

15/12/2021 12:17:20