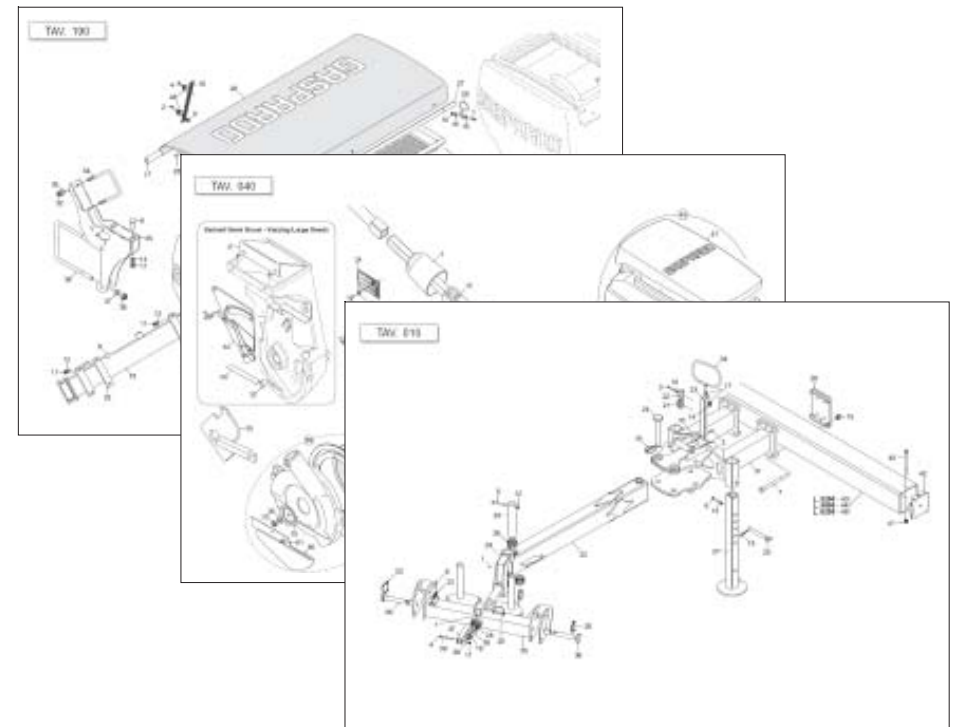


GASPARDO

MASCHIO GASPARDO S.p.A.



ROMINA

Cod: G19531371 2012-12

- *) Valido per Paesi UE
- *) Valid for EU member countries
- *) Valable dans les Pays UE
- *) Gilt für EU-Mitgliedsländer
- *) Válido para Países UE

- IT** PARTI DI RICAMBIO
- EN** SPARE PARTS
- DE** ERSATZTEILE
- FR** PIÈCES DÉTACHÉES
- ES** PIEZAS DE REPUESTO

PARTI DI RICAMBIO**SPARE PARTS****ERSATZTEILE****PIECES DÉTACHÉES****RESPUESTOS**

Le ordinazioni delle parti di ricambio vanno fatte presso i nostri concessionari di zona e devono essere sempre corredate dalle seguenti indicazioni:

- **Tipo, modello e numero di matricola dell'attrezzatura.** Tali dati sono stampigliati nell'apposita targhetta di cui è dotata ogni attrezzatura.

- **Numero di codice della parte richiesta** rilevabile dal catalogo ricambi.

- **Descrizione del particolare e quantità richiesta.**

- **Numero della tavola.**

- **Mezzo di trasporto.** Nel caso questa voce non sia specificata, la Ditta Costruttrice, pur dedicando a questo servizio una particolare cura, non risponde di eventuali ritardi di spedizione dovuti a cause di forza maggiore.

Le spese di trasporto si intendono sempre a carico del destinatario. La merce viaggia a rischio e pericolo del committente anche se venduta franco destino.

NOTA: Il termine **(Dx) Destro** o **(Sx) Sinistro** della macchina o di parti di essa, è inteso guardando la macchina dalla parte posteriore. Le eccezioni saranno indicate.

Orders must be transmitted through our area dealers and should always include the following indications:

- **Type, model and serial number of the machine.** *These data are punched on the data plate with which every implement is equipped.*

- **Code number of the required spare part.** *This will be found in the spare parts catalogue.*

- **Description of the part and required quantity.**

- **Table number.**

- **Means of dispatch.** *If this item is not indicated, the Manufacturer, while dedicating particular care to this service, shall not be held responsible for delays in delivery caused by cases of force majeure.*

Transport expenses shall always be at the consignee's charge. The goods travel at the purchaser's risk and peril even when sold ex destination.

NOTE: *The symbols (Dx) right and (Sx) left, concerning the machine or single parts of it, are referred, as in the figure, to a rear view of them. Exceptions will be indicated.*

Die Bestellungen müssen bei unseren Gebietshändler aufgegeben werden. Bei der Bestellung sind stets die folgenden Angaben zu machen:

- **Typ, Modell und Serien-Nummer des Geräts.** Diese Daten stehen auf dem Typenschild, mit dem jedes Gerät versehen ist.

- **Artikel Nr. der erforderlichen Ersatzteile.** Diese stehen im Ersatzteil-Katalog.

- **Beschreibung des Ersatzteils und die erforderliche Stückzahl.**

- **Tafelnummer.**

- **Versandmittel.** Wenn dieser Punkt nicht spezifiziert wird, haftet die Herstellerfirma nicht für etwaigen Lieferverzug aufgrund höherer Gewalt, auch wenn er diesen Service besonders aufmerksam abwickelt.

Die Frachtkosten gehen dagegen immer zu Lasten des Empfängers. Die Ware reist auf Gefahr und Risiko des Auftraggebers, auch wenn frei Haus Verkauft vereinbart worden ist.

N.B.: Die Merkzeichen **(Dx) rechts** und **(Sx) links** betreffen eine rückwärtige Aussicht der Maschine oder Teile von ihr (siehe Bild). Ausnahmen werden gezeigt.

Les ordres doivent être effectués auprès de nos concessionaires de zone en précisant les indications suivantes:

- **Type, modèle et numéro de série de la machine.** *Ces données sont gravées sur la plaque d'identification de chaque outil.*

- **Numéro de code de la pièce détachée** *indiqué sur le catalogue des pièces détachées.*

- **Description de la pièce et quantité requise.**

- **Numéro de plan.**

- **Moyen d'expédition.** *Si cette rubrique n'est pas indiquée, le Constructeur, bien que soucieux de ce service, ne répond pas des retards d'expédition pour des causes de force majeure.*

Les frais de transport sont toujours à la charge du destinataire. La marchandise voyage aux risques et périls de l'acheteur même si vendue franco de port.

N.B.: *Les références (Dx) droit et (Sx) gauche de la machine ou des parties de la même, est entendue, comme de la figure, en regardant la machine de derriere dans le sens de marche.*

Los pedidos han de efectuarse en nuestros consesionarios de zona y deben incluir siempre las siguientes indicaciones:

- **Tipo, modelo y número de matricula del equipo.** Dichos datos están impresos en la relativa placa presente en el equipo.

- **Número de código de la parte requerida** presente en el catálogo respuestas.

- **Descripción de la pieza y cantidad requerida.**

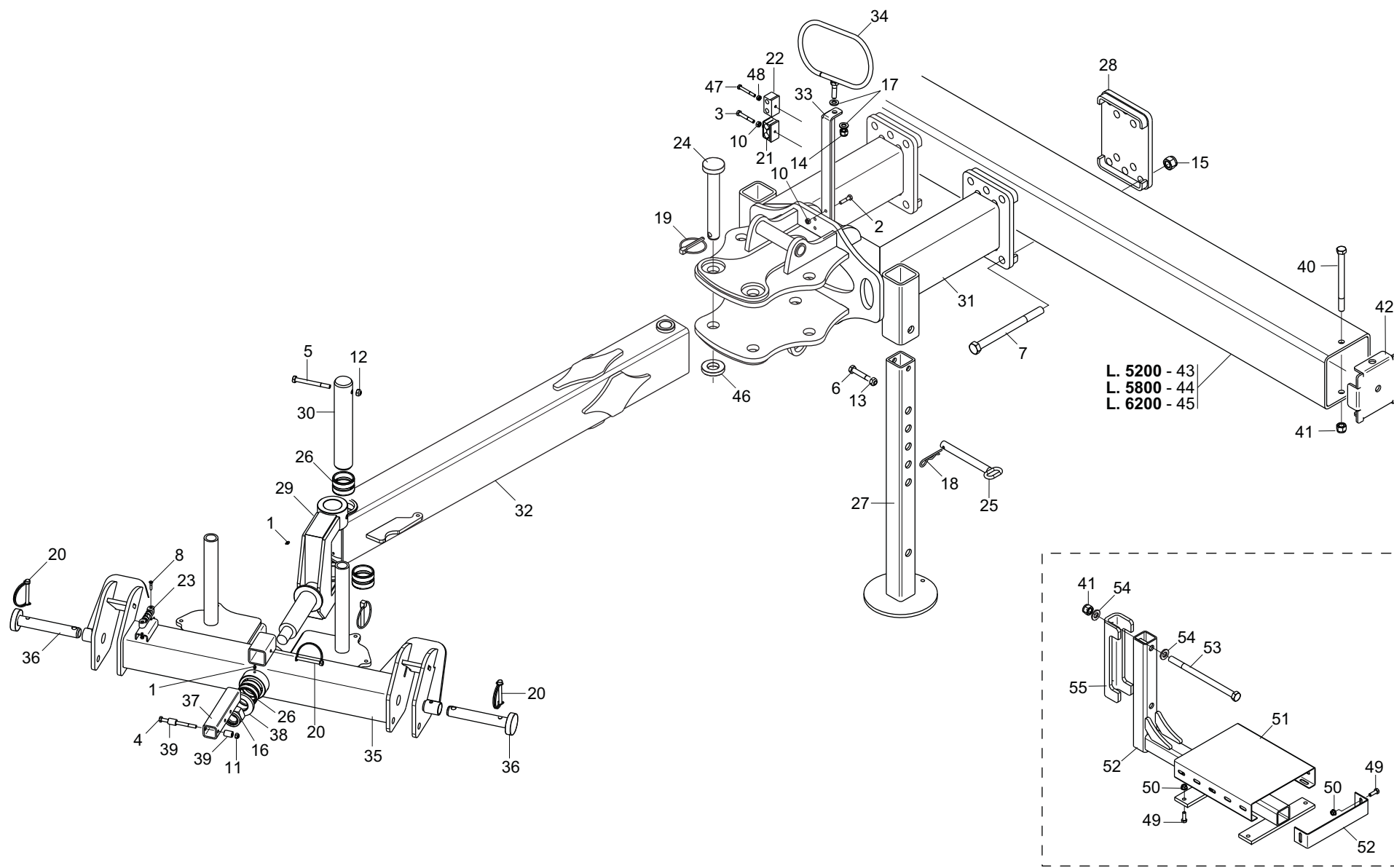
- **Numero de ilustración.**

- **Medio de transporte.** En caso que este ítem no esté especificado, el Fabricante, aún prestando la debidas consideraciones para este aspecto, no responde por eventuales retardos de env'o debidos a causas de fuerza mayor.

Los gastos de transporte se consideran siempre a cargo del destinatario. La mercadería viaja bajo riesgo y peligro del comprador, incluso cuando se vende franco destino.

N.B.: La refencia **(Dx) derecha** o **(Sx) izquierda** de la máquina o de sus componentes, se entiende, como en la figura, mirando la máquina por la parte trasera. Se indicarán las excepciones.

Nr. Tav.	Descrizione - Description	Pag.
TAV. 011	Telaio e timone	4
TAV. 021	Segnafile	6
TAV. 030	Depressore	8
TAV. 040	Distributore semi	10
TAV. 050	Scatola di rinvio elemento seminatore	12
TAV. 060	Dischi di semina	14
TAV. 070	Telaio elemento seminatore	16
TAV. 080	Ruote di profondità	18
TAV. 090	Ruote posteriori di copertura	20
TAV. 100	Coltro a disco striato	22
TAV. 110	Trash wheel - Spartiresidui rotativo	24
TAV. 120	Ruotino premiseme INOX	26
TAV. 130	Coprisemi anteriori	28
TAV. 140	Esclusione elettrica file di semina	30
TAV. 151	Ruote di trasporto	32
TAV. 161	Ruotino di trasmissione	34
TAV. 171	Trasmissione elementi seminatori	36
TAV. 191	Tramoggia fertilizzante	38
TAV. 200	Distributore FERTISYSTEM	40
TAV. 210	Elementi di concimazione	42
TAV. 220	Trasmissione fertilizzate	44
TAV. 230	Variatore fertilizzante	46
TAV. 240	Kit luci e tabelle di ingombro	48
TAV. 250	Alberi cardanici	50



TELAIO E TIMONE

TAV. 011

Pos.	Cod.	Descrizione	Description	Description	Benennung	Descripcion
1	F01100011	ING.M 6X1 7663-A 9SMNPB28 ZN	GREASE NIPPLE M6X1 7663-A ZN	GRAISS. A BILLE M6X1 7663A ZN	SCHMIERBUECHE M6X1 7663-A ZN	ENGRAS. DE ESFERAS M6X1 7663-A
2	F01020063	VITE M8X1,25X 35 U5737 8.8 ZN	BOLT M8X1,25X 35 U5737 8.8 ZN	VIS 8 X35 5737 8.G ZN	SCHRAUBE 8 X35 5737 8.G ZN	TORNILLO 8 X35 5737 8.G ZN
3	F01020075	VITE M8X1,25X 55 U5737 8.8 ZN	BOLT M8X1,25X 55 U5737 8.8 ZN	VIS M8X1,25X 55 U5737 8.8 ZN	SCHRAUBE M8X1,25X 55 U5737	TORNILLO M8X1,25X 55 U5737
4	F01020090	VITE M8X1,25X100 U5737 8.8 ZN	BOLT 8 X100 5737 8.G GALVANIZ.	VIS 8 X100 5737 8.G ZN	SCHRAUBE 8 X100 5737 8.G ZN	TORNILLO 8 X100 5737 8.G ZN
5	F01020133	VITE M10X1,5X100 U5737 8.8 ZN	BOLT M10X1,5X100 U5737 8.8 ZN	VIS 10X100 5737 8.G ZN	SCHRAUBE 10X100 5737 8.G ZN	TORNILLO 10X100 5737 8.G ZN
6	F01020166	VITE M12X1,75X80 U5737 8.8 ZN				
7	F01020390	VITE M20X 2,5X250 U5737 10.9				
8	F01030024	VITE M5X0,8X25 U5933 10.9 ZD	BOLT M5X 0,8X25 U5933 10.9 ZD	VIS 5x25 5933 10.9 ZN	SCHRAUBE 5x25 5933 10.9 ZN	TORNILLO 5x25 5933 10.9 ZN
9	F01200220	DADO M 5X 0,8 U5588 6.8 ZN	NUT 5 UNI 5588 6.8 GALVANIZED	ECROU 5 UNI 5588 6.8 ZN	MUTTER 5 UNI 5588 6.8 ZN	TUERCA 5 UNI 5588 6.8 ZN
10	F01200244	DADO M 8X1,25 U5588 6.8 ZN	NUT M8 X1,25 U5588 6.8 ZN	ECROU M8 X1,25 U5588 6.8 ZN	MUTTER M8 X1,25 U5588 6.8 ZN	TUERCA M8 X1,25 U5588 6.8 ZN
11	F01220022	DADO M 8X1,25 D980 8 ZN	NUT M8X 1,25 D980 8 ZN	ECROU M8X 1,25 D980 8 ZN	MUTTER M8X 1,25 D980 8 ZN	TUERCA M8X 1,25 D980 8 ZN
12	F01220033	DADO M10X 1,5 D980 8 ZN	NUT M10X 1,5 D980 8 ZN	ECROU M10X 1,5 D980 8 ZN	MUTTER M10X 1,5 D980 8 ZN	TUERCA M10X 1,5 D980 8 ZN
13	F01220048	DADO M12X1,75 D980 8 ZN	NUT M12X1,75 D980 8 ZN	ECROU M12X1,75 D980 8 ZN	SCHEIBE M12X1,75 D980 8 ZN	TUERCA M12X1,75 D980 8 ZN
14	F01230059	DADO M12X1,75 D982 8 ZN	NUT M12X1,75 D982 8 ZN	ECROU M12X1,75 D982 8 ZN	MUTTER M12X1,75 D982 8 ZN	TUERCA M12X1,75 D982 8 ZN
15	F01230131	DADO M20X 2,5 D982 6 ZN	NUT M20X 2,5 D982 6 ZN	ECROU M20X 2,5 D982 6 ZN	MUTTER M20X 2,5 D982 6 ZN	TUERCA M20X 2,5 D982 6 ZN
16	F01230156	DADO M30X 2 D982 8 ZN	SELF LOCK. NUT M30X2 D982 8 ZN	ECROU AUTOBL. M30X2 D982 8 ZN	SELBSTSP.MUTT. M30X2 D982 8 ZN	TUERCA AUTOBL. M30X2 D982 8 ZN
17	F01410076	ROS.M12 13X 24X2,5 U6592 ZN	WASHER D12 U6592 ZN	RONDELLE D12 U6592 ZN	SCHEIBE D12 U6592 ZN	ARANDELA D12 U6592 ZN
18	F02200374	COPIGLIA R 4X 82 ZN	SPRING SPLIT PIN 4X82	GOUPILLE 4X82	SPLINT 4X82	PASADOR 4X82
19	F02200507	SPINA A SCATTO D 9 B/83	SNAP PIN D9 B/83 ZN	FICHE A DETENTE D9 B/83 ZN	EINRASTSTIFT D9 B/83 ZN	CLAVIJA DE MUELLE D9 B/83 ZN
20	F02200562	SPINA SICUR. D. 8X70 ZN	SNAP PIN D.8X 70 ZN	FICHE EL. D.8X70 ZN	SCHERSTIFT D.8X 70 ZN	CLAVIJA D.8X 70 ZN
21	F02350014	BLOCCETTO FERMA 2 TUBI D.18	FIXING BLOCK 2 TUBE D.18	BLOQUE DE FIXATION 2 TUBE D.18	BEFESTIGUNGS-BLOCK 2 ROHR D18	FIJACION DE BLOQUE 2 TUB. D.18
22	F02350030	BLOCCETTO FERMA 2 TUBI D.12	FIXING BLOCK 2 TUBE D12	BLOQUE DE FIXATION 2 TUBE D12	BEFESTIGUNGS-BLOCK 2 ROHR D12	FIJACION DE BLOQUE 2 TUB. D12
23	F05150246	BOLLA ORIZZONTALE LIVELLO				
24	F20100140	PERNO D32 L208 C43 ZN	PIN D32 L208 C43 ZN			
25	G14215360	SPINA DI SICUREZZA	PIN D20 L173,5	FICHE D20 L173,5	STIFT D20 L173,5	CLAVIJA D20 L173,5
26	G15315980	BOCCOLA 50 X60 X40 CEMEN.	BUSHING CEMENT. 50X60X40	BOITE 50X60X40	BUCHSE 50X60X40	CASQUILLO 50X60X40
27	G15817000	PUNTELLO TELAIO PIEGH.				
28	G15910581	PIASTRA DI SCONTRO				
29	G16410320	SNODO TIMONE	DRAWBAR JOINT	ARTICULATION TIMON	DEICHELSELGELENK	ARTICULACIÓN TIMÓN
30	G16410450	SPINA 50X252	PIN 50X252	GOUPILLE 50X252	STIFT 50X252	CLAVIJA 50X252
31	G17612400	ATTACCO TIMONE				
32	G17612880	TUBO TIMONE				
33	G17613510	SUPP.VERTICALI TUBO 102				
34	G17613660	TONDINO SUPP.TUBO				
35	G17613680	TIMONE PER SNODO				
36	G17613730	SPINA ATTACCO BARRE TIMONE ZN				
37	G17614020	TUBO Q. 40X 4X 190 FORATO				
38	G18701810	RONDELLA 38 X70 X10 ZN	WASHER 38X70X10	RONDELLE 38X70X10	UNTERLEGSSCHEIBE 38X70X10	ARANDELA 38X70X10
39	G20980009	BOCCOLA 22 8,5X16	BUSHING 22X8,5X16	BOITE 22X8,5X16	BsCHSE 22X8,5X16	CASQUILLO 22X8,5X16
40	F01020292	VITE M16X 2X200 U5737 10.9				
41	F01230085	DADO M16X 2 D982 8 ZN	NUT M16X 2 D982 8 ZN	ECROU M16X 2 D982 8 ZN	MUTTER M16X 2 D982 8 ZN	TUERCA M16X 2 D982 8 ZN
42	G17613500	TAPPO TELAIO 180X180 FE				
43	G17613630	TUBO Q.180X 8X5200				
44	G17613830	TUBO Q.180X 8X5800				
45	G17613980	TUBO Q.180X 8X6200				
46	G18803810	BOCCOLA 32.5X63 X11 ZN				
47	F01020416	VITE M 6X 1X 55 U5739 8.8 ZN	BOLT M6X 1X 55 U5739 8.8 ZN	VIS 6 X55 5739 8.G ZN	SCHRAUBE 6 X55 5739 8.G ZN	TORNILLO 6X55 5739 8.G ZN
48	F01200232	DADO M 6X 1 U5588 6.8 ZN	NUT 6 UNI 5588 6.8 GALVANIZED	ECROU 6 UNI 5588 6.8 ZN	MUTTER 6 UNI 5588 6.8 ZN	TUERCA 6 UNI 5588 6.8 ZN
49	F01020440	VITE M 8X1,25X25 U5739 8.8 ZN	BOLT M8X1,25X25 U5739 8.8 ZN	VIS M8X1,25X25 U5739 8.8 ZN	SCHRA. M8X1,25X25 U5739 8.8 ZN	TORNIL. M8X1,25X25 U5739 8.8 ZN
50	F01260043	DADO FLANG.M8 D6923 8.8 ZN	FLANGE NUT M8 DIN 6923 8.8 GAL	ECROU BRIDE .M8 DIN 6923 8.8 Z	GEFLANSCHTE MUTTER M8 DIN6923	TUERCA BRIDA M8 DIN 6923 8.8 Z
51	G15171770	PEDANA 250X300X60 SP2 ZN	BOARD 250X300X60 SP2 ZN			
52	G17614540	SUPPORTO SCALETTA				
53	F01020391	VITE M16X 2X280 U5737 8.8				
54	F01410100	ROS.M16 17X 30X 3 U6592 ZN	WASHER M16 17X30X3 U6592 ZN	RONDELLE M16 17X30X3 U6592 ZN	SCHEIBE M16 17X30X3 U6592 ZN	ARANDELA M16 17X30X3 U6592 ZN
55	G17714320	SCONTRO A U SP.10 2F16,5 197				

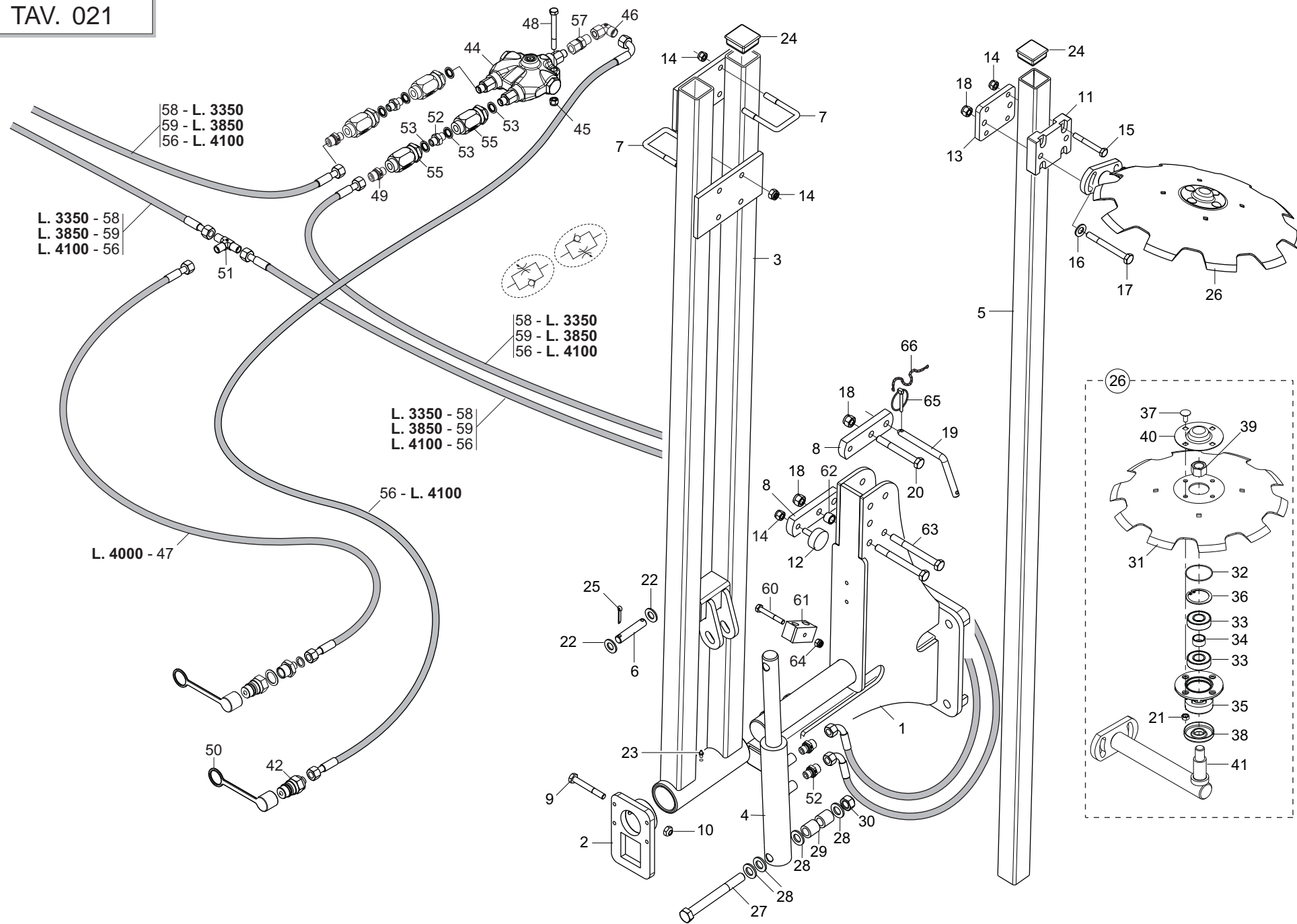
56 G07000379 TERMINALE PEDANA ZN
cod. G19531371

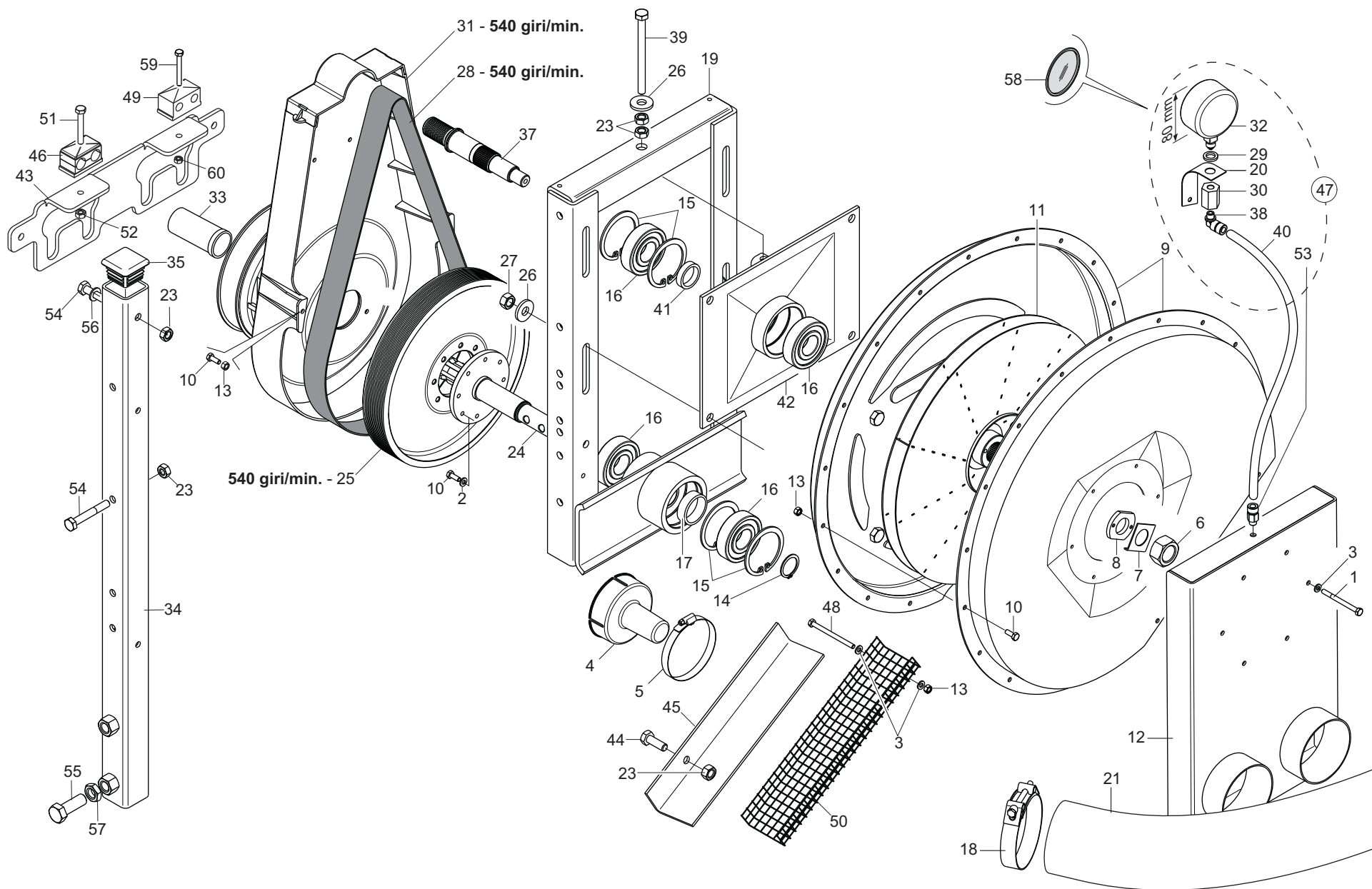
GALVANIZED PLATFORM END

GASPARDO

LAUFSTEGABSCHLUSS ZN

TERMINAL PLATAFORMA ZN



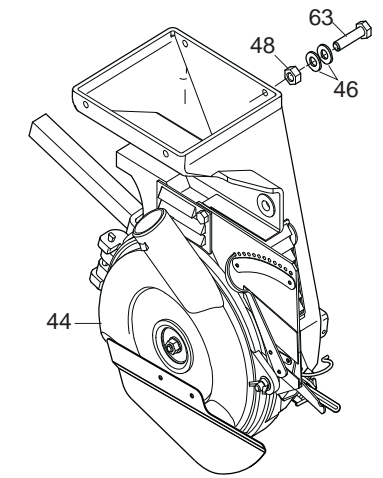
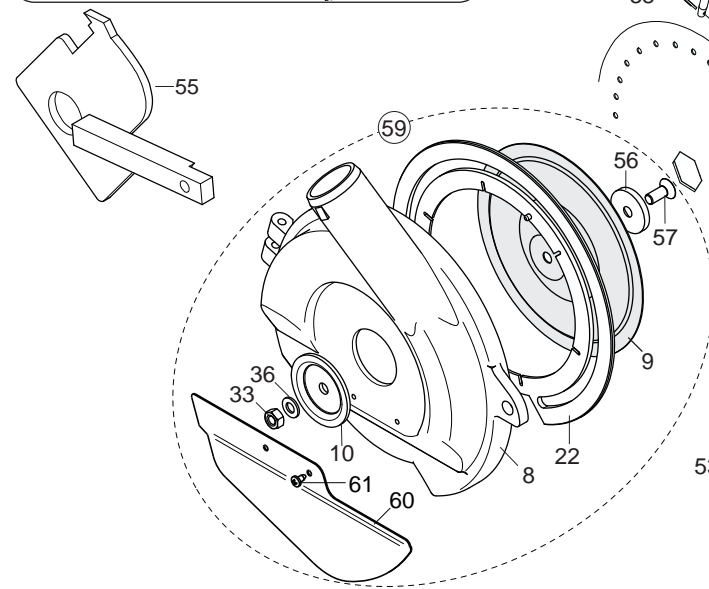
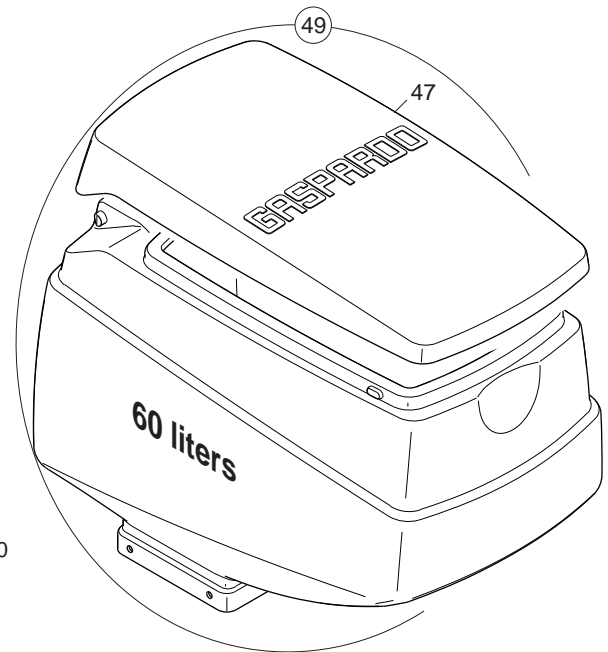
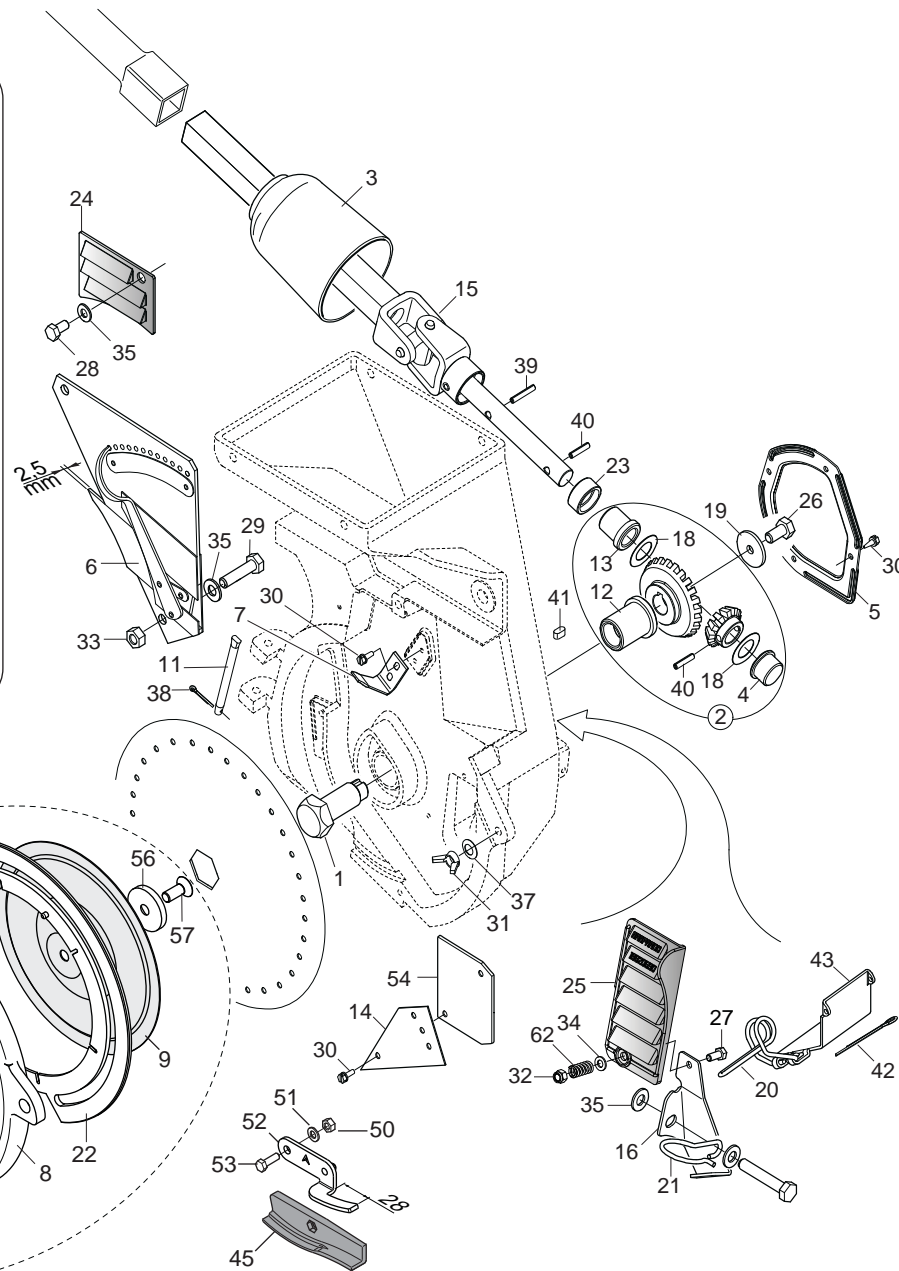
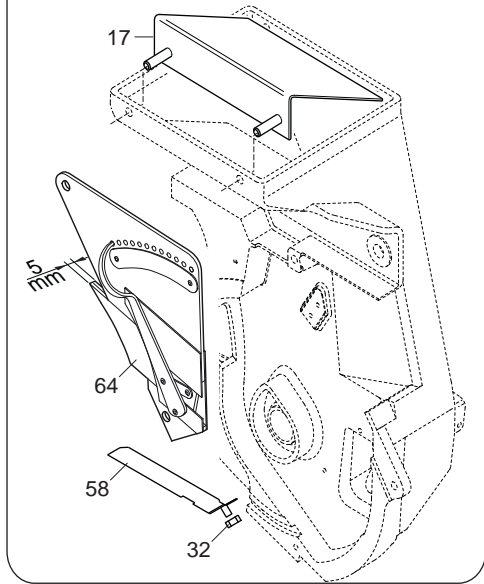


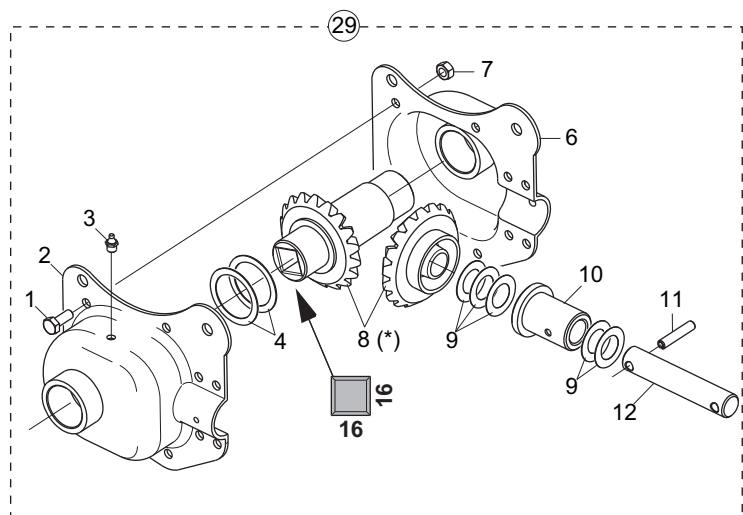
DEPRESSORE

TAV. 030

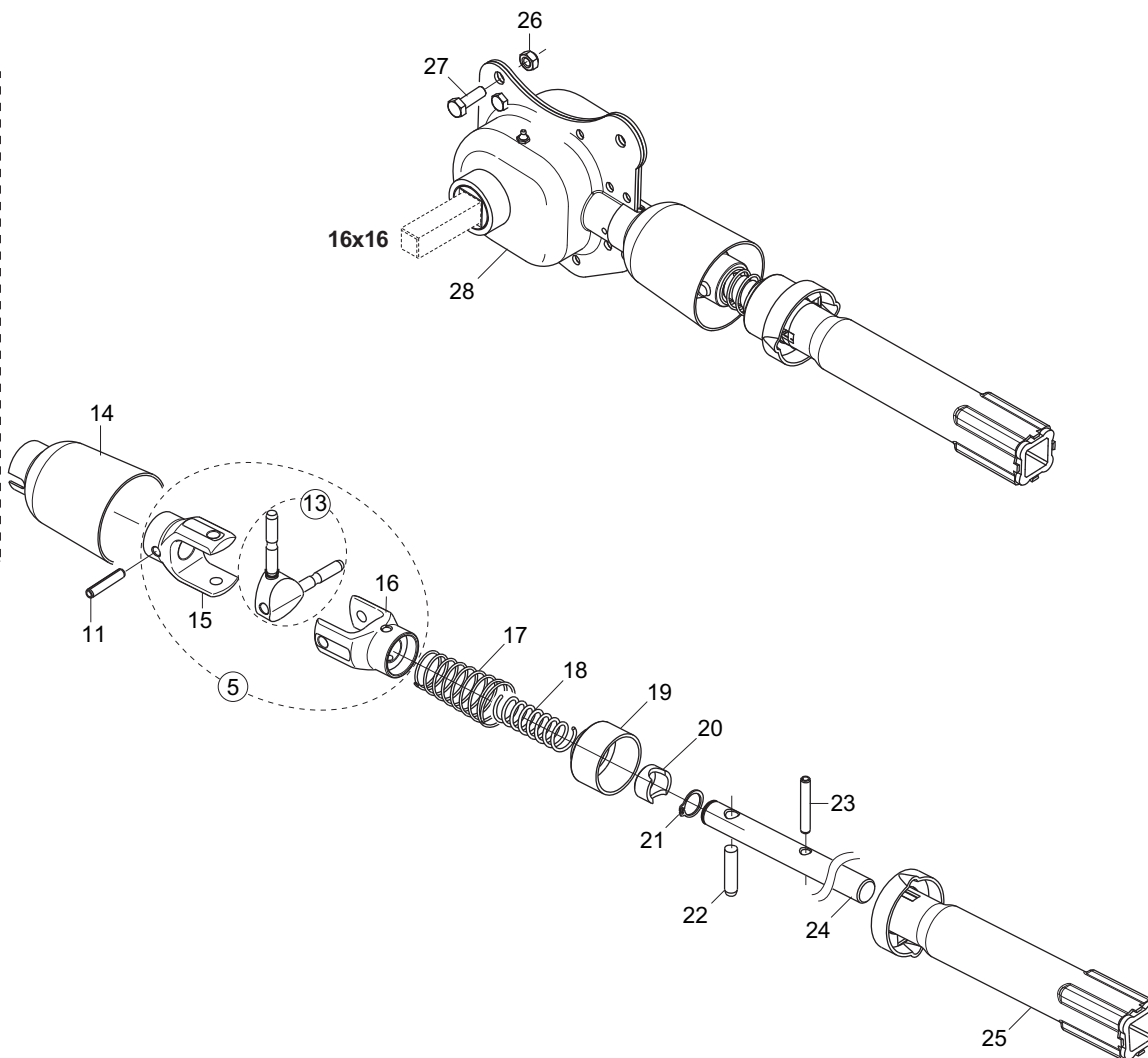
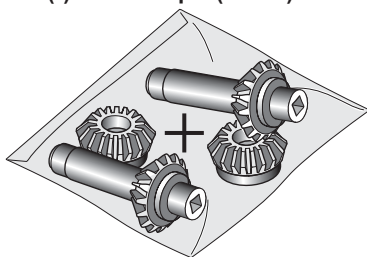
Pos.	Cod.	Descrizione	Description	Description	Benennung	Descripcion
1	F01020047	VITE M6X1X70 U5737 8.8 ZN	BOLT M6X 1X70 U5737 8.8 ZN	VIS 6 X70 5737 8.G ZN	SCHRAUBE 6 X70 5737 8.G ZN	TORNILLO 6 X70 5737 8.G ZN
2	F01430047	ROS.M6 6,4X 11X0,7 U8842J ZN	WASHER D6 DIN 6798 D.INT.GALV.	WASHER D6 DIN 6798 D. INT. Z	UNT. SCHEIBE D6 DIN 6798 D. IN	ARANDELA D6 DIN 6798 D.INT.ZN
3	F01420037	ROS.M6 6,4X 24X 2 U6593 ZN	WASHER M6 6,4X24X2 U6593 ZN			
4	G19005570	CUFFIA PROTEZIONE PTO				
5	F02300025	FASCETTA STRING. 90/110 H.12	STRING FASTENING STRAPS 90/110	COLLIER DE SERRAGE 90/110	ROHRSCHELLE 90/110	ABRAZADERA APRET. 90/110
6	F01230143	DADO M24X 2 D982 8 ZN	NUT M24X2 D982 8 ZN	ECROU M24X2 D982 8 ZN	MUTTER M24X2 D982 8 ZN	TUERCA M24X2 D982 8 ZN
7	G13912060	PIASTRINA DI TENUTA	STOP PLATE	PLAQUETTE DE TENUE	DICHTPLZTTCHEN	PLACA DE RETENCIN P
8	G13912050	RONDELLA DI FERMO	STOP WASHER	RONDELLE DE BLOCAGE	FESTSTELLSCHEIBE	ARANDELLA DE BLOQUEO
9	G22230335	INVOLUCRI DEPRESSORE	VACUUM PUMP CASINGS	ENVELOPPES DEPRESSEUR H	sLLEN VAKUUMPUMPE C	AJAS BOMBA VACO CA
10	F01020403	VITE M6X1X16 U5739 8.8 ZN	BOLT M6X1X16 U5739 8.8 ZN	VIS M6X1X16 U5739 8.8 ZN	SCHRAUBE M6X1X16 U5739 8.8 ZN	TORNILLO M6X1X16 U5739 8.8 ZN
11	G22230015	GIRANTE	ROTOR			
12	G17650140	SCATOLA ARIA DEPRESSORE				
13	F01220011	DADO M 6X 1 D980 8 ZN	NUT M6X1 D980 8 ZN	ECROU M6X1 D980 8 ZN	MUTTER M6X1 D980 8 ZN	TUERCA M6X1 D980 8 ZN
14	F02050112	ANELLO E. DE 30X 1,5 U7435 C70	SEEEGER RING 30X 1,5 U7435 C70	SEEEGER E. 30 X 1,5 U7435 C70	SEEEGERING E. 30X 1,5 U7435 C70	ANILLO E. 30 X 1,5 U7435 C70
15	F02050403	ANELLO E. DI 72X 2,5 U7437 C70	SEEEGER RING E.72X2,5 U7437 C70	SEEEGER E. 72X 2,5 U7437 C70	SEEEGERING E. 72X 2,5 U7437 C70	ANILLO E. 72X 2,5 U7437 C70
16	F04010215	CUSC.D30 D72 B19 6306 2RSC3 EX	BEARING D30 D72 B19 6306 2RSC3	PALIER 6306 2RS C3	LAGER 6306 2RS C3	COJINETE 6306 2RS C3
17	G22230010	DISTANZIALE CUSCINETTI	BEARING SPACER	ENTRETOISE PALIERS	DISTANZSTsCK LAGER	DISTANCIADOR COJINETES
18	F02350080	FASCETTA AC104-112 W2 ZN C.VIT				
19	G15850200	INCASTELLATURA DEPRESSORE	DIFFUSION AIR PUMP FRAME	B-TI POMPE A D+PRESSION	GESTELL VAKUUMPUMPE	ARMAZÉN BOMBA VAC-O
20	G22270134	SUPPORTO VACUOMETRO SP	VACUUM METER SUPPORT SP	SUPPORT VACUOMETRE SP	HALTERUNG VAKUUMMETER SP	SOPORTE VACUMETRO SP S
21	F03100476	TUBO EOLO PU D.102				
23	F01200270	DADO M10X 1,5 U5588 6.8 ZN	NUT M10X 1,5 U5588 6.8 ZN	ECROU M10X 1,5 U5588 6.8 ZN	MUTTER M10X 1,5 U5588 6.8 ZN	TUERCA M10X 1,5 U5588 6.8 ZN
24	G22270369	P.D.I P.CON CODOLO	POWER TAKE-OFF- W/ SPIGOT	PRISE DE FORCE AVEC CONE	KRAFTABTRIEB MIT ENDSTsCK	TOMA DE FUERZA CON MANGO
25	G22230012	PULEGGIA MOTRICE	DRIVING PULLEY	POULIE MOTRICE 540T	ANTRIEBSSCHEIBE	POLEA MOTRIZ
26	G20970035	RONDELLA 32X4X13	WASHER 32X4X13	RONDELLE 32X4X13	UNTERLEGSSCHEIBE 32X4X13	ARANDELA 32X4X13
27	F01200293	DADO M12X1,75 U5588 6.8 ZN	NUT M12X1,75 U5588 6.8 ZN	ECROU M12X1,75 U5588 6.8 ZN	MUTTER M12X1,75 U5588 6.8 ZN	TUERCA M12X1,75 U5588 6.8 ZN
28	F06010160	CINGHIA POLY V 1287 J-16 GOLE	BELT POLY V 1287 J-16 CU GAT	COURROIE POLY V 1287 J-16 GOR	MUTTER M12X1,75 U5588 6.8 ZN	BANDA POLY V 1287 J-16 GOLE
29	F05150479	ROND.APPOGGIO MANOMETRI SV	PRESSURE GAUGE REST WASHER	ROND. LOGEMENT MANOMETRES SV	STsTZSCHEIBE MANOMETER SV	ARAND. SOPORTE MANOMETROS SV
30	G22250274	COLLEGAMENTO MANOMETRI SP-SV	PRESSURE GAUGE CONNECT. SP-SV	RACCORD MANOMETRES SP-SV	VERBINDUNG MANOMETER SP-SV	CONEXIN MANMETROS SP-SV LE
31	G15450342	PROTEZ.CINGHIA DEPRES.COMPLETEO	BELT PROTECTION			
32	F03151288	VACUOM.0-100 MBAR C.SM.INC.D80	VACUUM METER 0-100 MBAR C.SMOR	VACUOMETRE 0-100 MBARS A/SUPPO	VAKUUMMETER 0-100 MBAR M. DZMP	VACUM. 0-100 MBAR C.ATEN.INC.V
33	G19002131	PROTEZIONE P.D.P.	PDP GUARD			
34	G15950250	ASS.TUBO Q.50	ASS.TUBE Q.50			
35	F20120349	PUNTALE Q.50 ALETT.POLIT.NERO	CAP	BOUCHON	DECKEL	CORCHO
36	G18903850	MOLLA SPEC.ZN GUIDA 2 TUBI DEP	GUIDE SPRING 2 PIPE DEPRESS.			
37	G15450390	PULEGGIA CONDOTTA	DRIVEN PULLEY D.28	POULIE ENTRAINEE D. 28	GETRIEBENE SCHEIBE D.28	POLEA CONDUCIDA D.28
38	F03151200	RACCORDO 90° C5 1/8' 6/8	UNION 90° C5 1/8' 6/8	RACCORD 90° C5 1/8' 6/8	ANSCHLUSSTsCK 90° C5 1/8' 6/8	UNION 90° C5 1/8' 6/8
39	G15450270	VITE 10X130 8.8 FIL.60 ZN	GALVANIZ. BOLT 10X130 8.8 FIL	VIS 10X130 8.8 FIL.60 ZN	SCHRAUBE 10X130 8.8 GEW.60 ZN	TORNILLO 10X130 8.8 FIL.60 ZN
40	F03100391	TUBO POLIURETANO 8-6	POLIURETHAN PIPE 8-6			
41	G22230014	DISTANZIALE	SPACER	ENTRETOISE	DISTANZSTsCK	DISTANCIADOR
42	G15450091	SUPPORTO PULEGGIA CONDOTTA	DRIVEN PULLEY SUPPORT	SUPPORT POULIE ENTRAINEE	HALTERUNG GETRIEBENE RIEMENSCH	SOPORTE POLEA CONDUCIDA
43	G17650200	LAMIERA SUPP.TUBI IDR.				
44	F01020472	VITE M10X1,5X25 U5739 8.8 ZN	BOLT 10X25 5739 8.G GALVANIZED	VIS 10X25 5739 8.G ZN	SCHRAUBE 10X25 5739 8.G ZN	TORNILLO 10X25 5739 8.G ZN
45	G15450280	PROTEZIONE DEPRESSORE	VACUUM PUMP PROTECTION	PROTECTION DEPRESSEUR	SCHUTZ VAKUUMPUMPE	PROTECCIN BOMBA DE VACO PR
46	F02350014	BLOCCHETTO FERMA 2 TUBI D.18	FIXING BLOCK 2 TUBE D.18	BLOQUE DE FIXATION 2 TUBE D.18	BEFESTIGUNGS-BLOCK 2 ROHR D18	FIJACION DE BLOQUE 2 TUB. D.18
47	G22270093	VACUOMETRO COMPL. SP LM	VACUUM METER ASSY. SP LM	VACUOMETRE COMPL. SPLM	KOMPL. VAKUUMMETER SPLM	VACUMETRO COMPL. SP LM V
48	F01020050	VITE M6X1X80 U5737 8.8 ZN	BOLT M6X 1X80 U5737 8.8 ZN	VIS 6 X80 5737 8.G ZN	SCHRAUBE 6 X80 5737 8.G ZN	TORNILLO 6 X80 5737 8.G ZN
49	F02350030	BLOCCHETTO FERMA 2 TUBI D.12	FIXING BLOCK 2 TUBE D12	BLOQUE DE FIXATION 2 TUBE D12	BEFESTIGUNGS-BLOCK 2 ROHR D12	FIJACION DE BLOQUE 2 TUB. D12
50	G10150291	GRIGLIA PROTEZIONE ZN	AIR PUMP PROTECT. GRID	GRILLE DE PROTECT.DISP. DEPRES	SCHUTZGITTER VAKUUMPUMPE	REJILLA DE PROTECCIN BOMBA VAG
51	F01020075	VITE M8X1,25X 55 U5737 8.8 ZN	BOLT M8X1,25X 55 U5737 8.8 ZN	VIS M8X1,25X 55 U5737 8.8 ZN	SCHRAUBE M8X1,25X 55 U5737	TORNILLO M8X1,25X 55 U5737
52	F01200244	DADO M 8X1,25 U5588 6.8 ZN	NUT M8 X1,25 U5588 6.8 ZN	ECROU M8 X1,25 U5588 6.8 ZN	MUTTER M8 X1,25 U5588 6.8 ZN	TUERCA M8 X1,25 U5588 6.8 ZN
53	F03151206	RACCORDO DIR. C1 1/8' 6/8	UNION STRAIGHT C1 1/8' 6/8	RACCORD DRT. C1 1/8' 6/8	ANSCHLUSSTsCK GERADE C1 1/8"	UNIN DER. C1 1/8' 6/8 R
54	F01020122	VITE M10X1,5X70 U5737 8.8 ZN	SCREW M10X1,5X70 U5737 8.8 ZN	VIS M10X1,5X70 U5737 8.8 ZN	SCHRA.M10X1,5X70 U5737 8.8 ZN	TORN. M10X1,5X70 U5737 8.8 ZN
55	F01020568	VITE M16X2X45 U5739 8.8 ZN	BOLT M 16X 2X45 U5739 8.8 ZG	VIS M 16X 2X45 U5739 8.8 ZG	SCHRAUBE M 16X 2X45 U5739 8.8	TORNILLO M16X 2X45 U5739 8.8
56	F01410064	ROS.M10 10,5X 20X 2 U6592 ZN	WASHER M10 10,5X20X2 U6592 ZN	RONDELL.M10 10,5X20X2 U6592 ZN	SCHEIBE M10 10,5X20X2 U6592 ZN	ARAND. M10 10,5X20X2 U6592 ZN
57	F01200444	DADO M16X 2 U5589 6S ZN	NUT M16X2	ECROU M16X2	MUTTER M16X2	DADO M16X2
58	F03151356	VETRO VACUOM.0-100 MBAR D80				
59	F01020416	VITE M 6X 1X 55 U5739 8.8 ZN	BOLT M6X 1X 55 U5739 8.8 ZN	VIS 6 X55 5739 8.G ZN	SCHRAUBE 6 X55 5739 8.G ZN	TORNILLO 6X55 5739 8.G ZN
60	F01200232	DADO M 6X 1 U5588 6.8 ZN	NUT 6 UNI 5588 6.8 GALVANIZED	ECROU 6 UNI 5588 6.8 ZN	MUTTER 6 UNI 5588 6.8 ZN	TUERCA 6 UNI 5588 6.8 ZN

Varianti Semi Gossi - Varying Large Seeds





(*) Kit = 2+2 pz. (16x16)



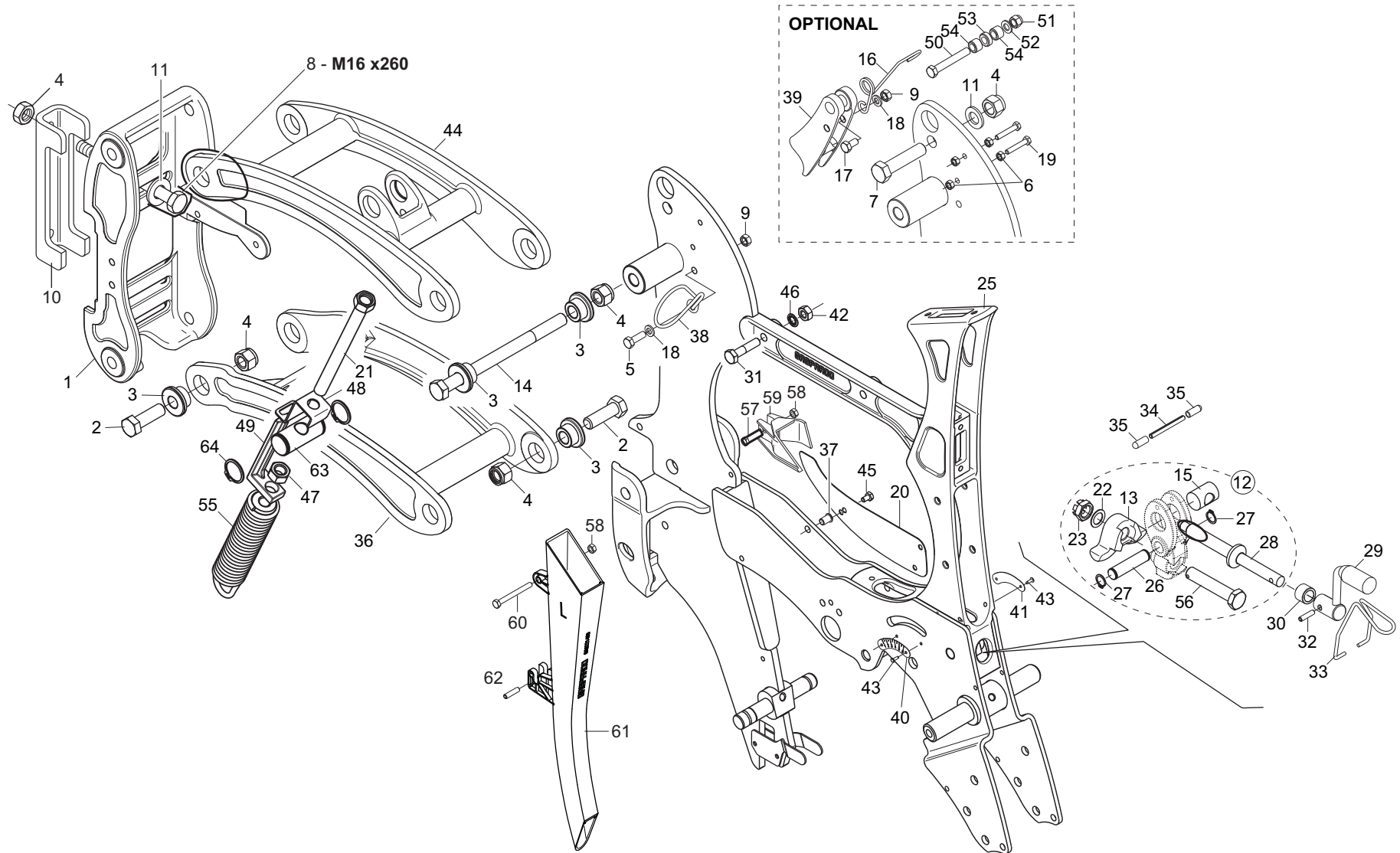
SCATOLA DI RINVIO ELEMENTO SEMINATORE

TAV. 050

Pos.	Cod.	Descrizione	Description	Description	Benennung	Descripcion
1	F01020403	VITE M6X1X16 U5739 8.8 ZN	BOLT M6X1X16 U5739 8.8 ZN	VIS M6X1X16 U5739 8.8 ZN	SCHRAUBE M6X1X16 U5739 8.8 ZN	TORNILLO M6X1X16 U5739 8.8 ZN
2	G22220103	CONCHIGLIA SX	LEFT SHELL			
3	F01100011	ING.M 6X1 7663-A 9SMNPB28 ZN	GREASE NIPPLE M6X1 7663-A ZN	GRAISS. A BILLE M6X1 7663A ZN	SCHMIERBUECHE M6X1 7663-A ZN	ENGRAS. DE ESFERAS M6X1 7663-A
4	G18700510	RONDELLA 31 X40 X0,6 ZN	GROWER 32 X 40 X 0,6 ZN			
5	G15423980	FORCELLE SNODO ESCL.ELET.COMPL	COMPLET FORK ELECTRIC SWITCH O			
6	G22220102	CONCHIGLIA DX	RIGHT SHELL	COQUILLE DRT.	SCHALE RECHTS	MOLDE DER.
7	F01220011	DADO M 6X 1 D980 8 ZN	NUT M6X1 D980 8 ZN	ECROU M6X1 D980 8 ZN	MUTTER M6X1 D980 8 ZN	TUERCA M6X1 D980 8 ZN
8	G22270389	2+2 INGR.SCATOLA DI RINVIO >	2+2 INTERM. TRANSM. GEAR BOX	COUPLE CON RENV ANGLE (2+2)	2+2 ZAHNRZDER VORGELEGEGEHUSE	2+2 ENGRANAJES CAJA DE LA TRAN
9	G22220073	RONDELLA 28X0,3X16,5	WASHER 28X0-3X16-5	RONDELLE 28X0-3X16-5	UNTERLEGSSCHEIBE 28X0-3X16-5	ARANDELA 28X0-3X16-5
10	G66349001	BOCCOLA	BUSHING	BOITE	B_CHSE	CASQUILLO
11	F02100114	SPINA E.P. 6X 30 U6873 C70 BR	ELASTIC PIN 6X30	GOUJON ELASTIQUE 6X30	SPANNHUELSE 6X30	ESPINA ELASTICA 6X30
12	G22270452	ALBERO SCATOLA RINVIO SP/S	INTERMEDIATE BOX SHAFT	ARBRE TRANSMISSION SP/S	WELLE VORGELEGEGEHUSE SP/S	æRBOL CAJA DE TRANSMISIN SP/SA
13	G22270454	CROCIERA COMPL. SP/S	SPIDER SP/S	CROSILLON COMPL CARDAN TRANSM	GELENKKREUZ KOMPL. SP/S	CRUCETA COMPL. SP/S
14	G19002840	COPRICARDANO SUPERIORE	TOP CARDAN JOINT COVER	COUVRE-CARDAN SUPERIEUR	OBERE KARDANABDECKUNG	CUBRECARDæN SUPERIOR
15	G19204080	FORCELLA				
16	G19204090	FORCELLA				
17	G65338039	MOLLA COMP.ZN INNESTO SP	ZN COUPLING COMP. SPRING SP	RESSORT COMPL. ZN ACCOUPLEM.	DRUCKFEDER ZN KUPPLUNG SP	MUELLE COMP.ZN ACOPLAMIENTO SP
18	G65338018	MOLLA COMP.ZN SCATOLA RINV.SP	TRANSM. BOX COMP. SPRING . SP	RESSORT COMPL. ZN TRANSMISSION	DRUCKFEDER ZN VORGELEGEGEHUSE	MUELLE COMP.ZN CAJA TRANSFER..
19	G66248102	ANELLO SICUREZZA SP	SAFETY RING	BAGUE SECURITE SP	SICHERHEITSRING SP	ANILLO DE SEGURIDAD SP
20	G22220105	BOCCOLA DI SPINTA	THRUST BUSHING	BOITE DE POUSSEE	SCHUBBCHSE	CASQUILLO DE APRIETE
21	F02050045	ANELLO E. DE 16X 1 U7435 C70	SEEGER RING 16X 1 U7435 C70	BAGUE SEEGER 16 X 1 U7435 C70	SEEGERING 16 X 1 U7435 C70	ANILLO 16X 1 U7435 C70
22	G66248057	SPINA DI SICUREZZA SP	SAFETY PIN SP	BROCHE PLASTIC SECURITE CARDAN	SICHERHEITSSTIFT SP	CLAVIJA DE SEGURIDAD SP
23	F02100121	SPINA E.P. 6X 40 U6873 C70 BR	ELASTIC PIN 6X40	GOUJON ELASTIQUE 6X40	SPANNHUELSE 6X40	PASADOR 6X40
24	G17722540	PERNO ZN.	PIN ZN.			
25	G17723020	ASS.INNESTO REGINA	ASSY CLUTCH REGINA			
26	F01220022	DADO M 8X1,25 D980 8 ZN	NUT M8X 1,25 D980 8 ZN	ECROU M8X 1,25 D980 8 ZN	MUTTER M8X 1,25 D980 8 ZN	TUERCA M8X 1,25 D980 8 ZN
27	F01020440	VITE M 8X1,25X25 U5739 8.8 ZN	BOLT M8X1,25X25 U5739 8.8 ZN	VIS M8X1,25X25 U5739 8.8 ZN	SCHRA. M8X1,25X25 U5739 8.8 ZN	TORNIL.M8X1,25X25 U5739 8.8 ZN
28	GA5220190	SCATOLA RINVIO Q16 EL.MTR				
29	G16033200	MONT.SCATOLA RINVIO Q.16 PLA >	TRANSFER CASE	BOITE RENVOI	VORGELEGEGEHUSE	CAJA DE DISTRIBUCIN

TAV. 060

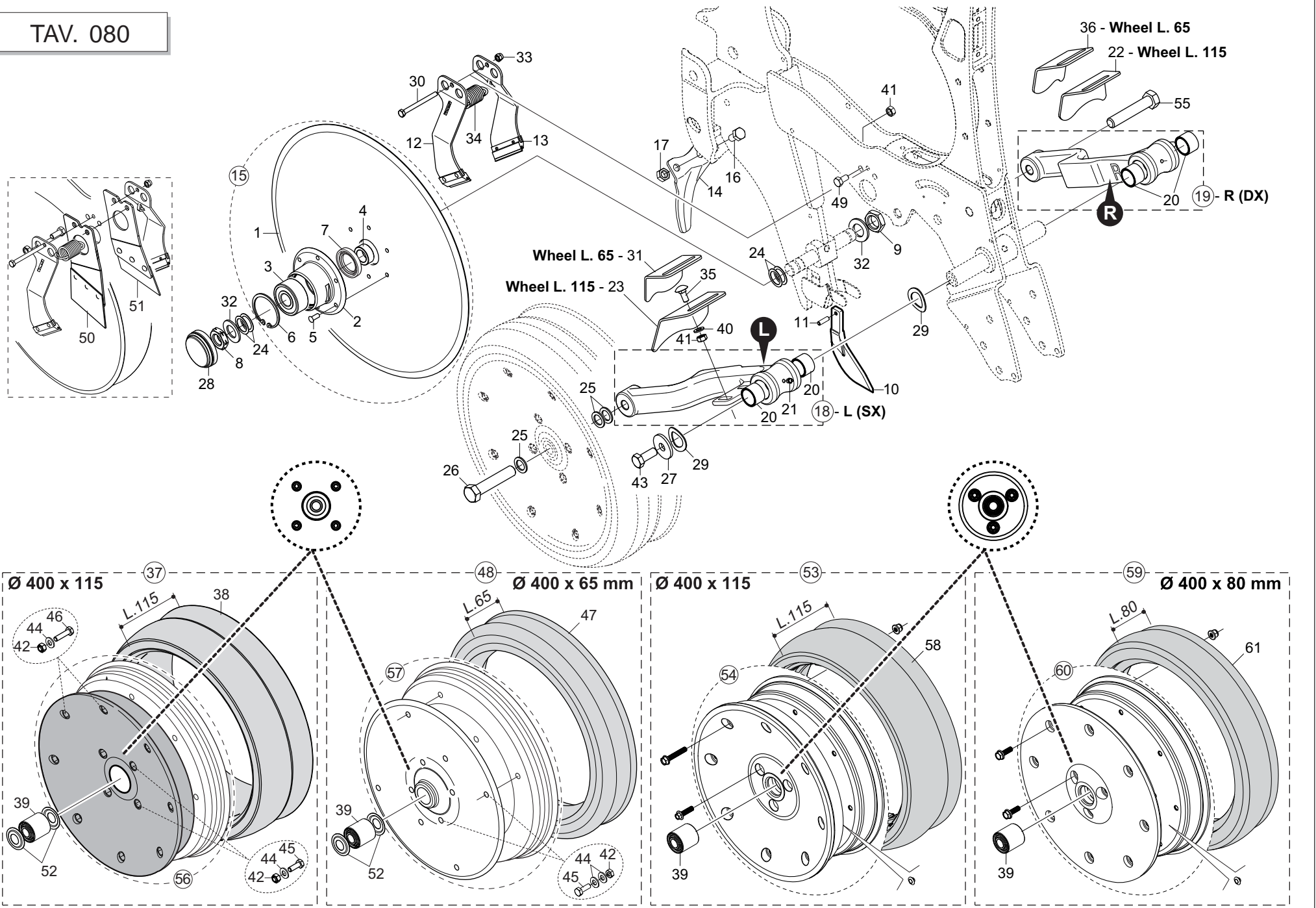
Codice Code Code Kodex Codigo	Nr e ø fori Nr and ø holes Nr et ø trous Nr und ø löcher Nr y ø agujeros	Coltura	Seeds	Cultures	Samen	Semillas	Distanza semina Seeding dist. Dist. de semis Saatabstandes Dist. siembra	Codice Code Code Kodex Codigo	Nr e ø fori Nr and ø holes Nr et ø trous Nr und ø löcher Nr y ø agujeros	Coltura	Seeds	Cultures	Samen	Semillas	Distanza semina Seeding dist. Dist. de semis Saatabstandes Dist. siembra			
22230298	20	0,8 (1)					↓ min.10,4 cm. max. 41,7 cm.	22230290	36	2,5	Pomodoro conf. ø 3,5÷4,5 mm Ginseng	Tomato pilled ø 3,5÷4,5 mm Ginseng	Tomate enrobè ø 3,5÷4,5 mm Ginseng	Tomate pilliert ø 3,5÷4,5 mm Ginseng	Tomate conf. ø 3,5÷4,5 mm Ginseng	max. 23,2 cm.		
22230319	20	1 (1)	Cavolo broccolo	Broccoli	Chou-Broccoli	Brokkoli		Brócoli	22230197	36	3,5	Fagiolino Piselli Soia	Beans (Little) Peas Soyabeans	Haricot (Petit) Pois Soja	Grüne Bohnen Erbsen Soja		Judias verdes Arveja Soja	
22230327	20	1,1 (1)	Cavolo verza	Cabbage,Savoy	Chou de Milan	Wirsing		Col de Milán	22230199	36	4,5	Fagiolo Piselli Favino	Beans Peas -	Haricot Pois -	Bohnen Erbsen -		Poroto Arveja -	
22230320	20	1,5							22230295	36	5,5	Fagiolo	Beans	Haricot	Bohnen		Poroto	
22230294	20	2,1	Zucchini Melone Anguria Cardo	Squash Melon Watermelon -	Courgette Melon Pastèque -	Kürbis Melone Wassermelone -		Calabacín Melón Sandía -	10123760R	36	5,5 (2)	Fagiolo	Beans	Haricot	Bohnen		Poroto	
22230203	20	2,5	Girasole	Sunflower	Tournesol	Sonnenblumen		Girasol	22230304	36	7							
22230192	20	3,5	Cotone Mais (Piccolo)	Cotton Corn (Little)	- Mais (Petit)	Baumwohl Mais (Klein)		- Maiz (Pequeño)	22230321	52	1,5							
22230048	20	4,5	Mais	Corn	Mais	Mais		Maiz	22230328	52	2,1	Barbabietola	Beets	Betteraves	Rüben		Remolacha	
22230047	20	5,5	Mais (Grosso) Ceci Fagiolo borlotto e cannellino Arachidi	Corn (Big) Pulses Beans Peanut	Mais (Gros) - Haricot -	Mais (Grosse) - Bohnen -		Maiz (Grueso) - Poroto -	22230299	52	2,5							
22230205	20	7	Arachidi Lupino	Peanut -	- -	- -		- -	22230316	52	3,5	Fagiolino	Beans (Little)	Haricot (Petit)	Grüne Bohnen		Judias verdes	
10124030R	26	1 (1)					↑ min. 4 cm. max. 16 cm.	22230288	52	4,25	Soia	Soyabeans	Soja	Soja	Soja			
22230253	26	1,5						22230194	72	0,5 (1)	Endivia Lattuga	Endive Lettuce	Chicorée Laitue	Winterendivien Kopfsalat	Escarola Lechuga			
22230296	26	2,1	Zucchini Melone Anguria Cardo	Squash Melon Watermelon -	Courgette Melon Pastèque -	Kürbis Melone Wassermelone -		Calabacín Melón Sandía -	22230195	72	0,8 (1)	Endivia Lattuga Rapa Senape Finocchio Anice	Endive Lettuce Turnip Mustard Fennel	Chicorée Laitue Navet Moutarde Fenouil -	Winterendivien Kopfsalat Speiserüben Senft Fenchel -	Escarola Lechuga Nabo - Hinojo -		
22230289	26	2,5	Girasole	Sunflower	Tournesol	Sonnenblumen		Girasol	22230193	72	1,1 (1)	Pomodoro Rapa Finocchio Colza Panico	Tomato Turnip Fennel Canola -	Tomate Navet Fenouil Colza -	Tomate Speiserüben Fenchel Raps -	Tomate Nabo Hinojo Colza -		
22230249	26	3,5	Cotone Mais (Piccolo)	Cotton Corn (Little)	- Mais (Petit)	Baumwohl Mais (Klein)		- Maiz (Pequeño)	22230257	72	1,5	Spinacio Ravanello Asparagio Pomodoro conf. ø 2,5÷3,5 mm	Spinach Radish Asparagus Tomato pilled ø 2,5÷3,5 mm	Epinard Radis Asperge Tomate enrobè ø 2,5÷3,5 mm	Spinat Radies Spargel Tomate pilliert ø 2,5÷3,5 mm	Espinaca Rabanito Espárrago Tomate conf. ø 2,5÷3,5 mm		
22230050	26	4,5	Mais	Corn	Mais	Mais		Maiz	22230213	72	2,1	Bieta a coste Saggina	Swiss Chard -	Poirée -	Mangold -	Acelga -		
22230303	26	5							10124040R	72	2,5							
22230049	26	5,5	Mais (Grosso) Ceci Fagiolo borlotto e cannellino Arachidi	Corn (Big) - Beans -	Mais (Gros) - Haricot -	Mais (Grosse) - Bohnen -		Maiz (Grueso) - Poroto -	22230198	72	3,5	Fagiolino Soia	Beans (Little) Soyabeans	Haricot (Petit) Soja	Grüne Bohnen Soja	Judias verdes Soja		
22230317	36	1,1 (1)	Pomodoro	Tomato	Tomate	Tomate		Tomate	10124020R	72	4,25	Soia	Soyabeans	Soja	Soja	Soja		
22230196	36	1,5	Lenticchia Cetriolo Pomodoro conf. ø 2,5÷3,5 mm	- Cucumber Tomato pilled ø 2,5÷3,5 mm	- Concombre Tomate enrobè ø 2,5÷3,5 mm	- Gurke Tomate pilliert ø 2,5÷3,5 mm		- Pepino Tomate conf. ø 2,5÷3,5 mm	22230256	72	4,5							
22230051	36	2,1	Barbabietola Zucchini Melone Anguria Cardo Sorgo Sesamo	Beets Squash Melon Watermelon - Sorghum -	Betteraves Courgette Melon Pastèque - Sorgo -	Rüben Kürbis Melone Wassermelone - Hirse -	Remolacha Calabacín Melón Sandía - Sorgo -											
							min. 5,8 cm.											



TELAIO ELEMENTO SEMINATORE

TAV. 070

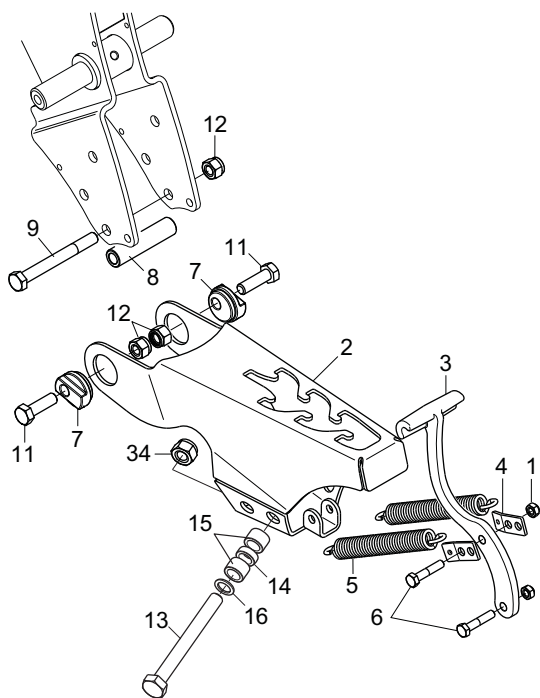
Pos.	Cod.	Descrizione	Description	Description	Benennung	Descripcion
1	GA5221012	PIASTRA FRONTALE Q.180				
2	F01020252	VITE M16X2X50 U5737 8.8 ZN	BOLT M16X 2X 50 U5737 8.8 ZN	VIS M16X 2X 50 U5737 8.8 ZN	SCHRAUBE M16X2X50 U5737 8.8 ZN	TORNILLO M16X2X50 U5737 8.8 ZN
3	G17722000	BOCCOLA SINTERIZZ.16,25X28X13	SINTERED BUSHING			
4	F01230085	DADO M16X 2 D982 8 ZN	NUT M16X 2 D982 8 ZN	ECROU M16X 2 D982 8 ZN	MUTTER M16X 2 D982 8 ZN	TUERCA M16X 2 D982 8 ZN
5	F01020440	VITE M 8X1,25X25 U5739 8.8 ZN	BOLT M8X1,25X25 U5739 8.8 ZN	VIS M8X1,25X25 U5739 8.8 ZN	SCHRA. M8X1,25X25 U5739 8.8 ZN	TORNIL.M8X1,25X25 U5739 8.8 ZN
6	F01200232	DADO M 6X 1 U5588 6.8 ZN	NUT 6 UNI 5588 6.8 GALVANIZED	ECROU 6 UNI 5588 6.8 ZN	MUTTER 6 UNI 5588 6.8 ZN	TUERCA 6 UNI 5588 6.8 ZN
7	F01020260	VITE M16X2X70 U5737 8.8 ZN	BOLT M16X2X70 U5737 8.8 ZN	VIS M16X2X70 U5737 8.8 ZN	SCHRAUBE M16X2X70 U5737 8.8 ZN	TORNILLO M16X2X70 U5737 8.8 ZN
8	F01020389	VIT.M16X 2X260 U5737 8.8				
9	F01200244	DADO M 8X1,25 U5588 6.8 ZN	NUT M8 X1,25 U5588 6.8 ZN	ECROU M8 X1,25 U5588 6.8 ZN	MUTTER M8 X1,25 U5588 6.8 ZN	TUERCA M8 X1,25 U5588 6.8 ZN
10	G17714320	SCONTRO A U SP.10 2F16,5 197				
11	F01410100	ROS.M16 17X 30X 3 U6592 ZN	WASHER M16 17X30X3 U6592 ZN	RONDELLE M16 17X30X3 U6592 ZN	SCHIEBE M16 17X30X3 U6592 ZN	ARANDELA M16 17X30X3 U6592 ZN
12	G17740010	BILANCIERE REGINA COMPL	ROCKER REGINA	BALANCIER REGINA	KIPPHEBEL REGINA	ARANDELA M16 17X30X3 U6592 ZN
13	G17720291	BILANCIERE	EQUALIZER			BALANCN REGINA
14	F01020286	VITE M16X2X220 U5737 10.9 ZD	BOLT 16X220 5737 10.9 GALVANIZ	VIS 16X220 5737 10.9 ZN	SCHRAUBE 16X220 5737 10.9 ZN	TORNILLO 16X220 5737 10.9 ZN
15	G22230063	ELEMENTO ARTICOLATO	ARTICULATED ELEMENT	ELEMENT ARTICULE	GELENKELEMENT	ELEMENTO ARTICULADO
16	G18903780	MOLLA TORSIONE GANCIO SUP.	UPPER HOOK TORSION SPRING			
17	F01020436	VITE M 8X1,25X 20 U5739 8.8 ZN	BOLT M8X1,25X20 U5739 8.8 ZN	VIS M8X1,25X20 U5739 8.8 ZN	SCHRA. M8X1,25X20 U5739 8.8 ZN	TORN. M8X1,25X20 U5739 8.8 ZN
18	F01420048	ROS.M8 8,4X 24X 2 U6593 ZN	WASHER M8 8,4X 24X 2 U6593 ZN	RONDELLE M8 8,4X 24X2 U6593 ZN	SCHIEBE M8 8,4X 24X 2 U6593 ZN	ARANDELA M8 8,4X 24X2 U6593 ZN
19	F01020416	VITE M 6X 1X 55 U5739 8.8 ZN	BOLT M6X 1X 55 U5739 8.8 ZN	VIS 6 X55 5739 8.G ZN	SCHRAUBE 6 X55 5739 8.G ZN	TORNILLO 6X55 5739 8.G ZN
20	G17722713	PIATTO DX				
21	G15226570	VITE REGOLAZIONE M16 X 225 ZN	ADJUSTING BOLT - GALVANIZED	VIS RÉGLAGE ZN	STELLSCHRAUBE ZN	TORNILLO REGULACIÓN ZN
22	G18701820	RONDELLA 16,5 X25 X1,0 ZN	WASHER 16,5X25X1,0 ZN			
23	F01210035	DADO M16X 2 U5594 5.8 ZN	NUT M16X 2 U5594 5.8 ZN			
24	F02200164	COPIGLIA 3X 30 U1336 ZN	SPLIT PIN 3X 30 U1336 ZN			
25	GA5220012	CORPO CENTRALE MTR				
26	G17722800	PERNO 15 X 63 ZN	PIN ZN			
27	F02050034	ANELLO E. DE 15X 1 U7435 C70	ELASTIC RING DE 15X 1	BAGUE ELASTIQUE DE 15X 1	RING DE 15X 1	ANILLO DE 15X 1
28	G17722510	ASS.VITE TENSIONAMENTO ZN				
29	G22270235	MANIGLIA REGOLAZIONE B4	ADJUSTMENT HANDLE B4	POIGNEE REGLAGE B4	EINSTELLGRIFF B4	MANIJA REGULACIN B4 M
30	G18803230	BOCCOLA 15 X22 X16 ZN	BUSHING 15 X22 X16 GALVA	BOITE 15 X22 X16 ZN	BsCHSE 15 X22 X16 ZN	CASQUILLO 15 X22 X16 ZN
31	F01020112	VITE M10X1,5X45 U5737 8.8 ZN	BOLT M10X1,5X45 U5737 8.8 ZN	VIS M 10X45	SCHRAUBE M 10X45	TORNILLO M 10X45
32	F02100109	SPINA E.P. 6X 24 U6873 C70 BR	PIN EL. .6 X24 DIN 1481	FICHE EL. 6 X24 DIN 1481	SPANNSTIFT 6 X24 DIN 1481	CLAVIJA EL.6 X24 DIN 1481
33	G18903741	MOLLA FERMO MANIGL.MAGICA>2004	HANDLE STOP SPRING MAGICA 2004	RESSORT ARRET POIG.MAGICA 2004	FEDER GRIFFSPERRE MAGICA 2004	MUELLE BLOQUEO MAN. MAGICA 04
34	F02100126	SPINA E.P. 6X 60 U6873 C70 BR	PIN E.D. 6X60 U6873 C70 BR	FICHE E.D. 6X60 U6873 C70 BR	BOLTZEN E.D. 6X60 U6873 C70 BR	CLAVIJA E.D. 6X60 U6873 C70 BR
35	F05100193	CAPPUCCIO 5,95X19,05 GIALLO	CAP	BOUCHON	DECKEL	CORCHO
36	GA5220153	PARALLELO INFERIORE	LOWER PARALLEL ARM			
37	F02250684	INSERTO FIL.M 6X17,5 ZN T.TOND				
38	G18903140	MOLLA GUIDATUBO	PIPE GUIDE SUPPORT	RESSORT GUIDE-TUBE	FEDER ROHRFSHRUNG	MUELLE GUA TUBOS A
39	GA5220260	BLOCCO AGGANCIAMENTO ELEMENTO				
40	G19705280	TARGHETTA REG.SX RUOTE PROFOND	PLATE	PLAQUET	PLATTE	PLACA
41	G19705290	TARGHETTA REG.DX RUOTE PROFOND	PLATE	PLAQUET	PLATTE	PLACA
42	F01200270	DADO M10X 1,5 U5588 6.8 ZN	NUT M10X 1,5 U5588 6.8 ZN	ECROU M10X 1,5 U5588 6.8 ZN	MUTTER M10X 1,5 U5588 6.8 ZN	TUERCA M10X 1,5 U5588 6.8 ZN
43	F02250066	RIVETTO STR. 3X 9 U9200A AL	POP RIVET 3X9 ALUMINIUM	RIVET 3 X 9 ALL	REISSNIETE 3 X 9 ALU	REMACHE DESGAR. 3 X 9 AL
44	GA5220201	PARALLELO SUPERIORE				
45	F01020397	VITE M6X1X10 U5739 8.8 ZN	BOLT M 6X 1X 10 U5739 8.8 ZN	VIS 6X10 5739 8.G ZN	SCHRAUBE 6X10 5739 8.G ZN	TORNILLO 6X10 5739 8.G ZN
46	F01430023	ROS.M10 10,5X 18X0,9 U8842J ZN	WASHER D10 DIN 6798 D.INT.ZN	RONDELLE D10 DIN 6798 D. INT.	UNT. SCHEIBE D10 DIN 6798 D.IN	ARANDELA D10 DIN 6798 D.INT.ZN
47	F01200324	DADO M16X 2 U5588 6.8 ZN	NUT M16X2 U5588 6.8 ZN	ECROU M16X2 U5588 6.8 ZN	MUTTER M16X2 U5588 6.8 ZN	TUERCA M16X2 U5588 6.8 ZN
48	GA5221250	INDICE ASTA GRADUATA ZN				
49	G19204620	ASTA GRADUATA MOLLA REG.MTR ZN				
50	F01020521	VITE M12X1,75X65 U5739 8.8 ZN	BOLT M12X1.75X65 U5739 8.8 ZN	VIS M 12 X65 5739 8.G ZN	SCHRAUBE M 12 X65 5739 8.G ZN	TORNILLO M 12 X65 5739 8.G ZN
51	F01230059	DADO M12X1,75 D982 8 ZN	NUT M12X1,75 D982 8 ZN	ECROU M12X1,75 D982 8 ZN	MUTTER M12X1,75 D982 8 ZN	TUERCA M12X1,75 D982 8 ZN
52	F01410076	ROS.M12 13X 24X2,5 U6592 ZN	WASHER D12 U6592 ZN	RONDELLE D12 U6592 ZN	SCHIEBE D12 U6592 ZN	ARANDELA D12 U6592 ZN
53	G20980082	BOCCOLA 18X7X12,25	BUSHING 18X7X12-25	BOITE 18X7X12-25	BsCHSE 18X7X12-25	CASQUILLO 18X7X12-25
54	G18801340	BOCCOLA 12,25X16 X14	BUSHING 12,25X16 X14	BOITE 12,25X16 X14	B_CHSE 12,25X16 X14	CASQUILLO 12,25X16 X14
55	GA5220820	MOLLA REGOLABILE MTR				
56	G17740020	VITE M16 SPECIALE BILANCIERE				
57	F01020406	VITE M6X1X25 U5739 8.8 ZN	BOLT M6X 1X 25 U5739 8.8 ZN	VIS M6X25	SCHRAUBE M 6X25	TORNILLO M 6X25
58	F01220011	DADO M 6X 1 D980 8 ZN	NUT M6X1 D980 8 ZN	ECROU M6X1 D980 8 ZN	MUTTER M6X1 D980 8 ZN	TUERCA M6X1 D980 8 ZN
59	G19002700	PROTEZIONE FOTOCELLULA >	PHOTOCELL PROTECTION	PROTECT CAPT PHOTOC SP3-MT-MG>	SCHUTZ PHOTOZELLE	PROTECCIN FOTOCLULA PR
60	F01020422	VITE M6X1X60 U5739 8.8 ZN	BOLT M6X1 X 60 U5739 8.8 ZN	VIS M6 X1 X 60 U5739 8.8	SCHRAUBE M6 X1 X 60 U5739 8.	TORNIL. M6 X1 X 60 U5739 8.8
61	GA5221460	CONVOGLIATORE SEME MTR				
62	F02100109	SPINA E.P. 6X 24 U6873 C70 BR	PIN EL. .6 X24 DIN 1481	FICHE EL. 6 X24 DIN 1481	SPANNSTIFT 6 X24 DIN 1481	CLAVIJA EL.6 X24 DIN 1481
63	G15226550	SPINA ZN	PIN ZN			
64	F02050112	ANELLO E. DE 30X 1.5 U7435 C70	SEEGER RING 30X 1,5 U7435 C70	SEEGER E. 30 X 1,5 U7435 C70	SEEGERING E. 30X 1,5 U7435 C70	ANILLO E. 30 X 1,5 U7435 C70



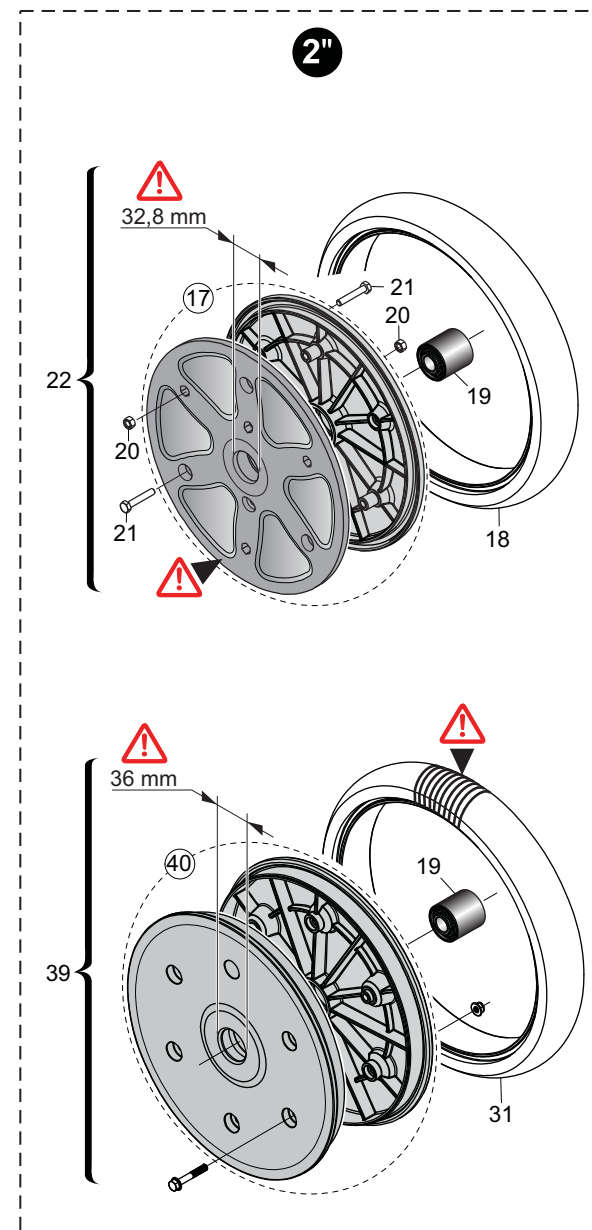
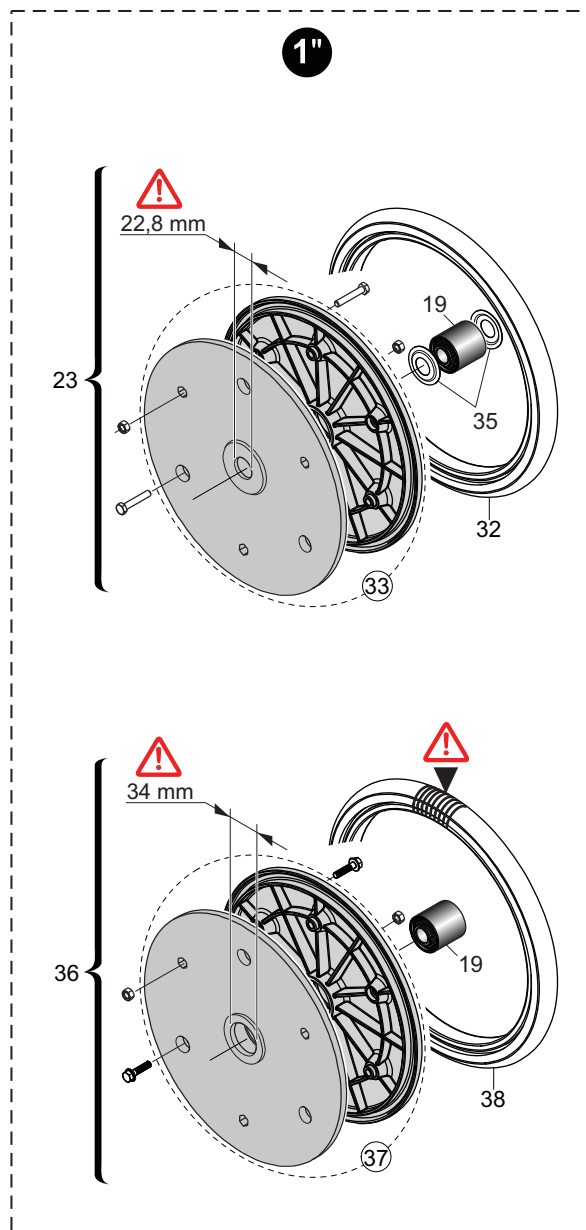
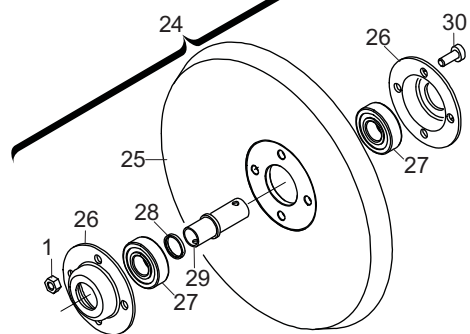
RUOTE DI PROFONDITÀ

TAV. 080

Pos.	Cod.	Descrizione	Description	Description	Benennung	Descripcion
1	G17722471	DISCO ASSOLCATORE D.420	DISC D.420			
2	G17722492	SUPPORTO CUSCINETTO DISCO ZN	BEARING DISK SUPPORT ZN			
3	F04010094	CUSC.d20 D52 B22,2 3304 LLU	BEAR.D20 D52 B22,2 3304 LLU			
4	G17722482	BOCCOLA 20 X30 X12,3	BUSHING	BOITE	BsCHSE	CASQUILLO
5	F02250521	RIBATTINO TSC 6 X19,8 A/2	RIVET TSC 6X19,8 A/2 BY PIECE	PAQUET RIVETS TSC 6X 19,8 A/2	PACKUNG NIETEN TSC 6X19,8 A/2	PAQU.REMACHES TSC 6X 19,8 A/2
6	F02050381	ANELLO E. DI 52X 2 U7437 C70	SEEGER RING E. 52X 2 U7437 C70	SEEGER E. 52X 2 U7437 C70	SEEGERING E. 52X 2 U7437 C70	ANILLO 52X 2 U7437 C70
7	F03011159	AN. TENUTA 30X47X7 AS	SEALING RING 30X47X7	BAGUE D'ETANCHEITE 30X47X7	DICHTUNGSRING 30X47X7	ANILLO AISLADOR 30X47X7
8	G17722811	DADO M20X 2,5 SINISTRO ZN.				
9	F01200468	DADO M20X 2,5 U5589 6.8 ZN	NUT 20 5589 6.8 GALVANISED *	ECROU 20 5589 5.8 ZN *	MUTTER 20 5589 6.8 ZN *	TUERCA 20 5589 6.8 ZN
10	G19203943	TAGLIENTE INT.DISCHI	INTERNAL DISK COULTER			
11	F02100106	SPINA E.P. 6X 20 U6873 C70 BR	ELASTIC PIN 6X20	GOUJON 6X 20	BOLZEN 6X 20	ESPINA 6X 20
12	GA5220050	ASS.RASCHIATERRA VIDIA SX	ASS.SOIL-SCRAPER VIDIA LEFT			
13	GA5220310	ASS.RASCHIATERRA VIDIA DX	ASS.SOIL-SCRAPER VIDIA RIGHT			
14	G15225861	PROTEZIONE DISCHI				
15	G17722612	MONT.DISCO ASSOLCATORE	RIDGING DISC ASSEMBLY			
16	F01020472	VITE M10X1,5X25 U5739 8.8 ZN	BOLT 10X25 5739 8.8 GALVANIZED	VIS 10X25 5739 8.G ZN	SCHRAUBE 10X25 5739 8.G ZN	TORNILLO 10X25 5739 8.G ZN
17	F01220033	DADO M10X 1,5 D980 8 ZN	NUT M10X 1,5 D980 8 ZN	ECROU M10X 1,5 D980 8 ZN	MUTTER M10X 1,5 D980 8 ZN	TUERCA M10X 1,5 D980 8 ZN
18	GA5220270	BRACCIO RUOTA SX	LEFT WHEEL ARM			
19	GA5220250	BRACCIO RUOTA DX	ARM WHEEL RIGHT			
20	G17722830	BOCCOLA ELEM.REGINA SINTERIZ.	REGINA ELEMENT SINTERED BUSHIN			
21	F01100011	ING.M 6X1 7663-A 9SMNPB28 ZN	GREASE NIPPLE M6X1 7663-A ZN	GRAISS. A BILLE M6X1 7663A ZN	SCHMIERBUECHE M6X1 7663-A ZN	ENGRAS. DE ESFERAS M6X1 7663-A
22	G17723000	RASCHIATERRA DX	RIGHT SOILSCRAPER			
23	G17723080	RASCHIATERRA SX	LEFT SOILSCRAPER			
24	G20970100	RONDELLA 30X0,5X22 ACC.	WASHER 30X0-5X22 ACC.	RONDELLE 30X0-5X22 ACIER	UNTERLEGSSCHEIBE 30X0-5X22 ACC.	ARANDELA 30X0-5X22 ACC.
25	G20970025	RONDELLA 25,2X2X16,5	WASHER 25-2X2X16-5	RONDELLE 25-2X2X16-5	UNTERLEGSSCHEIBE 25-2X2X16-5	ARANDELA 25-2X2X16-5
26	GA5220170	VITE M16X 2X80 SX U5737 8.8 ZN	BOLT M16X2X 80 LH U5737 8.8	VIS M16X2X 80 GCH U5737 8.8	SCHRAUBE M16X2X 80 LINKS U5737	TORNILLO M16X2X 80 IZQ U5737 8
27	G20970085	RONDELLA 40X4X13	WASHER 40X4X13	RONDELLE 40X4X13	UNTERLEGSSCHEIBE 40X4X13	ARANDELA 40X4X13
28	F05050022	TAPPO PROTEZIONE D.58 H.16,5 >	GUARD CAP D.58 H.16,5 >			
29	G18701880	RONDELLA DI SPINTA	IMPULSE WASHER	RONDELLE	UNTERLEGSSCHEIBE	ARANDELA
30	F01020047	VITE M6X1X70 U5737 8.8 ZN	BOLT M6X 1X70 U5737 8.8 ZN	VIS 6 X70 5737 8.G ZN	SCHRAUBE 6 X70 5737 8.G ZN	TORNILLO 6 X70 5737 8.G ZN
31	GA5220960	RASCHIATERRA SX L.65	LEFT SOILSCRAPER L.65			
32	F01410124	ROS.M20 21X 37X 3 U6592 ZN	WASHER M20 21X37X3 U6592 ZN	RONDELLE M20 21X37X3 U6592 ZN	SCHEIBE M20 21X37X3 U6592 ZN	ARANDELA M20 21X37X3 U6592 ZN
33	F01230022	DADO M 6X 1 D982 8 ZN	NORM.SELF-LOCKING NUT 6 GALVAN	ECROU AUTOB.NOR.6 ZN	SELBSTSP. MUTTER NOR.6 ZN	TUERCA AUTOB. NOR. 6 ZN
34	G18904540	MOLLA TRAZIONE ZN	SPRING TENSION ZN			
35	F01060040	VITE M8X1,25X20 U5732 4.6 ZG	BOLT M8X1,25X20 U5732 4.6 ZN	VIS M8X1,25X20 U5732 4.6 ZN	SCHRA. M8X1,25X20 U5732 4.6 ZN	TORN. M8X1,25X20 U5732 4.6 ZN
36	GA5220970	RASCHIATERRA DX L.65	RIGHT SOILSCRAPER L.65			
37	F06120406	RUOTA PROF.TAMB.MTR L115 M	DEPTH GAUGE WHEEL SM.CR.OFFS M			
38	F06120188	COPERTURA RUOTA PROF.L115 M	WHEEL COVER PROF.L115 M			
39	F04100150	CUSC.D16 D40 B39 WPS	BEARING D16 D40 B39 WPS			
40	F01410051	ROS.M8 8,4X 17X1,6 U6592 ZN	WASHER M8 8,4X17X1,6 U6592 ZN	RONDEL. M8 8,4X17X1,6 U6592 ZN	SCHEIBE M8 8,4X17X1,6 U6592 ZN	ARANDELA M8 8,4X17X1,6 U6592ZN
41	F01200244	DADO M 8X1,25 U5588 6.8 ZN	NUT M8 X1,25 U5588 6.8 ZN	ECROU M8 X1,25 U5588 6.8 ZN	MUTTER M8 X1,25 U5588 6.8 ZN	TUERCA M8 X1,25 U5588 6.8 ZN
42	F01230034	DADO M 8X1,25 D982 8	SELF LOCK.NUT M8X1,25 D982 8ZN	ECROU AUTOBL.M8X1,25 D982 8 ZN	SELBST.MUTT.M8X1,25 D982 8 ZN	TUERCA AUTO. M8X1,25 D982 8 ZN
43	F01020510	VITE M12X1,75X30 U5739 8.8 ZN	SPLT M 12X30	VIS M 12X30	SCHRAUBE M 12X30	TORNILLO M 12X30
44	F01410051	ROS.M8 8,4X 17X1,6 U6592 ZN	WASHER M8 8,4X17X1,6 U6592 ZN	RONDEL. M8 8,4X17X1,6 U6592 ZN	SCHEIBE M8 8,4X17X1,6 U6592 ZN	ARANDELA M8 8,4X17X1,6 U6592ZN
45	F01020440	VITE M 8X1,25X25 U5739 8.8 ZN	BOLT M8X1,25X25 U5739 8.8 ZN	VIS M8X1,25X25 U5739 8.8 ZN	SCHRA. M8X1,25X25 U5739 8.8 ZN	TORNIL.M8X1,25X25 U5739 8.8 ZN
46	F01020070	VITE M 8X1,25X45 U5737 8.8 ZN	BOLT M8X1,25X45 U5737 8.8 ZN	VIS 8 X45 5737 8.G ZN	SCHRAUBE 8 X45 5737 8.G ZN	TORNILLO 8 X45 5737 8.G ZN
47	F06120189	COPERTURA RUOTA PROF.L65 M	TYRE FARMFLEX 400X65	COUVERTURE FARMFLEX 400X65	MANTEL FARMFLEX 400X65	CUBIERTA FARMFLEX 400X65
48	F06120410	RUOTA PROF.TAMB.MTR L65 M	DEPTH GAUGE WHEEL SM.CR.MT L65			
49	F01020436	VITE M 8X1,25X 20 U5739 8.8 ZN	BOLT M8X1,25X20 U5739 8.8 ZN	VIS M8X1,25X20 U5739 8.8 ZN	SCHRA. M8X1,25X20 U5739 8.8 ZN	TORN. M8X1,25X20 U5739 8.8 ZN
50	GA5221160	RASCHIATERRA INT.SX	LEFT INNER SOILSCRAPER			
51	GA5221180	RASCHIATERRA INT.DX	RIGHT INNER SOILSCRAPER			
52	F01440086	ROS. 23X40X0,5 D988 ST2K60 BR				
53	F06120250	RUOTA PROF.TAMB.MTR L115 U				
54	F06120251	COPPIA CERCHI RUOTA TAMB.L115U				
55	F01020262	VITE M16X2X80 U5737 8.8 ZN	BOLT M16X2X80 U5737 8.8 ZN	VIS M16X2X80 U5737 8.8 ZN	SCHRAUBE M16X2X80 U5737 8.8 ZN	TORNILLO M16X2X80 U5737 8.8 ZN
56	F06120419	COPPIA CERCHI RUOTA TAMB.L115M				
57	F06120418	COPPIA CERCHI RUOTA F06120410				
58	F06120252	COPERTURA RUOTA PROF.L115 U				
59	F06120253	RUOTA PROF.TAMB.MTR L80 U	WHEEL PROF.TAMB.MTR L80 U			
60	F06120254	COPPIA CERCHI RUOTA TAMB.L80 U				
61	F06120255	COPERTURA RUOTA PROF.L80 U				



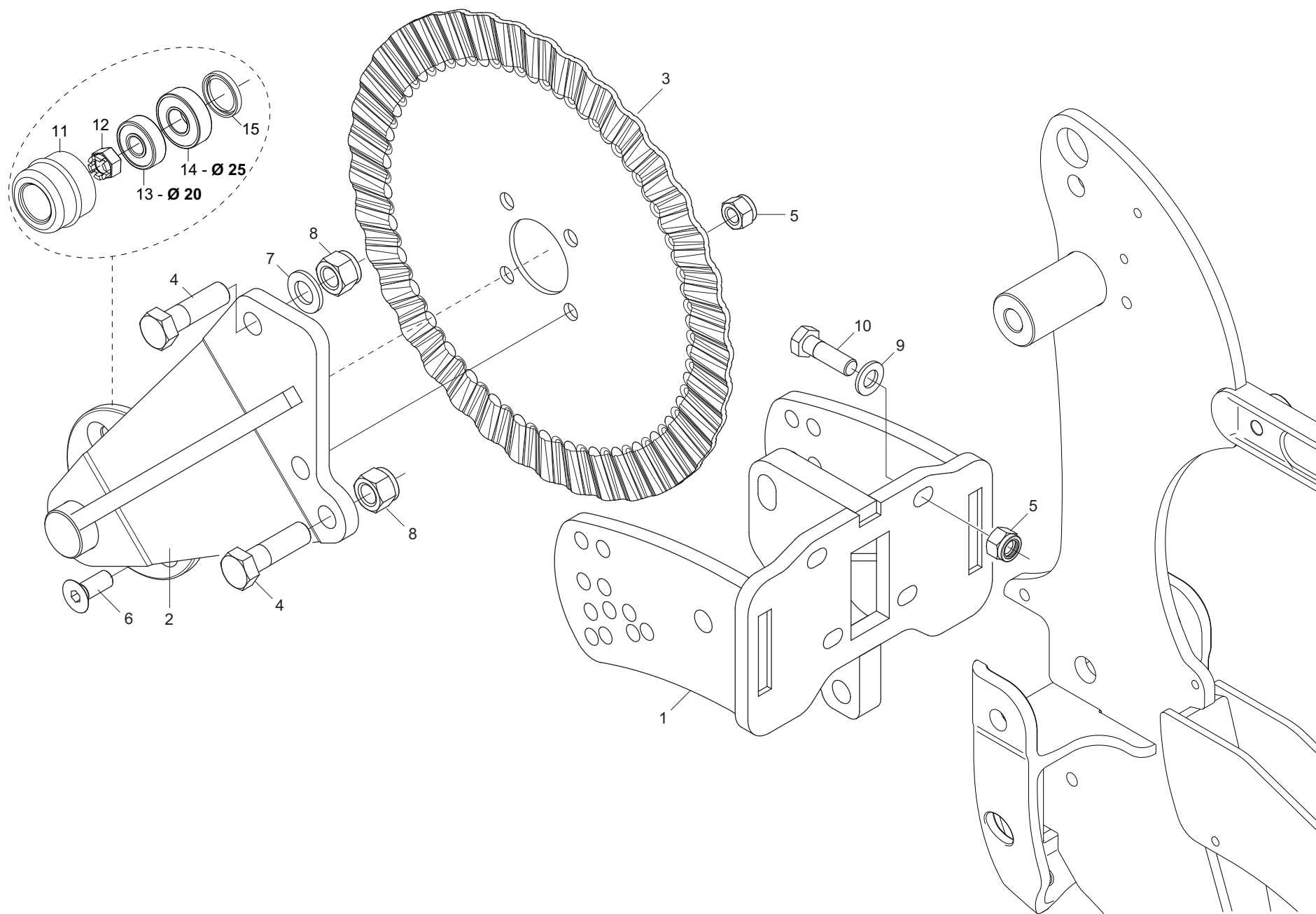
CAST IRON PRESS WHEEL



RUOTE POSTERIORI DI COPERTURA

TAV. 090

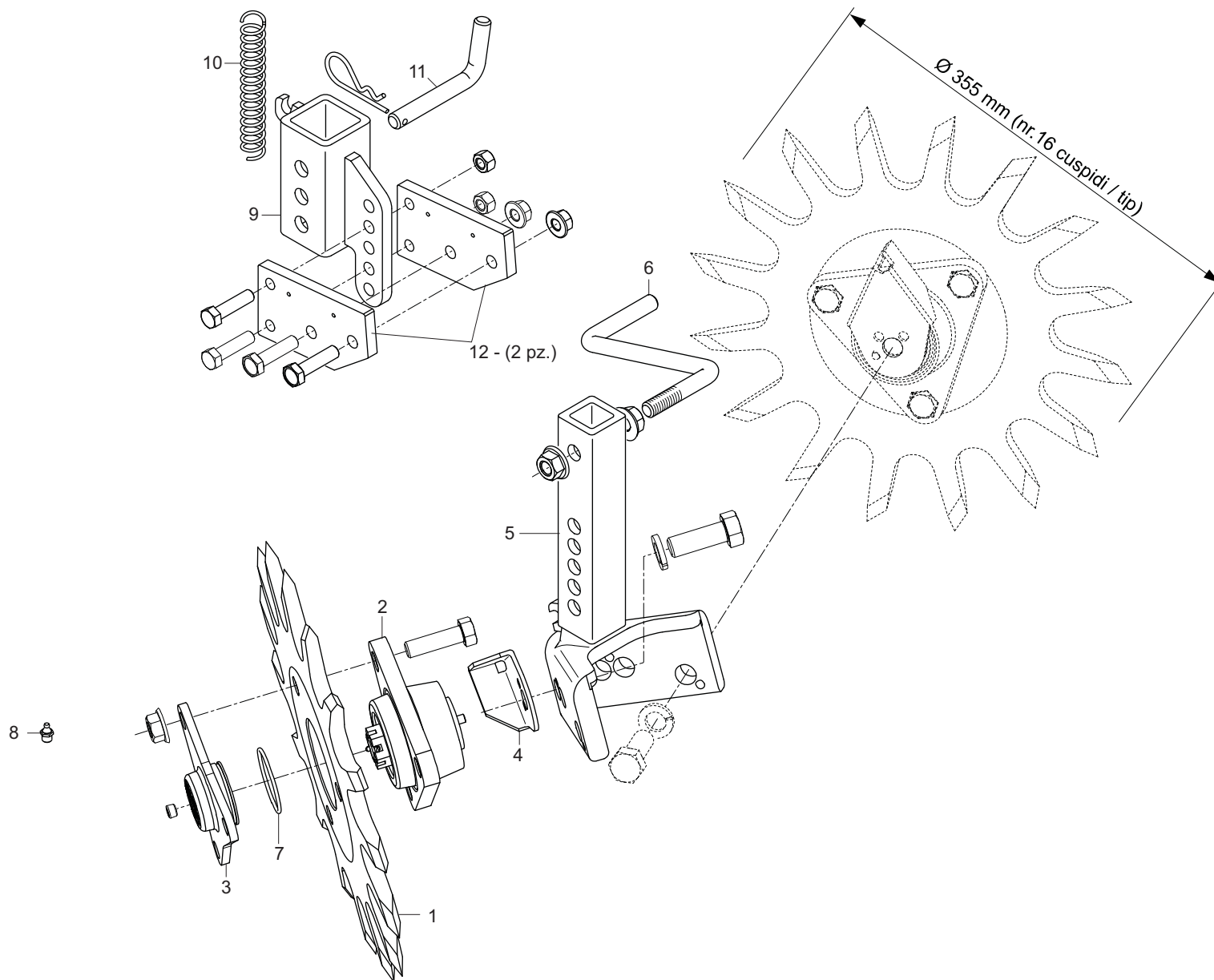
Pos.	Cod.	Descrizione	Description	Description	Benennung	Descripcion
1	F01220022	DADO M 8X1,25 D980 8 ZN	NUT M8X 1,25 D980 8 ZN	ECROU M8X 1,25 D980 8 ZN	MUTTER M8X 1,25 D980 8 ZN	TUERCA M8X 1,25 D980 8 ZN
2	GA5220401	CODINO				
3	GA5220420	MANIGLIA CODINO				
4	G17722340	ATTACCO MOLLA.ZN.				
5	G18904560	MOLLA	SPRING			
6	F01020068	VITE M 8X1,25X40 U5737 8.8 ZN	BOLT M8X1,25X40 U5737 8.8 ZN	VIS M 8X1,25X40 U5737 8.8 ZN	SCHRA. M8X1,25X40 U5737 8.8 ZN	TORNIL.M8X1,25X40 U5737 8.8 ZN
7	GA5220410	BOCCOLA ECCENTRICA	BUSHING			
8	G18803081	BOCCOLA 12,25X20 X85 ZN	BUSHING 12,25X20 X84 GALVA	BOITE 12,25X20 X84 ZN	BsCHSE 12,25X20 X84 ZN	CASQUILLO 12,25X20 X84 ZN
9	F01020174	VITE M12X1,75X120 5737 8.8 ZN	SCREW M12X1,75X120 5737 8.8 ZN	VIS M12X1,75X120 U5737 8.8 ZN	SCHR.M12X1,75X120 U5737 8.8 ZN	TORN.M12X1,75X120 U5737 8.8 ZN
10	F01020508	VITE M12X1,75X25 U5739 8.8 ZN	BOLT M12X1,75X25 U5739 8.8 ZN	VIS M12X1,75X25 U5739 8.8 ZN	SCHR. M12X1,75X25 U5739 8.8 ZN	TORN. M12X1,75X25 U5739 8.8 ZN
11	F01020152	VITE M12X1,75X 40 5737 8.8 ZN	BOLT M12X1,75X40 U5737 8.8 ZN	VIS M12X1,75X 40 U5737 8.8 ZN	SCHR.M12X1,75X 40 U5737 8.8 ZN	TORN.M12X1,75X 40 U5737 8.8 ZN
12	F01230059	DADO M12X1,75 D982 8 ZN	NUT M12X1,75 D982 8 ZN	ECROU M12X1,75 D982 8 ZN	MUTTER M12X1,75 D982 8 ZN	TUERCA M12X1,75 D982 8 ZN
13	F01020266	VITE M16X2X120 U5737 8.8 ZN				
14	G20980081	BOCCOLA 25X12X16,25	BUSHING 25X12X16-25	BOITE 25X12X16-25	BsCHSE 25X12X16-25	CASQUILLO 25X12X16-25
15	G20980014	BOCCOLA 16,5X16,5X25	BUSHING 16-5X16-5X25	BOITE 16-5X16-5X25	BsCHSE 16-5X16-5X25	CASQUILLO 16-5X16-5X25
16	G20970025	RONDELLA 25,2X2X16,5	WASHER 25-2X2X16-5	RONDELLE 25-2X2X16-5	UNTERLEGSCHIEBE 25-2X2X16-5	ARANDELA 25-2X2X16-5
17	G19006290	COPPIA CERCHI RUOTA 2" MTR R				
18	G19006280	ANELLO GOMMA 2"X13" R				
19	F04100150	CUSC.D16 D40 B39 WPS	BEARING D16 D40 B39 WPS			
20	F01200232	DADO M 6X 1 U5588 6.8 ZN	NUT 6 UNI 5588 6.8 GALVANIZED	ECROU 6 UNI 5588 6.8 ZN	MUTTER 6 UNI 5588 6.8 ZN	TUERCA 6 UNI 5588 6.8 ZN
21	F01020039	VITE M6X1X35 U5737 8.8 ZN	BOLT M6X1 X35 5737 8.8 ZN	VIS 6 X35 5737 8.G ZN	SCHRAUBE 6 X35 5737 8.G ZN	TORNILLO 6 X35 5737 8.G ZN
22	F06120408	RUOTA GOMMA 2"X13" WPS R				
23	F06120412	RUOTA GOMMA 1"X12" WPS C				
24	G15224790	RUOTA GHISA POST.COMPL.	RUBB.WHEEL1'X12'BEARINGK098	ROUE FONTE ARRI+RE COMPL+TE	HINTERES GUSSEISENRAD KOMPL.	RUEDA FUNDICIÉN TRAS.COMPL.
25	G15224800	RUOTA POSTERIORE GS	REAR WHEEL	ROUE ARRIERE	HINTERRAD	RUEDA TRASERO
26	G16242190	SUPPORTO CUSCINETTO	BEARING SUPPORT	SUPPORT PALIER	LAGERBsCHSE	SOPORTE COJINETE
27	F04010156	CUSC.d20 D47 B14 6204 2RSH	BEARING d20 D47 B14 6204 2RSH			
28	G15224810	BOCCOLA 20,5X25X3	BUSH 20.5X25X3	DOUILLE 20,5X25X3	BUCHSE 20,5X25X3	MANGUITO 20,5X25X3
29	G15423850	BOCCOLA RUOTA FERRO	STEEL WHEEL BUSH	DOUILLE ROUE FER	BÜCHSE EISENRAD	BUJE RUEDA DE HIERRO
30	F01040091	VITE M 8X1,25X20 U5931 8.8 ZN	BOLT 8 X20 5931 8.G ZN	VIS 8 X20 5931 8.G ZN	SCHRAUBE 8 X20 5931 8.G ZN	TORNILLO 8 X20 5931 8.G ZN
31	F06120261	ANELLO GOMMA 2"X13" U				
32	F06120181	ANELLO GOMMA 1"X12" M	RUBBER RING 1X12'	COUVERT FARMF ROUE COMPR 1"X12	MANTEL FARMF.R.DRUCK .MT	CUBIERTA FARMF. R. COMPR. MT
33	F06120420	COPPIA CERCHI RUOTA 1" MTR C				
34	F01230085	DADO M16X 2 D982 8 ZN	NUT M16X 2 D982 8 ZN	ECROU M16X 2 D982 8 ZN	MUTTER M16X 2 D982 8 ZN	TUERCA M16X 2 D982 8 ZN
35	F01440086	ROS. 23X40X0,5 D988 ST2K60 BR				
36	F06120256	RUOTA GOMMA 1"X12" WPS U				
37	F06120257	COPPIA CERCHI RUOTA 1" MTR U				
38	F06120258	ANELLO GOMMA 1"X12" U				
39	F06120259	RUOTA GOMMA 2"X13" WPS U	RUBBER WHEEL 2"X13" WPS			
40	F06120260	COPPIA CERCHI RUOTA 2" MTR U				



COLTRO A DISCO STRIATO

TAV. 100

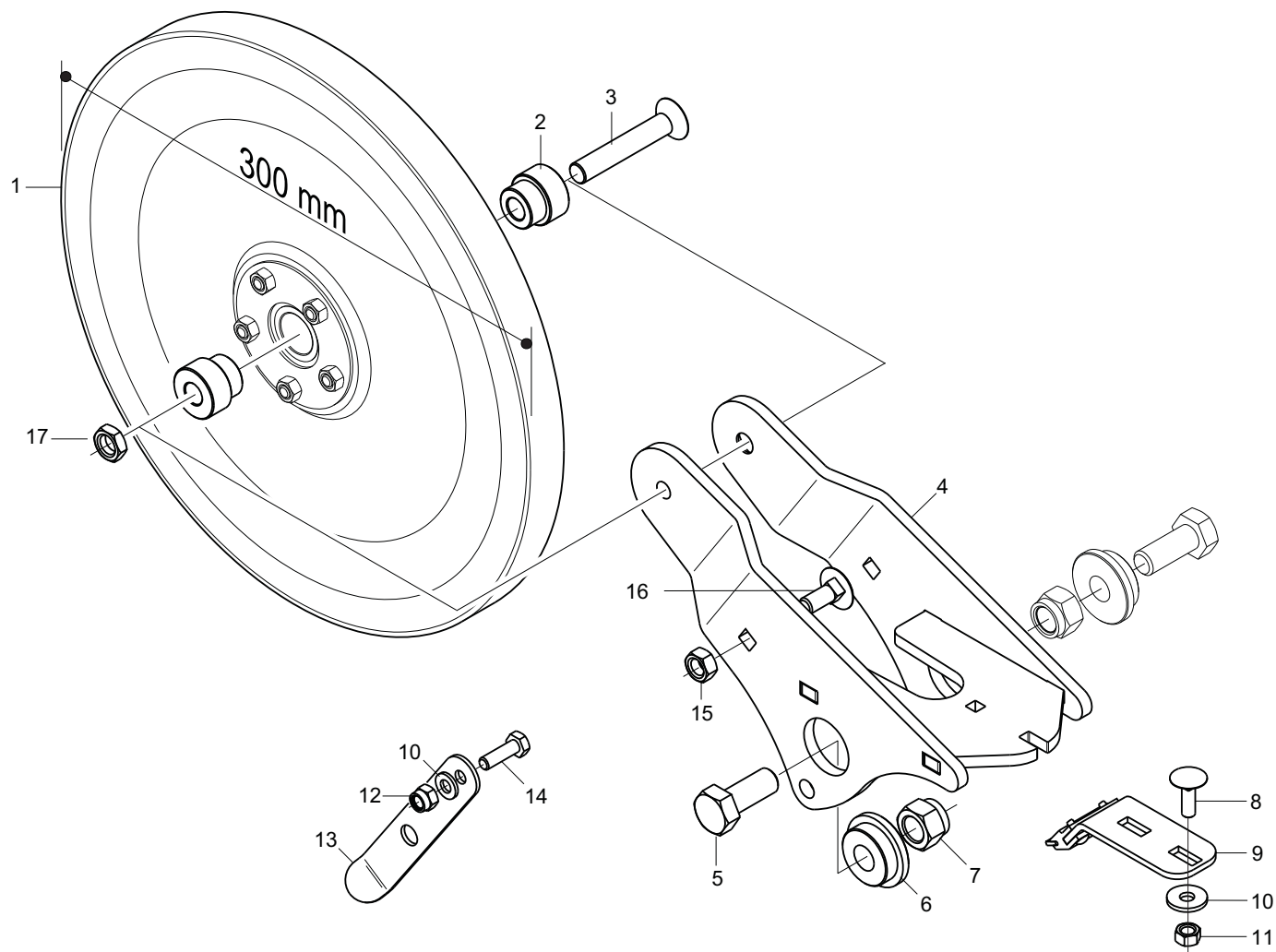
Pos.	Cod.	Descrizione	Description	Description	Benennung	Descripcion
1	GA5220650	SUPPORTO SPARTIRESIDUI				
2	GA5220660	BRACCIO DISCO APRI SOLCO	FURROWER DISC ARM	BRAS DISQUE OUVRE-TRACES	SCHEIBENARM SCHAR	BRAZO DISCO AB.SURC.
3	GA5220130	DISCO STRIATO D.355				
4	F01020254	VITE M16X2X55 U5737 10.9 ZD				
5	F01230059	DADO M12X1,75 D982 8 ZN	NUT M12X1,75 D982 8 ZN	ECROU M12X1,75 D982 8 ZN	MUTTER M12X1,75 D982 8 ZN	TUERCA M12X1,75 D982 8 ZN
6	F01030107	VITE M12X1,75X30 U5933 10.9 ZD	BOLT M12X1,75X30 5933 10.9 ZN	VIS M12X1,75X30 5933 10.9 ZN	SCHR.M12X1,75X30 U5933 10.9 ZN	TORN.M12X1,75X30 5933 10.9 ZN
7	F01410100	ROS.M16 17X 30X 3 U6592 ZN	WASHER M16 17X30X3 U6592 ZN	RONDELLE M16 17X30X3 U6592 ZN	SCHEIBE M16 17X30X3 U6592 ZN	ARANDELA M16 17X30X3 U6592 ZN
8	F01230085	DADO M16X 2 D982 8 ZN	NUT M16X 2 D982 8 ZN	ECROU M16X 2 D982 8 ZN	MUTTER M16X 2 D982 8 ZN	TUERCA M16X 2 D982 8 ZN
9	F01410076	ROS.M12 13X 24X2,5 U6592 ZN	WASHER D12 U6592 ZN	RONDELLE D12 U6592 ZN	SCHEIBE D12 U6592 ZN	ARANDELA D12 U6592 ZN
10	F01020152	VITE M12X1,75X 40 5737 8.8 ZN	BOLT M12X1,75X40 U5737 8.8 ZN	VIS M12X1,75X 40 U5737 8.8 ZN	SCHR.M12X1,75X 40 U5737 8.8 ZN	TORN.M12X1,75X 40 U5737 8.8 ZN
11	F06120239	TAPPO MOZZO SX DP	LEFT HUB PLUG DP	BOUCHON MOYEU DP A VISSER GCH	NABENPFROPFEN LI DP	TAPÓN CUBO IZQ. DP
12	F01210091	DADO M18X 1,5 U5594 5.8 BR	NUT M18X 2.5 U5594 5.8 BR			
13	F04050011	CUSC.D20 D47 T15,25 30204	BEARING D20 D47 T15,25 30204	PALIER 30204	LAGER 30204	COJINETE 30204
14	F04050012	CUSC.D25 D52 T19,25 30205	BEARING D25 D52 T19,25 30205	ROULEMENT 30205	LAGER 30205	COJINETE 30205
15	F03010061	ANELLO T.A. 30X 52X 7 D3760NBR	OIL SEAL 30X52X7	PARE-HUILE 30X52X7	OELABDICHTUNG 30X52X7	PARA-ACEITE 30X52X7



TRASH WHEEL - SPARTIRESIDUI ROTATIVO

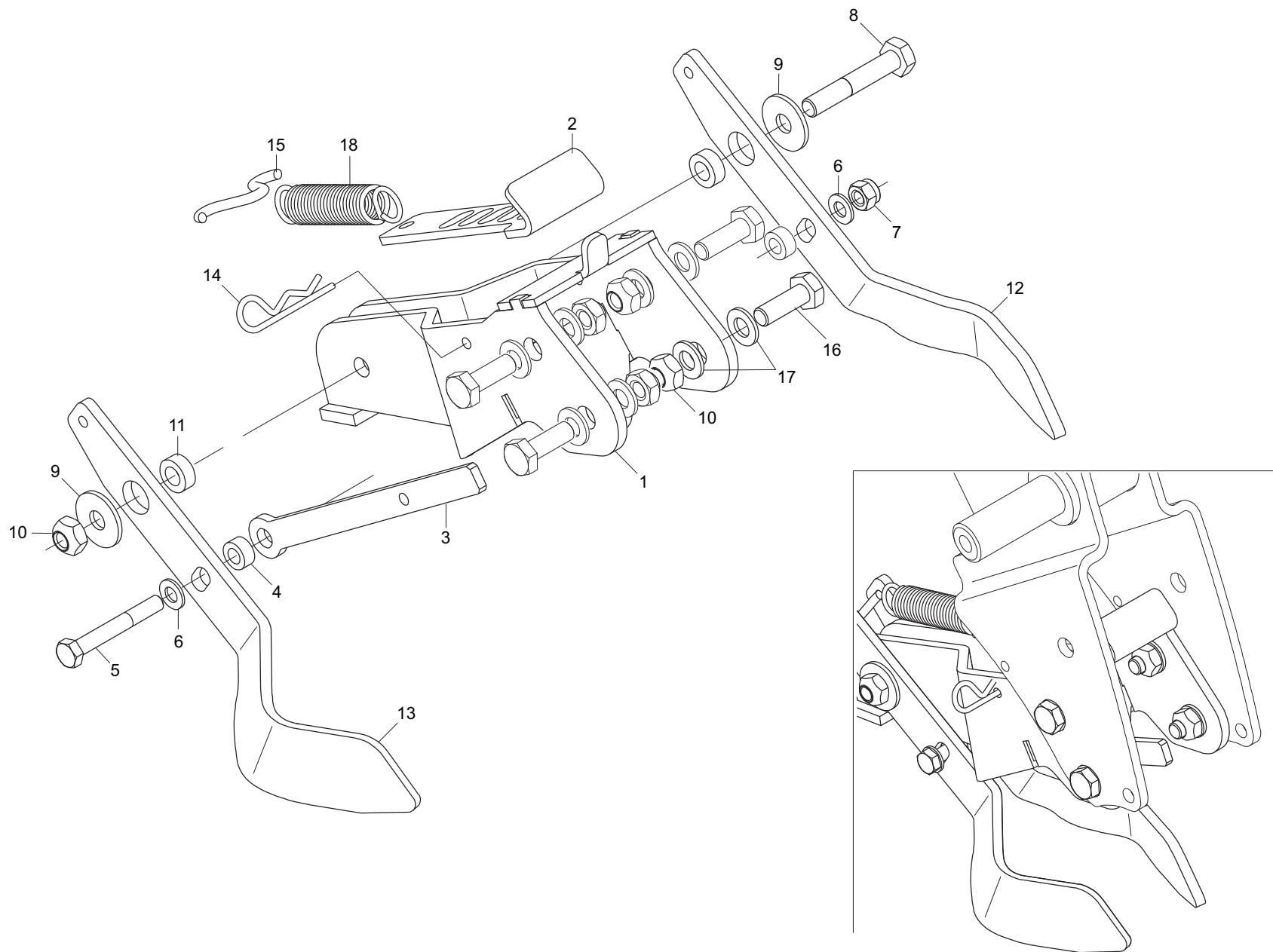
TAV. 110

Pos.	Cod.	Descrizione	Description	Description	Benennung	Descripcion
1	G68008004	DISCO STELLARE				
2	G68008006	MOZZO CON CUSCINETTO				
3	G68008015	TAPPO MOZZO				
4	G68008003	PROTEZIONE MOZZO				
5	G68008005	SUPPORTO DISCHI	DISKS SUPPORT			
6	G68008007	MANIGLIA				
7	G68008014	O-RING 1,78X44,17 (2175)				
8	G68008013	INGRASSATORE 1/8 GAS (=M10X1)				
9	G68008008	SUPPORTO	SUPPORT			
10	G68008009	MOLLA				
11	G68008010	CHIAVISTELLO				
12	G68008011	PIATTO ATTACCO				



RUOTINO PREMISEME INOX
TAV. 120

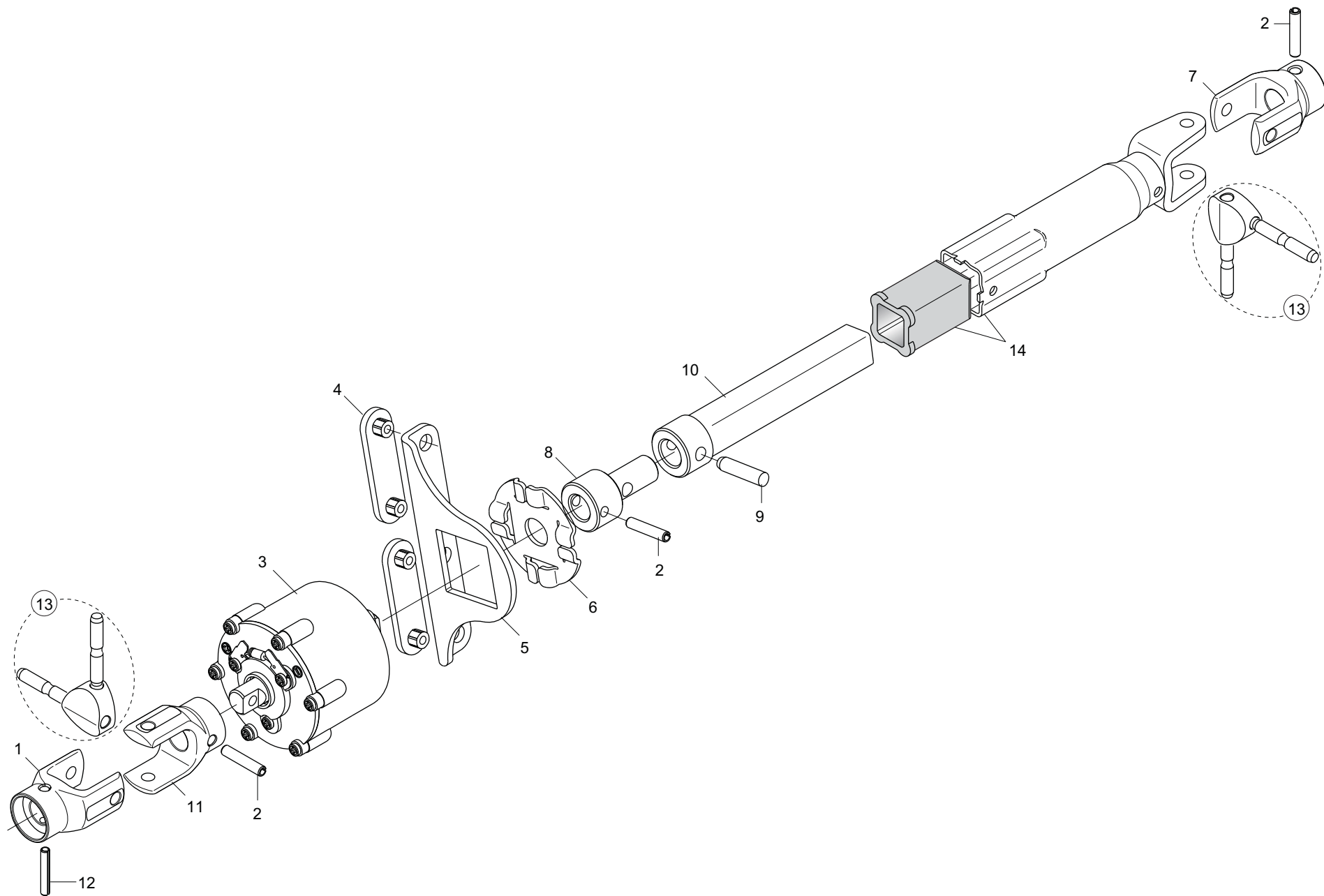
Pos.	Cod.	Descrizione	Description	Description	Benennung	Descripcion
1	G68150017	DISCO PREMISEME D.300 IX				
2	G17722940	BOCCOLA ZN	BUSCHING	BOITE	BsCHSE	CASQUILLO
3	F01030516	VITE M10X1,5X 60 U5933 10.9 ZD	BOLT 10X60 5933 8.8 GALVANIZ.	VIS 10X60 5933 8.8 ZD	SCHRAUBE 10X60 5933 8.8 ZN	TORNILLO 10X60 5933 8.8 ZD
4	G17722600	SUPPORTO	SUPPORT			
5	F01020512	VITE M12X1,75X35 U5739 8.8 ZN	BOLT M12X1,75X35 5739 8.8 ZN	VIS M12X1,75X35 5739 8.8 ZN	SCHR. M12X1,75X35 5739 8.8 ZN	TORN. M12X1,75X35 5739 8.8 ZN
6	G23440001	BOCCOLA PARALLELOGRAMMA	BUSHING- PARALLELOGRAM	BOITE PARALLELOGRAMME	BsCHSE PARALLELOGRAMM	CASQUILLO PARALELOGRAMA
7	F01230059	DADO M12X1,75 D982 8 ZN	NUT M12X1,75 D982 8 ZN	ECROU M12X1,75 D982 8 ZN	MUTTER M12X1,75 D982 8 ZN	TUERCA M12X1,75 D982 8 ZN
8	F01060013	VITE M6X1X20 U5732 4.6 ZN	BOLT 6X20 5732 4.6 GALVANIZED	VIS 6X20 5732 4.6 ZN	SCHRAUBE 6X20 5732 4.6 ZN	TORNILLO 6X20 5732 4.6 ZN
9	G17722950	RASCHIATERRA RUOTINI IX D300	WHEEL SOILSCRAPER IX D300			
10	F01420036	ROS.M6 6,4X 18X 2 U6593 ZN	FLAT WASHER 6-6X 18X2 6593 ZN	ROND. PLATE 6-6X 18X2 6593 ZN	SCHEIBE 6-6X 18X2 6593 ZN	ARAND. PLANA 6-6X 18X2 6593 ZN
11	F01200232	DADO M 6X 1 U5588 6.8 ZN	NUT 6 UNI 5588 6.8 GALVANIZED	ECROU 6 UNI 5588 6.8 ZN	MUTTER 6 UNI 5588 6.8 ZN	TUERCA 6 UNI 5588 6.8 ZN
12	F01230022	DADO M 6X 1 D982 8 ZN	NORM.SELF-LOCKING NUT 6 GALVAN	ECROU AUTOB.NOR.6 ZN	SELBSTSP. MUTTER NOR.6 ZN	TUERCA AUTOB. NOR. 6 ZN
13	G17722970	LAMA ESCLUSIONE RUOTINO ZN				
14	F01020404	VITE M6X1X20 U5739 8.8 ZN	BOLT M 6X 1X20 U5739 8.8 ZN	VIS M 6X20	SCHRAUBE M 6X20	TORNILLO M 6X20
15	F01200244	DADO M 8X1,25 U5588 6.8 ZN	NUT M8 X1,25 U5588 6.8 ZN	ECROU M8 X1,25 U5588 6.8 ZN	MUTTER M8 X1,25 U5588 6.8 ZN	TUERCA M8 X1,25 U5588 6.8 ZN
16	F01060040	VITE M8X1,25X20 U5732 4.6 ZG	BOLT M8X1,25X20 U5732 4.6 ZN	VIS M8X1,25X20 U5732 4.6 ZN	SCHRA. M8X1,25X20 U5732 4.6 ZN	TORN. M8X1,25X20 U5732 4.6 ZN
17	F01200416	DADO M10X 1,5 U5589 6S ZN	NUT 10 UNI5589 6.8 GALVANIZED	ECROU 10 UNI 5589 6.8 ZN	MUTTER 10 UNI 5589 6.8 ZN	TUERCA 10 UNI 5589 6.8 ZN



COPRISEMI ANTERIORI

TAV. 130

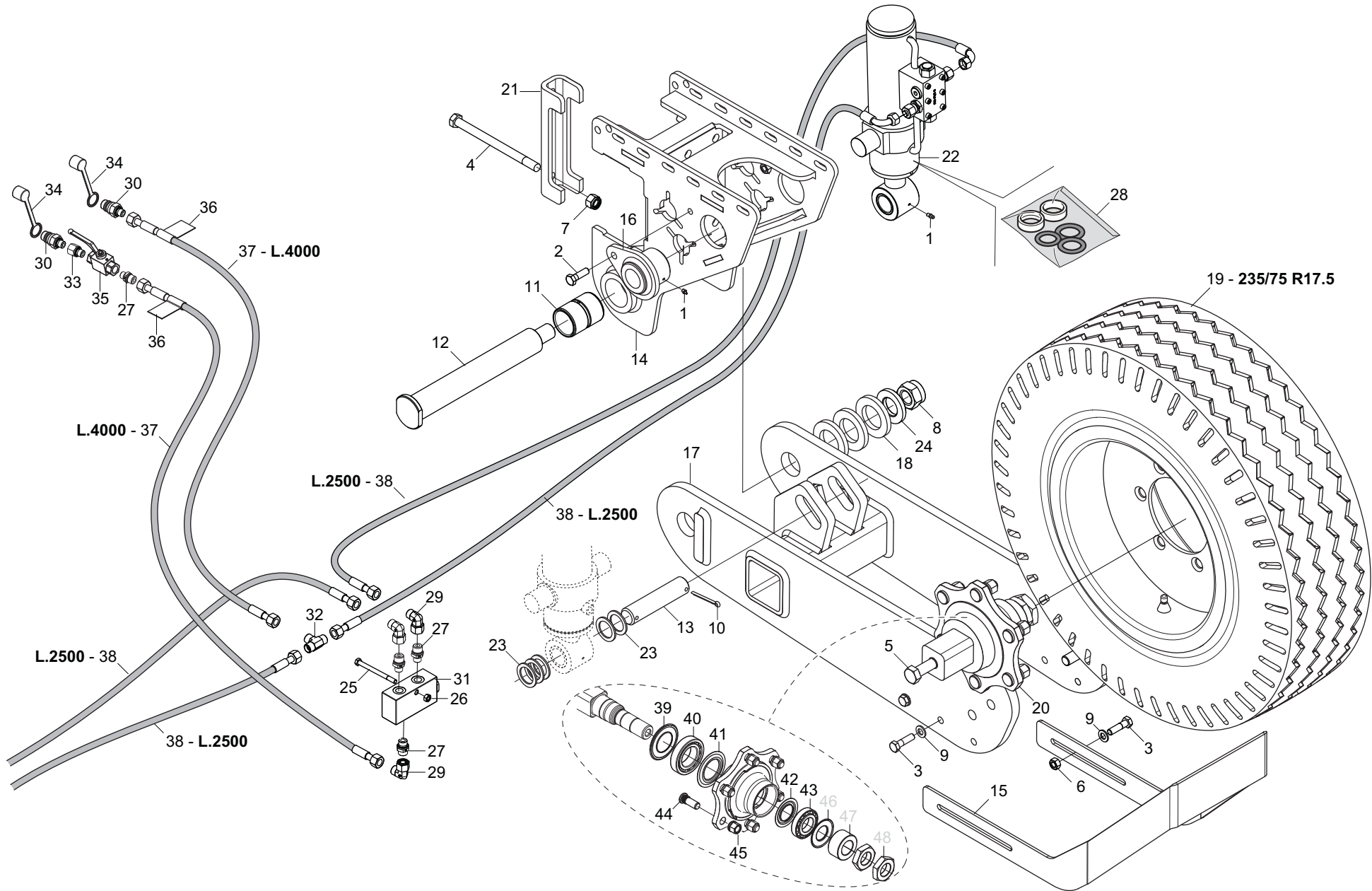
Pos.	Cod.	Descrizione	Description	Description	Benennung	Descripcion
1	GA5220880	SUPPORTO COPRISEME				
2	GA5221000	PIATTO REGOLAZ.COMPRESSIONE				
3	GA5220990	ASTA FERMO CENTRALE				
4	G20980050	BOCCOLA 15X7X8,5 ZN	BUSHING 15X7X8-5 ZN	BOITE 15X7X8-5 ZN	BsCHSE 15X7X8-5 ZN	CASQUILLO 15X7X8-5 ZN
5	F01020077	VITE M 8X1,25X60 U5737 8.8 ZN	BOLT M8X1,25X60 U5737 8.8 ZN	VIS M8X1,25X60 U5737 8.8 ZN	SCHRA. M8X1,25X60 U5737 8.8 ZN	TORN. M8X1,25X60 U5737 8.8 ZN
6	F01410051	ROS.M8 8,4X 17X1,6 U6592 ZN	WASHER M8 8,4X17X1,6 U6592 ZN	RONDEL. M8 8,4X17X1,6 U6592 ZN	SCHEIBE M8 8,4X17X1,6 U6592 ZN	ARANDELA M8 8,4X17X1,6 U6592 ZN
7	F01230034	DADO M 8X1,25 D982 8	SELF LOCK.NUT M8X1,25 D982 8ZN	ECROU AUTOBL.M8X1,25 D982 8 ZN	SELBST.MUTT.M8X1,25 D982 8 ZN	TUERCA AUTO. M8X1,25 D982 8 ZN
8	F01020118	VITE M10X1,5X60 U5737 8.8 ZN	BOLT 10X60 5737 8.G GALVANIZED	VIS 10X60 5737 8.G ZN	SCHRAUBE 10X60 5737 8.G ZN	TORNILLO 10X60 5737 8.G ZN
9	F01420060	ROS.M10 10,5X 30X2,5 U6593 ZN	WASHER 10,5X30	RONDELLE 10,5X30	SCHEIBE 10,5X30	ARANDELA 10,5X30
10	F01220048	DADO M12X1,75 D980 8 ZN	NUT M12X1,75 D980 8 ZN	ECROU M12X1,75 D980 8 ZN	SCHEIBE M12X1,75 D980 8 ZN	TUERCA M12X1,75 D980 8 ZN
11	G20980022	BOCCOLA 18X10,25X7	BUSHING 18X10-25X7	BOITE 18X10-25X7	BsCHSE 18X10-25X7	CASQUILLO 18X10-25X7
12	GA5220890	COPRISEME SX				
13	GA5220900	COPRISEME DX				
14	F02200363	COPIGLIA R 3X 62 ZN	SPRING SPLIT PIN 3X 62 ZN	GOUPILLE R 3X62	SPLINT R 3X62	CHAVETA R 3X62
15	G15224250	FERMO MOLLA	SPRING STOP	ARRET RESSORT	FESTSTELLVORRICHTUNG FEDER	BLOQUEO MUELLE
16	F01020512	VITE M12X1,75X35 U5739 8.8 ZN	BOLT M12X1,75X35 5739 8.8 ZN	VIS M12X1,75X35 5739 8.8 ZN	SCHR. M12X1,75X35 5739 8.8 ZN	TORN. M12X1,75X35 5739 8.8 ZN
17	F01410076	ROS.M12 13X 24X2,5 U6592 ZN	WASHER D12 U6592 ZN	RONDELLE D12 U6592 ZN	SCHEIBE D12 U6592 ZN	ARANDELA D12 U6592 ZN
18	G65337005	MOLLA TRAZ.CAMBIO SV	TRACTION COUPLING SPRING- GEAR	RESSORT TRACT.BOITE DE VITESSE	ZUGFEDER GETRIEBE SV	MUELLE TRAC. CAMBIO SV



ESCLUSIONE ELETTRICA FILE DI SEMINA

TAV. 140

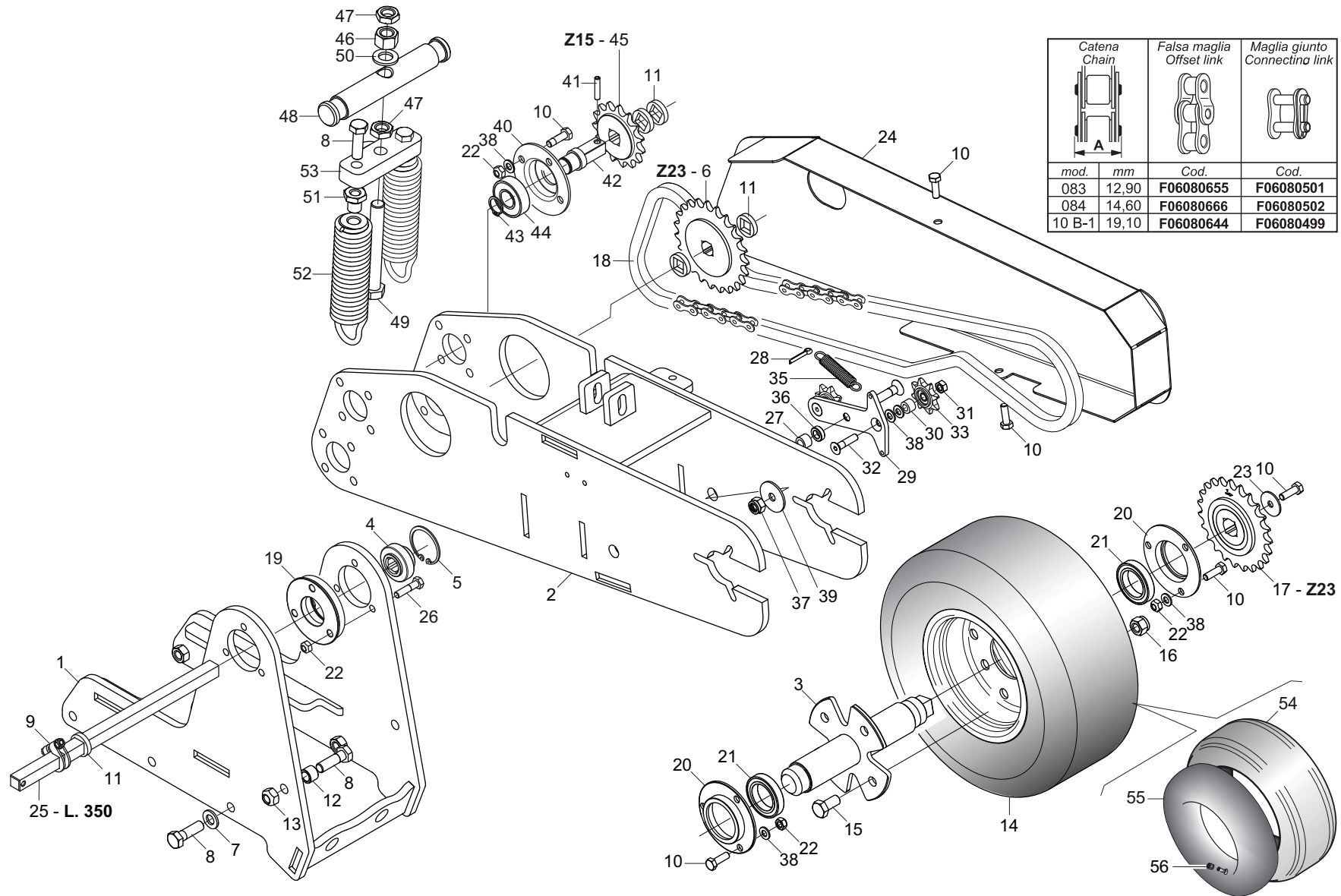
Pos.	Cod.	Descrizione	Description	Description	Benennung	Descripcion
1	G19204060	FORCELLA	FORK			
2	F02100114	SPINA E.P. 6X 30 U6873 C70 BR	ELASTIC PIN 6X30	GOUJON ELASTIQUE 6X30	SPANNHUELSE 6X30	ESPINA ELASTICA 6X30
3	G16033703	DISINNESTO ELETTRICO MBN				
4	G19003470	PATTINO DI SCORRIMENTO	SLIDING SIDE BLOCK	PATIN DE GLISSEMENT	GLEITSCHUH	PATIN DE DESPLAZAMIENTO
5	GA5220520	LAMIERA FERMO ROTAZIONE ZN				
6	G16621620	DISTANZIALE DISINNESTO ELET.				
7	G19204080	FORCELLA				
8	GA5220490	PERNO ZN	PIN ZN			
9	G66248057	SPINA DI SICUREZZA SP	SAFETY PIN SP	BROCHE PLASTIC SECURITE CARDAN	SICHERHEITSTIFT SP	CLAVIJA DE SEGURIDAD SP
10	GA5220480	INNESTO	CLUTCH			
11	GA5220500	CROCIERA CARDANICA				
12	F02100087	SPINA E.P. 5X 30 U6873 C70 BR	PIN EL. 5 X30 DIN 1481	FICHE EL. 5 X30 DIN 1481	SPANNSTIFT 5 X30 DIN 1481	CLAVIJA EL.5 X30 DIN 1481
13	G22270454	CROCIERA COMPL. SP/S	SPIDER SP/S	CROSILLON COMPL CARDAN TRANSM	GELENKKREUZ KOMPL. SP/S	CRUCETA COMPL. SP/S
14	GA5220450	TUBO INNESTO CON FORCELLA				



RUOTE DI TRASPORTO

TAV. 151

Pos.	Cod.	Descrizione	Description	Description	Benennung	Description
1	F01100011	ING.M 6X1 7663-A 9SMNPB28 ZN	GREASE NIPPLE M6X1 7663-A ZN	GRAISS. A BILLE M6X1 7663A ZN	SCHMIERBUECHE M6X1 7663-A ZN	ENGRAS. DE ESFERAS M6X1 7663-A
2	F01020152	VITE M12X1,75X 40 U5737 8.8 ZN	BOLT M12X1,75X40 U5737 8.8 ZN	VIS M12X1,75X 40 U5737 8.8 ZN	SCHR.M12X1,75X 40 U5737 8.8 ZN	TORN.M12X1,75X 40 U5737 8.8 ZN
3	F01020154	VITE M12X1,75X45 U5737 8.8 ZN	BOLT M12X1,75X45 U5737 8.8 ZN	VIS M12X1,75X 45 U5737 8.8 ZN	SCHR.M12X1,75X 45 U5737 8.8 ZN	TORN.M12X1,75X 45 U5737 8.8 ZN
4	F01020288	VITE M16X2X70 U5737 10.9 ZD	BOLT M16X 2X 70 U5737 10.9 ZD	VIS M16X 2X 70 U5737 10.9 ZD	SCHRAUBE M16X 2X 70 U5737 10.9	TORNILLO M16X 2X 70 U5737 10.9
5	F01020630	VITE M20X2,5X 50 U5739 10.9 ZN				
6	F01200293	DADO M12X1,75 U5588 6.8 ZN	NUT M12X1,75 U5588 6.8 ZN	ECROU M12X1,75 U5588 6.8 ZN	MUTTER M12X1,75 U5588 6.8 ZN	TUERCA M12X1,75 U5588 6.8 ZN
7	F01230085	DADO M16X 2 D982 8 ZN	NUT M16X 2 D982 8 ZN	ECROU M16X 2 D982 8 ZN	MUTTER M16X 2 D982 8 ZN	TUERCA M16X 2 D982 8 ZN
8	F01230291	DADO M30X 2 D985 ZN	SELF-LOCK NUT M30X2 DIN 985 ZN	ECROU AUTOB. M30X2 DIN 985 ZN	SELBSTSP. MU. M30X2 DIN 985 ZN	TUERCA AUTOB. M30X2 DIN 985 ZN
9	F01410076	ROS.M12 13X 24X2,5 U6592 ZN	WASHER D12 U6592 ZN	RONDELLE D12 U6592 ZN	SCHEIBE D12 U6592 ZN	ARANDELA D12 U6592 ZN
10	F02200247	COPIGLIA 6X 60 U1336 ZN	SPLIT PIN 6X 60 U1336 ZG	GOUPILLE 6X 60 U1336 ZG	SPLINT 6X 60 U1336 ZG	PASADOR 6X 60 U1336 ZG
11	G15315990	BOCCOLA 50 X60 X80 CEMEN.	BUSHING CEMENTATE 50X60X80	BOITE 50X60X80	BsCHSE 50X60X80	CASQUILLO 50X60X80
12	G16114900	SPINA ATTACCO 1-2 PUNTO	COUPLING PIN 1-2 POINT	BOULON COUPLING 1-2 P.	KUPPLUNGSAZFEN 1-2 PUNKT	PERNO CONEXIN 1-2 PUNTO
13	G16410480	SPINA 35,00X134 2F7	PIN 35X134	GOUPILLE 35X134	STIFT 35X134	CLAVIJA 35X134
14	G17611170	SUPPORTO CARRELLO				
15	G17611230	RASCHIATERRA				
16	G17611320	BOCCOLA PERNO CILINDRO ZN				
17	G17611910	FORCELLONE CARRELLO				
18	G17611920	RONDELLA 51X85X10				
19	G17612380	RUOTA COMPL.235/75-17,5 18PR >				
20	G17630130	MOZZO ASSALE PASSANTE D160 >				
21	G17714320	SCONTRO A U SP.10 2F16,5 197				
22	F03090001	CILINDRO DE 40X80 -215 V.BLOC.				
23	G18701600	RONDELLA 35,5 X50 X3 ZN	WASHER 35.5 X 50 X 3- GALVANIZ	RONDELLE 35-5 X50 X3 ZN	UNTERLEGSSCHEIBE 35-5 X50 X3	ARANDELA 35-5 X50 X3 ZN
24	G18701810	RONDELLA 38 X70 X10 ZN	WASHER 38X70X10	RONDELLE 38X70X10	UNTERLEGSSCHEIBE 38X70X10	ARANDELA 38X70X10
25	F01020077	VITE M 8X1,25X60 U5737 8.8 ZN	BOLT M8X1,25X60 U5737 8.8 ZN	VIS M8X1,25X60 U5737 8.8 ZN	SCHRA. M8X1,25X60 U5737 8.8 ZN	TORN. M8X1,25X60 U5737 8.8 ZN
26	F01200244	DADO M 8X1,25 U5588 6.8 ZN	NUT M8 X1,25 U5588 6.8 ZN	ECROU M8 X1,25 U5588 6.8 ZN	MUTTER M8 X1,25 U5588 6.8 ZN	TUERCA M8 X1,25 U5588 6.8 ZN
27	F03080001	NIPPLO M3/8 SEAL ML12 ZN				
28	F03090002	KIT GUARNIZ.CILINDRO F03090001				
29	F03080062	RACC.L FL12 ML12 ZN				
30	F03080089	INNESTO RAP.MASCH.DL M18X1,5				
31	F03151146	DIVISORE FLUSSO RIUNIF.3/8-24	REUNITED FLOW DIVIDER 3/8-24	DIVISEUR FLUX UNIF. 3/8-24	FLUSSTEILER 3/8-24	DIVISOR FLUJO REUNIF.3/8-24
32	F03080030	RACC.T ML12 ML12 ML12 ZN				
33	F03080042	NIPPLO M3/8 SEAL FL12 ZN				
34	F05150325	CAPPUC.F X INN.M RAP.1/2 ROSSO	COVER CONNECT F 1/2 RED	COUVERCLE CONNEXION F 1/2 ROSE	DECKEL W 1/2 SCHNELLKUPP. ROT	PAC PROTECCION F 1/2 ROJO
35	F03151246	RUBINETTO F-F 3/8	BREATHER TAP F-F 3/8	BOUCHON REFOUL. F-F 3/8	ENTLsFTUNGSPFROPFEN F-F 3/8	TAPON PURGADOR F-F 3/8
36	G19702910	DECAL.MOVIMENT.CARRELLO	LABEL TRAILLER MOVE	ETIQUETTE MOUVEMENT CHARIOT	ETIKETT WAGEN BEWEGEN	ETIQUETA MOVIMIENTO CARRO
37	F03070059	TG 3/8 R17 FL12 FL12 L4000				
38	F03070066	TG 3/8 R17 FL12 CFL12 L2500				
39	G68200004	GUARNIZIONE GRASSO 055/100				
40	F04050020	CUSC.D55 D100 T22,75 30211	BEARING D55 D100 T22,75 30211	ROULEMENT D55 D100 T22,75	LAGER D55 D100 T22,75 30211	COJINETE D55 D100 T22,75 30211
41	G68200008	ANELLO DI TENUTA 30211				
42	G68200006	ANELLO DI TENUTA 30208				
43	F04050017	CUSC.D40 D80 T19,75 30208	BEARING D40 D80 T19,75 30208	ROULEMENT D40 D80 T19,75 302	LAGER D40 D80 T19,75	COJINETE D40 D80 T19,75 3020
44	G68200025	VITE COLONNETTA M18X1,5				
45	G68200027	DADO COLONNETTA M18X1,5				
46						
47						
48						



RUOTINO DI TRASMISSIONE

TAV. 161

Pos.	Cod.	Descrizione	Description	Description	Benennung	Descripcion
1	G17630191	SUPPORTO BRACCIO				
2	G17630210	BRACCIO OSCILLANTE RUOTINO				
3	G17630020	ASSE RUOTINO ZN				
4	G14830390	CUSCINETTO FORO QUADRO	SQUARE-HOLED BEARING	ROULEMENT AL+SAGE CARR+	VIERKANTLAGER	COJINETE ORIFICIO CUADRADO
5	F02050370	ANELLO E. DI 47X1,75 U7437 C70	SEEGER RING 47X 1,75 U7437 C70	SEEGER E. 47X 1,75 U7437 C70	SEEGERING E. 47X1,75 U7437 C70	ANILLO E. 47X 1,75 U7437 C70
6	G16630410	PIGNONE Z-23 ZN.	PINION Z-23 ZN.	PINION Z-23 ZN.	RITZE Z-23 ZN.	PINION Z-23 ZN.
7	F01410076	ROS.M12 13X 24X2,5 U6592 ZN	WASHER D12 U6592 ZN	RONDELLE D12 U6592 ZN	SCHEIBE D12 U6592 ZN	ARANDELA D12 U6592 ZN
8	F01020152	VITE M12X1,75X 40 U5737 8.8 ZN	BOLT M12X1,75X40 U5737 8.8 ZN	VIS M12X1,75X 40 U5737 8.8 ZN	SCHR.M12X1,75X 40 U5737 8.8 ZN	TORN.M12X1,75X 40 U5737 8.8 ZN
9	G22505085	FERMO ASSE IN LAMIERA	PLATE AXLE STOP	ARRET AXE EN TOLE	FESTSTELLVORRICHTUNG BLECHACHS	BLOQUEO EJE DE CHAPA
10	F01020440	VITE M 8X1,25X25 U5739 8.8 ZN	BOLT M8X1,25X25 U5739 8.8 ZN	VIS M8X1,25X25 U5739 8.8 ZN	SCHRA. M8X1,25X25 U5739 8.8 ZN	TORNIL.M8X1,25X25 U5739 8.8 ZN
11	G66248218	RONDELLA DISTAN.SPANDI	MAN. SPR. SPACER WASHER	RONDELLE ENTRETOISE EP. ENGRAI	ABSTANDSCHEIBE DsNGERSTREUER	ARANDELA DISTAN.ABONAD.
12	G20980017	BOCCOLA 13X12,25X18	BUSHING 13X20X18	BOITE 13X12-25X18	BsCHSE 13X12-25X18	CASQUILLO 13X12-25X18
13	F01220048	DADO M12X1,75 D980 8 ZN	NUT M12X1,75 D980 8 ZN	ECROU M12X1,75 D980 8 ZN	SCHEIBE M12X1,75 D980 8 ZN	TUERCA M12X1,75 D980 8 ZN
14	F06120242	RUOTA COMPL.13X6.50-6 4PR GD	COMPL.WHEEL13X6.50-6 4PR GD			
15	F01020508	VITE M12X1,75X25 U5739 8.8 ZN	BOLT M12X1,75X25 U5739 8.8 ZN	VIS M12X1,75X25 U5739 8.8 ZN	SCHR. M12X1,75X25 U5739 8.8 ZN	TORN. M12X1,75X25 U5739 8.8 ZN
16	F01230059	DADO M12X1,75 D982 8 ZN	NUT M12X1,75 D982 8 ZN	ECROU M12X1,75 D982 8 ZN	MUTTER M12X1,75 D982 8 ZN	TUERCA M12X1,75 D982 8 ZN
17	G17131500	PIGNONE Z23 5/8-3/8 Q.20 RL ZN	PINION Z23 5/8-3/8 Q.20 RL ZN			
18	F06080172	CATENA 5/8 ISO 10B 110 MAGLIE	CHAIN ISO 10B-1 110 LINKS	TRONCON CHAINE ISO10B-1 110MA.	KETTENZNGE ISO 10B-1 110 GLIE	TRECHO CADENA ISO 10B-1 110 ES
19	G22310011	FLANGIA CAMBIO DP	GEARBOX FLANGE DP	BRIDE BOITE DE VITESSE DP	FLANSCH GETRIEBE DP	BRIDA CAMBIO DP
20	G22500092	SUPPORTO CUSCINETTO	BEARING SUPPORT	SUPPORT PALIER	LAGERBsCHSE	SOPORTE COJINETE
21	F04010311	CUSC.d35 D55 B10 61907 LLU				
22	F01220022	DADO M 8X1,25 D980 8 ZN	NUT M8X 1,25 D980 8 ZN	ECROU M8X 1,25 D980 8 ZN	MUTTER M8X 1,25 D980 8 ZN	TUERCA M8X 1,25 D980 8 ZN
23	F01420049	ROS.M8 8,4X 32X 2 U6593 ZN	WASHER M8 8,4X32X2 U6593 ZN	RONDELLA M8 8,4X32X2 U6593 ZN	SCHEIBE M8 8,4X32X2 U6593 ZN	ARANDELA M8 8,4X32X2 U6593 ZN
24	G17630900	LAMIERA CARTER				
25	G10230250	ASSE TRASM.L.350	TRANSMISSION AXLE L350	AXE TRANSMISSION.L.350	ANTRIEBSACHSE L.350	EJE TRANSMISIN L 350
26	F01020063	VITE M8X1,25X 35 U5737 8.8 ZN	BOLT M8X1,25X 35 U5737 8.8 ZN	VIS 8 X35 5737 8.G ZN	SCHRAUBE 8 X35 5737 8.G ZN	TORNILLO 8 X35 5737 8.G ZN
27	G18801610	BOCCOLA 10,25X16 X11 ZN	BUSHING 10,25X16 X11 ZN	BOITE 10-25X16 X11 ZN	BsCHSE 10-25X16 X11 ZN	CASQUILLO 10-25X16 X11 ZN
28	F02200226	COPIGLIA 5X 25 U1336 ZN	SPLIT PIN 5 X25 1336 GALVAN.	GOUPILLE 5 X25 1336 ZN	SPLINT 5 X25 1336 ZN	PASADOR 5 X25 1336 ZN
29	G15835330	TENDICATENA ZN	CHAINSTRETCHER ZN			
30	G18801580	BOCCOLA 8,5 X15 X10 ZN	BUSH 8.5 X15 X10	DOUILLE 8,5 X15 X10	BUCHSE 8,5 X15 X10	MANGUITO 8,5 X15 X10
31	F01200244	DADO M 8X1,25 U5588 6.8 ZN	NUT M8 X1,25 U5588 6.8 ZN	ECROU M8 X1,25 U5588 6.8 ZN	MUTTER M8 X1,25 U5588 6.8 ZN	TUERCA M8 X1,25 U5588 6.8 ZN
32	F01030060	VITE M 8X1,25X35 U5933 10.9 ZD	BOLT M8X1,25X35 U5933 8.8 ZD	VIS 8X35 5933 8.8 ZN	SCHRAUBE 8X35 5933 8.8 ZN	TORNILLO 8X35 5933 8.8 ZN
33	G16630790	INGR.Z8 5/8X3/8 TENDICAT.COMPL	GEAR Z8 5/8X3/8 CHAIN			
34	F01030097	VITE M10X1,5X 40 U5933 10.9 ZD				
35	G18902970	MOLLA TRAZ.CAMBIO ZN SP	GALVAN. GEAR TRACT. SPRING SP	RESS. TRACT. BOITE VITESSE ZN	ZUGFEDER GETRIEBE ZN SP	MUELLE TRAC. CAMBIO ZN SP
36	G18800260	BOCCOLA 10,5X18X6 ZN	BUSHING 10,5X18X6 ZN			
37	F01230048	>DADO M10X 1,5 D982 8 ZN	NUT M10X 1,5 D982 8 ZN	ECROU M10X 1,5 D982 8 ZN	SCHEIBE M10X 1,5 D982 8 ZN	TUERCA M10X 1,5 D982 8 ZN
38	F01410051	ROS.M8 8,4X 17X1,6 U6592 ZN	WASHER M8 8,4X17X1,6 U6592 ZN	RONDEL. M8 8,4X17X1,6 U6592 ZN	SCHEIBE M8 8,4X17X1,6 U6592 ZN	ARANDELA M8 8,4X17X1,6 U6592ZN
39	F01420061	ROS.M10 10,5X 40X2,5 U6593 ZN	WASHER 11X40X2.5 6593 ZN	RONDELLE 11X40X2.5 6593 ZN	UNTERLEGSCHHEIBE 11X40X2.5 6593	ARANDELA 11X40X2.5 6593 ZN
40	G16242190	SUPPORTO CUSCINETTO	BEARING SUPPORT	SUPPORT PALIER	LAGERBsCHSE	SOPORTE COJINETE
41	F02100114	SPINA E.P. 6X 30 U6873 C70 BR	ELASTIC PIN 6X30	GOUJON ELASTIQUE 6X30	SPANNHUELSE 6X30	ESPINA ELASTICA 6X30
42	G16931080	PERNO RINVIO TRASM.SEME ZN				
43	F02050078	ANELLO E. DE 20X 1,2 U7435 C70	SEEGER RING E. 20X1,2 7435 C70	SEEGER 20X 1,2 U7435 C70	SEEGER E. 20X 1,2 U7435 C70	
44	F04010156	CUSC.d20 D47 B14 6204 2RSH	BEARING d20 D47 B14 6204 2RSH			
45	G16630390	PIGNONE Z15 5/8-3/8 Q.16,4 ZN	PINION Z-15 ZN	PIGNON Z-15 ZN	RITZE Z-15 ZN	PINION Z-15 ZN
46	F01200110	DADO M16X 2 U5587 6.8 ZN	NUT M16	ECROU M16	MUTTER M16	TUERCA M16
47	F01200444	DADO M16X 2 U5589 6S ZN	NUT M16X2	ECROU M16X2	MUTTER M16X2	DADO M16X2
48	G17630250	TONDO AGGANCIAMO MOLLE RUOTIN.ZN				
49	F01020581	VIT.M16X 2X120 U5739 8.8 ZN	BOLT M16X 2X120 U5739 8.8			
50	F01410100	ROS.M16 17X 30X 3 U6592 ZN	WASHER M16 17X30X3 U6592 ZN	RONDELLE M16 17X30X3 U6592 ZN	SCHEIBE M16 17X30X3 U6592 ZN	ARANDELA M16 17X30X3 U6592 ZN
51	G15220120	VITE REGOLAZIONE ZN	REGULATION BOLT	VIS RÉGLAGE ZN	STELLSCHRAUBE ZN	TORNILLO REGULACIÓN ZN
52	G15226270	MOLLA COMPL.	SPRING			
53	G17722770	ASS.TIRO MOLLA				
54	F06120443	COPERTURA 13X6.5-6 4PR GD				
55	F06120442	CAMERA X RUOTA 13X6.5-6 4PR GD				
56	F05050025	CAPPELOTTO PROTEZ. X VALV.PVC	PROTECTION CAP PVC X VALVA	CAPUCHON PROTECION PVC X VALVA	SCHUTZKAPPE PVC X VENTIL	TAPA PROTECION PVC X VALVA

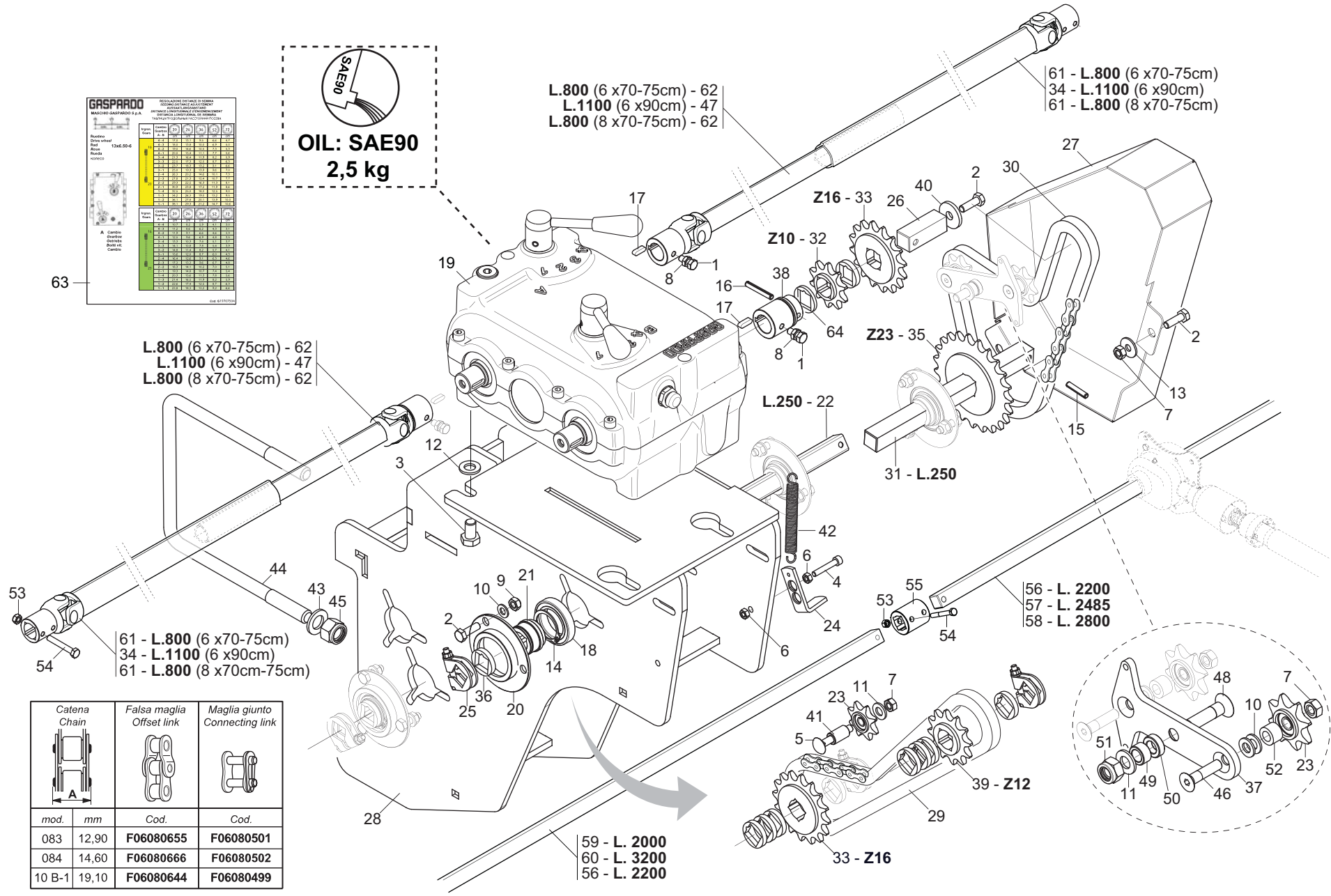
GASPARDO REGOLAZIONE DEL VITE DI SICUREZZA PER IL PISTONE ACCENSIONE
SAFETY CHECKING SYSTEM
SAFETY CHECKING SYSTEM
SAFETY CHECKING SYSTEM

Numero Cilindro	1	2	3	4	5	6	7
Numero Cilindro	1	2	3	4	5	6	7
Numero Cilindro	1	2	3	4	5	6	7
Numero Cilindro	1	2	3	4	5	6	7
Numero Cilindro	1	2	3	4	5	6	7
Numero Cilindro	1	2	3	4	5	6	7
Numero Cilindro	1	2	3	4	5	6	7
Numero Cilindro	1	2	3	4	5	6	7
Numero Cilindro	1	2	3	4	5	6	7
Numero Cilindro	1	2	3	4	5	6	7
Numero Cilindro	1	2	3	4	5	6	

A Carburatore
 Borehole
 Distributor
 Piston pin
 Carburetor

Doc. G19531371

SAE90
OIL: SAE90
2,5 kg



L.800 (6 x70-75cm) - 62
 L.1100 (6 x90cm) - 47
 L.800 (8 x70-75cm) - 62

61 - L.800 (6 x70-75cm)
 34 - L.1100 (6 x90cm)
 61 - L.800 (8 x70-75cm)

61 - L.800 (6 x70-75cm)
 34 - L.1100 (6 x90cm)
 61 - L.800 (8 x70cm-75cm)

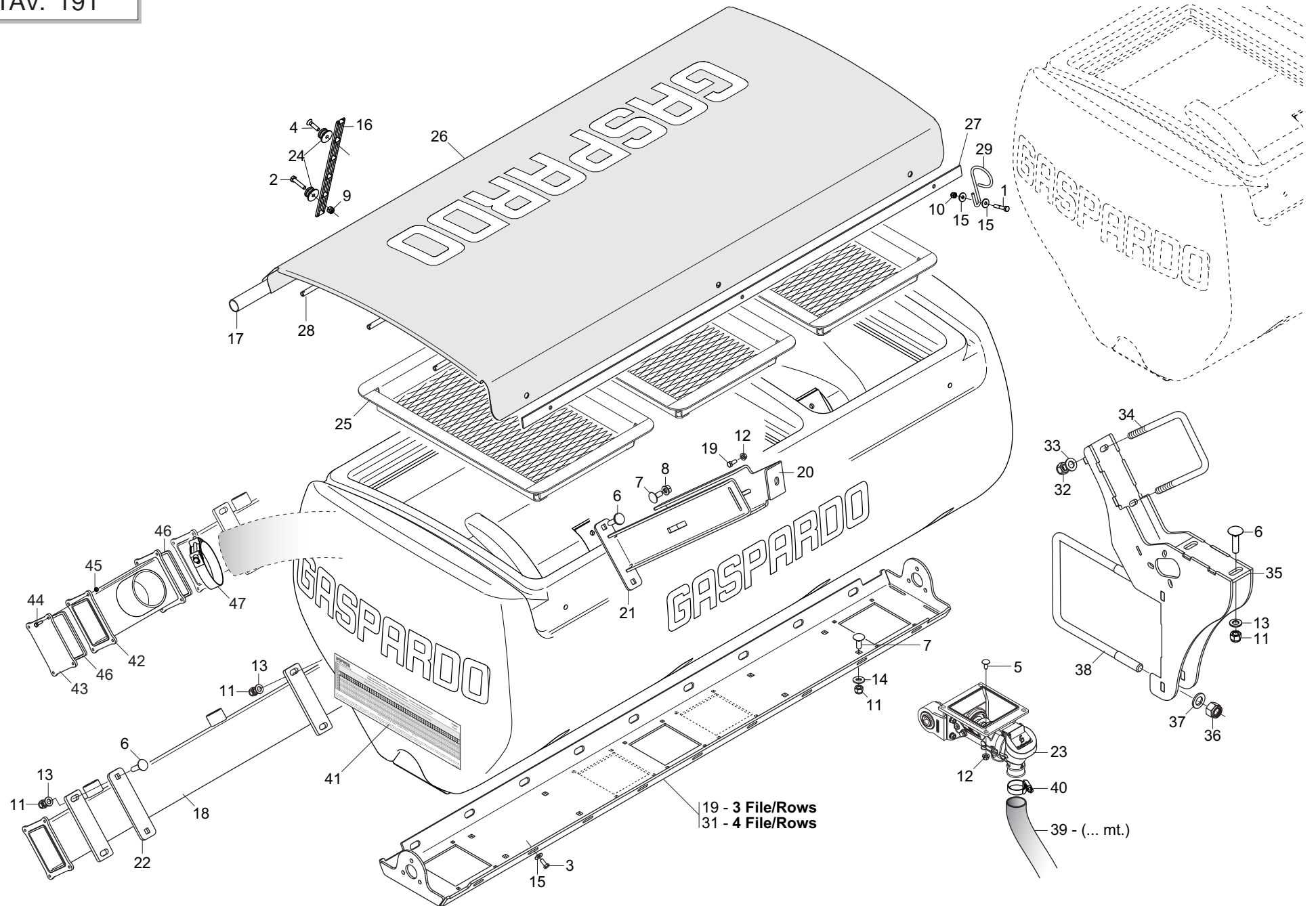
56 - L. 2200
 57 - L. 2485
 58 - L. 2800

59 - L. 2000
 60 - L. 3200
 56 - L. 2200

Catena Chain		Falsa maglia Offset link		Maglia giunto Connecting link	
mod.	mm	Cod.	Cod.	Cod.	Cod.
083	12,90	F06080655	F06080501		
084	14,60	F06080666	F06080502		
10 B-1	19,10	F06080644	F06080499		

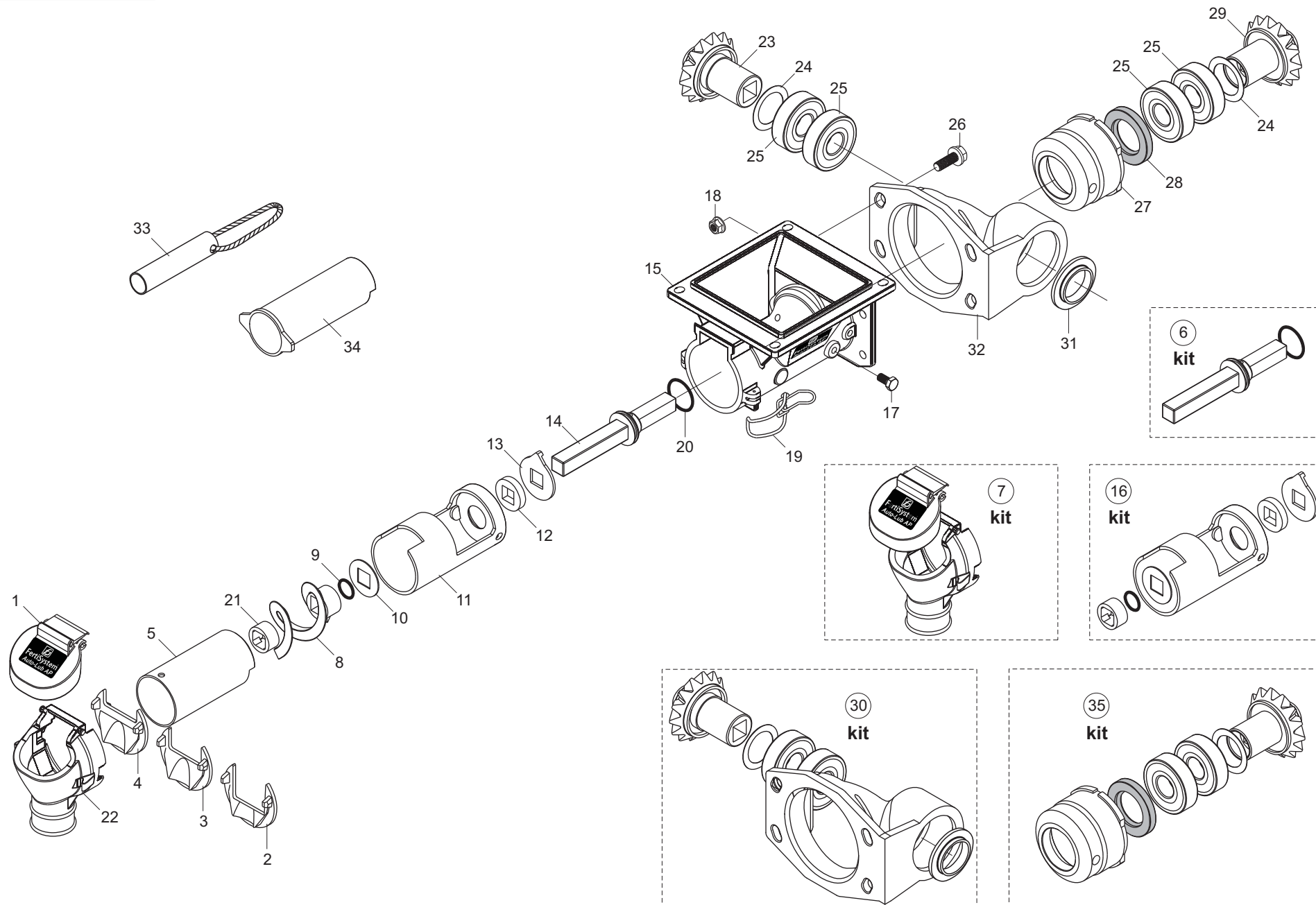
TRASMISSIONE ELEMENTI SEMINATORI

Pos.	Cod.	Descrizione	Description	Description	Benennung	Descripcion
1	F01020436	VITE M 8X1,25X20 U5739 8.8 ZN	BOLT M8X1,25X20 U5739 8.8 ZN	VIS M8X1,25X20 U5739 8.8 ZN	SCHRA. M8X1,25X20 U5739 8.8 ZN	TORN. M8X1,25X20 U5739 8.8 ZN
2	F01020440	VITE M 8X1,25X25 U5739 8.8 ZN	BOLT M8X1,25X25 U5739 8.8 ZN	VIS M8X1,25X25 U5739 8.8 ZN	SCHRA. M8X1,25X25 U5739 8.8 ZN	TORNIL.M8X1,25X25 U5739 8.8 ZN
3	F01020506	VITE M12X1,75X20 U5739 8.8 ZN	BOLT M 12X20	VIS M 12X20	SCHRAUBE M 12X20	TORNILLO M 12X20
4	F01040066	VITE M6X1X35 U5931 8.8 ZN	BOLT 6 X35 5931 8.G GALVANIZ.	VIS 6 X35 5931 8.G ZN	SCHRAUBE 6 X35 5931 8.G ZN	TORNILLO 6 X35 5931 8.G ZN
5	F01060048	VITE M8X1,25X50 U5732 4.6 ZN	BOLT 8 X50 5732 4.6 GALVANIZ.	VIS 8 X50 5732 4.6 ZN	SCHRAUBE 8 X50 5732 4.6 ZN	TORNILLO 8x50 5732 4.6 ZN
6	F01200233	DADO M 6X 1 U5588 A2 IX	NUT M 6X 1 U5588 IX	ECROU M 6X 1 U5588 I	MUTTER M 6X 1 U5588	TUERCA M 6X 1 U5588
7	F01200244	DADO M 8X1,25 U5588 6.8 ZN	NUT M8 X1,25 U5588 6.8 ZN	ECROU M8 X1,25 U5588 6.8 ZN	MUTTER M8 X1,25 U5588 6.8 ZN	TUERCA M8 X1,25 U5588 6.8 ZN
8	F01200410	DADO M 8X1,25 U5589 6S ZN	NUT M8X1,25	ECROU M8X1,25	MUTTER M8X1,25	DADO M8X1,25
9	F01220022	DADO M 8X1,25 D980 8 ZN	NUT M8X 1,25 D980 8 ZN	ECROU M8X 1,25 D980 8 ZN	MUTTER M8X 1,25 D980 8 ZN	TUERCA M8X 1,25 D980 8 ZN
10	F01410051	ROS.M8 8,4X 17X1,6 U6592 ZN	WASHER M8 8,4X17X1,6 U6592 ZN	RONDEL. M8 8,4X17X1,6 U6592 ZN	SCHIEBE M8 8,4X17X1,6 U6592 ZN	ARANDELA M8 8,4X17X1,6 U6592ZN
11	F01410064	ROS.M10 10,5X 20X 2 U6592 ZN	WASHER M10 10,5X20X2 U6592 ZN	RONDELL.M10 10,5X20X2 U6592 ZN	SCHIEBE M10 10,5X20X2 U6592 ZN	ARAND. M10 10,5X20X2 U6592 ZN
12	F01410076	ROS.M12 13X 24X2,5 U6592 ZN	WASHER D12 U6592 ZN	RONDELLE D12 U6592 ZN	SCHIEBE D12 U6592 ZN	ARANDELA D12 U6592 ZN
13	F01420048	ROS.M8 8,4X 24X 2 U6593 ZN	WASHER M8 8,4X 24X 2 U6593 ZN	RONDELLE M8 8,4X 24X2 U6593 ZN	SCHIEBE M8 8,4X 24X 2 U6593 ZN	ARANDELA M8 8,4X 24X2 U6593 ZN
14	F02050146	ANELLO E. DE 35X 1,5 U7435 C70	ELASTIC RING DE 35X 1,5 U7435	BAGUE ELASTIQUE DE 35X 1,5	RING DE 35X 1,5 U7435 C70	ANILLO DE 35X 1,5 U7435 C70
15	F02100115	SPINA E.P. 6X 30 U6873 C70 IX	PIN EL. 6X30 DIN 1481 S.STEEL*	GOUPILLE EL.6 X30 DIN 1481 IN	SPANNSTIFT 6 X30 DIN 1481 EDEL	CLAVIJA EL.6 X30 DIN 1481 INO
16	F02100121	SPINA E.P. 6X 40 U6873 C70 BR	ELASTIC PIN 6X40	GOUJON ELASTIQUE 6X40	SPANNHUELSE 6X40	PASADOR 6X40
17	F02150036	LINGUETTA 6X 6X 20 U6604A	PARALLEL KEY 6X 6X 20 U6604A	LANGUETTE 06X6X20 UNI6604	FEDER KEIL 06X6X20 UNI6604	LENGSETA 06X6X20 UNI6604
18	F04010310	CUSC.D35 D55 B10 61907 2RZ	BEARING D35 D55 B10 61907 2RS	PALIER 61907-2RZ	LAGER 61907-2RZ	COJINETE 61907-2RZ
19	F06260042	SCAT.CAMBIO 16V R1,87				
20	G22500092	SUPPORTO CUSCINETTO	BEARING SUPPORT	SUPPORT PALIER	LAGERBsCHSE	SOPORTE COJINETE
21	G22500091	BOCCOLA CUSCINETTO	BEARING BUSHING	BOITE PALIER	LAGERBsCHSE	CASQUILLO COJINETE
22	G13731330	TUBO Q. 20X1,2X 250				
23	G16630790	INGR.Z8 5/8X3/8 TENDICAT.COMPL	GEAR Z8 5/8X3/8 CHAIN			
24	G17130140	LEVA CAMBIO ZN	GEAR LEVER	LEVIER BOITE DE VITESSE	GETRIEBE HEBEL	PALANCA DE CAMBIO
25	G17131370	FERMO DI LAMIERA Q.20 COMPL	BLOCK PLATE Q.20 COMPLETE			
26	G17630050	QUADRO SUPPORTO PIGNONE ZN				
27	G17630800	CARTER TRASMISSIONE				
28	G17630810	SUPPORTO TRASMISSIONE				
29	F06080231	CATENA 5/8 ISO 10B 56 MAGLIE	CHAIN- ISO 10B-1 56 LINKS	CHAINE ISO 10B-1 56 MAILLES	KETTE ISO 10B-1 56 GLIEDER	CADENA ISO 10B-1 56 ESLABONES
30	F06080162	CATENA 5/8 ISO 10B 54 MAGLIE	CHAIN ISO 10B-1 54 LINKS	TRONCON CHAINE ISO10B-1 54MA.	KETTENZNGE ISO 10B-1 54 GLIED	TRECHO CADENA ISO 10B-1 54 ESL
31	G17631390	ASSE TRASM.L. 250 Q.20				
32	G17732200	PIGNONE Z10 5/8-3/8 Q20 ZN	PINION Z10 5/8-3/8 ZN			
33	G17732210	PIGNONE Z16 5/8-3/8 Q20 ZN	PINION Z16 5/8-3/8 ZN			
34	G17631290	CARDANO EST.L.1100 Q16				
35	G17732220	PIGNONE Z23 5/8-3/8 Q.20 ZN	PINION Z23 5/8-3/8 Q.20 ZN			
36	G17732240	RONDELLA 32XQ.20,5X6 ZN	WASHER 32XQ.20,5X6 ZN			
37	G15835330	TENDICATENA ZN	CHAINSTRETCHER ZN			
38	G17733271	BOCCOLA Q.20 CAMBIO ZN				
39	G17733360	PIGNONE Z12 5/8-3/8 Q.20 ZN	PINION Z12 5/8-3/8 Q.20 ZN			
40	G20970032	RONDELLA 32X4X8,5	WASHER 32X4X8-5	RONDELLE 32X4X8-5	UNTERLEGSCHIEBE 32X4X8-5	ARANDELA 32X4X8-5
41	G18801490	BOCCOLA 8,25 X14 X23 ZN	BUSHING 8,25 X 14 X 23 GALVA	BOITE 8,25X14 X23 ZN	BsCHSE 8,25X14 X23 ZN	CASQUILLO 8,25X14 X23 ZN
42	G18903290	MOLLA TRAZ.CAMBIO M	TRACTION SPRING- GEARS M	RESSORT TRACT. BOITE VITESSE M	ZUGFEDER GETRIEBE M	MUELLE TRAC. CAMBIO M
43	F01410100	ROS.M16 17X 30X 3 U6592 ZN	WASHER M16 17X30X3 U6592 ZN	RONDELLE M16 17X30X3 U6592 ZN	SCHIEBE M16 17X30X3 U6592 ZN	ARANDELA M16 17X30X3 U6592 ZN
44	F20110831	CAV.Q.M16X 2X 60 196X213				
45	F01230085	DADO M16X 2 D982 8 ZN	NUT M16X 2 D982 8 ZN	ECROU M16X 2 D982 8 ZN	MUTTER M16X 2 D982 8 ZN	TUERCA M16X 2 D982 8 ZN
46	F01030060	VITE M 8X1,25X35 U5933 10.9 ZD	BOLT M8X1,25X35 U5933 8.8 ZD	VIS 8X35 5933 8.8 ZN	SCHRAUBE 8X35 5933 8.8 ZN	TORNILLO 8X35 5933 8.8 ZN
47	G17631300	CARDANO INT.L.1100				
48	F01030097	VITE M10X1,5X 40 U5933 10.9 ZD				
49	G20980072	BOCCOLA 10,25X16X8,5	BUSHING 10,25X16X8,5	BOITE 10-25X16X8-5	BsCHSE 10-25X16X8-5	CASQUILLO 10-25X16X8-5
50	G18800260	BOCCOLA 10,5X18X6 ZN	BUSHING 10,5X18X6 ZN			
51	F01230048	>DADO M10X 1,5 D982 8 ZN	NUT M10X 1,5 D982 8 ZN	ECROU M10X 1,5 D982 8 ZN	SCHIEBE M10X 1,5 D982 8 ZN	TUERCA M10X 1,5 D982 8 ZN
52	G18801580	BOCCOLA 8,5 X15 X10 ZN	BUSH 8,5 X15 X10	DOUILLE 8,5 X15 X10	BUCHSE 8,5 X15 X10	MANGUITO 8,5 X15 X10
53	F01200011	DADO M 5X 0.8 U5587 6.8 ZN	NUT M 5X 0.8 U5587 6.8 GALVANIZED	ECROU 5 5587 6.8 ZN	MUTTER 5 5587 6.8 ZN	TUERCA 5 5587 6.8 ZN
54	F01020024	VITE M5X0,8X40 U5737 8.8 ZN	BOLT M5X0,8X40 U5737 8.8 ZN	VIS 5X40 5737 8.G ZN	SCHRAUBE 5X40 5737 8.G ZN	TORNILLO 5X40 5737 8.G ZN
55	G22220085	SNODO	ARTICULATION	ARTICULATION	GELENK	ARTICULACION
56	G22250276	ASSE TRASM.SEMINAT.L.2200 SV	AXLE- SEEDING MACH. GEARBOX L.	AXE ENTRAINEMENT SEMEUR L. 2200	ACHSE SZELEMENT-ANTRIEB.L.2200	EJE TRANS.SEMBR. L.2200 SV
57	G13732200	ASSE TRASMISSIONE L.2485	TRANSMISSION AXLE L2485	AXE TRANSMISSION L.2485	sBERTRAGUNGSACHSE L.2485	EJE TRANSMISIN L 2485 A
58	G15273750	ASSE TRASM.L.2800	TRANSMISSION SHAFT L. 2800	AXE TRANSMISSION L.2800	ANTRIEBSACHSE L.2800	EJE TRASM.L.2800
59	G22230141	ASSE SEMINAT.6F.CM.80 L.2000	AXLE-6-ROW SEEDER MACH.L.2000	AXE SEMEUR 6 RANGEES CM. 80 L.	ACHSE SZAELEMENT 6 R.CM.80 L.2	EJE SEMBR. 6 FILAS. CM.80 L.20
60	G22250031	ASSE TRASM.SEMINAT.L.3200 SV	AXLE- SEEDING MACH. GEARBOX L.	AXE ENTRAINEMENT SEMEUR L.3200	ACHSE SZELEMENTANTRIEB .L.3200	EJE TRANS.SEMBR. L.3200 SV
61	G17631490	CARDANO EST.L. 800 Q16				
62	G17631470	CARDANO INT.L. 800 D25				
63	G19707504	DECAL.TAB.SEMINA RENATA-ROMINA				
64	G17131750	RONDELLA Q.20,5 X32 X3 ZN				



TRAMOGGIA FERTILIZZANTE
TAV. 191

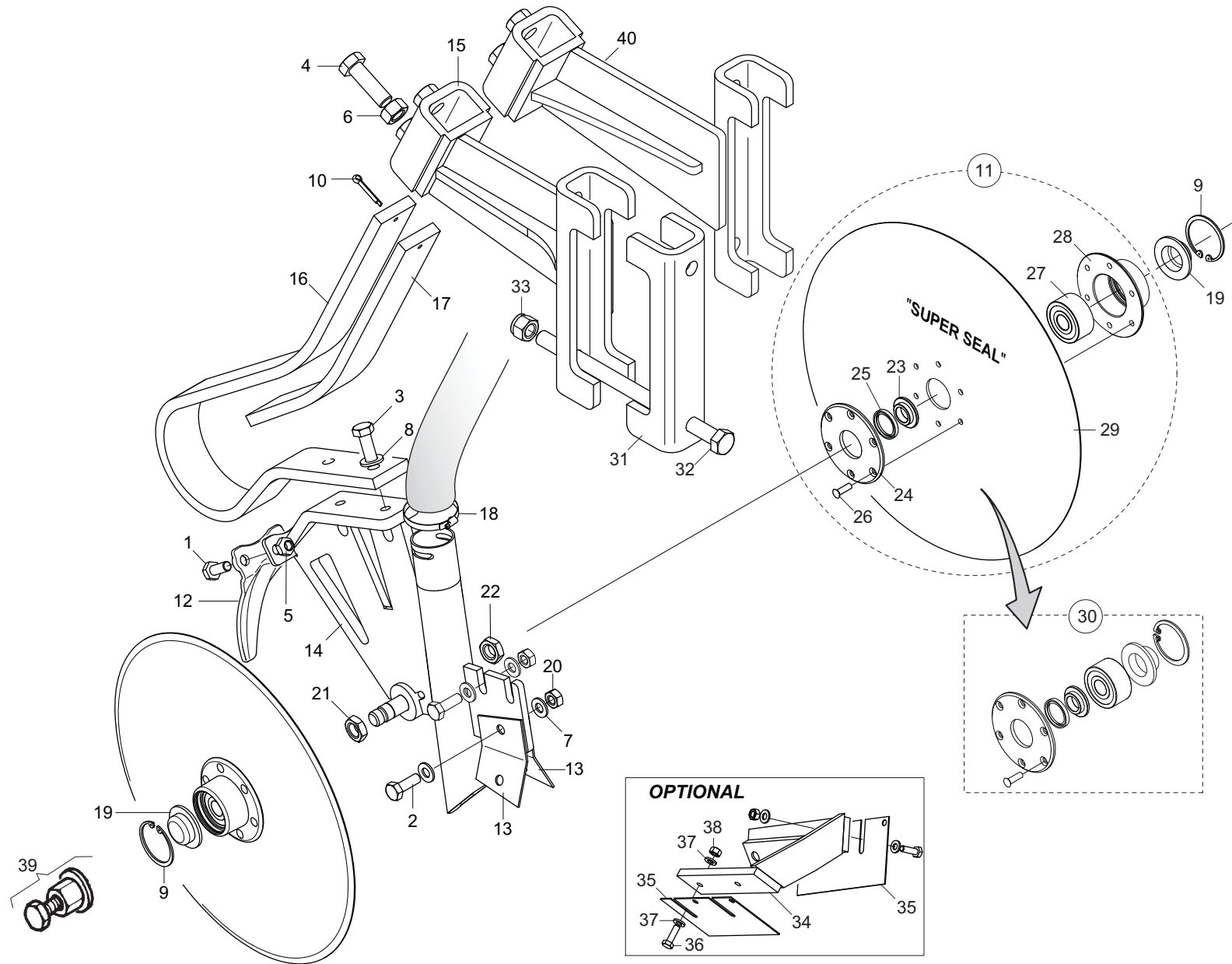
Pos.	Cod.	Descrizione	Description	Description	Benennung	Description
1	F01020071	VITE M8X1,25X45 U5737 A2 IX	BOLT 8 X45 5737 IX	VIS 8 X45 5737 8.G IX	SCHRAUBE 8 X45 5737 8.G IX	TORNILLO 8 X45 5737 8.G IX
2	F01020410	VITE M 6X 1X 30 U5739 A2 IX				
3	F01020457	VITE M8 X1,25X20 U5739 A2 IX	BOLT M8 X1,25X 20 U5739 8.8 IX	VIS M8 X1,25X 20 U5739 8.8 IX	SCHRAUBE M8 X1,25X 20 U5739 8.	TORNIL. M8 X1,25X 20 U5739 8.8
4	F01030039	VITE M6X1X25 U5933 A2 IX	BOLT 6X25 5933	VIS 6X25 5933	SCHRAUBE 6X25 5933	TORNILLO 6X25 5933
5	F01060039	VITE M8X1,25X20 U5732 A2 IX	BOLT 8X20 5732 4.6	VIS 8X20 5732 4.6	SCHRAUBE 8X20 5732 4.6	TORNILLO 8X20 5732 4.6
6	F01060096	BUL.M12X1,75X 50 U5732 A2 IX				
7	F01060130	BUL.M12X1,75X 30 U5732 A2 IX				
8	F01200295	DADO M12X1,75 U5588 A2 IX				
9	F01230024	DADO M 6X 1 D982 A2 IX	NORM.SELF-LOCKING NUT 10	ECROU AUTOB.NOR.10	SELBSTSP. MUTTER NOR. 10	TUERCA AUTOB. NOR. 10
10	F01230032	DADO M 8X1,25 D982 A2 IX	NUT M 8X1,25 D982 A2 IX	ECROU M 8X1,25 D982 A2 IX	MUTTER M 8X1,25 D982 A2 I	TUERCA M 8X1,25 D982 A2 I
11	F01230061	DADO M12X1,75 D982 A2 IX				
12	F01260032	DADO FLANG.M8 D6923 A2 IX	NUT FLANG. M8 D6923 A2 IX	ECROU FLANG. M8 D6923 A2 IX	MUTTER FLANG. M8 D6923 A2 IX	TUERCA FLANG. M8 D6923 A2 IX
13	F01410077	ROS.M12 13X 24X2,5 U6592 IX				
14	F01410101	ROS.M16 17X 30X 3 U6592 IX				
15	F01420047	ROS.M8 8,4X 24X 2 U6593 IX	WASHER M8 8,4X24X2 U6593 IX	RONDELLE M8 8,4X24X2 U6593 IX	SCHEIBE M8 8,4X24X2 U6593 IX	ARANDELA M8 8,4X24X2 U6593 IX
16	F06080487	CATENA AGGANCIO TELO IN GOMMA	RUBBER FRAME CONNECTION CHAIN	CHA+NE ACCROCHAGE TOILE EN CAO	KETTE BEFESTIGUNG GUMMITUCH	CADENA ENGANCHE LONA DE CAUCHO
17	G16121280	TUBO D.33,7X2 X1550				
18	G17670260	COLLETTORE 4U				
19	G17670390	LAMIERA SUPP.DOSATORI 3U				
20	G17670550	SUPPORTO INT.SUP.SPANDI				
21	G17670560	SUPPORTO INT.INF.SPANDI				
22	G17670570	PIASTRA INT.FISS.SPANDI				
23	G17723270	DOSATORE GRANULARE FERTISYSTEM				
24	G17772490	GANCIO A FUNGO NERO				
25	G17772950	GRIGLIA SUP.SPA 1000L				
26	G17772990	TELO DI COPERTURA SERB.L1000				
27	G17773000	PIATTO AGGANCIO TELO				
28	G17773010	TUBO D.12X1,5X1600				
29	G18902270	GUIDATUBO ZN TEL	TUBE GUIDE ZN TEL			
30	G19006970	SERBATOIO SPA PLA 800LT-2U				
31	G17620420	LAMIERA SUPP.DOSATORI 4U				
32	F01230073	DADO M14X 2 D982 8 ZN	SELF LOCK. NUT M14X2 D982 8 ZN	ECROU AUTOBL. M14X2 D982 8 ZN	SELBSTSP.MUTT. M14X2 D982 8 ZN	TUERCA AUTOBL. M14X2 D982 8 ZN
33	F01410088	ROS.M14 15X 28X2,5 U6592 ZN	WAS.M14 15X 28X2,5 U6592 ZB	RON.M14 15X 28X2,5 U6592 ZB	SCH.M14 15X 28X2,5 U6592 ZB	ARA.M14 15X 28X2,5 U6592 ZB
34	F20110774	CAV.Q.M14X 2X 50 135X120				
35	G17670200	SUPPORTO SPANDI				
36	F01230085	DADO M16X 2 D982 8 ZN	NUT M16X 2 D982 8 ZN	ECROU M16X 2 D982 8 ZN	MUTTER M16X 2 D982 8 ZN	TUERCA M16X 2 D982 8 ZN
37	F01410100	ROS.M16 17X 30X 3 U6592 ZN	WASHER M16 17X30X3 U6592 ZN	RONDELLE M16 17X30X3 U6592 ZN	SCHEIBE M16 17X30X3 U6592 ZN	ARANDELA M16 17X30X3 U6592 ZN
38	F20110831	CAV.Q.M16X 2X 60 196X213				
39	F03100506	TUBO EOLO PU D.45	TUBE EOLO PU D.45	TUBE EOLO PU D.45		
40	F02300020	FASCETTA STRING. 32/50 H.9	STRING FASTEN.STRAPS 32/50 H.9	COLLIER 32/50 H.9	SCHELLE 32/50 H.9	ABRAZADERA 32/50 H.8
41	G19708290	DECAL.TAB.DISTRIBUZIONE				
42	G17670510	COLLETTORE ARIA Y				
43	G17670300	TAPPO COLLETTORE 4U				
44	F01020420	VITE M6X1X20 U5739 A2 IX	BOLT M6 X1 X 20 U5739 8.8 IX	VIS M6 X1 X 20 U5739 8.8 IX	SCHRAUBE M6X1X20 U5739 A2 IX	TORNIL. M6 X1 X 20 U5739 8.8
45	F01200233	DADO M 6X 1 U5588 A2 IX	NUT M 6X 1 U5588 IX	ECROU M 6X 1 U5588 I	MUTTER M 6X 1 U5588	TUERCA M 6X 1 U5588
46	F07100132	MOUSSE ADESIVA MM 5X3				
47	F02350080	FASCETTA AC104-112 W2 ZN C.VIT				



DISTRIBUTORE FERTISYSTEM

TAV. 200

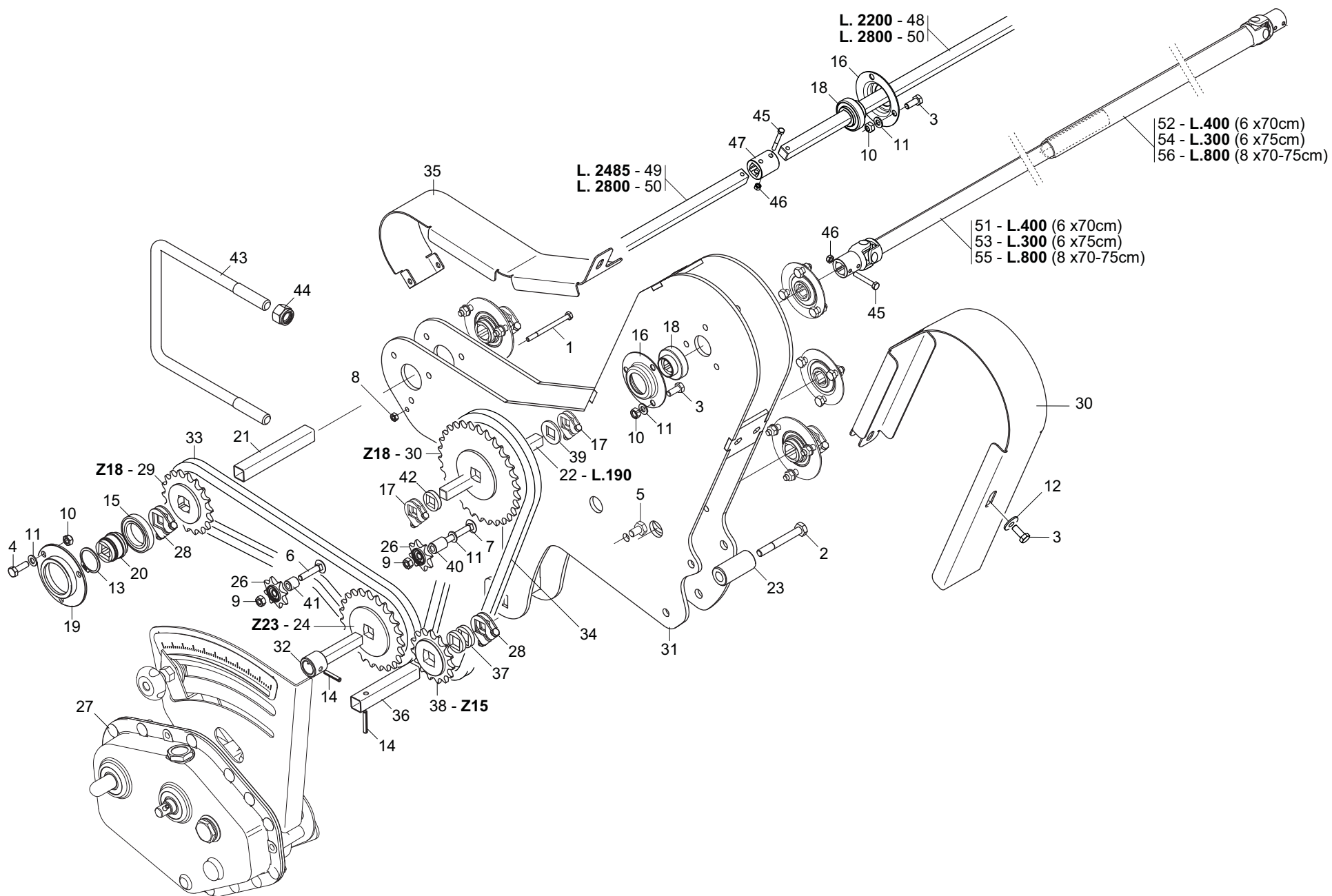
Pos.	Cod.	Descrizione	Description	Description	Benennung	Descripcion
1	F11090002	TAPPO ALTA CAPACITÀ				
2	F11090003	STABILIZZATORE FLUSSO ALTO				
3	F11090004	STABILIZZATORE FLUSSO MEDIO				
4	F11090005	STABILIZZATORE FLUSSO STANDARD				
5	F11090006	TUBO DI ESCLUSIONE	HOPPER COVER			
6	F11090037	KIT ASSE VITE DOSAGGIO				
7	F11090040	KIT SCARICO C/PORTINA				
8	F11090007	VITE DOSAGGIO 2"RH				
9	F11090008	O-RING 3,5X17,5				
10	F11090009	RONDELLA FORO QUADRO IX				
11	F11090010	CILINDRO INTERNO				
12	F11090011	FELTRO				
13	F11090012	RONDELLA PULITORE				
14	F11090013	ASSE RIVESTITO				
15	F11090014	CORPO DOSATORE				
16	F11090036	KIT PROTEZIONE VITE DOSAGGIO				
17	F01020432	VITE M 8X1,25X16 U5739 8.8 ZN	BOLT M8X 1.25X16 U5739 8.8 ZN	VIS M 8X16	SCHRAUBE M 8X16	TORNILLO M 8X16
18	F11090041	DADO M8 AUTOBLOCCANTE				
19	F11090020	MOLLA CHIUSURA				
20	F11090021	ANELLO OR FK 3,5X35 - REF 2219				
21	F11090022	BOCCOLA FORO QUADRO FISSAGGIO				
22	F11090023	SCARICO DISTRIBUTORE				
23	F11090024	PIGNONE CONICO MOTORE				
24	F11090042	RONDELLA M30				
25	F11090025	CUSCINETTO 6006 2RS				
26	F11090043	VITE M8X25 CON RONDELLA				
27	F11090027	BOCCOLA PIGNONE CONDOTTO				
28	F11090028	ANELLO TENUTA 0952 BRG 30X52X8				
29	F11090029	PIGNONE CONICO 30 MM CONDOTTO				
30	F11090039	KIT SUPPORTO C/INGRANAGGI				
31	F11090031	ANELLO DI PROTEZIONE				
32	F11090030	SUPPORTO PIGNONE MOTORE				
33	F11090033	TUBO FISSATORE	FIXING TUBE			
34	F11090034	TUBO MANUTENZIONE	CLEANING TUBE			



ELEMENTI DI CONCIMAZIONE

TAV. 210

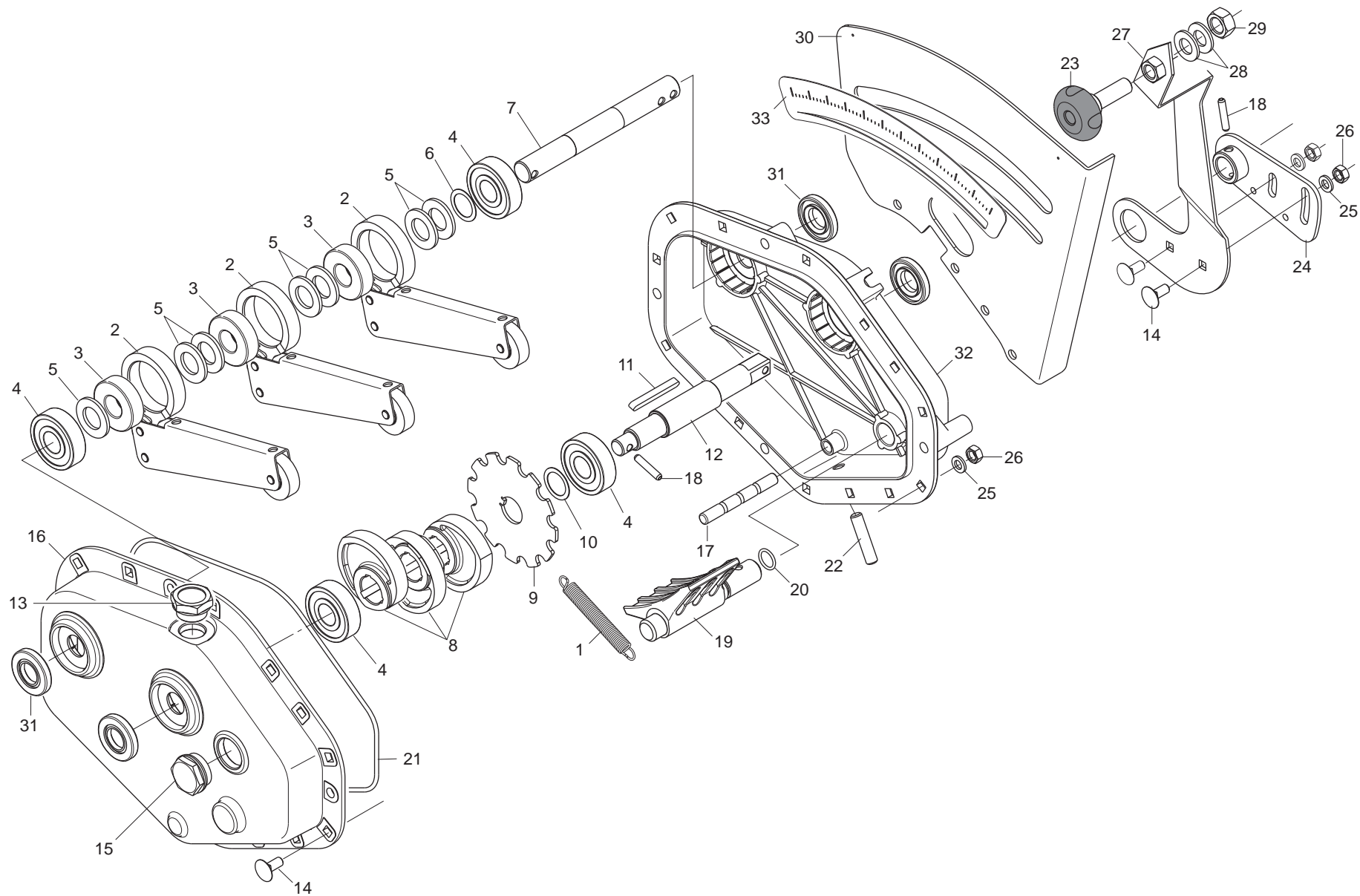
Pos.	Cod.	Descrizione	Description	Description	Benennung	Descripcion
1	F01020472	VITE M10X1,5X25 U5739 8.8 ZN	BOLT 10X25 5739 8.G GALVANIZED	VIS 10X25 5739 8.G ZN	SCHRAUBE 10X25 5739 8.G ZN	TORNILLO 10X25 5739 8.G ZN
2	F01020476	VITE M10X1,5X30 U5739 8.8 ZN	BOLT M10X1,5 X 30 5739 8.8 ZN	VIS M10X1,5 X 30 5739 8.8 ZN	SCHRA. M10X1,5X 30 5739 8.8 ZN	TORN. M10X1,5 X 30 5739 8.8 ZN
3	F01020512	VITE M12X1,75X35 U5739 8.8 ZN	BOLT M12X1,75X35 5739 8.8 ZN	VIS M12X1,75X35 5739 8.8 ZN	SCHR. M12X1,75X35 5739 8.8 ZN	TORN. M12X1,75X35 5739 8.8 ZN
4	F01020252	VITE M16X2X50 U5737 8.8 ZN	BOLT M16X 2X 50 U5737 8.8 ZN	VIS M16X 2X 50 U5737 8.8 ZN	SCHRAUBE M16X2X50 U5737 8.8 ZN	TORNILLO M16X2X50 U5737 8.8 ZN
5	F01220033	DADO M10X 1,5 D980 8 ZN	NUT M10X 1,5 D980 8 ZN	ECROU M10X 1,5 D980 8 ZN	MUTTER M10X 1,5 D980 8 ZN	TUERCA M10X 1,5 D980 8 ZN
6	F01200324	DADO M16X 2 U5588 8.8 ZN	NUT M16X2 U5588 8.8 ZN	ECROU M16X2 U5588 8.8 ZN	MUTTER M16X2 U5588 8.8 ZN	TUERCA M16X2 U5588 8.8 ZN
7	F01410064	ROS.M10 10,5X 20X 2 U6592 ZN	WASHER M10 10,5X20X2 U6592 ZN	RONDELL.M10 10,5X20X2 U6592 ZN	SCHEIBE M10 10,5X20X2 U6592 ZN	ARAND. M10 10,5X20X2 U6592 ZN
8	F01410076	ROS.M12 13X 24X2,5 U6592 ZN	WASHER D12 U6592 ZN	RONDELLE D12 U6592 ZN	SCHEIBE D12 U6592 ZN	ARANDELA D12 U6592 ZN
9	F02050370	ANELLO E. DI 47X1,75 U7437 C70	SEEGER RING 47X 1,75 U7437 C70	SEEGER E. 47X 1,75 U7437 C70	SEEGERING E. 47X1,75 U7437 C70	ANILLO E. 47X 1,75 U7437 C70
10	F02200227	COPIGLIA 5X 30 U1336 ZN	PIN 5X 30 U1336 ZN			
11	G15225500	DISCO ASSOLC.PROTETTO COMPL.	FULLY PROTECTED DISC COULTER			
12	G15225861	PROTEZIONE DISCHI				
13	G15472301	RASCHIATERRA INTERNO	INTERNAL SCRAPER SOIL			
14	G16670271	SUPPORTO DISCHI CONCIMAZ.	DISK SUPPORT FERTILIZER			
15	G17620330	SUPPORTO DISCO CONC.DX	FERTILIZER DISC SUPPORT DX			
16	G18903821	MOLLA CONCIMAZIONE	FERTILIZER SPRING			
17	G18903901	RINFORZO MOLLA CONCIMAZIONE				
18	F02300020	FASCETTA STRING. 32/50 H.9	STRING FASTEN.STRAPAS 32/50 H.9	COLLIER 32/50 H.9	SHELLE 32/50 H.9	ABRAZADERA 32/50 H.8
19	G66248248	TAPPO IN PLASTICA	PLASTIC PLUG	BOUCHON EN PLASTIQUE	PLASTIKPFROPFEN	TAPN DE PLÆSTICO D
20	F01200270	DADO M10X 1,5 U5588 6.8 ZN	NUT M10X 1,5 U5588 6.8 ZN	ECROU M10X 1,5 U5588 6.8 ZN	MUTTER M10X 1,5 U5588 6.8 ZN	TUERCA M10X 1,5 U5588 6.8 ZN
21	G15220540	DADO M16X1,5 SX ZN	NUT M16X1,5 LEFT	ECROU M16X1-5 GCH	MUTTER M16X1-5 LI	TUERCA M16X1-5 IZQ
22	F01200442	DADO M16X 1,5 U5589 6.8 ZN	NUT 16X1-5 UNI 5589 6.8 GALVAN	ECROU 16X1-5 UNI 5589 6.8 ZN	MUTTER 16X1-5 UNI 5589 6.8 ZN	TUERCA 16X1-5 UNI 5589 6.8 ZN
23	G15225490	BOCCOLA PARAP.DISCO PROTETTO	BUSHING PARAP.DISCO PROTETTO	BOITE PARAP.DISCO PROTETTO	BUCHSE PARAP.DISCO PROTETTO	MANGUITO PARAP.DISCO PROTETTO
24	G15225480	FLANGIA INT.DISCO PROTETTO ZN	INNER DISK FLANGE	BRIDE INT. DISQUE	INNENFLANSCH SCHEIBE	BRIDA INTERIOR DISCO
25	F03011075	AN. TENUTA B1OF 24X32X4	SEALING RING 24X32X4	BAGUE D'ETANCHEITE 24X32X4	DICHTUNGSRING 24X32X4	ANILLO AISLADOR 24X32X4
26	F02250521	RIBATTINO TSC 6 X19,8 A/2	RIVET TSC 6X19,8 A/2 BY PIECE	PAQUET RIVETS TSC 6X 19,8 A/2	PACKUNG NIETEN TSC 6X19,8 A/2	PAQU.REMACHES TSC 6X 19,8 A/2
27	F04010084	CUSC.D17D47 B22,2 3303 LLU/DDU	BEARING 3303 2RS	PALIER 3303 2RS	LAGER 3303 2RS	COJINETE 3303 2RS
28	G15223651	SUPPORTO CUSCINETTO DISCO	DISK BEARING SUPPORT	SUPPORT PALIER DISQUE	SCHEIBENLAGERBsCHSE	SOPORTE COJINETE DISCO
29	G13825091	DISCO ASSOLCATORE D.373	FURROW OPENER DISK D.373	DISQUE SOC D. 373 6 T.D.6	SCHEIBE SZSCHARENREISSER D.373	DISCO SURCADOR D.373
30	G15226600	KIT X DISCO SUPER SEAL	SUPER-SEAL DISC KIT			
31	G17714320	SCONTRO A U SP.10 2F16,5 197				
32	F01020389	VIT.M16X 2X260 U5737 8.8				
33	F01230085	DADO M16X 2 D982 8 ZN	NUT M16X 2 D982 8 ZN	ECROU M16X 2 D982 8 ZN	MUTTER M16X 2 D982 8 ZN	TUERCA M16X 2 D982 8 ZN
34	G15472290	SUPPORTO RASCHIAT.DISCHI CONC.	FERTIL DISKS SOIL SCRAPER SUPP	SUPP. RACLEUR DISQUES FUMAGE	HALTER. ERDSCHABER DsNGUNGSSCH	SOPORTE RASCADOR DISCOS ABONO
35	G15422231	RASCHIATERRA DISCO	SCRAPER DISK			
36	F01020403	VITE M6X1X16 U5739 8.8 ZN	BOLT M6X1X16 U5739 8.8 ZN	VIS M6X1X16 U5739 8.8 ZN	SCHRAUBE M6X1X16 U5739 8.8 ZN	TORNILLO M6X1X16 U5739 8.8 ZN
37	F01420036	ROS.M6 6,4X 18X 2 U6593 ZN	FLAT WASHER 6-6X 18X2 6593 ZN	ROND. PLATE 6-6X 18X2 6593 ZN	SCHEIBE 6-6X 18X2 6593 ZN	ARAND. PLANA 6-6X 18X2 6593 ZN
38	F01200232	DADO M 6X 1 U5588 6.8 ZN	NUT 6 UNI 5588 6.8 GALVANIZED	ECROU 6 UNI 5588 6.8 ZN	MUTTER 6 UNI 5588 6.8 ZN	TUERCA 6 UNI 5588 6.8 ZN
39	G15225240	ESTRATTORE DISCHI ELEMENTO MT	SEED PLATE EXTRACTOR ELEM. MT	EXTRACTEUR DISQUE ELEMENT MT	SCHEIBENAUSZIEHER ELEMENT MT	EXTRACTOR DISCOS ELEMENTO MT
40	G17620300	SUPPORTO DISCO CONC.SX	FERTILIZER DISC SUPPORT SX			



TRASMISSIONE FERTILIZZANTE

TAV. 221

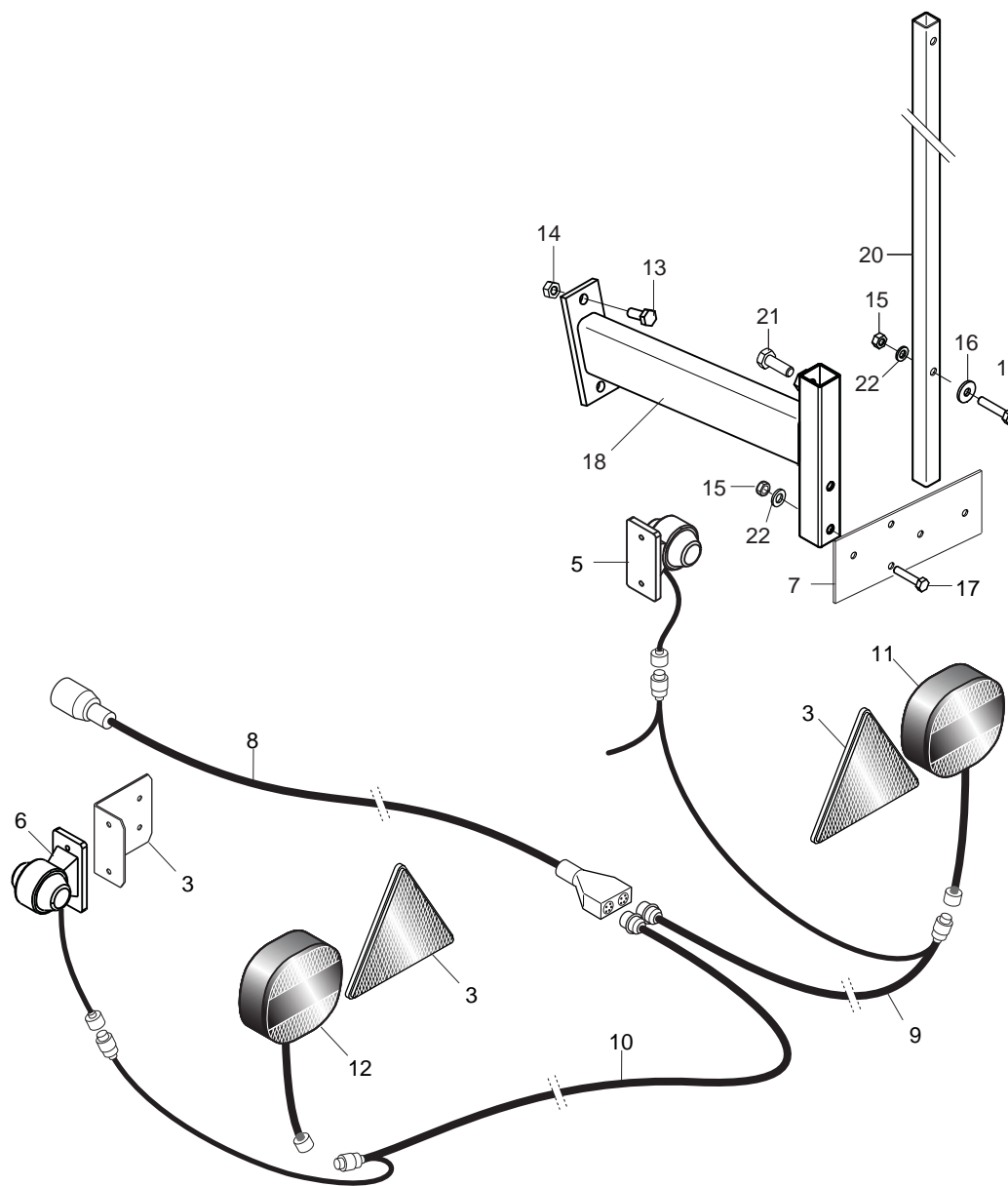
Pos.	Cod.	Descrizione	Description	Description	Benennung	Descripcion
1	F01020050	VITE M6X1X80 U5737 8.8 ZN	BOLT M6X 1X80 U5737 8.8 ZN	VIS 6 X80 5737 8.G ZN	SCHRAUBE 6 X80 5737 8.G ZN	TORNILLO 6 X80 5737 8.G ZN
2	F01020128	VITE M10X1,5X80 U5737 8.8 ZN	BOLT M10X1,5X80 U5737 8.8 ZN	VIS M10X1,5X80 U5737 8.8 ZN	SCHRAUBE M10X1,5X80 U5737 8.8 ZN	TORNIL.M10X1,5X80 U5737 8.8 ZN
3	F01020436	VITE M 8X1,25X20 U5739 8.8 ZN	BOLT M8X1,25X20 U5739 8.8 ZN	VIS M8X1,25X20 U5739 8.8 ZN	SCHRA. M8X1,25X20 U5739 8.8 ZN	TORN. M8X1,25X20 U5739 8.8 ZN
4	F01020440	VITE M 8X1,25X25 U5739 8.8 ZN	BOLT M8X1,25X25 U5739 8.8 ZN	VIS M8X1,25X25 U5739 8.8 ZN	SCHRA. M8X1,25X25 U5739 8.8 ZN	TORNIL.M8X1,25X25 U5739 8.8 ZN
5	F01020468	VITE M10X1,5 X16 U5739 8.8 ZN	BOLT M10X1,5 X16	RONDELLE M10X1,5 X16	DUEBEL M10X1,5 X16	TORNILLO M10X1,5 X16
6	F01060045	VITE M8X1,25X40 U5732 4.6 ZN	BOLT 8X40 5732 4.6 GALVANIZED	VIS 8X40 5732 4.6 ZN	SCHRAUBE 8X40 5732 4.6 ZN	TORNILLO 8X40 5732 4.6 ZN
7	F01060050	VITE M8X1,25X55 U5732 4.6 ZN	BOLT 8 X55 5732 4.6 GALVANIZED	VIS 8 X55 5732 4.6 ZN	SCHRAUBE 8 X55 5732 4.6 ZN	TORNILLO 8 X55 5732 4.6 ZN
8	F01200233	DADO M 6X 1 U5588 A2 IX	NUT M 6X 1 U5588 IX	ECROU M 6X 1 U5588 I	MUTTER M 6X 1 U5588	TUERCA M 6X 1 U5588
9	F01200244	DADO M 8X1,25 U5588 6.8 ZN	NUT M8 X1,25 U5588 6.8 ZN	ECROU M8 X1,25 U5588 6.8 ZN	MUTTER M8 X1,25 U5588 6.8 ZN	TUERCA M8 X1,25 U5588 6.8 ZN
10	F01220022	DADO M 8X1,25 D980 8 ZN	NUT M8X 1,25 D980 8 ZN	ECROU M8X 1,25 D980 8 ZN	MUTTER M8X 1,25 D980 8 ZN	TUERCA M8X 1,25 D980 8 ZN
11	F01410051	ROS.M8 8,4X 17X1,6 U6592 ZN	WASHER M8 8,4X17X1,6 U6592 ZN	RONDEL. M8 8,4X17X1,6 U6592 ZN	SCHIEBE M8 8,4X17X1,6 U6592 ZN	ARANDELA M8 8,4X17X1,6 U6592ZN
12	F01420048	ROS.M8 8,4X 24X 2 U6593 ZN	WASHER M8 8,4X 24X 2 U6593 ZN	RONDELLE M8 8,4X 24X2 U6593 ZN	SCHIEBE M8 8,4X 24X 2 U6593 ZN	ARANDELA M8 8,4X 24X2 U6593 ZN
13	F02050146	ANELLO E. DE 35X 1,5 U7435 C70	ELASTIC RING DE 35X 1,5 U7435	BAGUE ELASTIQUE DE 35X 1,5	RING DE 35X 1,5 U7435 C70	ANILLO DE 35X 1,5 U7435 C70
14	F02100115	SPINA E.P. 6X 30 U6873 C70 IX	PIN EL. 6X30 DIN 1481 S.STEEL*	GOUPILLE EL.6 X30 DIN 1481 IN	SPANNSTIFT 6 X30 DIN 1481 EDEL	CLAVIJA EL.6 X30 DIN 1481 INO
15	F04010311	CUSC.d35 D55 B10 61907 LLU				
16	G22230094	BEARING SUPPORT	BEARING SUPPORT	SUPPORT PALIER	LAGERBsCHSE	SOPORTE COJINETE
17	G22505085	FERMO ASSE IN LAMIERA	PLATE AXLE STOP	ARRET AXE EN TOLE	FESTSTELLVORRICHTUNG BLECHACHS	BLOQUEO EJE DE CHAPA
18	G14830390	CUSCINETTO FORO QUADRO	SQUARE-HOLED BEARING	ROULEMENT AL+SAGE CARR+	VIERKANTLAGER	COJINETE ORIFICIO CUADRADO
19	G22500092	SUPPORTO CUSCINETTO	BEARING SUPPORT	SUPPORT PALIER	LAGERBsCHSE	SOPORTE COJINETE
20	G22500091	BOCCOLA CUSCINETTO	BEARING BUSHING	BOITE PALIER	LAGERBsCHSE	CASQUILLO COJINETE
21	G15430340	ASSE INGRANAGGI L.144	GEAR SPINDLE L.144	AXE ENGRENAGES L144	ACHSE ZAHNRZDER L.144	EJE ENGRANAJES L.144
22	G22270127	ASSE RUOTA CAMBIO 2F.L.500 SP	WHEEL AXLE - GEARBOX 2-ROW L.	AXE ROUE BOITE DE VITESSE	GEBTRIEBERADACHSE 2R.L.500 SP	EJE RUEDA CAMBIO 2 FILAS. L.50
23	G16042160	BOCCOLA 18 X28 X58				
24	G16630410	PIGNONE Z-23 ZN.	PINION Z-23 ZN.	PIGNON Z-23 ZN.	RITZE Z-23 ZN.	PINION Z-23 ZN.
25	G16630430	PIGNONE Z-30 ZN.	PINION Z-30 ZN.	PIGNON Z-30 ZN.	RITZE Z-30 ZN.	PINION Z-30 ZN.
26	G16630790	INGR.Z8 5/8X3/8 TENDICAT.COMPL	GEAR Z8 5/8X3/8 CHAIN			
27	G16930921	SCATOLA CAMBIO CONC.PLA COMPL	COMPLETE GEAR BOX FERT.			
28	G17131370	FERMO DI LAMIERA Q.20 COMPL	BLOCK PLATE Q.20 COMPLETE			
29	G17131570	PIGNONE Z18 5/8-3/8 Q.20,5 ZN	PINION Z18 5/8-3/8 Q.20,5 ZN			
30	G17630860	LAMIERA SUP.CARTER				
31	G17630930	SUPPORTO CAMBIO FERTISYSTEM				
32	G17631000	ASSE TRASM.FERTISYSTEM				
33	F06080261	CATENA 5/8 ISO 10B 68 MAGLIE				
34	F06080178	CATENA 5/8 ISO 10B 70 MAGLIE	CUT-DOWN CHAIN 5/8 ISO 10B 70			
35	G17631380	LAMIERA INF.CARTER				
36	G17631410	TUBO Q. 20X1,2X 115 ZN				
37	G17732240	RONDELLA 32XQ.20,5X6 ZN	WASHER 32XQ.20,5X6 ZN			
38	G17732540	PIGNONE Z15 5/8-3/8 ZN	PINION Z15 5/8-3/8 ZN			
39	G18701620	RONDELLA 16,5 X35 X3 QU.ZN	WASHER 16.5 X 35 X 3- GALVAN.	RONDELLE 16-5 X35 X3 QU.ZN	UNTERLEGSCHIEBE 16-5 X35 X3 Q	ARANDELA 16-5 X35 X3 QU.ZN
40	G20980009	BOCCOLA 22 8,5X16	BUSHING 22X8,5X16	BOITE 22X8,5X16	BsCHSE 22X8,5X16	CASQUILLO 22X8,5X16
41	G18801520	BOCCOLA 8,25 X15 X14	BUSHING 8,25X15X14	BOITE 8,25X15X14	BsCHSE 8,25X15X14	CASQUILLO 8,25X15X14
42	G66248218	RONDELLA DISTAN.SPANDI	MAN. SPR. SPACER WASHER	RONDELLE ENTRETOISE EP. ENGRAI	ABSTANDSCHEIBE DsNGERSTREUER	ARANDELA DISTAN.ABONAD.
43	F20110831	CAV.Q.M16X 2X 60 196X213				
44	F01230085	DADO M16X 2 D982 8 ZN	NUT M16X 2 D982 8 ZN	ECROU M16X 2 D982 8 ZN	MUTTER M16X 2 D982 8 ZN	TUERCA M16X 2 D982 8 ZN
45	F01020024	VITE M5X0,8X40 U5737 8.8 ZN	BOLT M5X0,8X40 U5737 8.8 ZN	VIS 5X40 5737 8.G ZN	SCHRAUBE 5X40 5737 8.G ZN	TORNILLO 5X40 5737 8.G ZN
46	F01200011	DADO M 5X 0.8 U5587 6.8 ZN	NUT 5 5587 6.8 GALVANIZED	ECROU 5 5587 6.8 ZN	MUTTER 5 5587 6.8 ZN	TUERCA 5 5587 6.8 ZN
47	G22220085	SNODO	ARTICULATION	ARTICULATION	GELENK	ARTICULACIN A
48	G22250276	ASSE TRASM.SEMINAT.L.2200 SV	AXLE- SEEDING MACH. GEARBOX L.	AXE ENTRAINEMENT SEMEUR L. 220	ACHSE SZELEMENT-ANTRIEB.L.2200	EJE TRANS.SEMBR. L.2200 SV
49	G13732200	ASSE TRASMISSIONE L.2485	TRANSMISSION AXLE L2485	AXE TRANSMISSION L.2485	sBERTRAGUNGSACHSE L.2485	EJE TRANSMISIN L 2485 A
50	G15273750	ASSE TRASM.L.2800	TRANSMISSION SHAFT L. 2800	AXE TRANSMISSION L.2800	ANTRIEBSACHSE L.2800	EJE TRANSM.L.2800
51	G17631810	CARDANO INT.L. 400 Q16				
52	G17631250	CARDANO EST.L. 400 Q16				
53	G17613840	CARDANO INT.L. 300 Q16				
54	G17631240	CARDANO EST.L. 300 Q16				
55	G17631560	CARDANO INT.L. 800 Q16				
56	G17631490	CARDANO EST.L. 800 Q16				



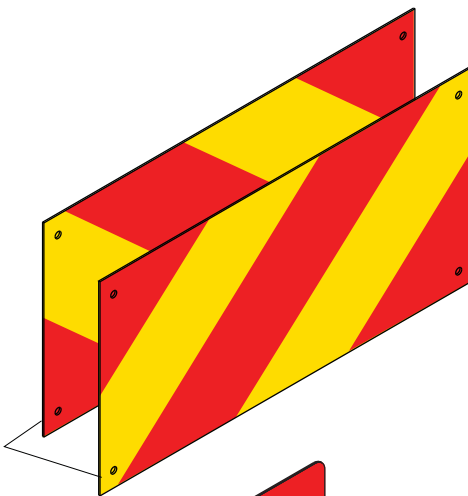
VARIATORE FERTILIZZANTE

TAV. 230

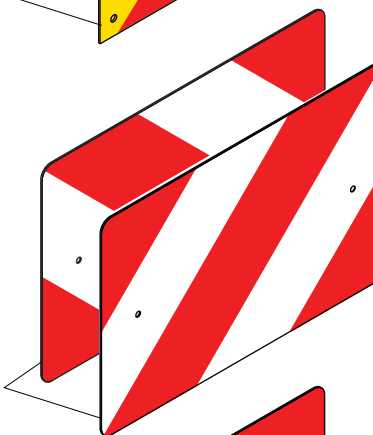
Pos.	Cod.	Descrizione	Description	Description	Benennung	Descripcion
1	G18903290	MOLLA TRAZ.CAMBIO M	TRACTION SPRING- GEARS M	RESSORT TRACT. BOITE VITESSE M	ZUGFEDER GETRIEBE M	MUELLE TRAC. CAMBIO M
2	G07000006	RIBADITURA BIELLA	CONNECTING ROD RIVETING	RIVETAGE BIELLE	PLEUEL EINNIETEN	REMACHADO BIELA
3	F06120065	RUOTA LIBERA KK20	FREE WHEEL	ROUE LIBRE	FREILAUF	RUEDA LIBRE
4	F04010207	CUSC.D20 D52 B15 6304 Z	BEARING D20 D52 B15 6304 Z	ROULEMENT D20 D52 B15 6304	LAGER D20 D52 B15 6304 Z	COJINETE D20 D52 B15 6304 Z
5	F01410124	ROS.M20 21X 37X 3 U6592 ZN	WASHER M20 21X37X3 U6592 ZN	RONDELLE M20 21X37X3 U6592 ZN	SCHEIBE M20 21X37X3 U6592 ZN	ARANDELA M20 21X37X3 U6592 ZN
6	G20970100	RONDELLA 30X0,5X22 ACC.	WASHER 30X0-5X22 ACC.	RONDELLE 30X0-5X22 ACIER	UNTERLEGSCHIEBE 30X0-5X22 ACC.	ARANDELA 30X0-5X22 ACC.
7	G16230530	ALBERO RUOTA LIBERA C.PLA BON.	FREE-WHEEL SHAFT	ARBRE ROUE LIBRE	LOSRADWELLE	LOSRADWELLE
8	G07000014	CAMMA CAMBIO BAGNO OLIO	OIL BATH GEARBOX CAM	CAME BOITE DE VIT. BAIN HUILE	NOCKEN GETRIEBE TLBAD	LEVA CAMBIO BA%O ACEITE
9	G16230520	RUOTA FONICA	PHONIC WHEEL	ROUE PHONIQUE	TONRADES	RUEDA FÓNICA
10	F01440079	ROND.RASAM.26,2X34,8X0,5 IX	WASHER D.26,2X34,8X0,5	RONDELLE D.26,2X34,8X0,5	UNTERLEGSCHIEBE D.26,2X35X0,5	ARANDELA D.26,2X34,8X0,5
11	F02150040	LINGUETTA 6X 6X 55 U6604A	PARALLEL KEY 6X 6X 55 U6604A	LANGUETTE 06X6X55 UNI 6604/A	FEDERKEIL 06X6X55 UNI 6604/A	LENGSETA 06X6X55 UNI 6604/A
12	G16930930	ALBERO CAMMES CAMBIO PLA ZN				
13	F03150706	TAPPO OLIO 3/4" MODELLO TC/6				
14	F01060040	VITE M8X1,25X20 U5732 4.6 ZG	BOLT M8X1,25X20 U5732 4.6 ZN	VIS M8X1,25X20 U5732 4.6 ZN	SCHRA. M8X1,25X20 U5732 4.6 ZN	TORN. M8X1,25X20 U5732 4.6 ZN
15	F03150736	TAPPO LIVELLO M30X1,5 HFE 22	OIL LEVEL PLUG M30X1,5 HFE 22	BOUCHON NIV. M30X1-5 HFE 22	STANDSCHRAUBE M30X1-5 HFE 22	TAPN NIVEL M30X1-5 HFE 22 D
16	G19005720	COPERCHIO CAMBIO	GEARBOX COVER	COUVERCLE BOITE DE VITESSE	WECHSELGETRIEBEBEDECKEL	TAPACAMBIO
17	G16230550	PERNO SUPPORTO MOLLE	PIN	GOUJON	STIFT	PERNO
18	F02100114	SPINA E.P. 6X 30 U6873 C70 BR	ELASTIC PIN 6X30	GOUJON ELASTIQUE 6X30	SPANNHUELSE 6X30	ESPINA ELASTICA 6X30
19	G16230561	REGOLATORE CAMBIO				
20	F03010390	ANELLO OR 15,08X2,26 NBR	O-RING 15,08X2,26 NBR	GARNITURE OR 15,08X2,26 NBR	DICHTUNG OR 15,08X2,26 NBR	JUNTA OR 15,08X2,26 NBR
21	F03010721	ANEL. OR 247,24X3,53 NBR	RING OR 247,24X3,53 NBR			
22	F01050104	VITE M10X1,5X45 U5927 14.9 BR	GRUB--BOLT 10X45 5927 14.9	GOUJON 10X45 5927 14.9	STIFT 10X45 UNI 5927 14.9	TORNILLO SIN CABEZA 10X45 5927
23	F06220014	VOLANTINO 8 LOBI M12X40 SX	8-LOBE HANDWHEEL M12X40 LEFT	VOLANT 8 LOBES M12X40 GCH	HANDRAD 8 BUCKEL M12X40 LINKS	VOLANTE 8 LOBI M12X40 IZQ
24	G16230590	ASS.SUPP.LEVA REGOLAZIONE ZN	ADJUSTMENT LEVER SUPPORT	LEVIER REGLAGE SUPPORT	EINSTELLHEBEL HALTERUNG	SOPORTE PALANCA REGULACION
25	F01410051	ROS.M8 8,4X 17X1,6 U6592 ZN	WASHER M8 8,4X17X1,6 U6592 ZN	RONDEL. M8 8,4X17X1,6 U6592 ZN	SCHEIBE M8 8,4X17X1,6 U6592 ZN	ARANDELA M8 8,4X17X1,6 U6592ZN
26	F01200244	DADO M 8X1,25 U5588 6.8 ZN	NUT M8 X1,25 U5588 6.8 ZN	ECROU M8 X1,25 U5588 6.8 ZN	MUTTER M8 X1,25 U5588 6.8 ZN	TUERCA M8 X1,25 U5588 6.8 ZN
27	G16230611	LEVA REGOLAZIONE ZN	ADJUSTMENT LEVER	LEVIER REGLAGE	EINSTELLHEBEL	PALANCA REGULACION
28	F01410076	ROS.M12 13X 24X2,5 U6592 ZN	WASHER D12 U6592 ZN	RONDELLE D12 U6592 ZN	SCHEIBE D12 U6592 ZN	ARANDELA D12 U6592 ZN
29	G16230360	DADO M12X1,75 SX AUTOB.	M12X1,75 LEFT SELF-LOCK NUT	ECROU M12X1,75 GCH AUTOBLOCANT	MUTTER M12X1,75 LINKS SELBSTSP	TUERCA M12X1,75 IZ. AUTO.
30	G16230572	SUPPORTO REGOLAZIONE ZN				
31	F03010257	ANEL. T.AS 20X 42X 7 D3760NBR	RING T.AS 20X 42X 7 D3760NBR			
32	G19005710	SCATOLA CAMBIO	GEARBOX	BOITE DE VITESSE	GETRIEBEKASTEN	CAJA DE CAMBIO VELOCIDAD
33	G19703421	DECAL.REGOLAZ.CAMBIO PLA				



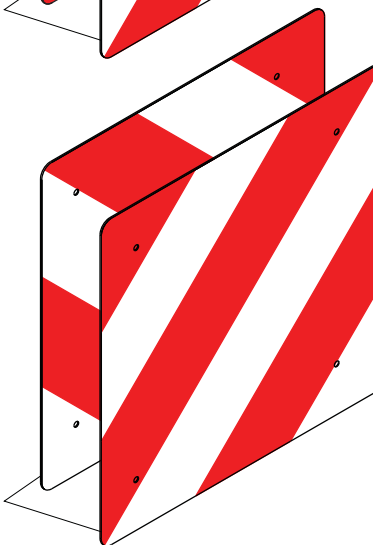
(564x282) Red / Yellow - 1
(pair of warning boards)



(423x282) Red / White - 2
(pair of warning boards)



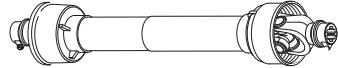
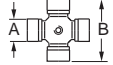


(423x423) Red / White - 4
(pair of warning boards)

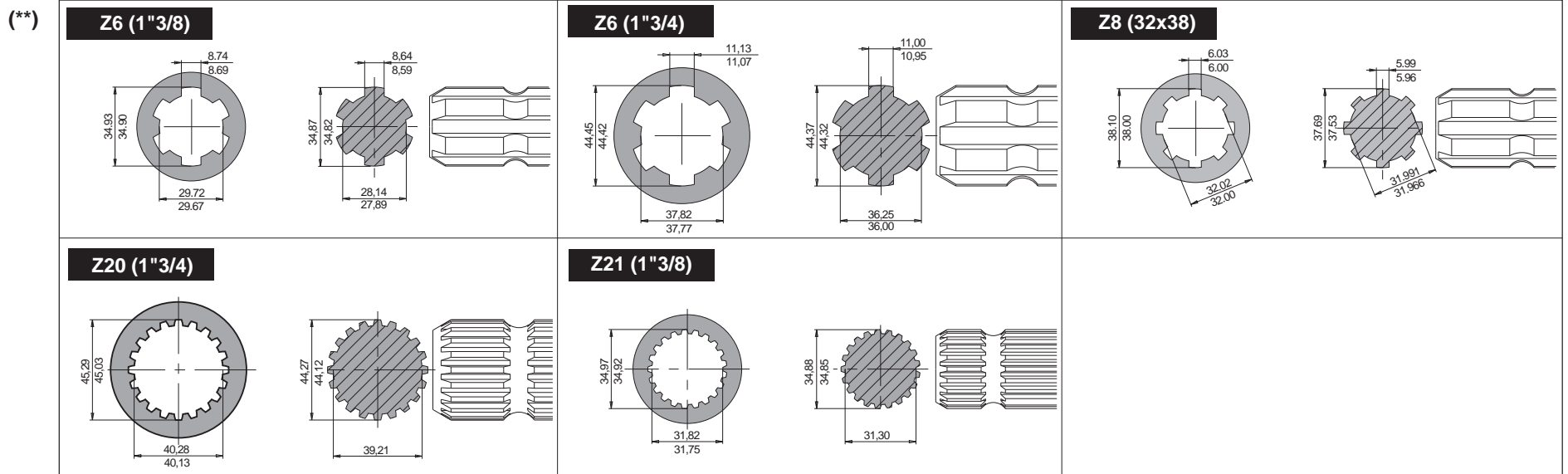
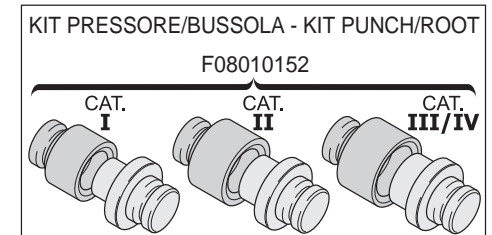
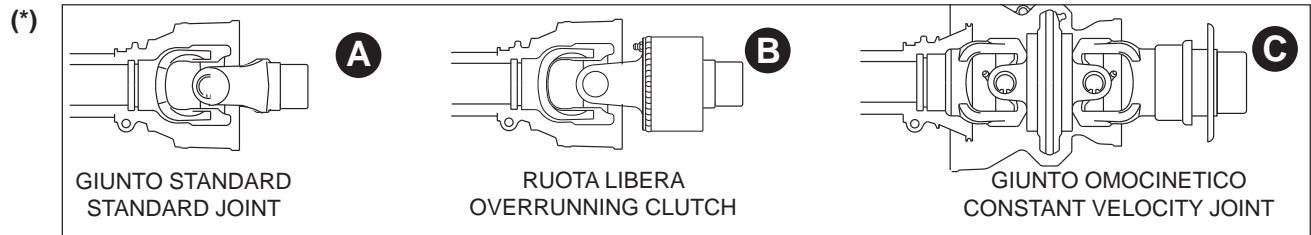


KIT LUCI E TABELLE DI INGOMBRO

TAV. 240

Pos.	Cod.	Descrizione	Description	Description	Benennung	Descripcion
1	F05010357	N.2 PANNELLI CARICHI SPORGENTI	N.2 JUTTING LOAD PANELS	N.2 PANNEAUX CHARGES SAILLANT	N.2 TAFELN VORSRINGENDE LADUN	2 PANELES CARGADOS SALIENTES
2	F05010591	PANNELLI CAR.SPORG.423X282	WARNING BOARD 423X282	PANNEAUX REFLECHISSANT 423X282	WARNTAFEL 423X282	ADVERTENCIA BORDO 423X282
3	F05010222	CATARIFRANGENTE TRIANGOLARE	TRIANGULAR REFLECTOR	CATADIOPTRE TRIANGULAIRE	DREIECKIGE RSCKSTRAHLER	CATAFARO TRIANGULAR
4	F05010590	PANNELLI CAR.SPORG.423X423				
5	F05010345	LUCE INGOMBRO ANT.DX	FRONT LIGHT DX			
6	F05010346	LUCE INGOMBRO ANT.SX	FRONT LIGHT SX			
7	G13616570	PIASTRA SUPP.LUCI	LIGHTS SUPPORT PLATE	PLAQUE DE SUPPORT ECLAIRAGE	LICHTERHALTERUNGSPLATTE	PLACA SOPORTE LUCES
8	G67201078	CAVO ATT.AL TRATTORE L.4000	CABLE COUPLING TRACTOR			
9	G67201079	CAVO LUCI L.3500+3500+5000 DX	CABLE STOP LAMPS RIGHT			
10	G67201080	CAVO LUCI L.3500+5000 SX	CABLE STOP LAMPS LEFT			
11	G67201082	FANALE LUCE-FRENO-FRECCIA DX	STOP TABLE RIGHT			
12	G67201083	FANALE LUCE-FRENO-FRECCIA SX	LIGHT SX			
13	F01020403	VITE M6X1X16 U5739 8.8 ZN	BOLT M6X1X16 U5739 8.8 ZN	VIS M6X1X16 U5739 8.8 ZN	SCHRAUBE M6X1X16 U5739 8.8 ZN	TORNILLO M6X1X16 U5739 8.8 ZN
14	F01200232	DADO M 6X 1 U5588 6.8 ZN	NUT 6 UNI 5588 6.8 GALVANIZED	ECROU 6 UNI 5588 6.8 ZN	MUTTER 6 UNI 5588 6.8 ZN	TUERCA 6 UNI 5588 6.8 ZN
15	F01220011	DADO M 6X 1 D980 8 ZN	NUT M6X1 D980 8 ZN	ECROU M6X1 D980 8 ZN	MUTTER M6X1 D980 8 ZN	TUERCA M6X1 D980 8 ZN
16	F01410037	ROS.M6 6,4X12,5X1,6 U6592 ZN	PLANE WASHER D.6	RONDELLE D.6	SCHEIBE D.6	ARANDELA D.6
17	F01020408	VITE M6X1X30 U5739 8.8 ZN	BOLT M6X1X30	VIS M6X1X30	SCHRAUBE M6X1X30	TORNILLO M6X1X30
18	G15211760	SUPPORTO LUCI POST.	LIGHTS SUPPORT	SUPPORT ECLAIRAGE	LICHTERHALTERUNG	SOPORTE LUCES
19	G15316850	SUPPORTO LUCI LATERALE DP	DP SIDE LIGHTS SUPPORT	SUPPORT FEUX LATERAL DP	HALTERUNG LICHTER SEITLICH DP	SOPORTE LUCES LATERALES DP
20	G15412650	TUBO Q. 16X1,5X 643 2F6,5 ZN	GALVAN. SQUARE 16X1,5X643	TUBE CARRE 16X1,5X643 ZN	ROHR Q. 16X1,5X643 ZN	TUBO CUADRADO 16X1,5X643 ZN
21	F01090216	VITE M 8X1,25X20 U5449 5.8 ZN	BOLT 8X20 UNI 5449 5.8 GALVANI	VIS 8X20 UNI 5449 5.8 ZN	SCHRAUBE 8X20 UNI 5449 5.8 ZN	TORNILLO 8X20 UNI 5449 5.8 ZN
22	F01420036	ROS.M6 6,4X 18X 2 U6593 ZN	FLAT WASHER 6-6X 18X2 6593 ZN	ROND. PLATE 6-6X 18X2 6593 ZN	SCHEIBE 6-6X 18X2 6593 ZN	ARAND. PLANA 6-6X 18X2 6593 ZN

 Codice - Code Descrizione - Description		Lunghezze Lengths		Classe - Size (A x B) 	Tipo - Type (*)		Forcelle - Yokes (**)				
		min.	max.				Z6 (1"3/8)	Z6 (1"3/4)	Z8 (32x38)	Z20 (1"3/4)	Z21 (1"3/8)
F08011711	CARD.B1 Z6-Z6 L700	700	1100	B1 (22 x 54)	A	A	G58161015	F08011772	F08011742	F08011758	F08011767
F08011713	CARD.B1 Z8-Z6 L700	700	1100	B1 (22 x 54)	A	A	G58161015	F08011772	F08011742	F08011758	F08011767
F08011714	CARD.B1 Z20-Z6 L700	700	1100	B1 (22 x 54)	A	A	G58161015	F08011772	F08011742	F08011758	F08011767
F08011715	CARD.B1 Z8-Z6 L900 R.LIB	900	1400	B1 (22 x 54)	A	B	G58161015	F08011772	F08011742	F08011758	F08011767
F08011716	CARD.B1 Z6-Z6 L900 R.LIB	900	1400	B1 (22 x 54)	A	B	G58161015	F08011772	F08011742	F08011758	F08011767
F08011719	CARD.B2 Z6-Z6 L900	900	1400	B2 (23,8 x 61,3)	A	B	—	—	—	—	—
F08011720	CARD.B3 Z8-Z6 L1300	1300	2000	B3 (27 x 70)	A	A	—	G58161016	F08011743	—	—
F08011757	CARD.B1 Z20-Z6 L900 R.L	900	1400	B1 (22 x 54)	A	B	G58161015	F08011772	F08011742	F08011758	F08011767
F08011764	CARD.R4 Z20-Z6 L1210 OM-RL	1210	—	R4 (27 x 74,6)	A	C	F08011768	—	F08011766	F08011774	F08011773
F08011930	CARD.B3 Z6-Z6 L1200	1200	1700	B3 (27 x 70)	A	A	—	G58161016	F08011743	—	—



ALBERI CARDANICI
TAV. 250

Pos.	Cod.	Descrizione	Description	Description	Benennung	Descripcion
1	F08010152	KIT PRESSORE BUSSOLA CAT I-IV>	TOOLS FOR PTO YOKE CAT I-IV			
2	F08011711	CARD.B1 Z6-Z6 L700	PTO SHAFT B1 Z6-Z6 L700			
3	F08011713	CARD.B1 Z8-Z6 L700	PTO SHAFT B1 Z8-Z6 L700			
4	F08011714	CARD.B1 Z20-Z6 L700	UNIVERSAL JOINT B1 Z20-Z6 L700			
5	F08011715	CARD.B1 Z8-Z6 L900 R.LIB	CARD.B1 Z8-Z6 L900 FREE W.			
6	F08011716	CARD.B1 Z6-Z6 L900 R.LIB	CARD.B1 Z6-Z6 L900 R.LIB	CARD ROUE LIBRE T100710 112R12	KARDAN CE T100710 112 R12	CARDAN CE T100710 112 R12
7	F08011719	CARD.B2 Z6-Z6 L900	UNIVERSAL JOINT 102 071 N T07	CARD. 102 071 N T07 T07 1 CAT	KARDAN 102 071 N T07 T07 1CAT	CARDæN 102 071 N T07 T07 1CAT
8	F08011720	CARD.B3 Z8-Z6 L1300	UNIV.JOINT B3 Z8-Z6 L1300			
9	F08011742	FORCELLA CARD.32X38 Z8 B1	YOKE CARD.32X38 Z8 B1	FOURCHETTE CARDAN Z8 B1	GABEL KARDAN Z8 B1	HORQUILLA CARDAN Z8 B1
10	F08011743	FORCELLA CARD.32X38 Z8 B3	YOKE CARD.32X38 Z8 B3			
11	F08011757	CARD.B1 Z20-Z6 L900 R.L >	UNIVERSAL JOINTB1 Z20-Z6 L900			
12	F08011758	FORCELLA CARD.1"3/4 Z20 B1 >				
13	F08011764	CARDANO OM 3/4Z20-RL Z6 L1381	CARD.R4 Z20-Z6 L1381 OM-RL			
14	F08011766	FORCELLA CARD.32X38 Z8 R4	FORK 32X38 Z8 R4			
15	F08011767	FORCELLA CARD.1 3/8 Z21 B1 >				
16	F08011768	FORCELLA CARD.1 3/8 Z6 R4	FORK 1 3/8 Z6 R4			
17	F08011772	FORCELLA CARD.1"3/4 Z6 B1 >	YOKE 1" 3/4 Z6 B1			
18	F08011773	FORCELLA CARD.1 3/8 Z21 R4 >	FORK 1 3/8 Z21 R4			
19	F08011774	FORCELLA CARD.1 3/4 Z20 R4				
20	F08011930	CARD.B3 Z6-Z6 L1200	UNIVERSAL JOINT B3 1200 CE			
21	G58161015	FORCELLA CARD.1'3/8 Z6 B1				
22	G58161016	FORCELLA CARD.1'3/8 Z6 B3 >				

**USATE SEMPRE RICAMBI ORIGINALI
ALWAYS USE ORIGINAL SPARE PARTS
IMMER DIE ORIGINAL-ERSATZTEILE VERWENDEN
EMPLOYEZ TOUJOURS LES PIECES DE RECHANGE ORIGINALES
UTILIZAR SIEMPRE REPUESTOS ORIGINALES**

GASPARDO

**Servizio Assistenza Tecnica - After Sales Service
Servizio Ricambi - Spare Parts Service
+39 0434 695410**

DEALER:



MASCHIO GASPARDO SpA
Registered office & Production plant
Via Marcello, 73 - 35011 Campodarsego (Padova) - Italy
Tel. +39 049 9289810
Fax +39 049 9289900
info@maschio.com
www.maschionet.com

MASCHIO GASPARDO SpA
Production plant
Via Mussons, 7 - 33075
Morsano al Tagliamento (PN) - Italy
Tel. +39 0434 695410
Fax +39 0434 695425
info@gaspardo.it

MASCHIO DEUTSCHLAND GMBH
Äußere Nürnberger Straße 5
D - 91177 Thalmässing - Deutschland
Tel. +49 (0) 9173 79000
Fax +49 (0) 9173 790079
dialog@maschio.de
www.maschio.de

MASCHIO FRANCE Sarl
1, Rue de Mérignan ZA
F - 45240 La Ferte St. Aubin
France
Tel. +33 (0) 2.38.64.12.12
Fax +33 (0) 2.38.64.66.79
info@maschio.fr

000 МАСКИО-ГАСПАРДО РУССИЯ
Улица Пушкина, 117 Б
404126 Волжский
Волгоградская область
Тел. +7 8443 515152
факс. +7 8443 515153
info@maschio.ru

MASCHIO-GASPARDO ROMANIA S.R.L.
Strada Înfrâritii, F.N.
315100 Chisineu-Cris (Arad) -România
Tel. +40 257 307030
Fax +40 257 307040
info@maschio.ro

MASCHIO-GASPARDO North America
120 North Scott Park Road
Eldridge, IA 52748 - USA
Ph. +1 563 2859937
Fax +1 563 2859938
info@maschio.us

**MASCHIO-GASPARDO IBERICA
MASCHIO-GASPARDO POLAND
MASCHIO-GASPARDO UCRAINA
GASPARDO-MASCHIO TURCHIA
MASCHIO-GASPARDO CINA**