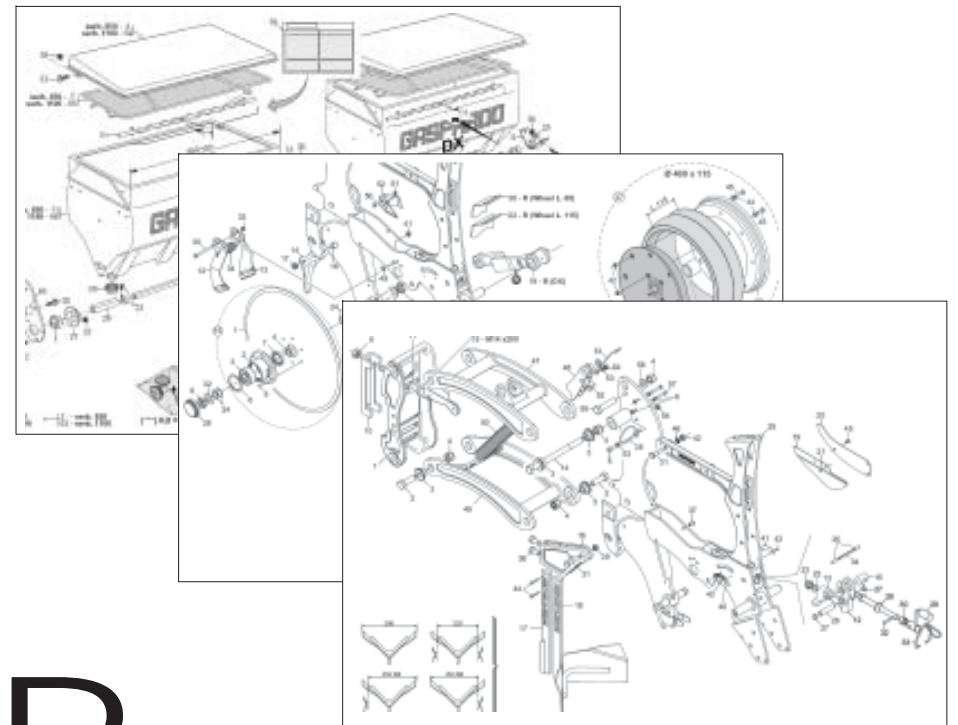


GASPARDO

MASCHIO GASPARDO S.p.A.



METRO MTR

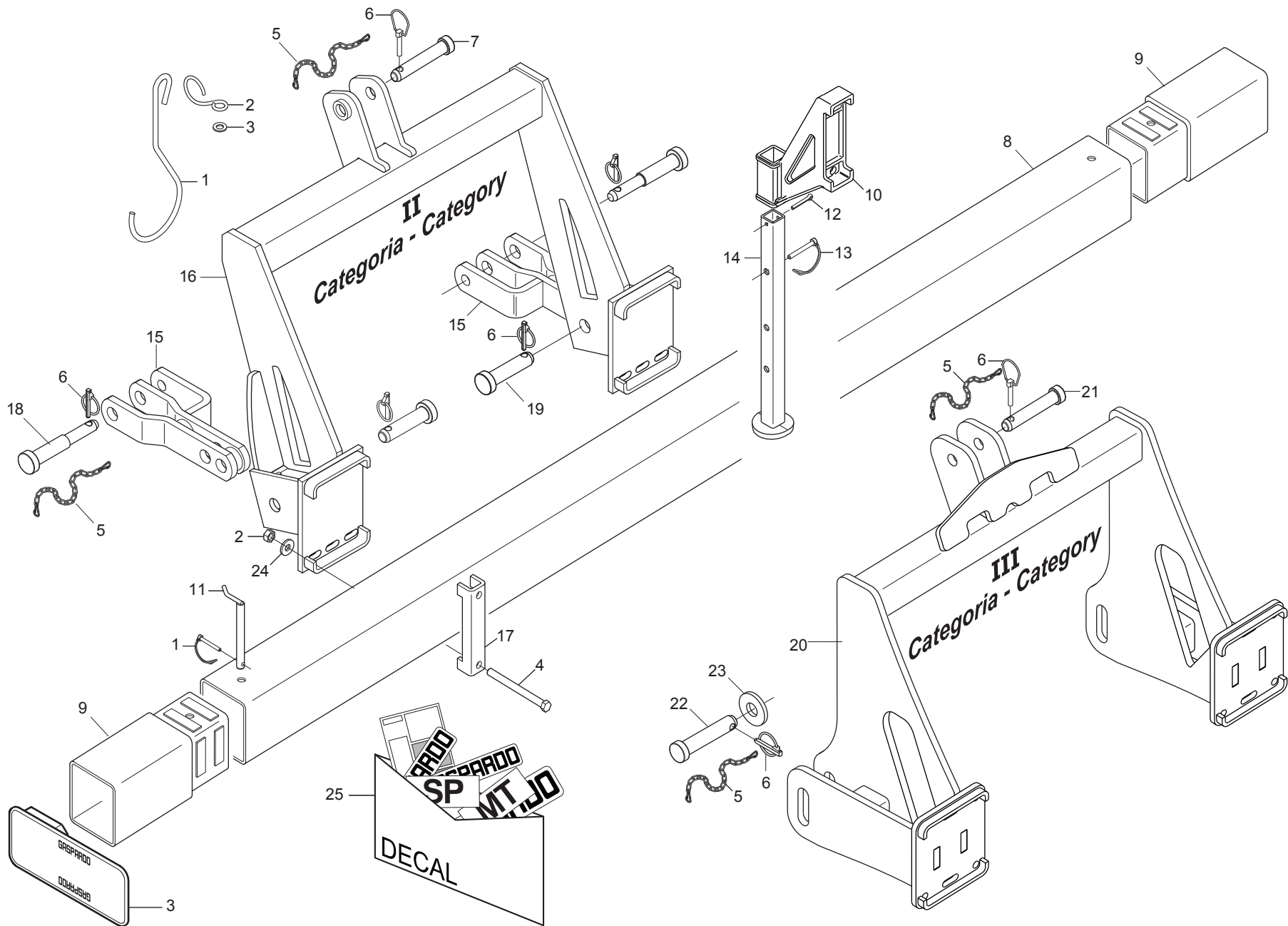
Cod: G19531211 2013-01

- *) Valido per Paesi UE
- *) Valid for EU member countries
- *) Valable dans les Pays UE
- *) Gilt für EU-Mitgliedsländer
- *) Válido para Países UE

- IT** PARTI DI RICAMBIO
- EN** SPARE PARTS
- DE** ERSATZTEILE
- FR** PIÈCES DÉTACHÉES
- ES** PIEZAS DE REPUESTO

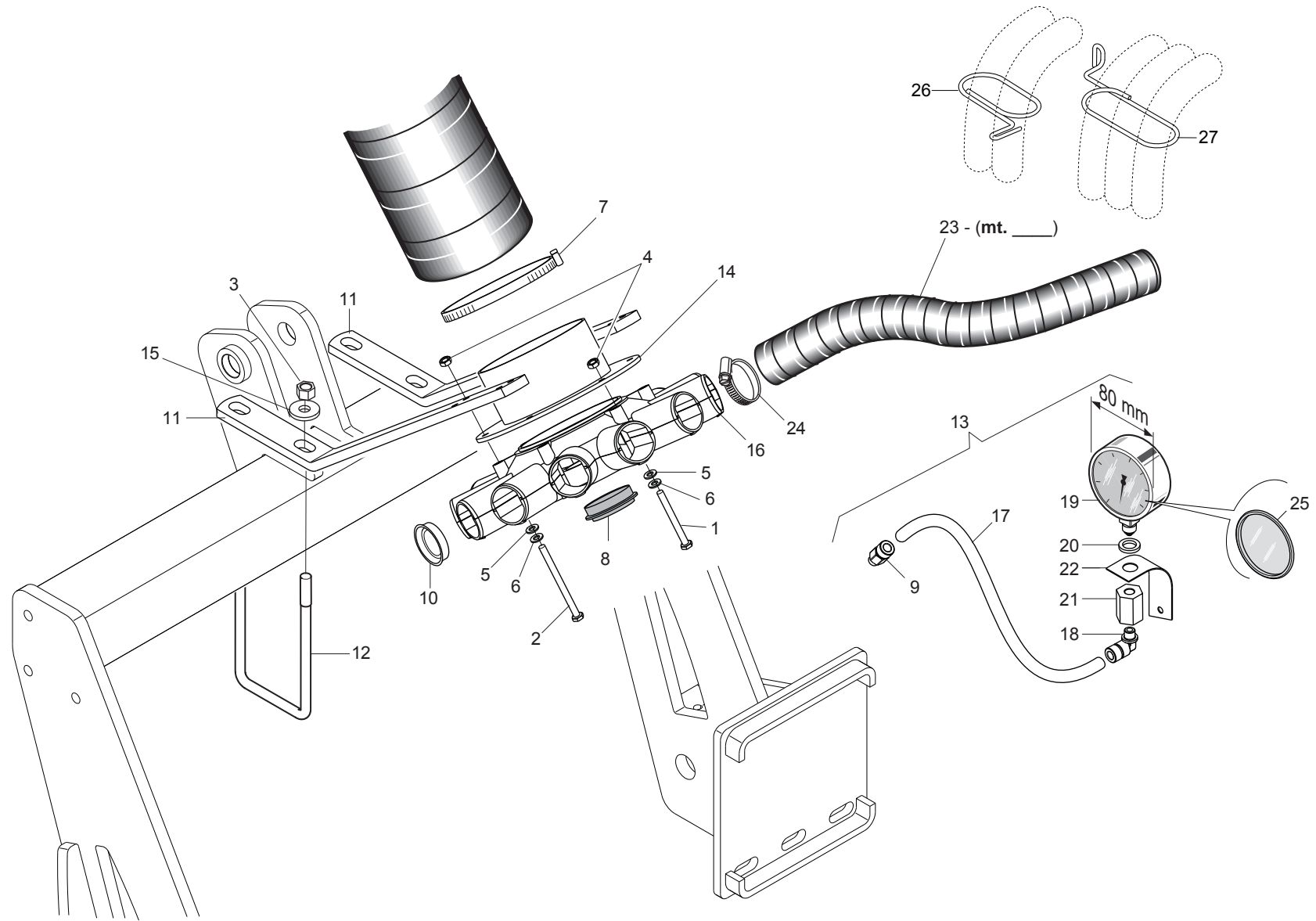
| ITALIANO | ENGLISH | DEUTSCH | FRANÇAIS | ESPAÑOL |
|---|---|--|--|--|
| PARTI DI RICAMBIO | SPARE PARTS | ERSATZTEILE | PIECES DÉTACHÉES | RESPUESTOS |
| <p>Le ordinazioni delle parti di ricambio vanno fatte presso i nostri concessionari di zona e devono essere sempre corredate dalle seguenti indicazioni:</p> <ul style="list-style-type: none"> - Tipo, modello e numero di matricola dell'attrezzatura. Tali dati sono stampigliati nell'apposita targhetta di cui è dotata ogni attrezzatura. - Numero di codice della parte richiesta rilevabile dal catalogo ricambi. - Descrizione del particolare e quantità richiesta. - Numero della tavola. - Mezzo di trasporto. Nel caso questa voce non sia specificata, la Ditta Costruttrice, pur dedicando a questo servizio una particolare cura, non risponde di eventuali ritardi di spedizione dovuti a cause di forza maggiore. Le spese di trasporto si intendono sempre a carico del destinatario. La merce viaggia a rischio e pericolo del committente anche se venduta franco destino. <p>NOTA: Il termine (Dx) Destro o (Sx) Sinistro della macchina o di parti di essa, è inteso guardando la macchina dalla parte posteriore. Le eccezioni saranno indicate.</p> | <p><i>Orders must be transmitted through our area dealers and should always include the following indications:</i></p> <ul style="list-style-type: none"> - Type, model and serial number of the machine. <i>These data are punched on the data plate with which every implement is equipped.</i> - Code number of the required spare part. <i>This will be found in the spare parts catalogue.</i> - Description of the part and required quantity. - Table number. - Means of dispatch. <i>If this item is not indicated, the Manufacturer, while dedicating particular care to this service, shall not be held responsible for delays in delivery caused by cases of force majeure. Transport expenses shall always be at the consignee's charge. The goods travel at the purchaser's risk and peril even when sold ex destination.</i> <p>NOTE: <i>The symbols (Dx) right and (Sx) left, concerning the machine or single parts of it, are referred, as in the figure, to a rear view of them. Exceptions will be indicated.</i></p> | <p>Die Bestellungen müssen bei unseren Gebietshändlern aufgegeben werden. Bei der Bestellung sind stets die folgenden Angaben zu machen:</p> <ul style="list-style-type: none"> - Typ, Modell und Serien-Nummer des Geräts. Diese Daten stehen auf dem Typenschild, mit dem jedes Gerät versehen ist. - Artikel Nr. der erforderlichen Ersatzteile. Diese stehen im Ersatzteil-Katalog. - Beschreibung des Ersatzteils und die erforderliche Stückzahl. - Tafelnummer. - Versandmittel. Wenn dieser Punkt nicht spezifiziert wird, haftet die Herstellerfirma nicht für etwaigen Lieferverzug aufgrund höherer Gewalt, auch wenn er diesen Service besonders aufmerksam abwickelt. Die Frachtkosten gehen dagegen immer zu Lasten des Empfängers. Die Ware reist auf Gefahr und Risiko des Auftraggebers, auch wenn frei Haus Verkauft vereinbart worden ist. <p>N.B.: Die Merkzeichen (Dx) rechts und (Sx) links betreffen eine rückwärtige Aussicht der Maschine oder Teile von ihr (siehe Bild). Ausnahmen werden gezeigt.</p> | <p><i>Les ordres doivent être effectués auprès de nos concessionnaires de zone en précisant les indications suivantes:</i></p> <ul style="list-style-type: none"> - Type, modèle et numéro de série de la machine. <i>Ces données sont gravées sur la plaque d'identification de chaque outil.</i> - Numéro de code de la pièce détachée indiqué sur le catalogue des pièces détachées. - Description de la pièce et quantité requise. - Numéro de plan. - Moyen d'expédition. <i>Si cette rubrique n'est pas indiquée, le Constructeur, bien que soucieux de ce service, ne répond pas des retards d'expédition pour des causes de force majeure. Les frais de transport sont toujours à la charge du destinataire. La marchandise voyage aux risques et périls de l'acheteur même si vendue franco de port.</i> <p>N.B.: <i>Les références (Dx) droit et (Sx) gauche de la machine ou des parties de la même, est entendue, comme de la figure, en regardant la machine de derriere dans le sens de marche.</i></p> | <p>Los pedidos han de efectuarse en nuestros concesionarios de zona y deben incluir siempre las siguientes indicaciones:</p> <ul style="list-style-type: none"> - Tipo, modelo y número de matrícula del equipo. Dichos datos están impresos en la relativa placa presente en el equipo. - Número de código de la parte requerida presente en el catálogo respuestas. - Descripción de la pieza y cantidad requerida. - Numero de ilustración. - Medio de transporte. En caso que este ítem no esté especificado, el Fabricante, aún prestando la debidas consideraciones para este aspecto, no responde por eventuales retardos de env'o debidos a causas de fuerza mayor. Los gastos de transporte se consideran siempre a cargo del destinatario. La mercadería viaja bajo riesgo y peligro del comprador, incluso cuando se vende franco destino. <p>N.B.: La refencia (Dx) derecha o (Sx) izquierda de la máquina o de sus componentes, se entiende, como en la figura, mirando la máquina por la parte trasera. Se indicarán las excepciones.</p> |

| <i>N° Tavola</i> | <i>Descrizione</i> | <i>Pagina</i> |
|-------------------------|--|----------------------|
| TAV. 010 | Telaio e attacco 3 punti | 4 |
| TAV. 020 | Distributore aria | 6 |
| TAV. 031 | Trasmissione cambio | 8 |
| TAV. 040 | Ruote di trasmissione | 12 |
| TAV. 050 | Ruote di trasmissione anteriori | 14 |
| TAV. 060 | Supporti serbatoio spandiconcime | 16 |
| TAV. 070 | Serbatoio spandiconcime | 18 |
| TAV. 080 | Elementi di concimazione | 22 |
| TAV. 090 | Speedy set | 24 |
| TAV. 100 | Trasmissione spandiconcime | 26 |
| TAV. 110 | Scatola di rinvio elemento | 28 |
| TAV. 121 | Distributore semi | 30 |
| TAV. 130 | Dischi di semina | 32 |
| TAV. 141 | Telaio elemento | 34 |
| TAV. 151 | Ruote di profondità | 38 |
| TAV. 162 | Ruote di compressione | 40 |
| TAV. 171 | Coprisemi anteriori | 42 |
| TAV. 181 | Ruotino premiseme inox | 44 |
| TAV. 191 | Coltro a disco striato | 46 |
| TAV. 220 | Trash wheel - Spartiresidui rotativo | 48 |
| TAV. 201 | Esclusione elettrica file di semina | 50 |
| TAV. 211 | Accessori | 52 |



TELAIO E ATTACCO 3 PUNTI
TAV. 10

| Pos. | Cod. | Descrizione | Description | Description | Benennung | Descripcion |
|------|-----------|------------------------------|-------------------------------|--------------------------------|-------------------------------|--------------------------------|
| 1 | F02100312 | SPINA DI SICUREZZA D.8X45 ZN | SAFETY PIN D.8X45 ZN | FICHE EL.DE SECURITE D.8X45 ZN | SCHERSTIFT D.8X45 ZN | CLAVIJA DE SEGURIDAD D 8X45 ZN |
| 2 | F01200306 | DADO M14X 2 U5588 6.8 ZN | NUT M14X2 | ECROU M14X2 | MUTTER M14X2 | DADO M14X2 |
| 3 | G19003000 | TAPPO PER TELAIO 150 | CAP FOR FRAME 150 | BOUCHON POUR BATI 150 | PFROPFEN FOR RAHMEN 150 | TAPON PARA BASTIDOR 150 |
| 4 | F01020233 | VITE M14X2X200 U5737 8.8 BR | BOLT M14X 2X200 U5737 8.8 ZB | VIS M14X2X 200 U5737 8.8 ZB | SCHRAUBE M14X 2X200 U5737 8.8 | TORNILLO M14X2X200 5737 8.8 ZB |
| 5 | G13812311 | CATENELLA CON MOSCHETTONE ZN | CHAIN WITH SPRING CATCH | CHAINETTE AVEC MOUSQUETON | KETTE MIT KARABINERHAKEN | CADENA CON GANCHO |
| 6 | F02200507 | SPINA A SCATTO D 9 B/83 | SNAP PIN D9 B/83 ZN | FICHE A DETENTE D9 B/83 ZN | EINRASTSTIFT D9 B/83 ZN | CLAVIJA DE MUELLE D9 B/83 ZN |
| 7 | F20100133 | PERNO D25 L122 C43 ZN | PIN D25 L122 C43 ZN | BOULON D25 L122 C43 ZN | BOLZEN D25 L122 C43 ZN | PERNO D25 L122 C43 ZN |
| 8 | G15212940 | TUBO Q.150X8X5200 | TUBE Q.150X 8X5200 | | | |
| 9 | G15212930 | ASS.PROLUNGA TELAIO L.290 | ASSY FRAME L.209 EXT. | | | |
| 10 | G19204860 | SUPPORTO PUNTELLO SP-MT | SHORE SUPPORT SP-MT | | | |
| 11 | G15212160 | ASS.PERNO BLOCCAGGIO RUOTA | ASSY WHEEL LOCK PIN | | | |
| 12 | F02200246 | COPIGLIA 6X 45 U1336 ZN | PIN 6 X45 U1336 ZN | GOUPILLE 6 X45 U1336 ZN | SPLINT 6 X45 U1336 ZN | CLAVIJA 6 X45 U1336 ZN |
| 13 | F02200584 | SPINA SICUR. D. 12X70 ZN | PIN D12 L70 ZN | FICHE D12 L70 ZN | STIFT D12 L70 ZN | CLAVIJA D12 L70 ZN |
| 14 | G15112691 | PUNTELLO ST250 | PROP ST250 | | | |
| 15 | G15113070 | FORCELLA 1-2 PUNTO 2 CAT. | FORK 1-2 POINT 2 CAT. | FOURCHETTE 1-2 PUNTO 2 CAT. | GABEL 1-2 PUNKT 2 KAT. | HORQUILLA 1-2 PUNTO 2 CAT. |
| 16 | G15211770 | TERZO PUNTO RINF.150 | THIRD POINT REINFORCEMENT 150 | TROISIEME POINT RENFORCE | DRITTER PUNKT VERSTZRKT | TERCER PUNTO REF. |
| 17 | G15110091 | SCONTRO A U SP.8 2F15 165 | STRIKER | BRIDE 150 MM | ANSCHLAG | ELEMENTO DE EMPALME |
| 18 | G15113090 | SPINA 1-2 PUNTO ZN | PIN 1.-2. POINT | BROCHE 1-2. POINT | STIFT 1-2. PUNKT | CLAVIJA 1-2. PUNTO |
| 19 | F20100136 | >PERNO D28 L109 C43 ZN | BOLT D28 L109 C43 ZN | BOULON D28 L109 C43 ZN | BOLTZEN D28 L109 C43 ZN | PERNO D28 L109 C43 ZN |
| 20 | G15213060 | ASSIEME 3° PUNTO CAT.RIDOTTA | ASS.3RD POINT 3° CAT. | | | |
| 21 | F20100124 | PERNO D32 L135 C40 ZN | BOLT D32 L135 C40 ZN | BOULON D32 L135 C40 ZN | BOLZEN D32 L135 C40 ZN | PERNO D32 L135 C40 ZN |
| 22 | F20100141 | PERNO D36 L128 C43 ZN | PIN D36 L128 C43 ZN | BOULON D36 L128 C43 ZN | BOLTZEN D36 L128 C43 ZN | PERNO D36 L128 C43 ZN |
| 23 | G18701810 | RONDELLA 38 X70 X10 ZN | WASHER 38X70X10 | RONDELLE 38X70X10 | UNTERLEGSSCHEIBE 38X70X10 | ARANDELA 38X70X10 |
| 24 | G20970142 | RONDELLA 32X4X15,5 | WASHER 32X4X15-5 | RONDELLE 32X4X15-5 | UNTERLEGSSCHEIBE 32X4X15-5 | ARANDELA 32X4X15-5 |
| 25 | G89900511 | KIT DECALCOMANIE SP-MT | DECAL KIT SP | KIT DECALCOMANIE SP | KIT ABZIEHB. SP | SET CALCOMANAS SP |

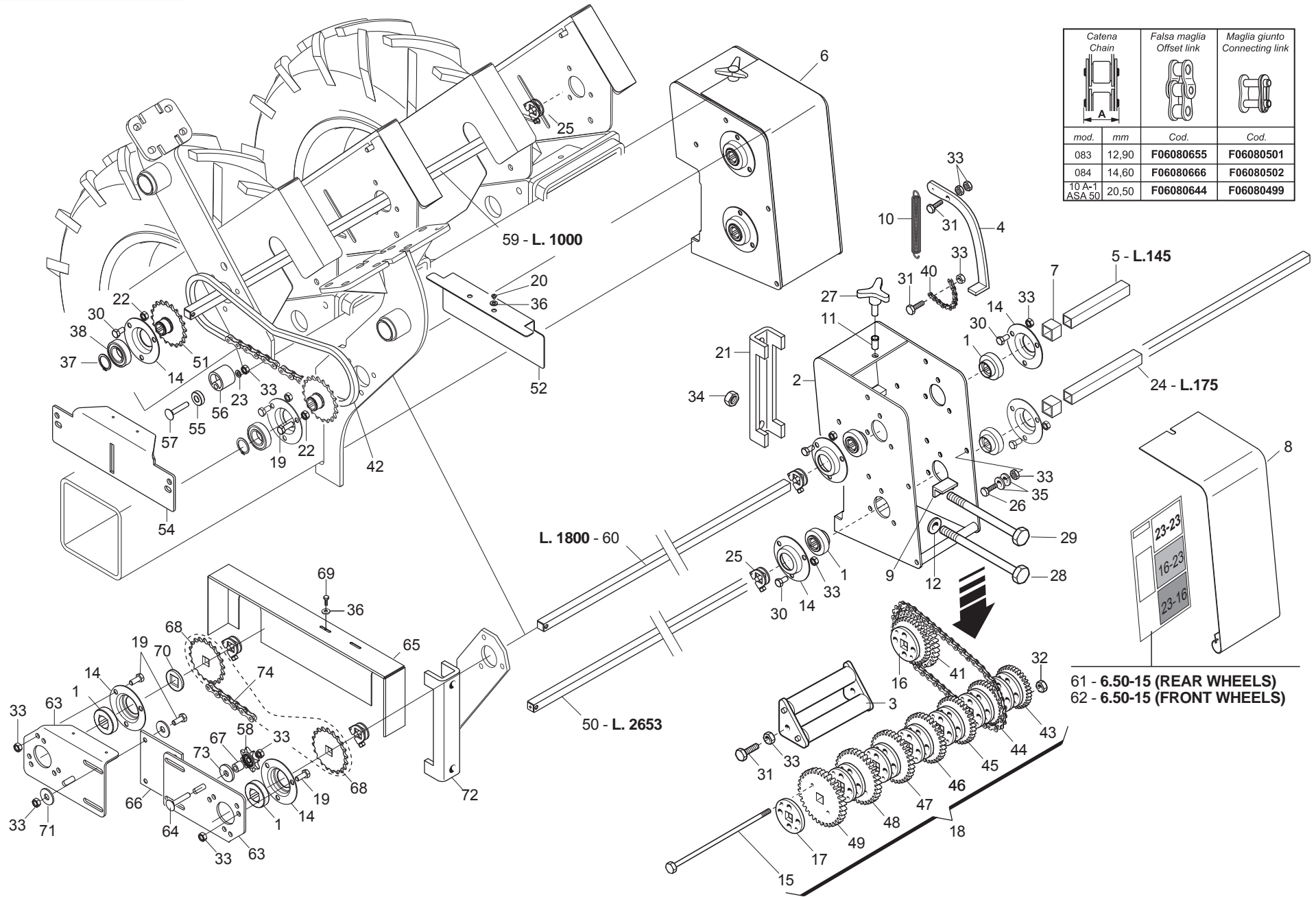


DISTRIBUTORE ARIA

TAV. 20

| Pos. | Cod. | Descrizione | Description | Description | Benennung | Descripcion |
|------|-----------|--------------------------------|--------------------------------|--------------------------------|--------------------------------|--------------------------------|
| 1 | F01020050 | VITE M6X1X80 U5737 8.8 ZN | BOLT M6X 1X80 U5737 8.8 ZN | VIS 6 X80 5737 8.G ZN | SCHRAUBE 6 X80 5737 8.G ZN | TORNILLO 6 X80 5737 8.G ZN |
| 2 | F01020051 | VITE M6X1X90 U5737 8.8 ZN | BOLT M6X 1X 90 U5737 8.8 ZN | VIS M6X 1X 90 U5737 8.8 ZN | SCHRAUBE M6X 1X90 U5737 8.8 ZN | TORNILLO M6X 1X90 U5737 8.8 ZN |
| 3 | F01200306 | DADO M14X 2 U5588 6.8 ZN | NUT M14X2 | ECROU M14X2 | MUTTER M14X2 | DADO M14X2 |
| 4 | F01220011 | DADO M 6X 1 D980 8 ZN | NUT M6X1 D980 8 ZN | ECROU M6X1 D980 8 ZN | MUTTER M6X1 D980 8 ZN | TUERCA M6X1 D980 8 ZN |
| 5 | F01420036 | ROS.M6 6,4X 18X 2 U6593 ZN | FLAT WASHER 6-6X 18X2 6593 ZN | ROND. PLATE 6-6X 18X2 6593 ZN | SCHEIBE 6-6X 18X2 6593 ZN | ARAND. PLANA 6-6X 18X2 6593 ZN |
| 6 | F01430047 | ROS.M6 6,4X 11X0,7 U8842J ZN | WASHER D6 DIN 6798 D.INT.GALV. | RONDELLE D6 DIN 6798 D. INT. Z | UNT. SCHEIBE D6 DIN 6798 D. IN | ARANDELA D6 DIN 6798 D.INT.ZN |
| 7 | F02300031 | FASCETTA STRING.130/150 H.12 | STRING FASTEN.STRAPS 130/150 H | | | |
| 8 | F03150722 | TAPPO 700 M52X2 | M52 X 2 PLUG 700 | BOUCHON M52 X 2 | PFROPFEN M52 X 2 | TAPN M52 X 2 D |
| 9 | F03151206 | RACCORDO DIR. C1 1/8" 6/8 | UNION STRAIGHT C1 1/8" 6/8 | RACCORD DRT. C1 1/8" 6/8 | ANSCHLUSSTsCK GERADE C1 1/8" | UNIN DER. C1 1/8" 6/8 R |
| 10 | F05050020 | TAPPO SALVAFILETTO D.39 | CONVEYOR PLUG D.39 | BOUCHON PROTEGE-FILET D. 39 | GEWINDESCHUTZPFROPFEN D.39 | TAPN GUARDARROSCA D.39 D |
| 11 | G15250140 | SUPPORTO | SUPPORT | | | |
| 12 | F20110770 | CAV.Q.B=80 M=14X2 L=119 | U BOLT Q.B=80 M=14X2 L=119 | BRIDE U M14X2X50 96X119 ZN | ANSCHLANG U M14X2X50 96X119 ZN | EL.DE EMPALME M14X2X50 96X119 |
| 13 | G22270093 | VACUOMETRO COMPL. SP LM | VACUUM METER ASSY. SP LM | VACUOMETRE COMPL. SP LM | KOMPL. VAKUUMMETER SP LM | VACUMETRO COMPL. SP LM V |
| 14 | G15250132 | | | | | |
| 15 | G20970142 | RONDELLA 32X4X15,5 | WASHER 32X4X15-5 | RONDELLE 32X4X15-5 | UNTERLEGSCHIEBE 32X4X15-5 | ARANDELA 32X4X15-5 |
| 16 | G15450440 | CONVOGLIATORE 8 USCITE * | | | | |
| 17 | F03100391 | TUBO POLIURETANO 8-6 | POLIURETHAN PIPE 8-6 | | | |
| 18 | F03151200 | RACCORDO 90° C5 1/8" 6/8 | UNION 90° C5 1/8" 6/8 | RACCORD 90° C5 1/8" 6/8 | ANSCHLUSSTsCK 90° C5 1/8" 6/8 | UNION 90° C5 1/8" 6/8 |
| 19 | F03151288 | VACUOM.0-100 MBAR C.SM.INC.D80 | VACUUM METER 0-100 MBAR C.SMOR | VACUOMETRE 0-100 MBARS A/SUPPO | VAKUUMMETER 0-100 MBAR M. DZMP | VACUM. 0-100 MBAR C.ATEN.INC.V |
| 20 | F05150479 | ROND.APPOGGIO MANOMETRI SV | PRESSURE GAUGE REST WASHER | ROND. LOGEMENT MANOMETRES SV | STsTZSCHEIBE MANOMETER SV | ARAND. SOPORTE MANOMETROS SV |
| 21 | G22250274 | COLLEGAMENTO MANOMETRI SP-SV | PRESSURE GAUGE CONNECT. SP-SV | RACCORD MANOMETRES SP-SV | VERBINDUNG MANOMETER SP-SV | CONEXIN MANMETROS SP-SV LE |
| 22 | G22270134 | SUPPORTO VACUOMETRO SP | VACUUM METER SUPPORT SP | SUPPORT VACUOMETRE SP | HALTERUNG VAKUUMMETER SP | SOPORTE VACUMETRO SP S |
| 23 | F03100506 | TUBO EOLO PU D.45 | TUBE EOLO PU D.45 | TUBE EOLO PU D.45 | | |
| 24 | F05150058 | FASCETTA POLYAM.7,8X550 31920 | POLYAM.CLAMP 7,8X550 31921 | | | |
| 25 | F03151356 | VETRO VACUOM.0-100 MBAR D80 | VETRO VACUOM.0-100 MBAR D80 | | | |
| 26 | G18903850 | MOLLA SPEC.ZN GUIDA 2 TUBI DEP | GUIDE SPRING 2 PIPE DEPRESS. | | | |
| 27 | G18903860 | MOLLA GUIDA 3 TUBI ZN | GUIDE SPRING 3 PIPE ZN | | | |

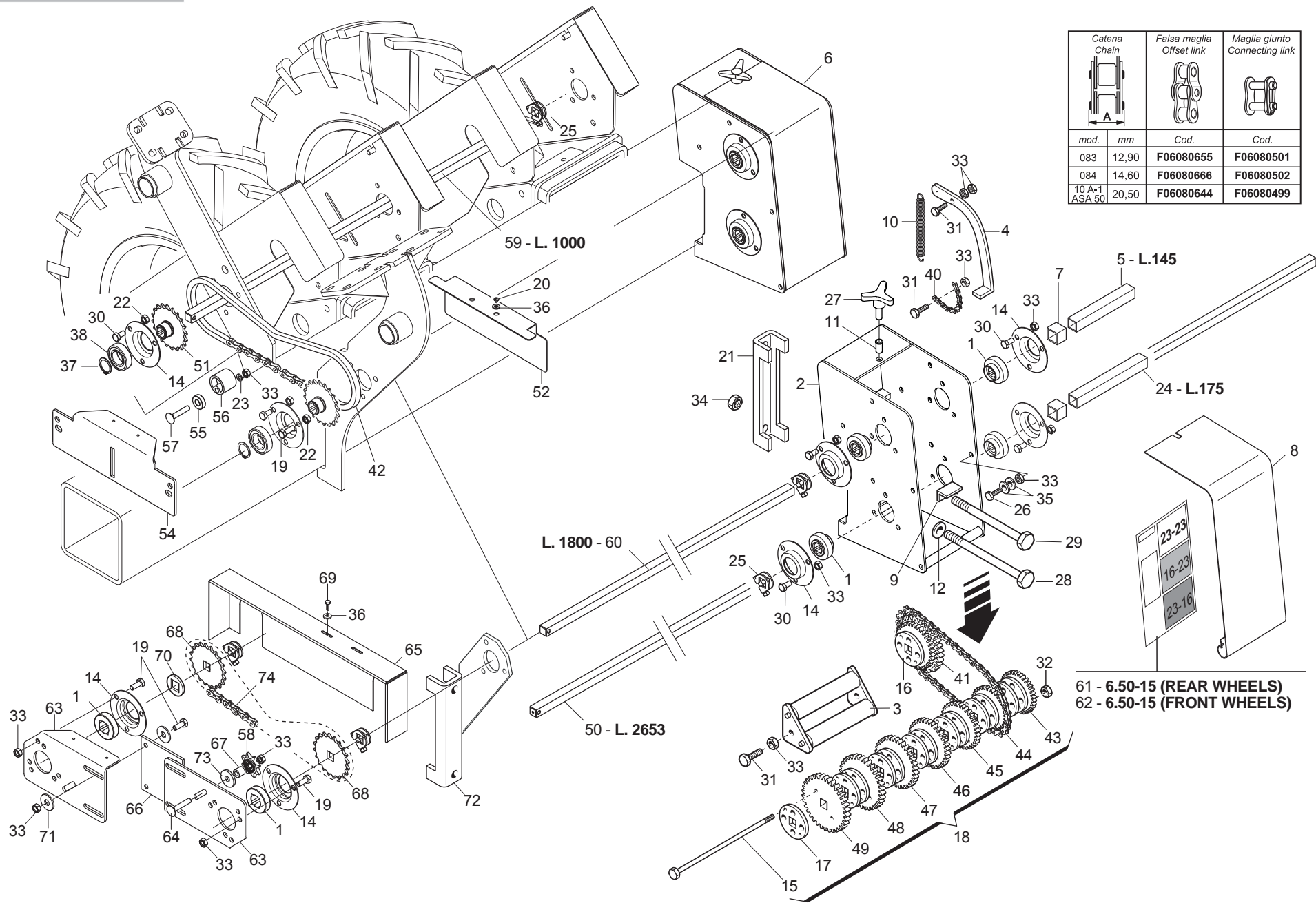
TAV. 31



TRASMISSIONE CAMBIO

TAV. 31

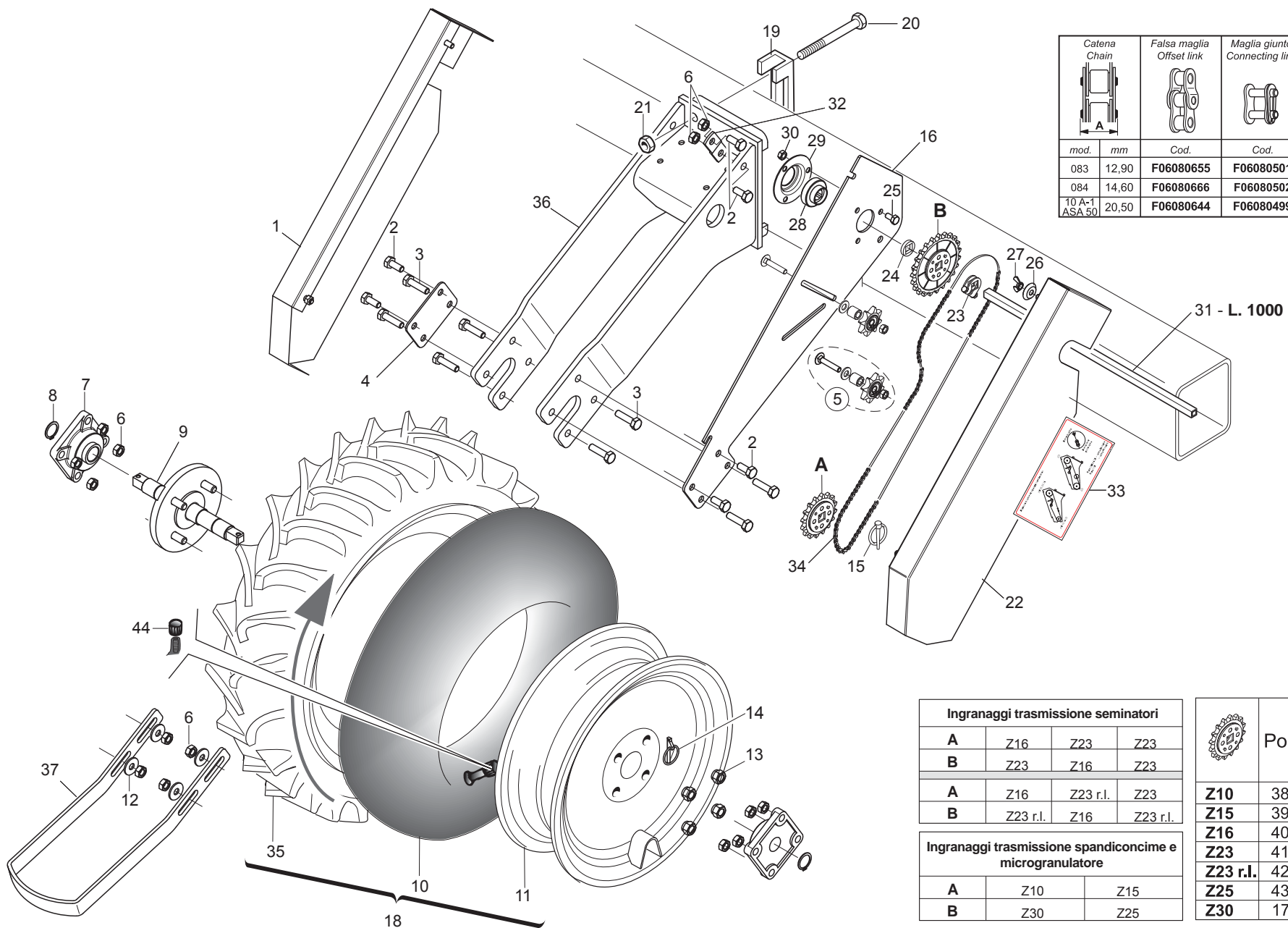
| Pos. | Cod. | Descrizione | Description | Description | Benennung | Descrpcion |
|------|-----------|--------------------------------|--------------------------------|--------------------------------|--------------------------------|--------------------------------|
| 1 | G14830390 | CUSCINETTO FORO QUADRO | SQUARE-HOLED BEARING | ROULEMENT AL+SAGE CARR+ | VIERKANTLAGER | COJINETE ORIFICIO CUADRADO |
| 2 | G16630840 | ASS.SCATOLA CAMBIO Q.150 | ASSY GEARBOX Q.150 | | | |
| 3 | G15430321 | RULLO TENDICATENA | CHAIN STRETCHER ROLLER | ROULEAU TENDEUR DE CHAINE | KETTENSPANNROLLE | RODILLO TENSOR DE CADENA |
| 4 | G15430331 | LEVA CAMBIO | GEAR LEVER | LEVIER BOITE DE VITESSE | GETRIEBEBEBEL | PALANCA DE CAMBIO |
| 5 | G15430340 | ASSE INGRANAGGI L.144 | GEAR SPINDLE L.144 | AXE ENGRENAGES L144 | ACHSE ZAHNRZDER L.144 | EJE ENGRANAJES L.144 |
| 6 | G16630010 | SCATOLA CAMBIO Q.150 COMPL. | GEARBOX 150 | BOITE DE VITESSE 150 | GETRIEBEKASTEN 150 | CAJA DE CAMBIO DE VELOCIDAD 15 |
| 7 | G15430501 | DISTANZIALE INTERNO CAMBIO | GEARBOX INNER SPACER | ENTRETOISE INT. BOITE VITESSE | INNERES DISTANZSTOCK GETRIEBE | DISTANCIADOR INTERIOR CAMBIO |
| 8 | G15430711 | COPERCHIO CAMBIO | GEAR COVER | COUVERCLE BOITE DE VITESSE | GETRIEBEDECKEL | TAPA CAMBIO |
| 9 | G15431020 | FERMO VITE CAMBIO | GEAR BOLT STOP | ARRET VIS BOITE DE VITESSE | FESTSTELLVORRICH. GETRIEBESCHR | BLOQUEO TORNILLO |
| 10 | G18902970 | MOLLA TRAZ. CAMBIO ZN SP | GALVAN. GEAR TRACT. SPRING SP | RESS. TRACT. BOITE VITESSE ZN | FESTSTELLVORRICH. GETRIEBESCHR | BLOQUEO TRAC. CAMBIO ZN SP |
| 11 | F02250683 | INSERTO FIL.M 8X17,5 ZN T.TOND | CYLINDRICAL NUT 8 TC 40 | ECROU CYLINDRIQUE 8 TC 40 | ZYLINDRISCHE MUTTER 8 TC 40 | TUERCA CILINDRICA 8 TC 40 |
| 12 | G20970142 | RONDELLA 32X4X15,5 | WASHER 32X4X15-5 | RONDELLE 32X4X15-5 | UNTERLEGSSCHEIBE 32X4X15-5 | ARANDELA 32X4X15-5 |
| 13 | G22220085 | SNODO | ARTICULATION | ARTICULATION | GELENK | ARTICULACION A |
| 14 | G22230094 | BEARING SUPPORT | BEARING SUPPORT | SUPPORT PALIER | LAGERBSCHE | SOPORTE COJINETE |
| 15 | G19203260 | VITE M5X115 ZN | BOLT M5X115 ZN | VIS M5X115 ZN | SCHRAUBE M5X115 ZN | TORNILLO M5X115 ZN |
| 16 | G22270152 | ING.Z 16-23 RUOTA-CAMBIO SP | WHEEL- GEARBOX GEARS SP | ENGR. Z 16-23 ROUE BOITE VIT. | ZAHNRAD Z 16-23 GETRIEBERAD SP | ENGRAN. Z 16-23 RUEDA-CAMBIO |
| 17 | G22270162 | RINFORZO INGR.ASSE DA 20 SP | AXLE GEAR REINFORCEMENT 20 SP | RENFORC. ENGREN. AXE DE 20 SP | VERSTZRKUNG ACHSZAHNRAD 20 SP | REFUERZO ENGRAN. EJE DE 20 SP |
| 18 | G22270163 | BLOCCO CAMBIO ASSE DA 20 SP | 20 CM SPINDLE GEARBOX SP | ENSEMBLE BOITE DE VITESSE | GETRIEBEBLOCK ACHSE 20 SP | BLOQUE CAMBIO EJE DE 20 SP |
| 19 | F01020436 | VITE M 8X1,25X 20 U5739 8.8 ZN | BOLT M8X1,25X20 U5739 8.8 ZN | VIS M8X1,25X20 U5739 8.8 ZN | SCHRA. M8X1,25X20 U5739 8.8 ZN | TORN. M8X1,25X20 U5739 8.8 ZN |
| 20 | F01070078 | VITE M4,2X1,41X13 U6950 4.8ZN | SELFTHREADING BOLT 4,2X13 TE | VIS AUTOTARADEUSE.4-2X13 TE | SELBSTSCHNEID. SCHRAUBE 4-2X13 | TORNILLO AUTOR.4-2X13 TE |
| 21 | G15110091 | SCONTRIO A U SP.8 2F15 165 | STRIKER | BRIDE 150 MM | ANSCHLAG | ELEMENTO DE EMPALME |
| 22 | F01220022 | DADO M 8X1,25 D980 8 ZN | NUT M8X 1,25 D980 8 ZN | ECROU M8X 1,25 D980 8 ZN | MUTTER M8X 1,25 D980 8 ZN | TUERCA M8X 1,25 D980 8 ZN |
| 23 | F01420048 | ROS.M8 8,4X 24X 2 U6593 ZN | WASHER M8 8,4X 24X 2 U6593 ZN | RONDELLE M8 8,4X 24X2 U6593 ZN | SCHEIBE M8 8,4X 24X 2 U6593 ZN | ARANDELA M8 8,4X 24X2 U6593 ZN |
| 24 | G22500171 | MANICOTTO L.175 | SLEEVE L.175 | MANCHON L.175 | MUFFE L.175 | MANGUITO L.175 |
| 25 | G22505085 | FERMO ASSE IN LAMIERA | PLATE AXLE STOP | ARRET AXE EN TOLE | FESTSTELLVORRICHTUNG BLECHACHS | BLOQUEO EJE DE CHAPA |
| 26 | F01060040 | VITE M8X1,25X20 U5732 4.6 ZG | BOLT M8X1,25X20 U5732 4.6 ZN | VIS M8X1,25X20 U5732 4.6 ZN | SCHRA. M8X1,25X20 U5732 4.6 ZN | TORN. M8X1,25X20 U5732 4.6 ZN |
| 27 | F06220018 | VOLANTINO 3LOBI D.65-M8X15 | 3-LOBE HANDWHEEL D.65-M8X15 | | | |
| 28 | F01020225 | VITE M14X2X160 U5737 8.8 BR | BOLT M 14 X160 5737 8.G | VIS M 14 X160 5737 8.G | SCHRAUBE M 14 X160 5737 8.G | TORNILLO M 14 X160 5737 8.G |
| 29 | F01020233 | VITE M14X2X200 U5737 8.8 BR | BOLT M14X 2X200 U5737 8.8 ZB | VIS M14X2X 200 U5737 8.8 ZB | SCHRAUBE M14X 2X200 U5737 8.8 | TORNILLO M14X2X200 5737 8.8 ZB |
| 30 | F01020432 | VITE M 8X1,25X16 U5739 8.8 ZN | BOLT M8X 1.25X16 U5739 8.8 ZN | VIS M 8X16 | SCHRAUBE M 8X16 | TORNILLO M 8X16 |
| 31 | F01020449 | VITE M 8X1,25X35 U5739 8.8 ZN | BOLT M8X 1.25X35 U5739 8.8 ZN | VIS M 8X35 | SCHRAUBE M 8X35 | TORNILLO M 8X35 |
| 32 | F01200220 | DADO M 5X 0,8 U5588 6.8 ZN | NUT 5 UNI 5588 6.8 GALVANIZED | ECROU 5 UNI 5588 6.8 ZN | MUTTER 5 UNI 5588 6.8 ZN | TUERCA 5 UNI 5588 6.8 ZN |
| 33 | F01200244 | DADO M 8X1,25 U5588 6.8 ZN | NUT M8 X1,25 U5588 6.8 ZN | ECROU M8 X1,25 U5588 6.8 ZN | MUTTER M8 X1,25 U5588 6.8 ZN | TUERCA M8 X1,25 U5588 6.8 ZN |
| 34 | F01200306 | DADO M14X 2 U5588 6.8 ZN | NUT M14X2 | ECROU M14X2 | MUTTER M14X2 | DADO M14X2 |
| 35 | F01410051 | ROS.M8 8,4X 17X1,6 U6592 ZN | WASHER M8 8,4X17X1,6 U6592 ZN | RONDEL. M8 8,4X17X1,6 U6592 ZN | SCHEIBE M8 8,4X17X1,6 U6592 ZN | ARANDELA M8 8,4X17X1,6 U6592ZN |
| 36 | F01420011 | ROS.M4 4,3X 16X 1 U6593 ZN | FLAT WASHER 4-3X 16X1-5 6593 G | ROND.PLATE 4-3X 16X1-5 6593 ZN | SCHEIBE 4-3X 16X1-5 6593 ZN | ARAND. PLANA 4-3X 16X1-5 6593 |
| 37 | F02050101 | ANELLO E. DE 25X 1,2 U7435 C70 | SEEGER RING E. 25X1,2 7435 C70 | SEEGER E. 25X 1,2 U7435 C70 | SEEGERING E. 25X 1,2 U7435 C70 | ANILLO E. 25X 1,2 U7435 C70 |
| 38 | F04010135 | CUSC.D25 D47 B12 6005 2RS EX> | BEARING D25 D47 B12 6005 2RS | | | |
| 39 | F02100087 | SPINA E.P. 5X 30 U6873 C70 BR | PIN EL. 5 X30 DIN 1481 | FICHE EL. 5 X30 DIN 1481 | SPANNSTIFT 5 X30 DIN 1481 | CLAVIJA EL.5 X30 DIN 1481 |
| 40 | F06080008 | CATENA 1/2 ISO 083 16 MAGLIE | CHAIN 1/2 ISO 083 16 LINKS | TRONÃO CHA+NE 1/2-3/16 16 MAI | KET.ABSCHN.1/2-3/16 16 GLIEDER | TRAMO CAD.1/2-3/16 16 ESLABONE |
| 41 | F06080230 | CATENA 5/8 ASA 50 L 46 MAGLIE | CHAIN 5/8 ISO 10B 46 MESH | | | |
| 42 | F06080038 | CATENA 1/2 ISO 083 74 MAGLIE | CHAIN 1/2 ISO 083 74 LINKS | CHAINE 1/2 ISO 083 74 MAILLES | KETTE 1/2 ISO 083 94 GLIEDER | CADENA 1/2 ISO 083 74 ESLABNEL |
| 43 | G66248162 | INGRANAGGIO Z-17 SP | GEAR Z-17 SP | ENGRENAGE Z-17 SP | ZAHNRAD Z-17 SP | ENGRANAJE Z-17 SP |
| 44 | G66248163 | INGRANAGGIO Z-18 SP | GEAR Z-18 SP | ENGRENAGE Z-18 SP | ZAHNRAD Z-18 SP | ENGRANAJE Z-18 SP |
| 45 | G66248164 | INGRANAGGIO Z-19 SP | GEAR Z-19 SP | ENGRENAGE Z-19 SP | ZAHNRAD Z-19 SP | ENGRANAJE Z-19 SP |
| 46 | G66248165 | INGRANAGGIO Z-20 SP | GEAR Z-20 SP | ENGRENAGE Z-20 SP | ZAHNRAD Z-20 SP | ENGRANAJE Z-20 SP |
| 47 | G66248166 | INGRANAGGIO Z-21 SP | GEAR Z-21 SP | ENGRENAGE Z-21 SP | ZAHNRAD Z-21 SP | ENGRANAJE Z-21 SP |
| 48 | G66248167 | INGRANAGGIO Z-22 SP | GEAR Z-22 SP | ENGRENAGE Z-22 SP | ZAHNRAD Z-22 SP | ENGRANAJE Z-22 SP |
| 49 | G66248168 | INGRANAGGIO Z-23 SP | GEAR Z-23 SP | ENGRENAGE Z-23 SP | ZAHNRAD Z-23 SP | ENGRANAJE Z-23 SP |
| 50 | G14230710 | ASSE TRASM.L.2653 | TRANSMISION BAR L.2653 | | | |
| 51 | G15231961 | PIGNONE Z20 1/2-3/16 Q.16,4 ZN | PINION Z20 1/2-3/16 Q.16,4 ZN | | | |
| 52 | G15275370 | CARTER | CARTER | | | |
| 53 | F01200293 | DADO M12X1,75 U5588 6.8 ZN | NUT M12X1,75 U5588 6.8 ZN | ECROU M12X1,75 U5588 6.8 ZN | MUTTER M12X1,75 U5588 6.8 ZN | TUERCA M12X1,75 U5588 6.8 ZN |
| 54 | G15275380 | SUPPORTO TRASMISSIONE | TRASM.SUPPORT | | | |



TRASMISSIONE CAMBIO

TAV. 31


| Pos. | Cod. | Descrizione | Description | Description | Benennung | Descripcion |
|------|-----------|--------------------------------|--------------------------------|--------------------------------|--------------------------------|--------------------------------|
| 55 | G18801680 | BOCCOLA 11 X25 X7,5 ZN | BUSHING 11X25X7,5 GALVA | BOITE 11X25X7,5 ZN | BsCHSE 11X25X7,5 ZN | CASQUILLO 11X25X7,5 ZN |
| 56 | G66248207 | TENDICATENA SPAND. SP-520 | CHAIN TENSIONER | TENDEUR DE CHAINE EPAND. ENGR. | KETTENSANNER DsNGERSTR. SP-52 | SENSOR DE CADENA ABON. SP-520 |
| 57 | F01060050 | VITE M8X1,25X55 U5732 4.6 ZN | BOLT 8 X55 5732 4.6 GALVANIZED | VIS 8 X55 5732 4.6 ZN | SCHRAUBE 8 X55 5732 4.6 ZN | TORNILLO 8 X55 5732 4.6 ZN |
| 58 | G16630790 | INGR.Z8 5/8X3/8 TENDICAT.COMPL | GEAR Z8 5/8X3/8 CHAIN | | | |
| 59 | G22230138 | ASSE CAMBIO 4F.80-6F.45 L.1000 | GEAR SPINDLE 4-ROW 80- 6-ROW.4 | AXE BOITE DE VITESSE 4 RA | GETRIEBEACHSE 4 R. 80-6 R.45 L | EJE CAMBIO 4 FILAS. 80-6 FILAS |
| 60 | G20870028 | ASSE SERB.LATO TRAS.6F.L.1800 | AXLE- GEARBOX SIDE- 6-ROW L.18 | AXE RESERVOIR COTE ENTRAINEMEN | ACHSE BEHZLTER ANTRIEBSS. 6F.L | EJE DEPS. LADO TRANS. 6 FILA A |
| 61 | G19701413 | DECAL.CAMBIO RUOTA 6,50-15 | DECAL.WHEEL 6,50-15 | | | |
| 62 | G19703162 | DECAL.CAMBIO RUOTA 6,50-15 EST | LABEL WHELL GEAR 6,50-15 EXT | | | |
| 63 | G15470851 | FIANCO SUPP.TRASM.SPANDI | SPREADER TRANSM. SIDE SUPPORT | COTE SUPPORT TRANSM. EPAND. | SEITEN HALTER. ANTRIEB DUNGERS | COSTADO SOPORTE TRANSM. ABONAD |
| 64 | F01060047 | VITE M8X1,25X45 U5732 4.6 ZN | BOLT 8X45 5732 4.6 GALVANIZED | VIS 8X45 5732 4.6 ZN | SCHRAUBE 8X45 5732 4.6 ZN | TORNILLO 8X45 5732 4.6 ZN |
| 65 | G15473080 | CARTER RINVIO DA ANT.A POST. | INTERMEDIATE CASE | CARTER TRANSMISSION | VORGELEGEGEHZUSE | CµRTER TRANSMISIN C |
| 66 | G15272470 | PIASTRA PROLUNGA TRASM.SPAND. | TRANSMISSION EXTENSION PLATE | PLAQUE RALL. TRANSMISSION | VERL.PLATTE GETRIEBE | PLACA PROL. TRANSMISIEN |
| 67 | G18801520 | BOCCOLA 8,25 X15 X14 | BUSHING 8,25X15X14 | BOITE 8,25X15X14 | BsCHSE 8,25X15X14 | CASQUILLO 8,25X15X14 |
| 68 | G16630390 | PIGNONE Z15 5/8-3/8 Q.16,4 ZN | PINION Z-15 ZN | PIGNON Z-15 ZN | RITZE Z-15 ZN | PINION Z-15 ZN |
| 69 | F01070074 | VITE M4,2X1,41X25 U6954 4.8NI | BOLT 4-2X25 DIN 7981 | VIS 4-2X25 DIN 7981 | SCHRAUBE 4-2X25 DIN 7981 | TORNILLO 4-2X25 DIN 7981 |
| 70 | G18701650 | RONDELLA FORO QUADRO ZN | WASHER 16,5X30X2,5 ZN | RONDELLE 16,5X30X2,5 ZN | UNTERLEGSCHIEBE 16,5X30X2,5 ZN | ARANDELA 16,5X30X2,5 ZN |
| 71 | G66248218 | RONDELLA DISTAN.SPANDI | MAN. SPR. SPACER WASHER | RONDELLE ENTRETOISE EP. ENGRAI | ABSTANDSCHEIBE DsNGERSTREUER | ARANDELA DISTAN.ABONAD. |
| 72 | G15470381 | SUPPORTO RINVIO TUBO 150 | TRANSM. SUPPORT FOR PIPE 150 | SUPPORT RENVOI POUR TUBE 150 | HALTERUNG VORGELEGE ROHR 150 | SOPORTE TRANSMISION TUBO 150 |
| 73 | G20970012 | RONDELLA 32X4X11 | WASHER 32X4X11 | RONDELLE 32X4X11 | UNTERLEGSCHIEBE 32X4X11 | ARANDELA 32X4X11 |
| 74 | F06080232 | CATENA 5/8 ASA 50 L 58 MAGLIE | ISO 10B-1 CHAIN LINK - 58-LINK | MAILLE CHAINE ISO 10B-1 58 MAI | KETTENRING ISO 10B-1 58 GLIEDE | ESLABN CADENA ISO 10B-1 58 ESL |



| Catena Chain | | Falsa maglia Offset link | Maglia giunto Connecting link |
|------------------|-------|--------------------------|-------------------------------|
| mod. | mm | Cod. | Cod. |
| 083 | 12,90 | F06080655 | F06080501 |
| 084 | 14,60 | F06080666 | F06080502 |
| 10 A-1 ASA 50 | 20,50 | F06080644 | F06080499 |

| Ingranaggi trasmissione seminatori | | | |
|------------------------------------|-----|-----|-----|
| A | Z16 | Z23 | Z23 |
| B | Z23 | Z16 | Z23 |

| Ingranaggi trasmissione spandiconcime e microgranulatore | | |
|--|-----|-----|
| A | Z10 | Z15 |
| B | Z30 | Z25 |

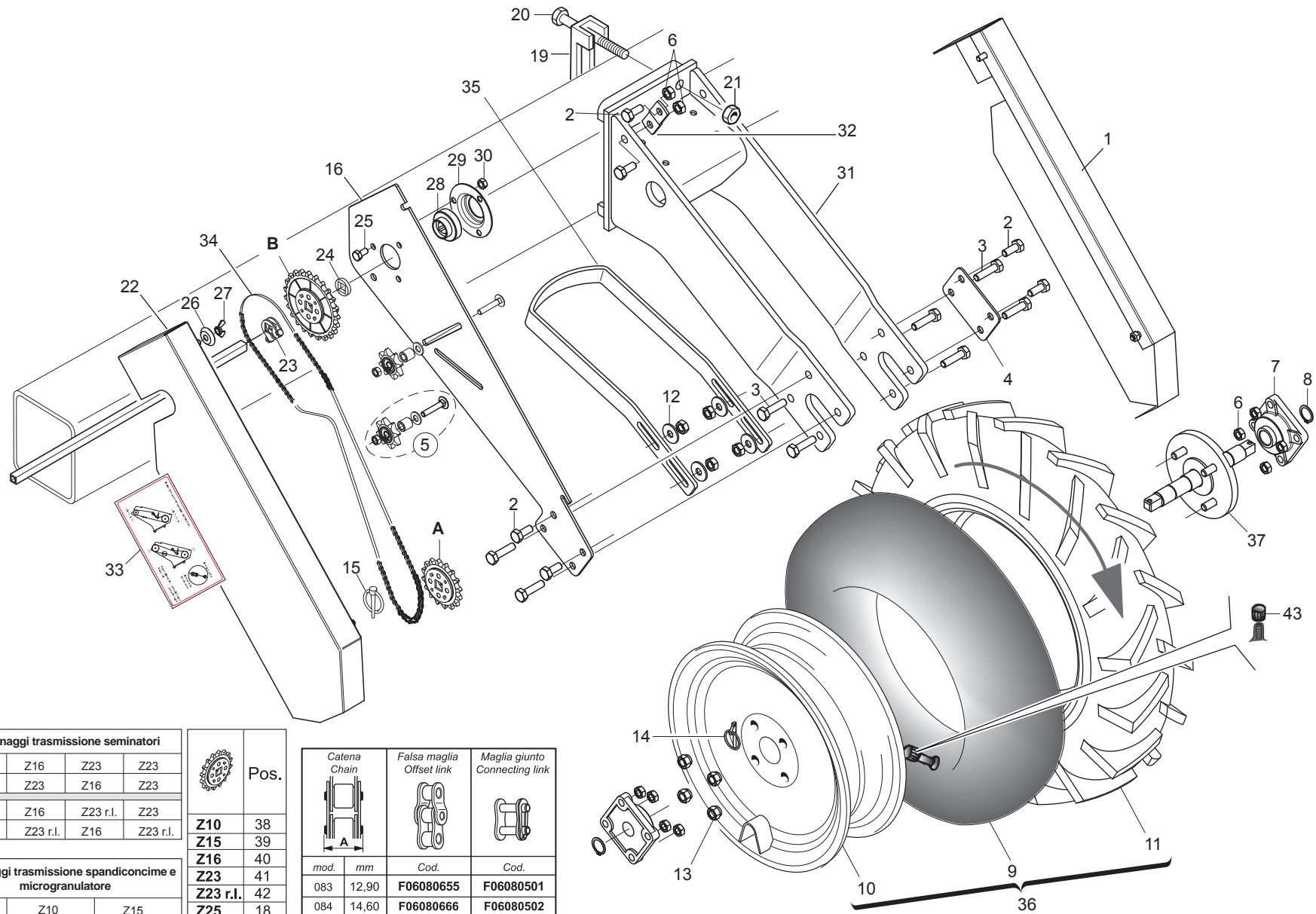
|  | Pos. |
|---|------|
| Z10 | 38 |
| Z15 | 39 |
| Z16 | 40 |
| Z23 | 41 |
| Z23 r.l. | 42 |
| Z25 | 43 |
| Z30 | 17 |

TRASMISSIONE RUOTE

TAV. 40


| Pos. | Cod. | Descrizione | Description | Description | Benennung | Descripcion |
|------|-----------|--------------------------------|--------------------------------|--------------------------------|--------------------------------|--------------------------------|
| 1 | G16630361 | CARTER SX | CARTER SX | | | |
| 2 | F01020472 | VITE M10X1,5X25 U5739 8.8 ZN | BOLT 10X25 5739 8.G GALVANIZED | VIS 10X25 5739 8.G ZN | SCHRAUBE 10X25 5739 8.G ZN | TORNILLO 10X25 5739 8.G ZN |
| 3 | F01020483 | VITE M10X1,5X40 U5739 10.9 ZD | SCREW M10X1,5X40 U5739 10.9 ZD | VIS M10X1,5X40 U5739 10.9 ZD | SCHRA.M10X1,5X40 U5739 10.9 ZD | TORN. M10X1,5X40 U5739 10.9 ZD |
| 4 | G16630380 | SCONTRIO 100X 70- 3 4F11 70X40 | STRIKER PLATE 100X70-3 4F | BUTEE 100X70-3 4F | ANSCHLAG 100X70-3 4F | ELEMENTO DE EMPALME 100X70-3 4 |
| 5 | G16630810 | KIT INGR.Z8 5/8"X3/8" CUSC. | GEARS KIT Z8 5/8"X3/8" | | | |
| 6 | F01200270 | DADO M10X 1,5 U5588 6.8 ZN | NUT M10X 1,5 U5588 6.8 ZN | ECROU M10X 1,5 U5588 6.8 ZN | MUTTER M10X 1,5 U5588 6.8 ZN | TUERCA M10X 1,5 U5588 6.8 ZN |
| 7 | F04100137 | SUPPORTO FY 25 TF | SUPPORT FY 25 TF | | | |
| 8 | F02050101 | ANELLO E. DE 25X 1,2 U7435 C70 | SEEGER RING E. 25X1,2 7435 C70 | SEEGER E. 25X 1,2 U7435 C70 | SEEGERING E. 25X 1,2 U7435 C70 | ANILLO E. 25X 1,2 U7435 C70 |
| 9 | G22270281 | ASSE RUOTA TRASM.MAGG. SP/S | INCREASED DRIVE WHEEL AXLE | AXE ROUE ENTRAINEMENT 6.50-15 | RADACHSE sBERBEM. ANTRIEB SP/S | EJE RUEDA TRANS. SOBREDIMENS. |
| 10 | F06120134 | CAMERA X R5.00-15 E 6.5/80-15 | INNER TUBE R5.00-15 6.5/80-15 | CHAMBRE R5.00-15 6.5/80-15 | KAMMER R5.00-15 6.5/80-15 | CAMARA R5.00-15 6.5/80-15 |
| 11 | F06120207 | CERCHIO 5J 15 H2 PV RAL 9001 | RIM 5J 15 H2 PV RAL 9001 | | | |
| 12 | F01420060 | ROS.M10 10,5X 30X2,5 U6593 ZN | WASHER 10,5X30 | RONDELLE 10,5X30 | SCHIEBE 10,5X30 | ARANDELA 10,5X30 |
| 13 | F01250040 | DADO COLON. 12X1.5 ZN | COLUMN NUT M12X1.5 STUD BOLT | ECROU M12X1. 5 COLONNE | SCHRAUBBOLZENMUTTER M12X1.5 | TUERCA 12X1.5 COLUMNA |
| 14 | F02200452 | SPINA SCATTO D.4,4 B/80 ZN | SNAP PIN D4,4 B/80 ZN | FICHE A DETENTE D4,4 B/80 ZN | EINRASTSTIFT D4,4 B/80 ZN | CLAVIJA DE MUELLE D4,4 B/80 ZN |
| 15 | F02200452 | SPINA SCATTO D.4,4 B/80 ZN | SNAP PIN D4,4 B/80 ZN | FICHE A DETENTE D4,4 B/80 ZN | EINRASTSTIFT D4,4 B/80 ZN | CLAVIJA DE MUELLE D4,4 B/80 ZN |
| 16 | G16630311 | SUPPORTO TRASMISSIONE SP540 | TRASM.SUPPORT SP541 | | | |
| 17 | G16630430 | PIGNONE Z-30 ZN. | PINION Z-30 ZN. | PIGNON Z-30 ZN. | RITZE Z-30 ZN. | PINION Z-30 ZN. |
| 18 | F06120116 | RUOTA 6.50/80-15 COMPL. | COMPLETE WHEEL 6.50/80-15 | | | |
| 19 | G15110091 | SCONTRIO A U SP.8 2F15 165 | STRIKER | BRIDE 150 MM | ANSCHLAG | ELEMENTO DE EMPALME |
| 20 | F01020236 | VITE M14X2X220 U5737 8.8 BR | BOLT M14X2X220 U5737 8.8 BR | VIS M14X2X220 U5737 8.8 BR | SCHRAUBE M14X2X220 U5737 8.8 | TORNILLO M14X2X220 U5737 8.8 |
| 21 | F01200306 | DADO M14X 2 U5588 6.8 ZN | NUT M14X2 | ECROU M14X2 | MUTTER M14X2 | DADO M14X2 |
| 22 | G16630351 | CARTER DX | RIGHT CARTER | | | |
| 23 | G22505085 | FERMO ASSE IN LAMIERA | PLATE AXLE STOP | ARRET AXE EN TOLE | FESTSTELLVORRICHTUNG BLECHACHS | BLOQUEO EJE DE CHAPA |
| 24 | G66248218 | RONDELLA DISTAN.SPANDI | MAN. SPR. SPACER WASHER | RONDELLE ENTRETOISE EP. ENGRAI | ABSTANDSCHEIBE DsNGERSTREUER | ARANDELA DISTAN.ABONAD. |
| 25 | F01020432 | VITE M 8X1,25X16 U5739 8.8 ZN | BOLT M8X 1.25X16 U5739 8.8 ZN | VIS M 8X16 | SCHRAUBE M 8X16 | TORNILLO M 8X16 |
| 26 | G22220083 | RONDELLA AD IMBOCCO | LEAD-IN WASHER | RONDELLE EMBOUTIE | TRICHTERSCHEIBE | ARANDELA DE MUESCA |
| 27 | F01240024 | DADO M 8X1,25 U5448 5.8 ZN | NUT 8 UNI 5448 5.8 ZN | ECROU 8 UNI 5448 5.8 ZN | MUTTER 8 UNI 5448 5.8 ZN | TUERCA 8 UNI 5448 5.8 ZN |
| 28 | G14830390 | CUSCINETTO FORO QUADRO | SQUARE-HOLED BEARING | ROULEMENT AL+SAGE CARR+ | VIERKANTLAGER | COJINETE ORIFICIO CUADRADO |
| 29 | G22230094 | BEARING SUPPORT | BEARING SUPPORT | SUPPORT PALIER | LAGERBsCHSE | SOPORTE COJINETE |
| 30 | F01220022 | DADO M 8X1,25 D980 8 ZN | NUT M8X 1,25 D980 8 ZN | ECROU M8X 1,25 D980 8 ZN | MUTTER M8X 1,25 D980 8 ZN | TUERCA M8X 1,25 D980 8 ZN |
| 31 | G22230138 | ASSE CAMBIO 4F.80-6F.45 L.1000 | GEAR SPINDLE 4-ROW 80- 6-ROW.4 | AXE BOITE DE VITESSE 4 RA | GETRIEBEACHSE 4 R. 80-6 R.45 L | EJE CAMBIO 4 FILAS. 80-6 FILAS |
| 32 | G16630320 | ATTACCO AL SUPPORTO RUOTA ZN | CONEXIN SOP. RUEDECILLA | | | |
| 33 | G19704690 | DECAL.DISP.CATENE/INGR.R.POST. | | | | |
| 34 | F06080168 | CATENA 5/8 ASA 50 L 86 MAGLIE | CHAIN 5/8 ISO 10B 86 SHACKLE | CHAINE ISO 10B-1 86 MAILLES | | |
| 35 | F06120180 | COPERTURA 6.5/80-15 IM 110 6PR | TYRE 6.5/80-15 IM 110 6PR | | | |
| 36 | G16630300 | SUPPORTO RUOTA 6,50/80-15 | WHEEL SUPPORT 6,50/80-15 | SUPPORT ROUE 6,50/80-15 | RADLAGER 6,50/80-15 | SOPORTE RUEDA 6,50/80-15 |
| 37 | G15430660 | RASCHIATERRA MAGGIORATO SP 530 | INCREASED SOIL-SCRAPER SP 530 | RACLEUR MAJOR. SP 530 | sBERGROSSER ERDSCHABER SP 530 | RASCADOR TIERRA OBREDIMENS. SP |
| 38 | G22220113 | INGRANAGGIO Z-10 FERRO | GEAR Z-10 IRON | ENGRENAGE Z-10 FER | ZAHNRAD Z-10 EISEN | ENGRANAJE Z-10 HIERRO |
| 39 | G16630390 | PIGNONE Z15 5/8-3/8 Q.16,4 ZN | PINION Z-15 ZN | PIGNON Z-15 ZN | RITZE Z-15 ZN | PINION Z-15 ZN |
| 40 | G16630400 | PIGNONE Z-16 ZN. | PINION Z-16 ZN. | PINION Z-16 ZN. | RITZE Z-16 ZN. | PINION Z-16 ZN. |
| 41 | G16630410 | PIGNONE Z-23 ZN. | PINION Z-23 ZN. | PINION Z-23 ZN. | RITZE Z-23 ZN. | PINION Z-23 ZN. |
| 42 | G16630370 | INGRANAGGIO R.LIB. Z-23 CSK25 | FREE WHEEL GEAR Z-23 CSK25 | ENGRENAGE Z23 ROUE LIBRE CSK25 | ZAHNRAD FREILAUF Z-23 CSK25 | ENGRANAJE R.LIBRE Z-23 CSK25 |
| 43 | G16630420 | PIGNONE Z-25 ZN. | PINION Z-25 ZN. | PINION Z-25 ZN. | RITZE Z-25 ZN. | PINION Z-25 ZN. |
| 44 | F05050025 | CAPPELOTTO PROTEZ. X VALV.PVC | PROTECTION CAP PVC X VALVA | CAPUCHON PROTECION PVC X VALVA | SCHUTZKAPPE PVC X VENTIL | TAPAPROTECION PVC X VALVA |




TAV. 50



| Ingranaggi trasmissione seminari | | | |
|----------------------------------|----------|----------|----------|
| A | Z16 | Z23 | Z23 |
| B | Z23 | Z16 | Z23 |
| A | Z16 | Z23 r.l. | Z23 |
| B | Z23 r.l. | Z16 | Z23 r.l. |

| Ingranaggi trasmissione spandiconcime e microgranulatore | | | |
|--|-----|-----|--|
| A | Z10 | Z15 | |
| B | Z30 | Z25 | |

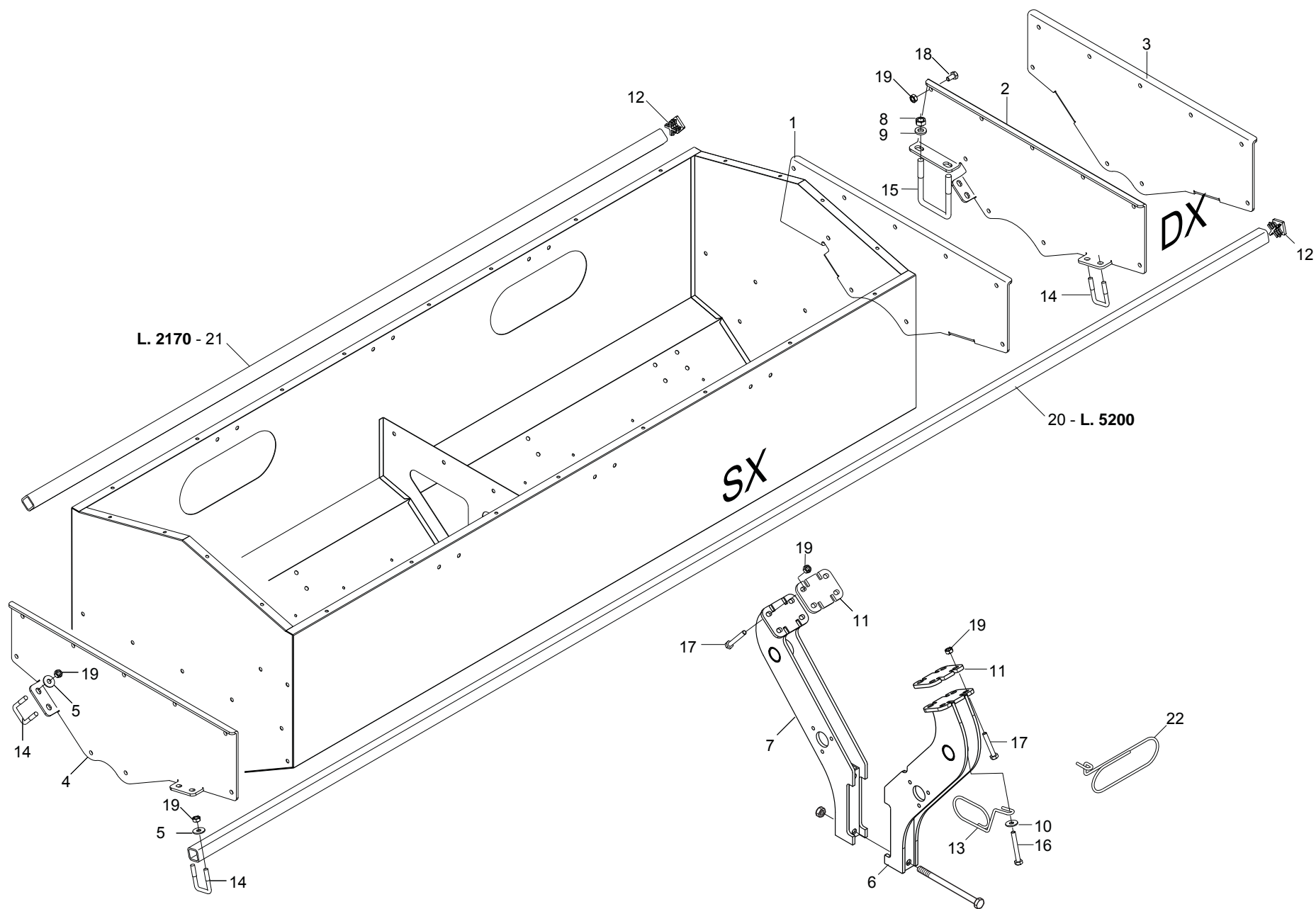
|  | Pos. |
|---|------|
| Z10 | 38 |
| Z15 | 39 |
| Z16 | 40 |
| Z23 | 41 |
| Z23 r.l. | 42 |
| Z25 | 18 |
| Z30 | 17 |

| Catena Chain | | Falsa maglia Offset link | | Maglia giunto Connecting link | |
|---|-------|---|-----------|---|-----------|
|  | mod. |  | Cod. |  | Cod. |
| 083 | 12,90 | | F06080655 | | F06080501 |
| 084 | 14,60 | | F06080666 | | F06080502 |
| ¹⁰ A-1 ASA 50 | 20,50 | | F06080644 | | F06080499 |

TRASMISSIONE RUOTE ANTERIORI

TAV. 50

| Pos. | Cod. | Descrizione | Description | Description | Benennung | Descrpcion |
|------|-----------|--------------------------------|--------------------------------|--------------------------------|--------------------------------|--------------------------------|
| 1 | G16630361 | CARTER SX | CARTER SX | | | |
| 2 | F01020472 | VITE M10X1,5X25 U5739 8.8 ZN | BOLT 10X25 5739 8.G GALVANIZED | VIS 10X25 5739 8.G ZN | SCHRAUBE 10X25 5739 8.G ZN | TORNILLO 10X25 5739 8.G ZN |
| 3 | F01020483 | VITE M10X1,5X40 U5739 10.9 ZD | SCREW M10X1,5X40 U5739 10.9 ZD | VIS M10X1,5X40 U5739 10.9 ZD | SCHRA.M10X1,5X40 U5739 10.9 ZD | TORN. M10X1,5X40 U5739 10.9 ZD |
| 4 | G16630380 | SCONTRIO 100X 70- 3 4F11 70X40 | STRIKER PLATE 100X70-3 4F | BUTEE 100X70-3 4F | ANSCHLAG 100X70-3 4F | ELEMENTO DE EMPALME 100X70-3 4 |
| 5 | G16630810 | KIT INGR.28 5/8"X3/8" CUSC. | GEARS KIT Z8 5/8"X3/8" | | | |
| 6 | F01200270 | DADO M10X 1,5 U5588 6.8 ZN | NUT M10X 1,5 U5588 6.8 ZN | ECROU M10X 1,5 U5588 6.8 ZN | MUTTER M10X 1,5 U5588 6.8 ZN | TUERCA M10X 1,5 U5588 6.8 ZN |
| 7 | F04100137 | SUPPORTO FY 25 TF | SUPPORT FY 25 TF | | | |
| 8 | F02050101 | ANELLO E. DE 25X 1,2 U7435 C70 | SEEGER RING E. 25X1,2 7435 C70 | SEEGER E. 25X 1,2 U7435 C70 | SEEGERING E. 25X 1,2 U7435 C70 | ANILLO E. 25X 1,2 U7435 C70 |
| 9 | F06120134 | CAMERA X R5.00-15 E 6.5/80-15 | INNER TUBE R5.00-15 6.5/80-15 | CHAMBRE R5.00-15 6.5/80-15 | KAMMER R5.00-15 6.5/80-15 | CAMARA R5.00-15 6.5/80-15 |
| 10 | F06120207 | CERCHIO 5J 15 H2 PV RAL 9001 | RIM 5J 15 H2 PV RAL 9001 | | | |
| 11 | F06120180 | COPERTURA 6.5/80-15 IM 110 6PR | TYRE 6.5/80-15 IM 110 6PR | | | |
| 12 | F01420060 | ROS.M10 10,5X 30X2,5 U6593 ZN | WASHER 10,5X30 | RONDELLE 10,5X30 | SCHEIBE 10,5X30 | ARANDELA 10,5X30 |
| 13 | F01250040 | DADO COLON. 12X1.5 ZN | COLUMN NUT M12X1.5 STUD BOLT | ECROU M12X1.5 COLONNE | SCHRAUBBOLZENMUTTER M12X1.5 | TUERCA 12X1.5 COLUMNA |
| 14 | F02200452 | SPINA SCATTO D.4,4 B/80 ZN | SNAP PIN D4,4 B/80 ZN | FICHE A DETENTE D4,4 B/80 ZN | EINRASTSTIFT D4,4 B/80 ZN | CLAVIJA DE MUELLE D4,4 B/80 ZN |
| 15 | F02200452 | SPINA SCATTO D.4,4 B/80 ZN | SNAP PIN D4,4 B/80 ZN | FICHE A DETENTE D4,4 B/80 ZN | EINRASTSTIFT D4,4 B/80 ZN | CLAVIJA DE MUELLE D4,4 B/80 ZN |
| 16 | G16630311 | SUPPORTO TRASMISSIONE SP540 | TRASM.SUPPORT SP541 | | | |
| 17 | G16630430 | PIGNONE Z-30 ZN. | PINION Z-30 ZN. | PIGNON Z-30 ZN. | RITZE Z-30 ZN. | PINION Z-30 ZN. |
| 18 | G16630420 | PIGNONE Z-25 ZN. | PINION Z-25 ZN. | PIGNON Z-25 ZN. | RITZE Z-25 ZN. | PINION Z-25 ZN. |
| 19 | G15110091 | SCONTRIO A U SP.8 2F15 165 | STRIKER | BRIDE 150 MM | ANSCHLAG | ELEMENTO DE EMPALME |
| 20 | F01020236 | VITE M14X2X220 U5737 8.8 BR | BOLT M14X2X220 U5737 8.8 BR | VIS M14X2X220 U5737 8.8 BR | SCHRAUBE M14X2X220 U5737 8.8 | TORNILLO M14X2X220 U5737 8.8 |
| 21 | F01200306 | DADO M14X 2 U5588 6.8 ZN | NUT M14X2 | ECROU M14X2 | MUTTER M14X2 | DADO M14X2 |
| 22 | G16630351 | CARTER DX | RIGHT CARTER | | | |
| 23 | G22505085 | FERMO ASSE IN LAMIERA | PLATE AXLE STOP | ARRET AXE EN TOLE | FESTSTELLVORRICHTUNG BLECHACHS | BLOQUEO EJE DE CHAPA |
| 24 | G66248218 | RONDELLA DISTAN.SPANDI | MAN. SPR. SPACER WASHER | RONDELLE ENTRETOISE EP. ENGRAI | ABSTANDSCHEIBE DsNGERSTREUER | ARANDELA DISTAN.ABONAD. |
| 25 | F01020432 | VITE M 8X1,25X16 U5739 8.8 ZN | BOLT M8X 1.25X16 U5739 8.8 ZN | VIS M 8X16 | SCHRAUBE M 8X16 | TORNILLO M 8X16 |
| 26 | G22220083 | RONDELLA AD IMBOCCO | LEAD-IN WASHER | RONDELLE EMBOUTIE | TRICHTERSCHEIBE | ARANDELA DE MUESCA |
| 27 | F01240024 | DADO M 8X1,25 U5448 5.8 ZN | NUT 8 UNI 5448 5.8 ZN | ECROU 8 UNI 5448 5.8 ZN | MUTTER 8 UNI 5448 5.8 ZN | TUERCA 8 UNI 5448 5.8 ZN |
| 28 | G14830390 | CUSCINETTO FORO QUADRO | SQUARE-HOLED BEARING | ROULEMENT AL+SAGE CARR+ | VIERKANTLAGER | COJINETE ORIFICIO CUADRADO |
| 29 | G22230094 | BEARING SUPPORT | BEARING SUPPORT | SUPPORT PALIER | LAGERBsCHSE | SOPORTE COJINETE |
| 30 | F01220022 | DADO M 8X1,25 D980 8 ZN | NUT M8X 1,25 D980 8 ZN | ECROU M8X 1,25 D980 8 ZN | MUTTER M8X 1,25 D980 8 ZN | TUERCA M8X 1,25 D980 8 ZN |
| 31 | G16630300 | SUPPORTO RUOTA 6,50/80-15 | WHEEL SUPPORT 6,50/80-15 | SUPPORT ROUE 6,50/80-15 | RADLAGER 6,50/80-15 | SOPORTE RUEDA 6,50/80-15 |
| 32 | G16630320 | ATTACCO AL SUPPORTO RUOTA ZN | CONEXIN SOP. RUEDECILLA | | | |
| 33 | G19704701 | DECAL.CATENE/INGR.RUOTE ANT. | STICKER | DECALCOMANIE | ABZIEHBILDER | CALCOMANIAS |
| 34 | F06080168 | CATENA 5/8 ASA 50 L 86 MAGLIE | CHAIN 5/8 ISO 10B 86 SHACKLE | CHAINE ISO 10B-1 86 MAILLES | | |
| 35 | F15430660 | RASCHIATERRA MAGGIORATO SP 530 | INCREASED SOIL-SCRAPER SP 530 | RACLEUR MAJOR. SP 530 | sBERGROSSER ERDSCHABER SP 530 | RASCADOR TIERRA OBREDIMENS. SP |
| 36 | F06120116 | RUOTA 6.50/80-15 COMPL. | COMPLETE WHEEL 6.50/80-15 | | | |
| 37 | G22270281 | ASSE RUOTA TRASM.MAGG. SP/S | INCREASED DRIVE WHEEL AXLE | AXE ROUE ENTRAINEMENT 6.50-15 | RADACHSE sBERBEM. ANTRIEB SP/S | EJE RUEDA TRANS. SOBREDIMENS. |
| 38 | G22220113 | INGRANAGGIO Z-10 FERRO | GEAR Z-10 IRON | ENGRENAGE Z-10 FER | ZAHNRAD Z-10 EISEN | ENGRANAJE Z-10 HIERRO |
| 39 | G16630390 | PIGNONE Z15 5/8-3/8 Q.16,4 ZN | PINION Z-15 ZN | PIGNON Z-15 ZN | RITZE Z-15 ZN | PINION Z-15 ZN |
| 40 | G16630400 | PIGNONE Z-16 ZN. | PINION Z-16 ZN. | PINION Z-16 ZN. | RITZE Z-16 ZN. | PINION Z-16 ZN. |
| 41 | G16630410 | PIGNONE Z-23 ZN. | PINION Z-23 ZN. | PIGNON Z-23 ZN. | RITZE Z-23 ZN. | PINION Z-23 ZN. |
| 42 | G16630370 | INGRANAGGIO R.LIB. Z-23 CSK25 | FREE WHEEL GEAR Z-23 CSK25 | ENGRENAGE Z23 ROUE LIBRE CSK25 | ZAHNRAD FREILAUF Z-23 CSK25 | ENGRANAJE R.LIBRE Z-23 CSK25 |
| 43 | F05050025 | CAPPELOTTO PROTEZ. X VALV.PVC | PROTECTION CAP PVC X VALVA | CAPUCHON PROTECION PVC X VALVA | SCHUTZKAPPE PVC X VENTIL | TAPA PROTECION PVC X VALVA |

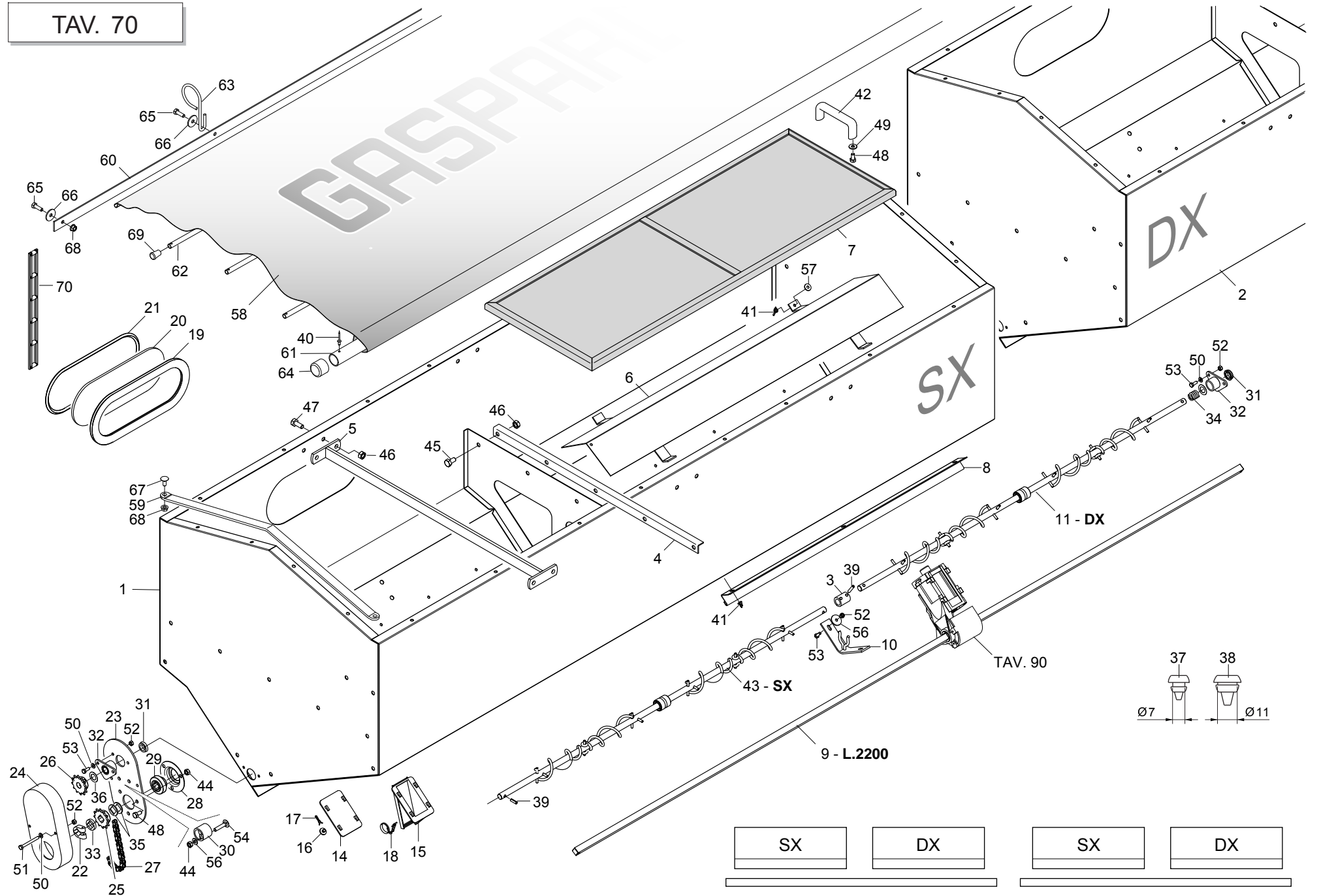


SUPPORTI SERBATOI SPANDICONCIME

TAV. 60

| Pos. | Cod. | Descrizione | Description | Description | Benennung | Description |
|------|-----------|--------------------------------|--------------------------------|-------------------------------|---------------------------------|--------------------------------|
| 1 | G15273322 | FIANCO SUPP.INTERNO SX. | L.INTERNAL SUPPORT SIDE | | | |
| 2 | G15273332 | FIANCO SUPP.INTERNO DX. | R.INTERNAL SUPPORT SIDE | | | |
| 3 | G15273341 | FIANCO SUPP.ESTERNO DX | R.OUTER SUPPORT SIDE | | | |
| 4 | G15273351 | FIANCO SUPP.ESTERNO SX | L.OUTER SUPPORT SIDE | | | |
| 5 | F01420059 | ROS.M10 10,5X 30X2,5 U6593 IX | WASHER 11X30X2,5 6593 A2 | RONDELLE 11X30X2,5 6593 A2 | UNTERLEGSSCHEIBE 11X30X2,5 6593 | ARANDELA 11X30X2,5 6593 A2 |
| 6 | G15273444 | ASS.SUPP.POSTERIORE | ASS.SUPP.REAR | | | |
| 7 | G15273472 | SUPPORTO FRONTALE | FRONT SUPPORT | | | |
| 8 | F01200306 | DADO M14X 2 U5588 6.8 ZN | NUT M14X2 | ECROU M14X2 | MUTTER M14X2 | DADO M14X2 |
| 9 | G20970142 | RONDELLA 32X4X15,5 | WASHER 32X4X15-5 | RONDELLE 32X4X15-5 | UNTERLEGSSCHEIBE 32X4X15-5 | ARANDELA 32X4X15-5 |
| 10 | F01420060 | ROS.M10 10,5X 30X2,5 U6593 ZN | WASHER 10,5X30 | RONDELLE 10,5X30 | SCHEIBE 10,5X30 | ARANDELA 10,5X30 |
| 11 | G15274520 | PIASTRA D'APPOGGIO MTE300 | | | | |
| 12 | F20120346 | PUNTALE Q 35 ALETT.POLIT.NERO | | | | |
| 13 | G18904050 | MOLLA GUIDA 2 TUBI DEPRESS. ZN | TUBE GUIDE SPRING | RESSORT GUIDE-TUBES | EDER ROHRF_HRUNG | MUELLE GUA TUBOS |
| 14 | F20110706 | CAV.Q.B=35 M=10X1,5 L=60 | U BOLT Q.B=35 M=10X1,5 L=60 | CAVALIER SUPPORT DISQUE SV | VERBINDUNG SCHEIBENHALTERUNG S | PERNO EN U SOP. DISCO SV |
| 15 | F20110770 | CAV.Q.B=80 M=14X2 L=119 | U BOLT Q.B=80 M=14X2 L=119 | BRIDE U M14X2X50 96X119 ZN | ANSCHLANG U M14X2X50 96X119 ZN | EL.DE EMPALME M14X2X50 96X119 |
| 16 | F01220048 | DADO M12X1,75 D980 8 ZN | NUT M12X1,75 D980 8 ZN | ECROU M12X1,75 D980 8 ZN | SCHEIBE M12X1,75 D980 8 ZN | TUERCA M12X1,75 D980 8 ZN |
| 17 | F01020143 | VITE M10X1,5X65 U5737 A2 IX | BOLT M10X 1,5X 65 U5737 8.8 IX | VIS M10X 1,5X 65 U5737 8.8 IX | SCHRAUBE M10X 1,5X 65 U5737 8. | TORNIL. M10X 1,5X 65 U5737 8.8 |
| 18 | F01020462 | VITE M10X1,5 X20 U5739 A2 IX | BOLT M10X1,5 X 20 U5739 8.8 IX | VIS M10X1,5 X 20 U5739 8.8 IX | SCHRAUBE M10X1,5 X 20 U5739 8. | TORNIL. M10X1,5 X 20 U5739 8.8 |
| 19 | F01200271 | DADO M10X 1,5 U5588 A2 IX | NUT 10 5588 6.8 INOX | ECROU 10 5588 6.8 INOX | MUTTER 10 5588 6.8 INOX | TUERCA 10 5588 6.8 INOX |
| 20 | G15275360 | TUBO Q. 35X 4X5200 | TUBE Q. 35X 4X5200 | | | |
| 21 | G16011830 | TUBO Q. 35X 4X2170 | TUBE Q. 35X 4X2170 | | | |
| 22 | G18903860 | MOLLA GUIDA 3 TUBI ZN | GUIDE SPRING 3 PIPE ZN | | | |

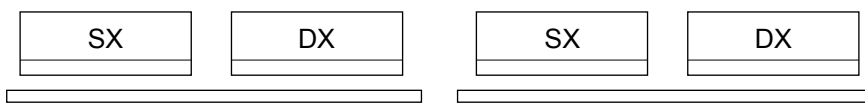
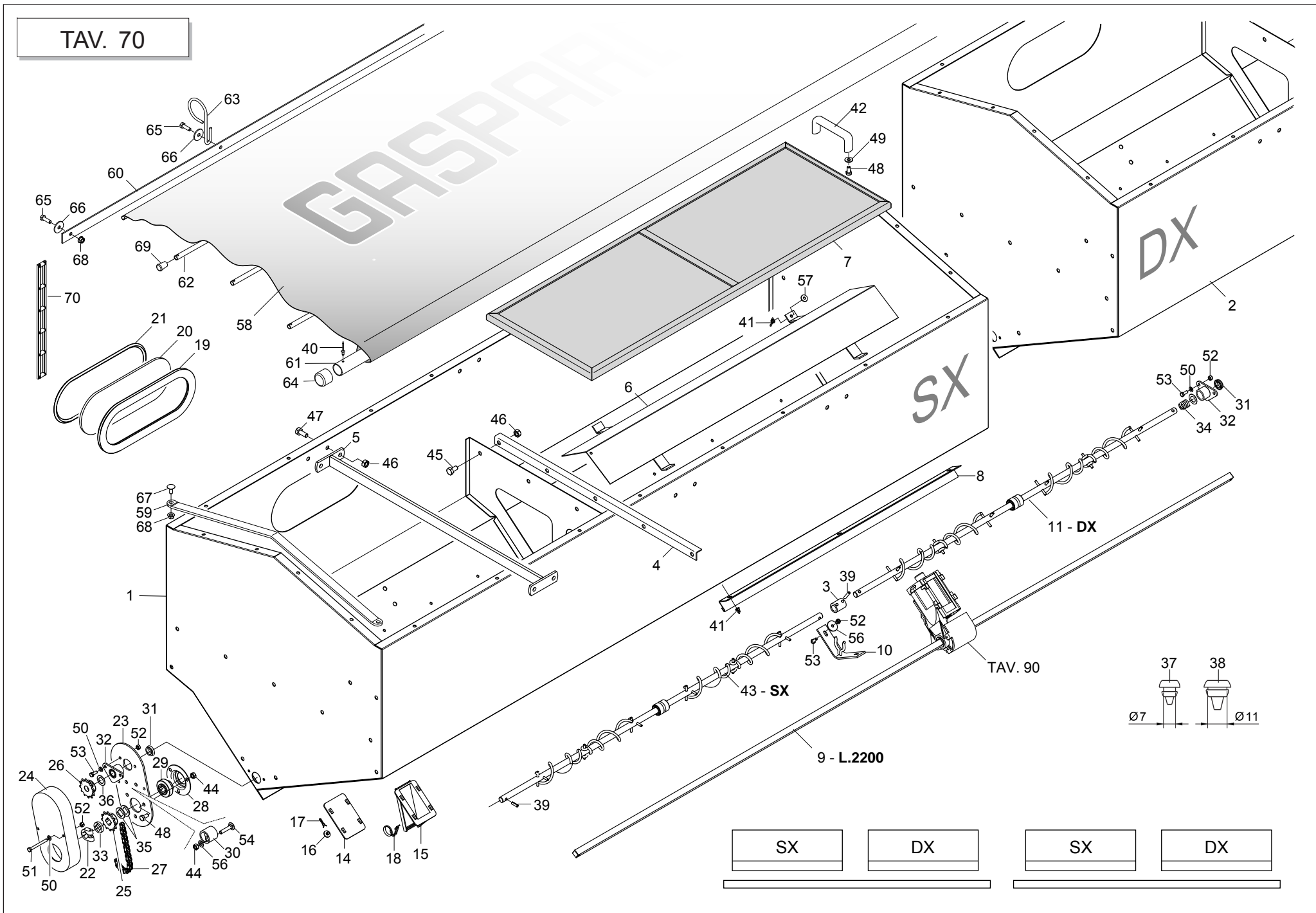
TAV. 70



SERBATOI SPANDICONCIME

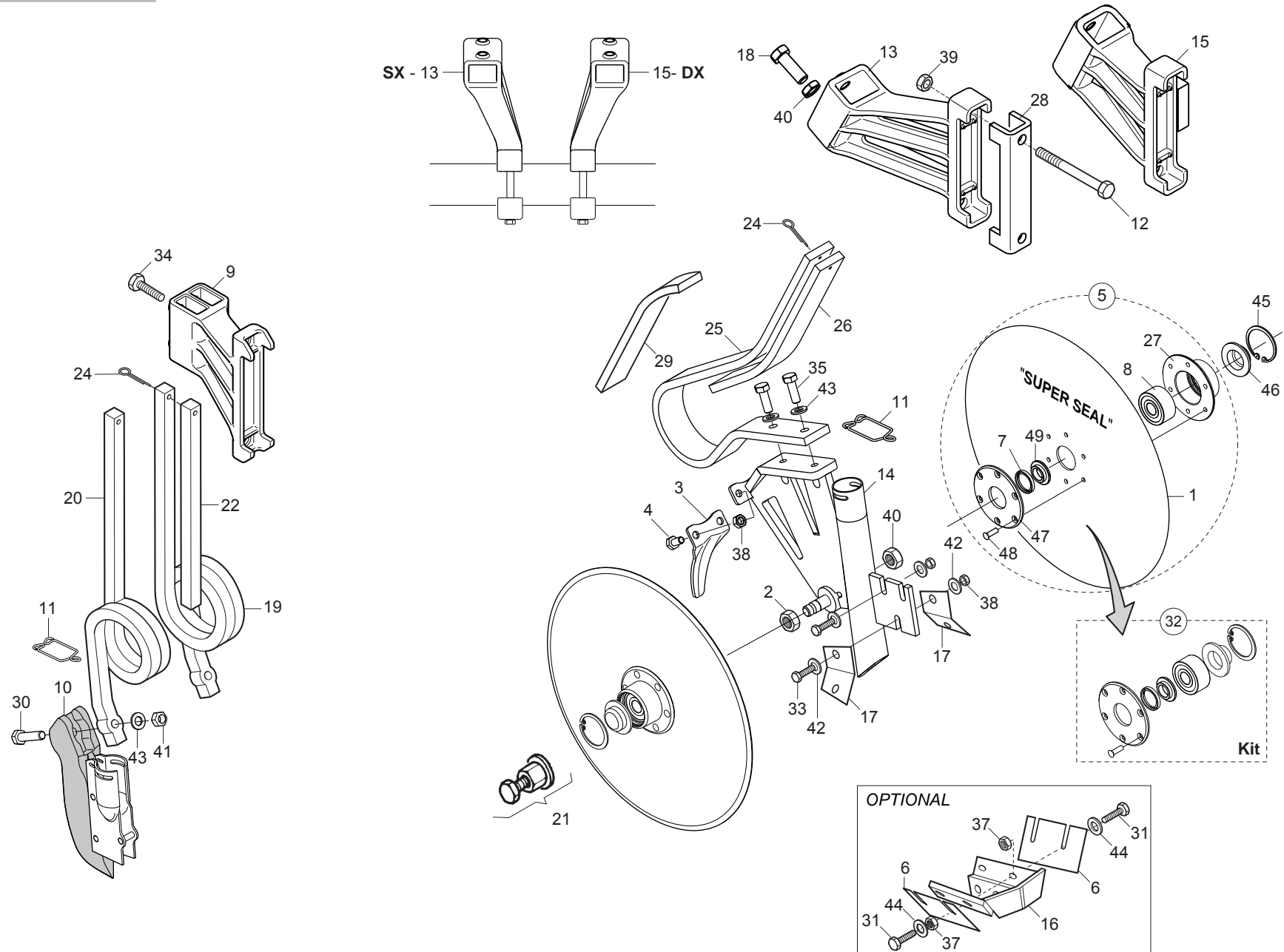
TAV. 70

| Pos. | Cod. | Descrizione | Description | Description | Benennung | Descrpcion |
|------|-----------|--------------------------------|--------------------------------|---------------------------------|---------------------------------|--------------------------------|
| 1 | G15275930 | ASS.SPANDI SX METRO 09 | LEFT SPREADER ASSEMBLY | ASSEMBLAGE +PANDEUR GCH | | ENS. ABONADORA IZQ |
| 2 | G15276020 | ASS.SPANDI DX METRO 09 | RIGHT SPREADER ASSEMBLY | ASSEMBLAGE +PANDEUR DE | | ENS. ABONADORA DER |
| 3 | G15275440 | BOCCOLA DI COLLEGAMENTO | CONNECTING BUSHING | | | |
| 4 | G15273540 | LAMIERA APPOGGIO GRIGLIA | GRID SUPPORT BRACKET | +TRIER SUPPORT GRILLE | GITTERHALTB_GEL | ESTRIBO SOPORTE REJILLA |
| 5 | G15273560 | TIRANTE INTERNO | INNER TIE ROD | | | |
| 6 | G15273581 | TEGOLO MTE300 | BENT TILE MTE300 | | | |
| 7 | G15273840 | GRIGLIA SERBATOIO MTE300 | TANK GRID. MTE300 | GRILLE RESERVOIR MTE300 | BEHZLTERGITTER MTE300 | REJILLA DEPS. MTE300 |
| 8 | G15273621 | PORTA PULIZIA | CLEANING DOOR | PORTE DE NETTOYAGE | REINIGUNGST_R | PUERTA LIMPIEZA |
| 9 | G22250276 | ASSE TRASM.SEMINAT.L.2200 SV | AXLE- SEEDING MACH. GEARBOX L. | AXE ENTRAINEMENT SEMEUR L. 220 | ACHSE SZELEMENT-ANTRIEB.L.2200 | EJE TRANS.SEMBR. L.2200 SV |
| 10 | G15273700 | SUPPORTO COCLEA | BOLT SUPPORT | SUPPORT VIS ALIMENTATION | HALTERUNG SCHNECKE | SOPORTE C CLEA |
| 11 | G15275460 | MONT.ASSE AGITAT.BBP METRO | AGITATOR SHAFT ASSEMBLY | | | |
| 12 | G19003660 | SUPPORTO | SUPPORT | SUPPORT | HALTERUNG | SOPORTE |
| 13 | G16670180 | INGRANAGGIO Z.15-DISTANZ.COMPL | COMPLETE GEAR Z.15-SPACER | ENGRENAGE Z.15 ENTRET. COMPL. | ZAHNRAD Z.15-KOMPL. DISTANZST | ENGRANAJE Z.15-DISTANC.COMPL |
| 14 | G66248184 | CHIUSURA USCITA SERB.SPAND.SP | OUTLET CLOSURE- MAN.SPREAD. TA | FERMETURE SORTIE RESERVOIR FER | VERSCHLUSS AUSTRITT DsNGERSTR. | CIERRE SALIDA DEPS. ABON. SP I |
| 15 | G66248187 | SCARICO SERB.SPAND.TIPO MICRO | MICRO TYPE MAN.SPR.TANK DISCH. | TRAPPE DE VIDANGE TYPE MICRO | BEHZLTERENTLADUNG STREUER TYP | DESCARGA DEPS. ABON.TIPO MICRD |
| 16 | G66248224 | FERMO DISTRIBUTORE SPAND. | FERT. SPR. DISTRIB. STOP | ARRET DISTRIBUTEUR EP. ENGRAIS | FESTSTELLVORRICHTUNG SZAPP. ST | BLOQUEO DISTRIBUIDOR ABON. |
| 17 | G65336089 | MOLLA SPEC.TENUTA FERMO SPAND. | SPEC.SPRING- BLOCK. MAN. SPR. | RESSORT SPEC. D'ETANCHEITE ARR | SPEZIALFEDER DICHTUNG STREUER | MUELLE ESPEC. RETENC. BLOQ |
| 18 | G65336080 | MOLLA SPEC.SCARICO SPAND.T.M. | SPEC. SPRING SPREDER RELIEF | | | |
| 19 | F03011155 | GUARNIZIONE VETRO TRAMOGGIA | GLASS SEAL | GARNITURE VERRE | GLASDICHTUNG | JUNTA VIDRIO |
| 20 | G16021080 | VETRO CONTROLLO LIVELLO SEMI | SEED LEVEL CHECKING GLASS | VITRE CONTROLE NIV. GRAINES | KONTROLLFENSTER SAMENSTAND | VIDRIO CONTROL NIVEL SEMILLAS |
| 21 | G68005092 | TENDITORE GUARNIZIONE | TURNBUCKLE GASKET | TENDEUR GARNITURE | DICHTUNGSSPANNER | SENSOR JUNTA |
| 22 | G22505085 | FERMO ASSE IN LAMIERA | PLATE AXLE STOP | ARRET AXE EN TOLE | FESTSTELLVORRICHTUNG BLECHACHS | BLOQUEO EJE DE CHAPA |
| 23 | G15471930 | PROTEZIONE | GUARD | PROTECTION | SCHUTZ | PROTECCIN P |
| 24 | G17170270 | PROTEZIONE RINVIO SERBATOIO | INTERNAL TRANSMISS. TANK PROTE | PROTECTION RENVOI TREMIE | VORGELEGESCHUTZ BEH-LTER | PROTECCION ENVIO DEPOSITO |
| 25 | G20860086 | INGRANAGGIO 1/2 Z-12 F.Q. | GEAR 1/2 Z-12 F.Q. | ENGRENAGE 1/2 Z-12 TROUS CARRE | ZAHNRAD 1/2 Z-12 F.Q. | ENGRANAJE 1/2 Z-12 F.Q. |
| 26 | G20860088 | INGRANAGGIO 1/2 Z-12 F.T. | GEAR 1/2 Z-12 F.T. | ENGRENAGE 1/2 Z-12 TROUS ROUNDS | ZAHNRAD 1/2 Z-12 F.T. | ENGRANAJE 1/2 Z-12 F.T. |
| 27 | F06080196 | CATENA 1/2 ISO 083 32 MAGLIE | CUT-DOWN CHAIN .1/2 ISO 083 32 | TRONCON CHAINE 1/2 ISO 083 32 | KETTENZLNZGE 1/2 ISO 083 32 GL | TRECHO CADENA 1/2 ISO 083 32 |
| 28 | G22230094 | BEARING SUPPORT | BEARING SUPPORT | SUPPORT PALIER | LAGERBsCHSE | SOPORTE COJINETE |
| 29 | G14830390 | CUSCINETTO FORO QUADRO | SQUARE-HOLED BEARING | ROULEMENT AL+SAGE CARR+ | VIERKANTLAGER | COJINETE ORIFICIO CUADRADO |
| 30 | G66248207 | TENDICATENA SPAND. SP-520 | CHAIN TENSIONER | TENDEUR DE CHAINE EPAND. ENGR. | KETTENSPELLER DsNGERSTR. SP-52 | SENSOR DE CADENA ABON. SP-520 |
| 31 | F03011081 | GUARNIZIONI LABBRO DE100 | LIP GASKET D100 | | | |
| 32 | G66248121 | BOCCOLA CON FLANGIA M80 | BUSHING W/ FLANGE M80 | SUPPORT AVEC BRIDE M80 | BsCHSE MIT FLANSCH M80 | CASQUILLO CON BRIDA M80 |
| 33 | G66248218 | RONDELLA DISTAN.SPANDI | MAN. SPR. SPACER WASHER | RONDELLE ENTRETOISE EP. ENGRAI | ABSTANDSCHEIBE DsNGERSTREUER | ARANDELA DISTAN.ABONAD. |
| 34 | G65338043 | MOLLA COMP.ZN SERB. M80 | ZN TANK COMP.SPRING M80 | RESSORT COMPL. ZN RESERVOIR M8 | DRUCKFEDER ZN BEHZLTER M80 | MUELLE COMP.ZN DEPS. M80 A |
| 35 | G18701650 | RONDELLA FORO QUADRO ZN | WASHER 16,5X30X2,5 ZN | RONDELLE 16,5X30X2,5 ZN | UNTERLEGSCHSEIBE 16,5X30X2,5 ZN | ARANDELA 16,5X30X2,5 ZN |
| 36 | G22220073 | RONDELLA 28X0,3X16,5 | WASHER 28X0,3X16-5 | RONDELLE 28X0-3X16-5 | UNTERLEGSCHSEIBE 28X0-3X16-5 | ARANDELA 28X0-3X16-5 |
| 37 | G19003160 | TAPPO PER FORO D.7 | PLUG FOR D.7 HOLE | BOUCHON POUR TROU D.7 P | FROPFFEN FsR LOCH D.7 T | APN PARA AGUJERO D.7 DO |
| 38 | G66248223 | TAPPO SUPP.SPAND.D.11 | PLUG MAN. SPR. SUPP. D.11 | BOUCHON SUPPORT EP. ENGRAIS D. | HALTERUNGSPFROPFFEN DsNGERSTR. | TAPN SOPORTE ABON.D.11 D |
| 39 | F02100114 | SPINA E.P. 6X 30 U6873 C70 BR | ELASTIC PIN 6X30 | GOUJON ELASTIQUE 6X30 | SPANNHUELSE 6X30 | ESPINA ELASTICA 6X30 |
| 40 | F02250123 | RIVETTO STR. 4,8X 9 U9200A AL | PULL RIVET 4,8X 9 U9200A ALL | RIVET A RUPTURE 4,8X 9 U9200A | REISSNIETE 4,8X 9 U9200A ALL | REMACHE DESGAR. 4,8X 9 U9200A |
| 41 | F01240012 | DADO M 6X 1 U5448 5.8 ZN | NUT 6 UNI 5448 5.8 ZN | ECROU 6 UNI 5448 5.8 ZN | MUTTER 6 UNI 5448 5.8 ZN | TUERCA 6 UNI 5448 5.8 ZN |
| 42 | F05150112 | MANIGLIA INTERAS. 117 FORO 8MM | HANDLE | POIGNEE | HANDGRIF | MANILLA |
| 43 | G15273610 | ASSE AGITAT.SERBAT.UNICO COMPL | STIRRER SPINDLE BB300 TANK | AXE AGITATEUR RESERVOIR BB300 | SAMENMISCHERACHSE BEH. BB300 | EJE AGITAD. DEPS. BB300 |
| 44 | F01200245 | DADO M 8X1,25 U5588 A2 IX | NUT M 8X1,25 U5588 6.8 IX | ECROU M 8X1,25 U5588 6.8 I | MUTTER M 8X1,25 U5588 6.8 | TUERCA M 8X1,25 U5588 6.8 |
| 45 | F01020462 | VITE M10X1,5 X20 U5739 A2 IX | BOLT M10X1,5 X 20 U5739 8.8 IX | VIS M10X1,5 X 20 U5739 8.8 IX | SCHRAUBE M10X1,5 X 20 U5739 8. | TORNIL. M10X1,5 X 20 U5739 8.8 |
| 46 | F01200271 | DADO M10X 1,5 U5588 A2 IX | NUT 10 5588 6.8 INOX | ECROU 10 5588 6.8 INOX | MUTTER 10 5588 6.8 INOX | TUERCA 10 5588 6.8 INOX |
| 47 | F01020463 | VITE M10X1,5 X25 U5739 A2 IX | BOLT 10X25 5739 INOX A2 | VIS 10X25 5739 INOX A2 | SCHRAUBE 10X25 5739 INOX A2 | TORNILLO 10X25 5739 INOX A2 |
| 48 | F01020434 | VITE M 8X1,25X16 U5739 A2 IX | BOLT M 8X1,25X 16 U5739 8.8 IX | VIS M 8X1,25X 16 U5739 8.8 IX | SCHRAUBE M 8X1,25X 16 U5739 8. | TORNIL. M 8X1,25X 16 U5739 8.8 |
| 49 | G20970140 | RONDELLA 20X2X8,5 | WASHER 20X2X8,5 | RONDELLE 20X2X8,5 | UNTERLEGSCHSEIBE 20X2X8,5 | ARANDELA 20X2X8,5 |
| 50 | F01410034 | ROS.M6 6,4X12,5X1,6 U6592 IX | WASHER M6 6,4X12,5X1,6 U6592 | | | |
| 51 | F01020043 | VITE M6X1X60 U5737 8.8 ZN | SCREW M6X1X60 U5737 8.8 ZN | VIS M6X1X60 U5737 8.8 ZN | SCHRAUBE M6X1X60 U5737 8.8 ZN | TORNILLO M6X1X60 U5737 8.8 ZN |
| 52 | F01200233 | DADO M 6X 1 U5588 A2 IX | NUT M 6X 1 U5588 IX | ECROU M 6X 1 U5588 I | MUTTER M 6X 1 U5588 | TUERCA M 6X 1 U5588 |
| 53 | F01020419 | VITE M 6X1 X 16 U5739 A2 IX | BOLT M6 X1 X 16 U5739 8.8 IX | VIS M6 X1 X 16 U5739 8.8 IX | SCHRAUBE M6 X1 X 16 U5739 8. | TORNIL. M6 X1 X 16 U5739 8.8 |
| 54 | F01020068 | VITE M 8X1,25X40 U5737 8.8 ZN | BOLT M8X1,25X40 U5737 8.8 ZN | VIS M 8X1,25X40 U5737 8.8 ZN | SCHRA. M8X1,25X40 U5737 8.8 ZN | TORNIL.M8X1,25X40 U5737 8.8 ZN |



SERBATOI SPANDICONCIME
TAV. 70

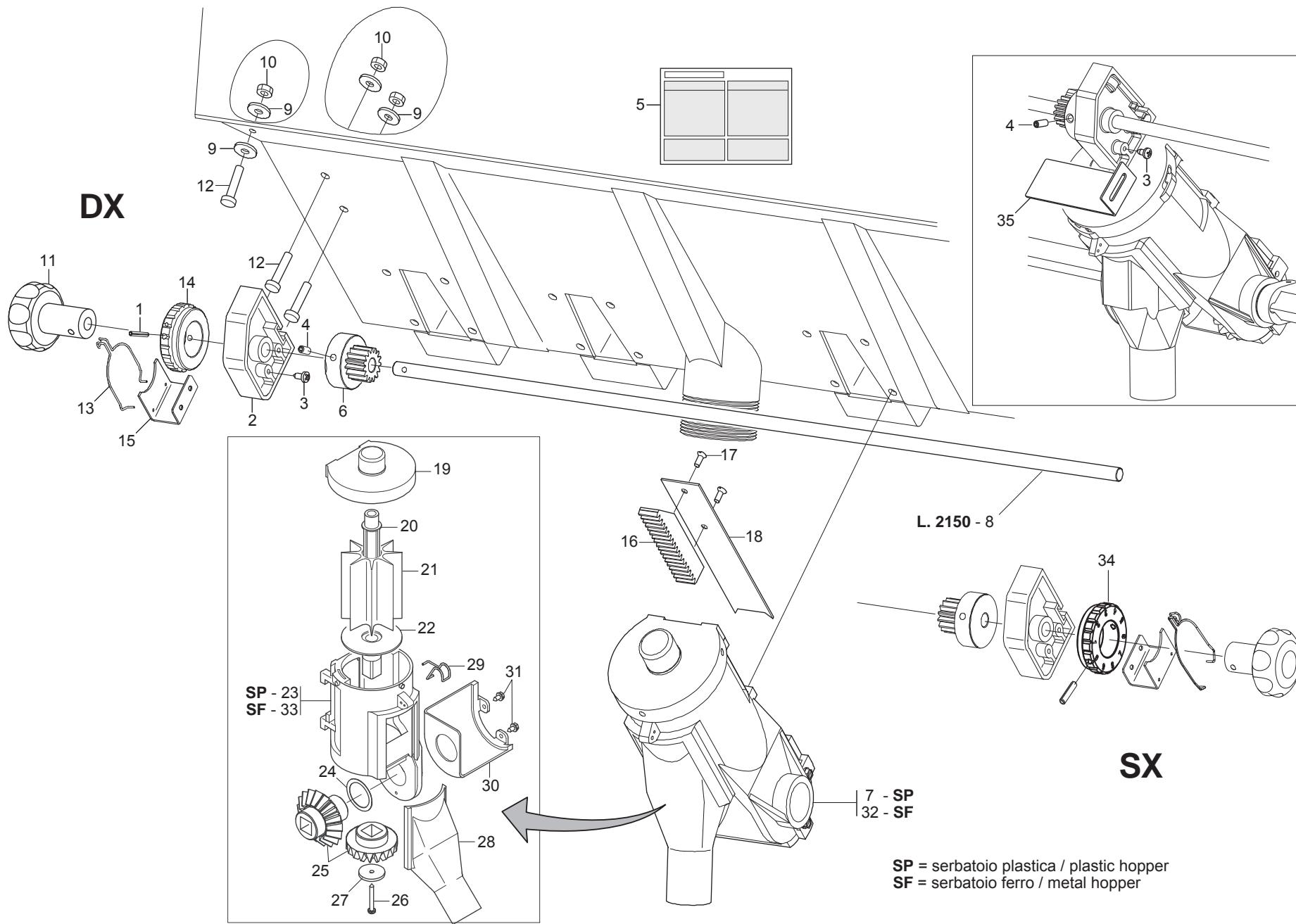
| Pos. | Cod. | Descrizione | Description | Description | Benennung | Descripcion |
|------|-----------|--------------------------------|--------------------------------|--------------------------------|--------------------------------|--------------------------------|
| 55 | F01020398 | VITE M6X1X12 U5739 8.8 ZN | BOLT M6X1X12 U5739 8.8 ZN | VIS M 6X12 | SCHRAUBE M 6X12 | TORNILLO M 6X12 |
| 56 | G20970125 | RONDELLA 28X2,5X6,5 | WASHER 28X2-5X6-5 | RONDELLE 28X2-5X6-5 | UNTERLEGSCHEIBE 28X2-5X6-5 | ARANDELA 28X2-5X6-5 |
| 57 | F01420039 | ROS.M6 6,4X 24X 2 U6593 IX | WASHER M6 6,4X24X2 U6593 IX | RONDELLE M6 6,4X24X2 U6593 IX | SCHEIBE M6 6,4X24X2 U6593 IX | ARANDELA M6 6,4X24X2 U6593 IX |
| 58 | G15275300 | TELO COPRISERBATOIO BBP METRO | TANKCOVER SHEET BBP METRO | | | |
| 59 | G15273632 | SUPPORTO TELO COPRISERBATOIO | SUPP.TANKCOVER SHEET | | | |
| 60 | G15275310 | ASTA FISSAGGIO TELO BBP | FIXING ROD | TIGE DE FIXATION | BEFESTIGUNGSTANGE | VARILLA DE FIJACIN |
| 61 | G15275330 | TUBO TELO COPRISERBATOIO | HOPPER COVER-SHEET TUBE | TUBE TOILE COUVRE-TREMIE | ROHR TRICHTERABDECKTUCH | TUBO ONA PROTEC. TOLVA |
| 62 | G15275320 | TUBO RINFORZO TELO BBP | REINFORCEMENT TUBE | | | |
| 63 | G18902270 | GUIDATUBO ZN TEL | TUBE GUIDE ZN TEL | | | |
| 64 | G66248098 | TAPPO CONVOGLIATORE DEPR. SP | AIR PUMP CONVEYOR PLUG SP | BOUCHON CONVOYEUR TURBINE SP | VAKUUM FTRDERPFROPFEN SP | TAPN CONDUCTOR DEPR. SP D |
| 65 | F01020457 | VITE M8 X1,25X20 U5739 A2 IX | TORNIL. M8 X1,25X 20 U5739 8.8 | | | |
| 66 | F01420049 | ROS.M8 8,4X 32X 2 U6593 ZN | WASHER M8 8,4X32X2 U6593 ZN | RONDELLA M8 8,4X32X2 U6593 ZN | SCHEIBE M8 8,4X32X2 U6593 ZN | ARANDELA M8 8,4X32X2 U6593 ZN |
| 67 | F01060040 | VITE M8X1,25X20 U5732 4.6 ZG | BOLT M8X1,25X20 U5732 4.6 ZN | VIS M8X1,25X20 U5732 4.6 ZN | SCHRA. M8X1,25X20 U5732 4.6 ZN | TORN. M8X1,25X20 U5732 4.6 ZN |
| 68 | F01260043 | DADO FLANG.M8 D6923 8.8 ZN | FLANGE NUT M8 DIN 6923 8.8 GAL | ECROU BRIDE .M8 DIN 6923 8.8 Z | GEFLANSCHTE MUTTER M8 DIN6923 | TUERCA BRIDA M8 DIN 6923 8.8 Z |
| 69 | F05150472 | PUNTALE A CAMPANA PVC NERO D10 | BELL PUSH ROD PVC D10 BLACK | | | |
| 70 | F06080487 | CATENA AGGANCIO TELO IN GOMMA | RUBBER FRAME CONNECTION CHAIN | CHA+NE ACCROCHAGE TOILE EN CAO | KETTE BEFESTIGUNG GUMMITUCH | CADENA ENGANCHE LONA DE CAUCHO |



ELEMENTI DI CONCIMAZIONE

TAV. 80

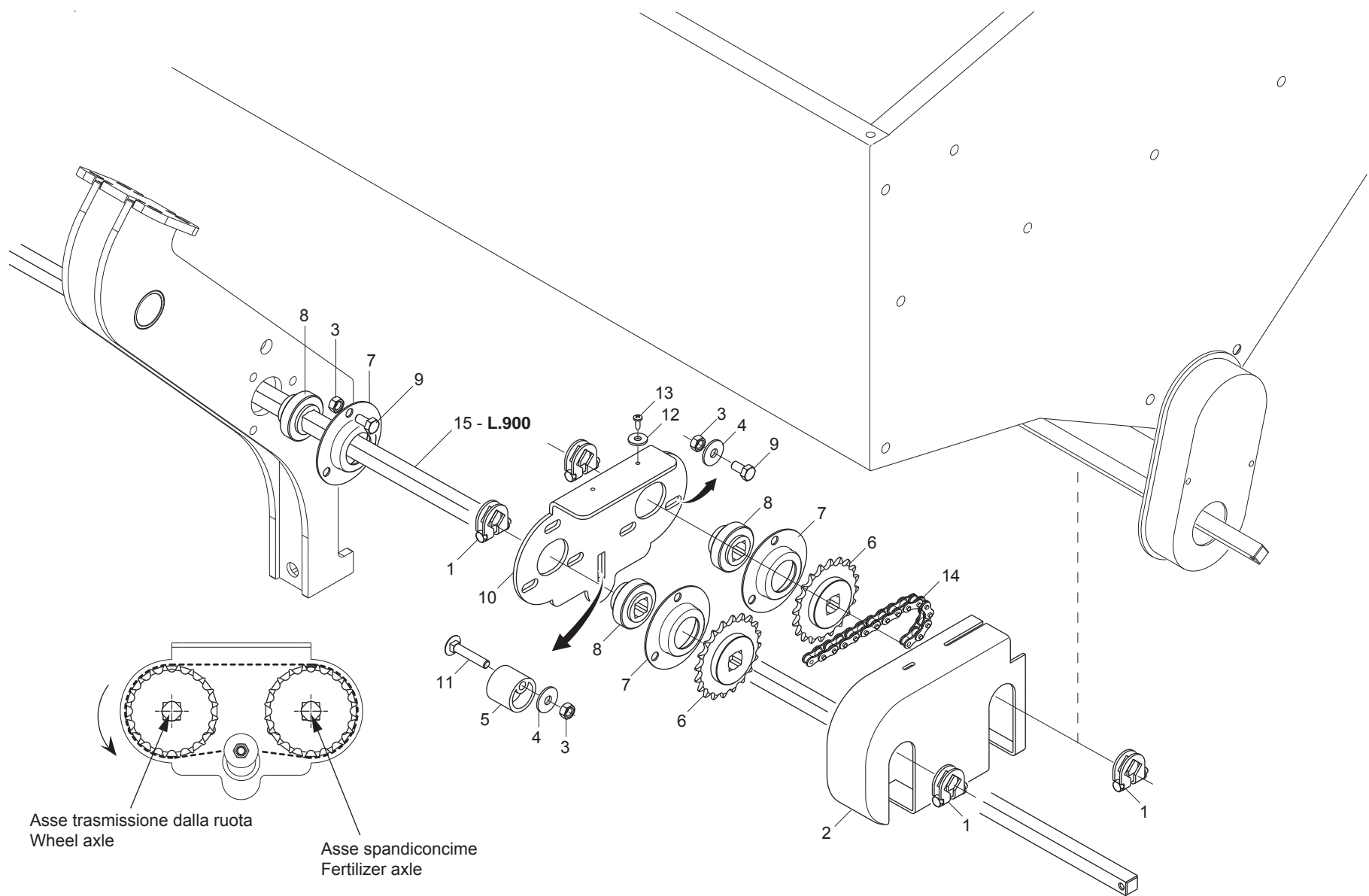
| Pos. | Cod. | Descrizione | Description | Description | Benennung | Descripcion |
|------|-----------|--------------------------------|--------------------------------|--------------------------------|--------------------------------|--------------------------------|
| 1 | G13825091 | DISCO ASSOLCATORE D.373 | FURROW OPENER DISK D.373 | DISQUE SOC D. 373 6 T.D.6 | SCHEIBE SZSCHARENREISSER D.373 | DISCO SURCADOR D.373 |
| 2 | G15220540 | DADO M16X1,5 SX ZN | NUT M16X1-5 LEFT | ECROU M16X1-5 GCH | MUTTER M16X1-5 LI | TUERCA M16X1-5 IZQ |
| 3 | G15225861 | PROTEZIONE DISCHI | DISK PROTECTION | | | |
| 4 | F01020470 | VITE M10X1,5X20 U5739 8.8 ZN | BOLT M10X1,5X20 U5739 8.8 ZN | VIS M 10X20 | SCHRAUBE M 10X20 | TORNILLO M 10X20 |
| 5 | G15225500 | DISCO ASSOLC.PROTETTO COMPL. | FULLY PROTECTED DISC COULTER | | | |
| 6 | G15422231 | RASCHIATERRA DISCO | SCRAPER DISK | | | |
| 7 | F03011075 | AN. TENUTA B1 OF 24X32X4 | SEALING RING 24X32X4 | BAGUE D'ETANCHEITE 24X32X4 | DICHTUNGSRING 24X32X4 | ANILLO AISLADOR 24X32X4 |
| 8 | F04010084 | CUSC.D17D47 B22,2 3303 LLU/DDU | BEARING 3303 2RS | PALIER 3303 2RS | LAGER 3303 2RS | COJINETE 3303 2RS |
| 9 | G19203920 | SUPP.MOLLA QUADRA DOPPIA POS. | SQUARE SPRING SUPPORT | | | |
| 10 | G16670600 | FALCIONE ELEM.CONCIMAZ.QUADRA | SQUARE SPRING FERT COULTER | SOC +LEM. FERTILIS. RESSORT CA | S-SCHAR ELEM.D_NGUNG QUADR.FED | BOTA ELEM.ABONAD.MUELLE CUADRA |
| 11 | G18903911 | MOLLA FERMO TUBO D.35 | PIPE LOCK SPRING D.35 | RESSORT ARR-T TUBE D.35 | ROHRSPERRFEDER D.35 | MUELLE TOPE TUBO D. 35 |
| 12 | F01020236 | VITE M14X2X220 U5737 8.8 BR | BOLT M14X2X220 U5737 8.8 BR | VIS M14X2X220 U5737 8.8 BR | SCHRAUBE M14X2X220 U5737 8.8 | TORNILLO M14X2X220 U5737 8.8 |
| 13 | G19204110 | SUPP.SX MOLLA DISCHI | LEFT SUPPORT DISK SPRING | | | |
| 14 | G16670271 | SUPPORTO DISCHI CONCIMAZ. | DISK SUPPORT FERTILIZER | | | |
| 15 | G19204100 | SUPP.DX MOLLA DISCHI | RIGHT DISKS SPRING SUPPORT | | | |
| 16 | G15472290 | SUPPORTO RASCHIAT.DISCHI CONC. | FERTIL DISKS SOIL SCRAPER SUPP | SUPP. RACLEUR DISQUES FUMAGE | HALTER. ERDSCHABER DsNGUNGSSCH | SOPORTE RASCADOR DISCOS ABONO |
| 17 | G15472301 | RASCHIATERRA INTERNO | INTERNAL SCRAPER SOIL | | | |
| 18 | F01020568 | VITE M16X2X45 U5739 8.8 ZN | BOLT M 16X 2X45 U5739 8.8 ZG | VIS M 16X 2X45 U5739 8.8 ZG | SCHRAUBE M 16X 2X45 U5739 8.8 | TORNILLO M16X 2X45 U5739 8.8 |
| 19 | G18902770 | MOLLA CONCIMAZIONE 20X20 DX | SPRING 20X20 FERTILIZER RIGHT | RESSORT FUMAGE 20X20 DRT | FEDER DsNGUNG 20X20 RE | MUELLE ABONO 20X20 DER |
| 20 | G18902780 | MOLLA CONCIMAZIONE 20X20 SX | SPRING 20X20 FERTILIZER LEFT | RESSORT FUMAGE 20X20 GCH | FEDER DsNGUNG 20X20 LI | MUELLE ABONO 20X20 IZQ |
| 21 | G15225240 | ESTRATTORE DISCHI ELEMENTO MT | SEED PLATE EXTRACTOR ELEM. MT | EXTRACTEUR DISQUE ELEMENT MT | SCHIEBENAUSZIEHER ELEMENT MT | EXTRACTOR DISCOS ELEMENTO MT |
| 22 | G18903200 | FERMO SPIRALE | SPIRAL STOP | ARRET SPIRALE | FESTSTELLVORRICHTUNG SPIRALE | BLOQUEO ESPIRAL |
| 23 | G18903210 | MOLLA CONCIM.FILE DISPARI | ODD NUMBER ROW MANUR.SPRING | RESS. FUMAGE RANGEES IMPAIRES | FEDER DsNGUNG UNGERADE REIHEN | MUELLE ABONO FILAS IMPARES |
| 24 | F01020156 | COPIGLIA 5X 45 U1336 ZN | SPLIT PIN 5X 45 U1336 ZN | GOUPILLE 5X 45 U1336 ZN | SPANNSTIFT 5X 45 U1336 ZN | PASADOR 5X 45 U1336 ZN |
| 25 | F01020403 | MOLLA CONCIMAZIONE | FERTILIZER SPRING | | | |
| 26 | G18903901 | RINFORZO MOLLA CONCIMAZIONE | FERTILIZER SPRING SUPPORT | | | |
| 27 | G15223651 | SUPPORTO CUSCINETTO DISCO | DISK BEARING SUPPORT | SUPPORT PALIER DISQUE | SCHEIBENLAGERBsCHSE | SOPORTE COJINETE DISCO |
| 28 | G15110091 | SCONTRO A U SP.8 2F15 165 | STRIKER | BRIDE 150 MM | ANSCHLAG | ELEMENTO DE EMPALME |
| 29 | G16670630 | SPESSORE MOLLA DISCHI CONCIM. | SHIMS | CALE | ZWISCHENLEGSCHIEBE | ESPACIADOR |
| 30 | F01020156 | VITE M12X1,75X50 U5737 8.8 ZN | BOLT M12X1,75X50 U5737 8.8 ZN | VIS M12X1,75X50 U5737 8.8 ZN | SCHR. M12X1,75X50 U5737 8.8 ZN | TORN. M12X1,75X50 U5737 8.8 ZN |
| 31 | F01020403 | VITE M6X1X16 U5739 8.8 ZN | BOLT M6X1X16 U5739 8.8 ZN | VIS M6X1X16 U5739 8.8 ZN | SCHRAUBE M6X1X16 U5739 8.8 ZN | TORNILLO M6X1X16 U5739 8.8 ZN |
| 32 | G15226600 | KIT X DISCO SUPER SEAL | SUPER-SEAL DISC KIT | | | |
| 33 | F01020476 | VITE M10X1,5X30 U5739 8.8 ZN | BOLT M10X1,5 X 30 5739 8.8 ZN | VIS M10X1,5 X 30 5739 8.8 ZN | SCHRA. M10X1,5X 30 5739 8.8 ZN | TORN. M10X1,5 X 30 5739 8.8 ZN |
| 34 | F01020508 | VITE M12X1,75X25 U5739 8.8 ZN | BOLT M12X1,75X25 U5739 8.8 ZN | VIS M12X1,75X25 U5739 8.8 ZN | SCHR. M12X1,75X25 U5739 8.8 ZN | TORN. M12X1,75X25 U5739 8.8 ZN |
| 35 | F01020512 | VITE M12X1,75X35 U5739 8.8 ZN | BOLT M12X1,75X35 5739 8.8 ZN | VIS M12X1,75X35 5739 8.8 ZN | SCHR. M12X1,75X35 5739 8.8 ZN | TORN. M12X1,75X35 5739 8.8 ZN |
| 36 | F01020528 | VITE M12X1,75X40 U5739 10.9 ZD | BOLT M12X1,75X40 U5739 10.9 ZD | VIS M12X1,75X40 U5739 10.9 ZN | SCHR.M12X1,75X40 U5739 10.9 ZN | TORN.M12X1,75X40 U5739 10.9 ZN |
| 37 | F01200232 | DADO M 6X 1 U5588 6.8 ZN | NUT 6 UNI 5588 6.8 GALVANIZED | ECROU 6 UNI 5588 6.8 ZN | MUTTER 6 UNI 5588 6.8 ZN | TUERCA 6 UNI 5588 6.8 ZN |
| 38 | F01200270 | DADO M10X 1,5 U5588 6.8 ZN | NUT M10X 1,5 U5588 6.8 ZN | ECROU M10X 1,5 U5588 6.8 ZN | MUTTER M10X 1,5 U5588 6.8 ZN | TUERCA M10X 1,5 U5588 6.8 ZN |
| 39 | F01200306 | DADO M14X 2 U5588 6.8 ZN | NUT M14X2 | ECROU M14X2 | MUTTER M14X2 | DADO M14X2 |
| 40 | F01200442 | DADO M16X 1,5 U5589 6.8 ZN | NUT 16X1-5 UNI 5589 6.8 GALVAN | ECROU 16X1-5 UNI 5589 6.8 ZN | MUTTER 16X1-5 UNI 5589 6.8 ZN | TUERCA 16X1-5 UNI 5589 6.8 ZN |
| 41 | F01220048 | DADO M12X1,75 D980 8 ZN | NUT M12X1,75 D980 8 ZN | ECROU M12X1,75 D980 8 ZN | SCHEIBE M12X1,75 D980 8 ZN | TUERCA M12X1,75 D980 8 ZN |
| 42 | F01410064 | ROS.M10 10,5X 20X 2 U6592 ZN | WASHER M10 10,5X20X2 U6592 ZN | RONDELL.M10 10,5X20X2 U6592 ZN | SCHEIBE M10 10,5X20X2 U6592 ZN | ARAND. M10 10,5X20X2 U6592 ZN |
| 43 | F01410076 | ROS.M12 13X 24X2,5 U6592 ZN | WASHER D12 U6592 ZN | RONDELLE D12 U6592 ZN | SCHEIBE D12 U6592 ZN | ARANDELA D12 U6592 ZN |
| 44 | F01420036 | ROS.M6 6,4X 18X 2 U6593 ZN | FLAT WASHER 6-6X 18X2 6593 ZN | ROND. PLATE 6-6X 18X2 6593 ZN | SCHEIBE 6-6X 18X2 6593 ZN | ARAND. PLANA 6-6X 18X2 6593 ZN |
| 45 | F02050370 | ANELLO E. DI 47X1,75 U7437 C70 | SEEGER RING 47X 1,75 U7437 C70 | SEEGER E. 47X 1,75 U7437 C70 | SEEGERING E. 47X1,75 U7437 C70 | ANILLO E. 47X 1,75 U7437 C70 |
| 46 | G66248248 | TAPPO IN PLASTICA | PLASTIC PLUG | BOUCHON EN PLASTIQUE | PLASTIKPFROPFEN | TAPN DE PLÆSTICO D |
| 47 | G15225480 | FLANGIA INT.DISCO PROTETTO ZN | INNER DISK FLANGE | BRIDE INT. DISQUE | INNENFLANSCH SCHEIBE | BRIDA INTERIOR DISCO |
| 48 | F02250521 | RIBATTINO TSC 6 X19,8 A/2 | RIVET TSC 6X19,8 A/2 BY PIECE | PAQUET RIVETS TSC 6X 19,8 A/2 | PACKUNG NIETEN TSC 6X19,8 A/2 | PAQU.REMACHES TSC 6X 19,8 A/2 |
| 49 | G15225490 | BOCCOLA PARAP.DISCO PROTETTO | BUSHING PARAP.DISCO PROTETTO | BOITE PARAP.DISCO PROTETTO | BUCHSE PARAP.DISCO PROTETTO | MANGUITO PARAP.DISCO PROTETTO |



REGOLAZIONE CENTRALIZZATA "SPEEDY SET"

TAV. 90

| Pos. | Cod. | Descrizione | Description | Description | Benennung | Descripcion |
|------|-----------|--------------------------------|--------------------------------|--------------------------------|---------------------------------|--------------------------------|
| 1 | F02100066 | SPINA E.P. 4X 36 U6873 C70 BR | PIN EL. 4X 36 U6873 C70 BR | | | |
| 2 | G19003660 | SUPPORTO | SUPPORT | SUPPORT | HALTERUNG | SOPORTE |
| 3 | F01070061 | VITE M3,9X1,34X9,5 U6954 4.8NI | BOLT 3,9X 9,5 DIN 7981 | VIS 3,9X 9,5 DIN 7981 | SCHRAUBE 3,9X 9,5 DIN 7981 | TORNILLO 3,9X 9,5 DIN 7981 |
| 4 | F01050083 | VITE M5X0,8X12 U5927 A2 IX | GRUB-BOLT5X12 UNI 5927 | GOUJON 5X12 UNI 5927 | STIFT 5X12 UNI 5927 | TORNILLO SIN CABEZA 5X12 5927 |
| 5 | G19702952 | DECAL.TAB.DISTRIB.SPEEDY-SET | | | | |
| 6 | G19003680 | INGRANAGGIO Z.15 | GEAR Z 15 | ENGRENAGE Z 15 | ZAHNRAD Z 15 | ENGRANAJE Z 15 |
| 7 | G16670040 | DISTR.COMPL.8PALE SPEEDY SET P | COMPL.PLA.SPEEDY SET DISTR.8R | MINIMAX COMPL 8C PLA SPEEDYSET | KOMPL.DOSIER.SPEEDY SET PLA.8S | DISTR.COMP.SPEEDY SET PLA.8AL. |
| 8 | G15275350 | ASSE D.10X 2150 | D.10X 2150 AXLE/AXIS | AXE D.10X 2150 | ACHSE D.10X 2150 | EJE D.10X 2150 |
| 9 | F01420038 | ROS.M6 6,4X 18X 2 U6593 IX | WASHER M6 6,4X18X2 U6593 IX | RONDELLE M6 6,4X18X2 U6593 IX | SCHEIBE M6 6,4X18X2 U6593 IX | ARANDELA M6 6,4X18X2 U6593 IX |
| 10 | F01200233 | DADO M 6X 1 U5588 A2 IX | NUT M 6X 1 U5588 IX | ECROU M 6X 1 U5588 I | MUTTER M 6X 1 U5588 | TUERCA M 6X 1 U5588 |
| 11 | G19003670 | MANOPOLA SPEEDY SET | SPEEDY HANDLE SET | POIGN+E SPEEDY SET | GRIFF SPEEDY SET | EMPUJADURA SPEEDY SET |
| 12 | F01020419 | VITE M 6X1 X 16 U5739 A2 IX | BOLT M6 X1 X 16 U5739 8.8 IX | VIS M6 X1 X 16 U5739 8.8 IX | SCHRAUBE M6 X1 X 16 U5739 8. | TORNIL. M6 X1 X 16 U5739 8.8 |
| 13 | G65336055 | MOLLA SPEC.REGOL.SPAND. SP | SPEC SPRING MAN. SPR. ADJUSTM. | RESSORT SPEC. REGL. EP. ENTRA | SPEZIALFEDER STREUER EINSTELLUN | MUELLE ESPEC. REGUL. ABONADORA |
| 14 | G19003720 | GHIERA REGOLAZIONE SX | LEFT ADJUSTMENT KNURLED NUT | MANCHON DE REGLAGE GCH | EINSTELLMUTTER LINKS | ROSCA REGULACION IZQUIERDA |
| 15 | G16670310 | SUPPORTO MOLLA REGOLATORE | ADJ.SPRING SUPPORT | | | |
| 16 | G19003690 | CREMAGLIERA | RACK | CR+MAILL+RE | ZAHNSTANGE | CREMALLERA |
| 17 | F01080032 | VITE M4X0,7X10 U7688 A2 IX | BOLT M4X 0,7X10 U7688 A2 IX | VIS M4X 0,7X10 U7688 A2 IX | SCHRAUBE M4X 0,7X10 7688 A2 IX | TORNILLO M4X0.7X10 U7688 A2 IX |
| 18 | G16670100 | REGOLATORE APERTURA | OPENING REGULATOR | REGULATEUR OUVERTURE | TFFNUNGSEINSTELLER | REGULADOR ABERTURA |
| 19 | G19003700 | COPERCHIO SPEEDY SET | COVER SPEEDY SET | COUVERCLE SPEEDY SET | DECKEL SPEEDY SET | TAPA SPEEDY SET |
| 20 | G66248173 | ASSE DISTR.SPAND. SP | MANURE SPREADER DISTR. SPINDLE | AXE DISTRIBUTEUR EP.ENGRAIS SP | ACHSE SZAPPARAT STREUER SP | EJE DISTR. ABON. SP |
| 21 | G66248172 | DOSATORE DISTR.SPAND. SP | MAN.SPR. SEED METERING DEVICE | DOSEUR DISTRIBUTEUR EP. ENGRAI | DOSIERER DsNGERSTREUER. SP | DOSIFICADOR DISTR.ABON. SP |
| 22 | G66248211 | PERNO RONDELLA FUSA SPAND. SP | MAN. SPR. CAST WASHER PIN. SP | PIVOT RONDELLE MOULEE EP. ENGR | ZAPFEN LOSE UNTERLEGSCHIEBE ST | PERNO ARANDELA FUNDIDA ABONAD |
| 23 | G19002920 | CORPO DISTRIBUTORE SPANDI PLA. | PLA. F.SPREADER DISTRIB.CASING | CORPS DISTRIBUTEUR EPAND. | VERTEILUNGSKTRPER STREUER PLA. | CUERPO DIST. ABONADORA PLæS. |
| 24 | G18701500 | RONDELLA 29,5 X38 X0,3 IX | WASHER 29,5 X 38 X 0,3 | RONDELLE 29,5 X38 X0,3 | UNTERLEGSCHIEBE 29,5X38X0,3 | ARANDELA 29,5 X38 X0,3 |
| 25 | G20860126 | KIT INGR DISTR CONCIME (2+2) | KIT- MAN. DISTR. GEARS (2+2) | COUPLE CON DISTR ENGRAIS (2+2) | KIT ZAHNRZDER DsNGERSTREUER | SET ENGRANAJES DISTRIB. ABONO |
| 26 | F01070075 | VITE M4,2X1,41X38 U6954 4.8 NI | BOLT 4-2X38 DIN 7981 | VIS 4-2X38 DIN 7981 | SCHRAUBE 4-2X38 DIN 7981 | TORNILLO 4-2X38 DIN 7981 |
| 27 | G20970097 | RONDELLA 32X3X4,5 | WASHER 32X3X4-5 | RONDELLE 32X3X4-5 | UNTERLEGSCHIEBE 32X3X4-5 | ARANDELA 32X3X4-5 |
| 28 | G66248178 | SCIVOLO DISTR.SPAND. SP | CHUTE- MANURE-SPREADER DISTRIB | LANCOIR DISTRIBUTION EP. ENGR. | DsNGERSTREUER RUTSCHE SP | PLANO INCLINADO DISTR. ABON. S |
| 29 | G65336062 | MOLLA SPEC.SCIV.DISTR.SPAND.SP | SPEC SPRING - MAN. SPR. DISTR. | RESS. SPEC. LANCOIR DISTR. EP. | SPEZ.FEDER RUTSCHE SZAPP. STRE | MUELLE ESPEC.PLANO INCL.DISTR. |
| 30 | G19002850 | PROTEZIONE PIGNONE | PINION GUARD | PROTECTION PIGNON | RITZELSCHUTZ | PROTECCIN PIGN PR |
| 31 | F01070011 | VITE M4,2X1,41X9,5 U6950 4.8NI | BOLT- SELF-TAPPING 4-2X9-5T.E. | VIS AUTOTAR. 4-2X9-5 T. E. COU | SELBSTSCHNEID. SCHRAUBE 4-2X9- | TORNILLO AUTORROSC. 4-2X9-5 |
| 32 | G13722330 | DISTR.COMPL.8PALE SPEEDY SET F | COMPL.SPEEDY 8-BLADE DISTR. SE | DISTR.COMPL.8PALETTES SPEEDY S | SAATGUTAUS.8SCH.KOMPL.SPEEDY S | DISTR.COMPL.8PALETAS SPEEDY SE |
| 33 | G66248176 | CORPO DISTR.SPAND. SP | MANURE SPREADER DISTR. CASING | CORPS DISTRIB. EP. ENGRAIS SP | VERTEILUNGSKTRPER STREUER SP | CUERPO DISTR. ABON. SP |
| 34 | G19003710 | GHIERA REGOLAZIONE DX | RIGHT ADJUSTMENT KNURLED | BAGUE REGLAGE DROITE | EINSTELLMUTTER RE | CONTRATUERCA REGULACIN DER. |
| 35 | G17120340 | LAMA BLOCCO CREMAGL.MINIMAX | | | | |



Asse trasmissione dalla ruota
Wheel axle

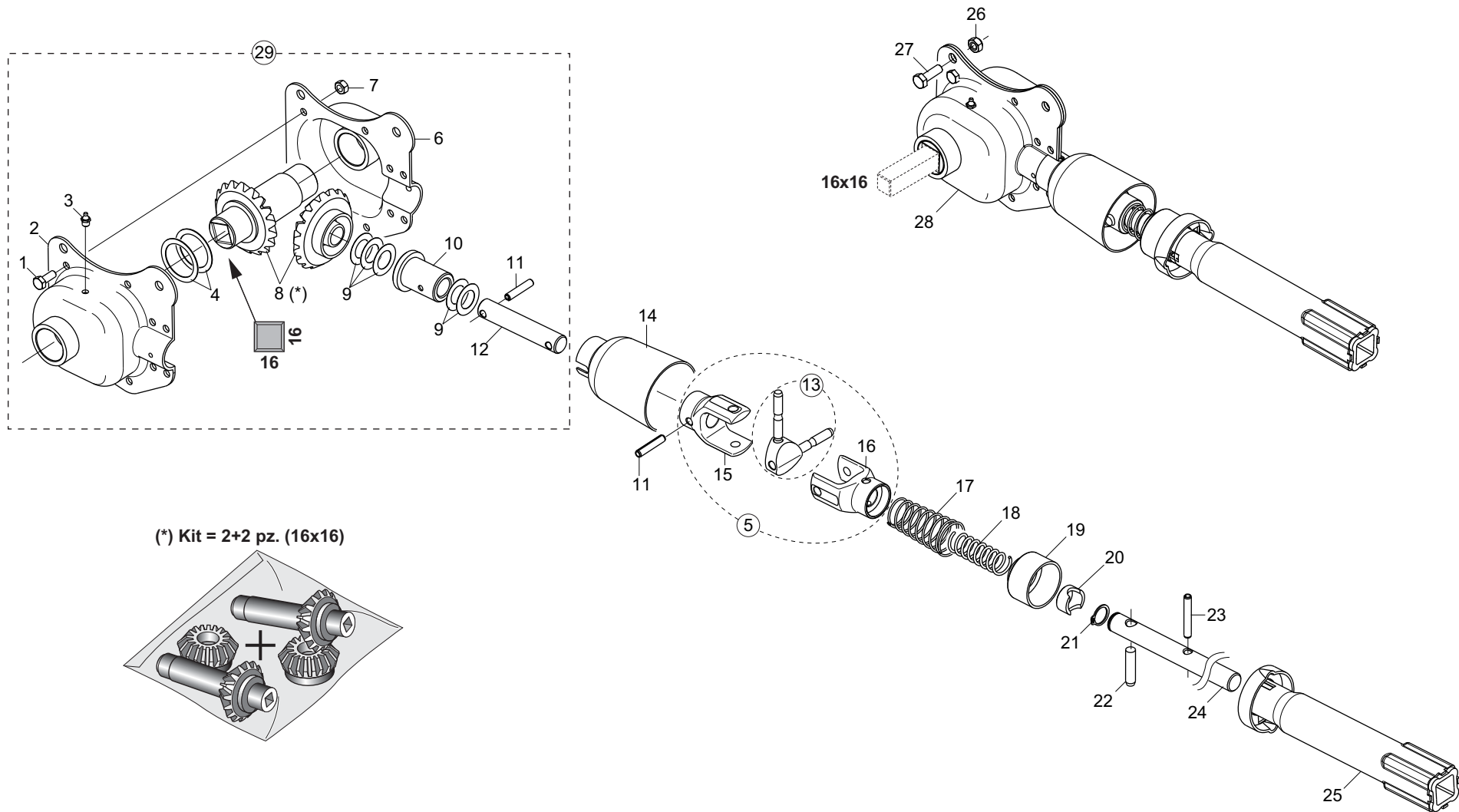
Asse spandiconcime
Fertilizer axle

15 - L.900

TRASMISSIONE SPANDICONCIME

TAV. 100

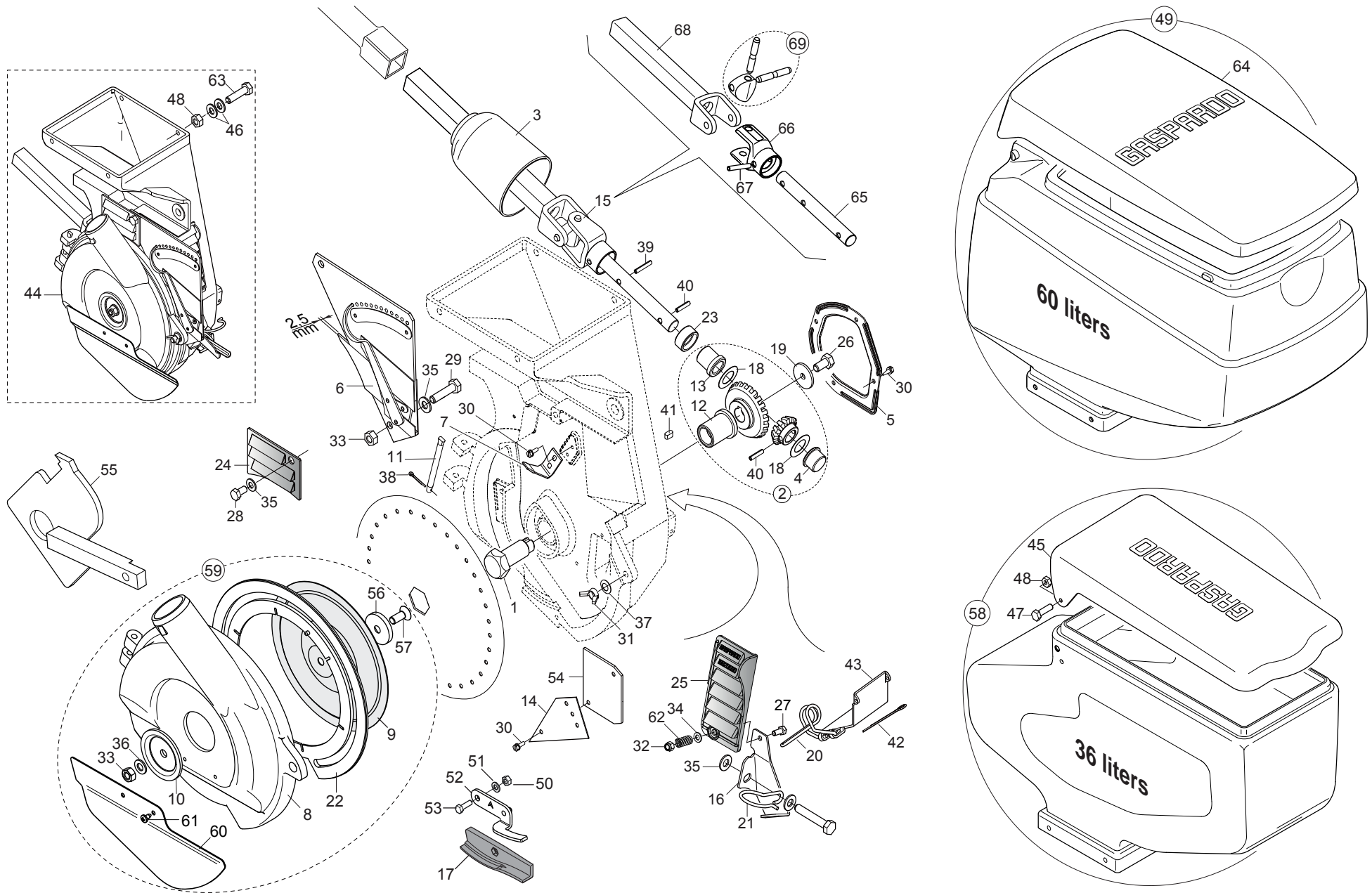
| Pos. | Cod. | Descrizione | Description | Description | Benennung | Descripcion |
|------|-----------|--------------------------------|--------------------------------|--------------------------------|--------------------------------|--------------------------------|
| 1 | G22505085 | FERMO ASSE IN LAMIERA | PLATE AXLE STOP | ARRET AXE EN TOLE | FESTSTELLVORRICHTUNG BLECHACHS | BLOQUEO EJE DE CHAPA |
| 2 | G15275710 | CARTER | CASE | | | |
| 3 | F01200244 | DADO M 8X1,25 U5588 6.8 ZN | NUT M8 X1,25 U5588 6.8 ZN | ECROU M8 X1,25 U5588 6.8 ZN | MUTTER M8 X1,25 U5588 6.8 ZN | TUERCA M8 X1,25 U5588 6.8 ZN |
| 4 | F01420048 | ROS.M8 8,4X 24X 2 U6593 ZN | WASHER M8 8,4X 24X 2 U6593 ZN | RONDELLE M8 8,4X 24X2 U6593 ZN | SCHEIBE M8 8,4X 24X 2 U6593 ZN | ARANDELA M8 8,4X 24X2 U6593 ZN |
| 5 | G66248207 | TENDICATENA SPAND. SP-520 | CHAIN TENSIONER | TENDEUR DE CHAINE EPAND. ENGR. | KETTENSANNER DsNGERSTR. SP-52 | ENSOR DE CADENA ABON. SP-520 |
| 6 | G22250007 | INGR.CON MOZZO 1/2 Z-20 SV | GEARS- W/ HUB 1/2 Z-20 SV | ENGRENAGE 1/2 Z-20 | ZAHNRAD MIT NABE 1/2 Z-20 SV | ENGRAN.CON PERNO 1/2 Z-20 SV |
| 7 | G22230094 | BEARING SUPPORT | BEARING SUPPORT | SUPPORT PALIER | LAGERBsCHSE | SOPORTE COJINETE |
| 8 | G14830390 | CUSCINETTO FORO QUADRO | SQUARE-HOLED BEARING | ROULEMENT AL+SAGE CARR+ | VIERKANTLAGER | COJINETE ORIFICIO CUADRADO |
| 9 | F01020432 | VITE M 8X1,25X16 U5739 8.8 ZN | BOLT M8X 1.25X16 U5739 8.8 ZN | VIS M 8X16 | SCHRAUBE M 8X16 | TORNILLO M 8X16 |
| 10 | G15275340 | SUPPORTO TRASMISSIONE SPANDI | SPREAD.TRASM.SUPPORT | | | |
| 11 | F01060047 | VITE M8X1,25X45 U5732 4.6 ZN | BOLT 8X45 5732 4.6 GALVANIZED | VIS 8X45 5732 4.6 ZN | SCHRAUBE 8X45 5732 4.6 ZN | TORNILLO 8X45 5732 4.6 ZN |
| 12 | F01420011 | ROS.M4 4,3X 16X 1 U6593 ZN | FLAT WASHER 4-3X 16X1-5 6593 G | ROND.PLATE 4-3X 16X1-5 6593 ZN | SCHEIBE 4-3X 16X1-5 6593 ZN | ARAND. PLANA 4-3X 16X1-5 6593 |
| 13 | F01070078 | VITE M4,2X1,41X13 U6950 4.8ZN | SELFTHREADING BOLT 4,2X13 TE | VIS AUTOTARADEUSE.4-2X13 TE | SELBSTSCHNEID. SCHRAUBE 4-2X13 | TORNILLO AUTOR.4-2X13 TE |
| 14 | F06080009 | CATENA 1/2 ISO 083 41 MAGLIE | CHAIN 1/2 ISO 083 41 LINKS | | | |
| 15 | G23440538 | ASSE TRASM.CENTR.MT.0,90 HL/ID | CENT.TRAN.SHAFT.MT.0-90 HL/ID | | | |



SCATOLA DI RINVIO ELEMENTO SEMINATORE

TAV. 110

| Pos. | Cod. | Descrizione | Description | Description | Benennung | Descripcion |
|------|-----------|--------------------------------|--------------------------------|--------------------------------|--------------------------------|--------------------------------|
| 1 | F01020403 | VITE M6X1X16 U5739 8.8 ZN | BOLT M6X1X16 U5739 8.8 ZN | VIS M6X1X16 U5739 8.8 ZN | SCHRAUBE M6X1X16 U5739 8.8 ZN | TORNILLO M6X1X16 U5739 8.8 ZN |
| 2 | G22220103 | CONCHIGLIA SX | LEFT SHELL | | | |
| 3 | F01100011 | ING.M 6X1 7663-A 9SMNPB28 ZN | GREASE NIPPLE M6X1 7663-A ZN | GRAISS. A BILLE M6X1 7663A ZN | SCHMIERBUECHE M6X1 7663-A ZN | ENGRAS. DE ESFERAS M6X1 7663-A |
| 4 | G18700510 | RONDELLA 31 X40 X0,6 ZN | GROWER 32 X 40 X 0,6 ZN | | | |
| 5 | G15423980 | FORCELLE SNODO ESCL.ELET.COMPL | COMPLET FORK ELECTRIC SWITCH O | | | |
| 6 | G22220102 | CONCHIGLIA DX | RIGHT SHELL | COQUILLE DRT. | SCHALE RECHTS | MOLDE DER. |
| 7 | F01220011 | DADO M 6X 1 D980 8 ZN | NUT M6X1 D980 8 ZN | ECROU M6X1 D980 8 ZN | MUTTER M6X1 D980 8 ZN | TUERCA M6X1 D980 8 ZN |
| 8 | G22270389 | 2+2 INGR.SCATOLA DI RINVIO > | 2+2 INTERM. TRANSM. GEAR BOX | COUPLE CON RENV ANGLE (2+2) | 2+2 ZAHNRZDER VORGELEGEGEHZUSE | 2+2 ENGRANAJES CAJA DE LA TRAN |
| 9 | G22220073 | RONDELLA 28X0,3X16,5 | WASHER 28X0-3X16-5 | RONDELLE 28X0-3X16-5 | UNTERLEGSSCHEIBE 28X0-3X16-5 | ARANDELA 28X0-3X16-5 |
| 10 | G66349001 | BOCCOLA | BUSHING | BOITE | B_CHSE | CASQUILLO |
| 11 | F02100114 | SPINA E.P. 6X 30 U6873 C70 BR | ELASTIC PIN 6X30 | GOUJON ELASTIQUE 6X30 | SPANNHUELSE 6X30 | ESPINA ELASTICA 6X30 |
| 12 | G22270452 | ALBERO SCATOLA RINVIO SP/S | INTERMEDIATE BOX SHAFT | ARBRE TRANSMISSION SP/S | WELLE VORGELEGEGEHZUSE SP/S | æRBOL CAJA DE TRANSMISIN SP/SA |
| 13 | G22270454 | CROCIERA COMPL. SP/S | SPIDER SP/S | CROSILLON COMPL CARDAN TRANSM | GELENKKREUZ KOMPL. SP/S | CRUCETA COMPL. SP/S |
| 14 | G19002840 | COPRICARDANO SUPERIORE | TOP CARDAN JOINT COVER | COUVRE-CARDAN SUPERIEUR | OBERE KARDANABDECKUNG | CUBRECARDæN SUPERIOR |
| 15 | G19204080 | FORCELLA | FORK | | | |
| 16 | G19204090 | FORCELLA | FORK | | | |
| 17 | G65338039 | MOLLA COMP.ZN INNESTO SP | ZN COUPLING COMP. SPRING SP | RESSORT COMPL. ZN ACCOUPLEM. | DRUCKFEDER ZN KUPPLUNG SP | MUELLE COMP.ZN ACOPLAMIENTO SP |
| 18 | G65338018 | MOLLA COMP.ZN SCATOLA RINV.SP | TRANSM. BOX COMP. SPRING . SP | RESSORT COMPL. ZN TRANSMISSION | DRUCKFEDER ZN VORGELEGEGEHZUSE | MUELLE COMP.ZN CAJA TRANSFER.. |
| 19 | G66248102 | ANELLO SICUREZZA SP | SAFETY RING | BAGUE SECURITE SP | SICHERHEITSRING SP | ANILLO DE SEGURIDAD SP |
| 20 | G22220105 | BOCCOLA DI SPINTA | THRUST BUSHING | BOITE DE POUSSEE | SCHUBBSCHSE | CASQUILLO DE APRIETE |
| 21 | F02050045 | ANELLO E. DE 16X 1 U7435 C70 | SEEGER RING 16X 1 U7435 C70 | BAGUE SEEGER 16 X 1 U7435 C70 | SEEGERING 16 X 1 U7435 C70 | ANILLO 16X 1 U7435 C70 |
| 22 | G66248057 | SPINA DI SICUREZZA SP | SAFETY PIN SP | BROCHE PLASTIC SECURITE CARDAN | SICHERHEITSSTIFT SP | CLAVIJA DE SEGURIDAD SP |
| 23 | F02100121 | SPINA E.P. 6X 40 U6873 C70 BR | ELASTIC PIN 6X40 | GOUJON ELASTIQUE 6X40 | SPANNHUELSE 6X40 | PASADOR 6X40 |
| 24 | G17722540 | PERNO ZN. | PIN ZN. | | | |
| 25 | G17723020 | ASS.INNESTO REGINA | ASSY CLUTCH REGINA | | | |
| 26 | F01220022 | DADO M 8X1,25 D980 8 ZN | NUT M8X 1,25 D980 8 ZN | ECROU M8X 1,25 D980 8 ZN | MUTTER M8X 1,25 D980 8 ZN | TUERCA M8X 1,25 D980 8 ZN |
| 27 | F01020440 | VITE M 8X1,25X25 U5739 8.8 ZN | BOLT M8X1,25X25 U5739 8.8 ZN | VIS M8X1,25X25 U5739 8.8 ZN | SCHRA. M8X1,25X25 U5739 8.8 ZN | TORNIL.M8X1,25X25 U5739 8.8 ZN |
| 28 | GA5220190 | SCATOLA RINVIO Q16 EL.MTR | DROP BOX Q16 EL.MTR | | | |
| 29 | G16033200 | MONT.SCATOLA RINVIO Q.16 PLA > | TRANSFER CASE | BOITE RENVOI | VORGELEGEGEHZUSE | CAJA DE DISTRIBUCIN |



DISTRIBUTORE SEMI

TAV. 121

| Pos. | Cod. | Descrizione | Description | Description | Benennung | Descripcion |
|------|------------|--------------------------------|--------------------------------|--------------------------------|----------------------------------|---------------------------------|
| 1 | G22230046 | ASSE TRASMISSIONE DISCO | DISK GEAR AXLE | AXE ENTRAINEMENT DISQUE | ACHSE SCHEIBENANTRIEB | EJE TRANSMISIN DISCO A |
| 2 | G22270390 | KIT COPPIA CONICA DISTRIB.SEMI | KIT- SEED DISTR. CONICAL PAIR | COUPLE CON DISTR GRAINES (2+2) | KIT KEGELTRIEB SAMEN SZAPPARAT | SET PAR CONICO DISTRIB. SEMILL |
| 3 | G66248094 | COPRICARDANO SP | UNIVERSAL JOINT COVER SP | COUVRE-CARDAN SP | KARDANABDECKUNG SP | CUBRECARDAN SP |
| 4 | G66349008 | BOCCOLA | BUSHING | BOITE | BSCHE | CASQUILLO |
| 5 | G22230035 | COPERCHIO SCATOLA INGRAN. | GEARWHEEL BOX COVER | COUVERCLE BOITE ENGRENAGE | DECKEL ZAHNRZDERGEHZUSE | TAPA CAJA ENGRAN. |
| 6 | G22230040 | SELETTORE MOBILE COMPLETO | MOBILE SELECTOR ASSY. | SELECTEUR MOBILE COMPL. | KOMPL. BEWEGLICHER WZHLER | SELECTOR MVIL COMPLETO S |
| 7 | G22230041 | SELETTORE FISSO | SELECTOR FIXED | SELECTEUR FIXE | FESTER WZHLER | SELECTOR FIJO |
| 8 | G15223701 | COPERCHIO CORPO MT | BODY COVER MT | COUVERCLE CORPS MT | DECKEL KTRPER MT | TAPACUERPO MT |
| 9 | G22230037 | TENUTA GUARNIZIONE | SEAL | BLOQUAGE GARNITURE | DICHTUNG | JUNTA ESTANCA |
| 10 | G16620470 | TAPPO CENTRALE H=7,5 | CENTRAL PLUG H=7.5 | BOUCHON CENTRAL H=7,5 | ZENTRALER PFROPFEN H=7,5 | TAPEN CENTRAL H=7,5 |
| 11 | G22230039 | PERNO COPERCHIO | COVER PIN | PIVOT COUVERCLE | DECKELZAPFEN | PERNO TAPA |
| 12 | G66349002 | BOCCOLA SINT.BASSOFONDO | BUSHING- SINTERED | BOITE FRITTEE | SYNTH. B. CHSE | CASQUILLO SINT. |
| 13 | G22270071 | BOCCOLA COLL. SINTER.20X24 | 20X24 SINTERED COLLARED BUSH | BOITE COLLIER FRITTEE 20X24 | ANSCHLUSSBUCHSE SINTER.20X24 | CASQUILLO CONEX. SINTER.20X24 |
| 14 | G22270204 | PIASTRA ANTI TRABOCC.SEMI SP | SEED ANTI-OVERFLOW PLATE SP | PLAQUE ANTI-DEBORD.T GRAINES S | SAMENsBERLAUFPLATTE SP | PLACA ANTI DESBORDAMIENTO SEMI |
| 15 | G17722581 | CARDANO Q.20 L.165 COMPL | ASS.Y CARDAN JOINT Q.20 L.165 | | | |
| 16 | G17722990 | FERMO MOLLA ZN (DA G15421151) | SPRING LOCK ZN (DA G15421151) | | | |
| 17 | G19006960 | ESPULSORE SEME MAIS | SEED EJECTOR FOR CORN | | | |
| 18 | G22220073 | RONDELLA 28X0,3X16,5 | WASHER 28X0-3X16-5 | RONDELLE 28X0-3X16-5 | UNTERLEGSSCHEIBE 28X0-3X16-5 | ARANDELA 28X0-3X16-5 |
| 19 | F01420037 | ROS.M6 6,4X 24X 2 U6593 ZN | WASHER M6 6,4X24X2 U6593 ZN | | | |
| 20 | G18902951 | MOLLA SPEC.ZN SCARICO | SPEC SPRING ZN DISCHARGE | RESSORT TRAPPE VIDANGE | SPEZIALFEDER ZN ENTLADUNG | MUELLE ESPEC. ZN DESCARGA |
| 21 | G18903180 | MOLLA CONVOGLIATORE MICRO | MICRO CONVEYOR SPRING | RESSORT CONVOYEUR MICRO | FEDER MIKRO FTRDERER | MUELLE CONDUCTOR MICRO |
| 22 | G19002620 | GUARNIZIONE COP.DISTR.SP530-MT | DISTRIBUTION COVER AIR SEAL MT | JOINT ETANCH PORTE SP530-MT | DICHTUNG SZAPPARATDECKEL SP530 | JUNTA TAPA DISTRIB.SP530 |
| 23 | G66248219 | ANELLO PARAPOLVERE SP-520 | DUST COVER RING | BAGUE PARE-POUSIERE SP-520 | STAUBSCHUTZRING SP-520 | ANILLO GUARDAPOLVO SP-520 |
| 24 | G16620540 | PORTA DI PROTEZIONE | SAFETY HATCH | PORTE DE PROTECTION | SCHUTZIFFNUNG | PUERTA DE PROTECCIEN |
| 25 | G16620530 | PORTA DI CONTROLLO | INSPECTION DOOR | PORTE CONTROL | SCHEIBENTR | PUERTA DE CONTROL |
| 26 | F01020403 | VITE M6X1X16 U5739 8.8 ZN | BOLT M6X1X16 U5739 8.8 ZN | VIS M6X1X16 U5739 8.8 ZN | SCHRAUBE M6X1X16 U5739 8.8 ZN | TORNILLO M6X1X16 U5739 8.8 ZN |
| 27 | F01020382 | VITE M5X0,8X25 U5739 8.8 ZN | BOLT 5 X25 5739 8.G GALVANIZ. | VIS 5 X25 5739 8.G ZN | SCHRAUBE 5 X25 5739 8.G ZN | TORNILLO 5 X25 5739 8.G ZN |
| 28 | F01020432 | VITE M 8X1,25X16 U5739 8.8 ZN | BOLT M8X 1.25X16 U5739 8.8 ZN | VIS M 8X16 | SCHRAUBE M 8X16 | TORNILLO M 8X16 |
| 29 | F01020451 | VITE M 8X1,25X45 U5739 8.8 ZN | BOLT M8X 1.25X45 U5739 8.8 ZN | VIS M 8X45 | SCHRAUBE M 8X45 | TORNILLO M 8X45 |
| 30 | F01070011 | VITE M4,2X1,41X9,5 U6950 4.8NI | BOLT- SELF-TAPPING 4-2X9-5T.E. | VIS AUTOTAR. 4-2X9-5 T. E. COU | SELBSTSCHNEID. SCHRAUBE 4-2X9- | TORNILLO AUTORROSC. 4-2X9-5 |
| 31 | F01240024 | DADO M 8X1,25 U5448 5.8 ZN | NUT 8 UNI 5448 5.8 ZN | ECROU 8 UNI 5448 5.8 ZN | MUTTER 8 UNI 5448 5.8 ZN | TUERCA 8 UNI 5448 5.8 ZN |
| 32 | F01230019 | DADO M 5X 0,8 D982 8 ZN | NORM.SELF-LOCKING NUT 5 GALVAN | ECROU AUTOB.NOR.5 ZN | SELBSTSP. MUTTER NOR.5 ZN | TUERCA AUTOB. NOR. 5 ZN |
| 33 | F01200244 | DADO M 8X1,25 U5588 6.8 ZN | NUT M8 X1,25 U5588 6.8 ZN | ECROU M8 X1,25 U5588 6.8 ZN | MUTTER M8 X1,25 U5588 6.8 ZN | TUERCA M8 X1,25 U5588 6.8 ZN |
| 34 | F01410023 | ROS.M5 5,3X 10X 1 U6592 ZN | WASHER M5 5,3X 10X 1 U6592 | | | |
| 35 | F01410051 | ROS.M8 8,4X 17X1,6 U6592 ZN | WASHER M8 8,4X17X1,6 U6592 ZN | RONDEL. M8 8,4X17X1,6 U6592 ZN | SCHEIBE M8 8,4X17X1,6 U6592 ZN | ARANDELA M8 8,4X17X1,6 U6592ZN |
| 36 | F01430059 | ROS.M8 8,4X 15X0,8 U8842J ZN | WASHER M8 8,4X15X0,8 U8842J ZN | ROND. M8 8,4X 15X0,8 U8842J ZN | SCHEIBE M8 8,4X15X0,8 U8842JZN | ARAND. M8 8,4X15X0,8 U8842J ZN |
| 37 | F01460115 | ROS.OND. 8,4X 15X0,5 BR D137A | WASHER D8 DIN 137/A | RONDELLE D8 DIN 137/A | UNTERLEGSSCHEIBE D8 DIN 137/A | ARANDELA D8 DIN 137/A |
| 38 | F02200137 | COPIGLIA 2X 15 U1336 ZN | SPLIT PIN 2 X15 1336 GALVAN. | GOUPILLE 2 X15 1336 ZN | SPLINT 2 X15 1336 ZN | PASADOR 2 X15 1336 ZN |
| 39 | F02100079 | SPINA E.P. 5X 16 U6873 C70 BR | PIN EL. 5X 16 U6873 C70 BR | | | |
| 40 | F02100083 | SPINA E.P. 5X 24 U6873 C70 BR | PIN EL. 5X 24 U6873 C70 BR | FICHE EL. 5 X24 DIN 1481 | SPANNSTIFT 5 X24 DIN 1481 | CLAVIJA EL.5 X24 DIN 1481 |
| 41 | F02150012 | LINGUETTA 5X 5X 10 U6604A | PARALLEL KEY 5X 5X 10 U6604A | | | |
| 42 | F02200200 | COPIGLIA 4X 70 U1336 ZN | SPLIT PIN 4 X70 1336 GALVAN. | GOUPILLE 4 X70 1336 ZN | SPLINT 4 X70 1336 ZN | PASADOR 4 X70 1336 ZN |
| 43 | G15421870 | PORTA DI SCARICO DISTRIBUTORE | DISTRIBUTOR DISCHARGE DOOR | PORTE DE DECHARGEMENT DISTRIB. | ENTLADUNGSTSR SZAPPARAT | PUERTA DESCARGA DISTRIBUIDOR |
| 44 | GA5220361 | MONT.CORPO DISTRIBUZIONE MTR | | | | |
| 45 | G19002750 | COPERCHIO SERBATOIO SEME 530 | SEED TANK COVER 530 | COUVERCLE RES GRAINES 530-MT | SAMENBEHZLTERDECKEL 530 | TAPA DEPOSITO SEMILLA 530 A |
| 46 | F01420036 | ROS.M6 6,4X 18X 2 U6593 ZN | FLAT WASHER 6-6X 18X2 6593 ZN | ROND. PLATE 6-6X 18X2 6593 ZN | SCHEIBE 6-6X 18X2 6593 ZN | ARAND. PLANA 6-6X 18X2 6593 ZN |
| 47 | F01020403 | VITE M6X1X16 U5739 8.8 ZN | BOLT M6X1X16 U5739 8.8 ZN | VIS M6X1X16 U5739 8.8 ZN | SCHRAUBE M6X1X16 U5739 8.8 ZN | TORNILLO M6X1X16 U5739 8.8 ZN |
| 48 | F01220011 | DADO M 6X 1 D980 8 ZN | NUT M6X1 D980 8 ZN | ECROU M6X1 D980 8 ZN | MUTTER M6X1 D980 8 ZN | TUERCA M6X1 D980 8 ZN |
| 49 | G15226240 | MONT.SERB. SEME 60 LITRI | TANKASSEMBLY SEED 60LT | | | |
| 50 | F01200220 | DADO M 5X 0,8 U5588 6.8 ZN | NUT 5 UNI 5588 6.8 GALVANIZED | ECROU 5 UNI 5588 6.8 ZN | MUTTER 5 UNI 5588 6.8 ZN | TUERCA 5 UNI 5588 6.8 ZN |
| 51 | F01430035 | ROS.M5 5,3X 10X0,6 U8842J ZN | WASHER D5 DIN 6798 D.INT. Z | RONDELLE D5 DIN 6798 D. INT. Z | UNT. SCHEIBE D5 DIN 6798 D. IN | ARANDELA D5 DIN 6798 D.INT.ZN |
| 52 | G166200110 | ESPULSORE SEMI BIETOLA | SUGAR BEET EJECTOR | EXPULSEUR BETTES | ANSWERFER RUBEN | EXPULSOR REMOLACHA |
| 53 | F01020381 | VITE M5X0,8X20 U5739 A2 IX | BOLT M5X 0.8X20 U5739 A2 IX | VIS 5X20 5739 | SCHRAUBE 5X20 5739 | TORNILLO 5X20 5739 |
| 54 | G22270133 | PIASTRINA ANTI TRABOC.SEMI MIN | MINUTE SEED PLATE SP | PLAQUETTE GRAINES PETITES SP | PLZTTCHEN KLEINE SAMEN SP | PLAQUETA SEMILLAS PEQUEAS SP |
| 55 | G16620360 | DIMA SELETTORE FISSO | POSITION PLATE FOR FIXED SELEC | GABARIT POSITION SELECTEUR FIX | F.INSTELLEHRE F. R.FIXEN ABSTREI | PLACA PARA LA POSICIEN SELECTO |
| 56 | G18701890 | RONDELLA D.8,5 SVASATA ZN | FLARED WASHER D.8.5 ZN | RONDELLE D.8.5 +VAS+E ZN. | F-CHERSCHEIBE D.8,5 ZN. | ARANDELA D.8,5 ABOCINADA ZN. |
| 57 | F01030055 | VITE M 8X1,25X20 U5933 10.9 ZD | BOLT M8X1.25X20 U5933 10.9 ZD | VIS M 8X20 | SCHRAUBE M 8X20 | TORNILLO M 8X20 |
| 58 | G15224471 | SERBATOIO SEME COMPLETO MT | SEED TANK ASSY. MT | RESERVOIR GRAINES COMPL PLA MT | SAMENBEHZLTER KOMPLETT MT | DEPOSITO SEMILLAS COMPLETO MT B |
| 59 | G17722791 | MONT.COPERCHIO DISTRIB.REGINA | | | | |
| 60 | G17722622 | PROTEZIONE SX | LEFT GAIRD | | | |
| 61 | F01070011 | VITE M4,2X1,41X9,5 U6950 4.8NI | BOLT- SELF-TAPPING 4-2X9-5T.E. | VIS AUTOTAR. 4-2X9-5 T. E. COU | SELBSTSCHNEID. SCHRAUBE 4-2X9- | TORNILLO AUTORROSC. 4-2X9-5 |
| 62 | G18904240 | MOLLA APERTURA PORTA CONTROLLO | SPRING | RESSORT | FEDER | MUELLE |
| 63 | F01020404 | VITE M6X1X20 U5739 8.8 ZN | BOLT M 6X 1X20 U5739 8.8 ZN | VIS M 6X20 | SCHRAUBE M 6X20 | TORNILLO M 6X20 |
| 64 | G19005480 | COPERCHIO SERBAT.SEME 60 LITRI | COVER SEED HOPPER 60 LITRE | | | |
| 65 | G22270069 | ASSE PORTA PIGNONE | PINION BEARING SPINDLE | AXE PORTE-PIGNON | RITZELTRZGERACHSE | EJE PORTA-PIAN A |
| 66 | G19204060 | FORCELLA | FORK | | | |
| 67 | F02100087 | SPINA E.P. 5X 30 U6873 C70 BR | PIN EL. 5 X30 DIN 1481 | FICHE EL. 5 X30 DIN 1481 | SPANNSTIFT 5 X30 DIN 1481 | CLAVIJA EL.5 X30 DIN 1481 |
| 68 | G15221221 | TUBO CARDANO 20 L. 165 | CARDAN TUBE 20 L.165 | | | |
| 69 | G22270454 | CROCIERA COMPL. SP/S | SPIDER SP/S | CROSILLON COMPL CARDAN TRANSM | GELENKKREUZ KOMPL. SP/S | CRUCETA COMPL. SP/S |

TAV. 130

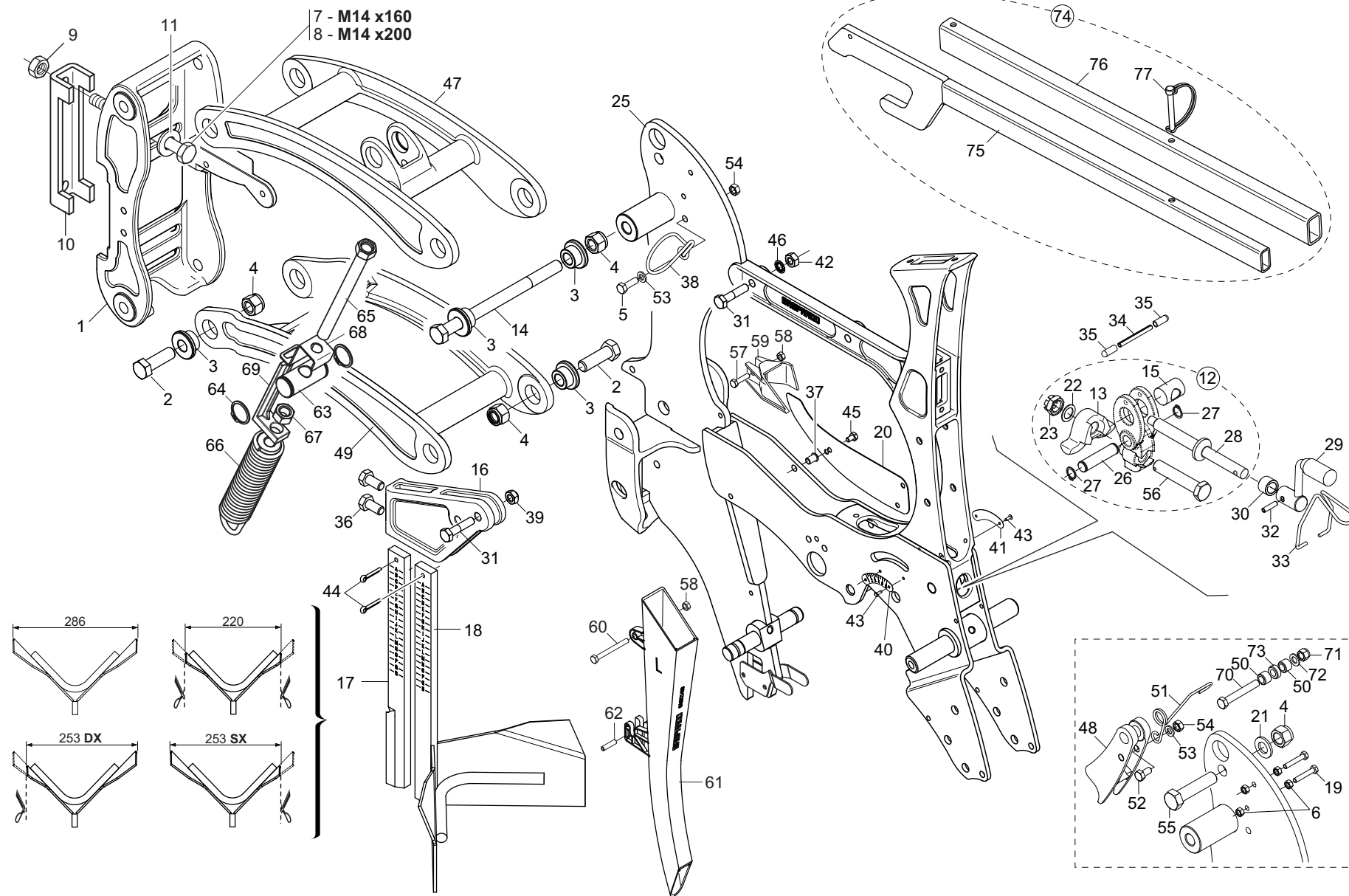
| Codice Code Code Kodex Codigo | Nr e ø fori Nr and ø holes Nr et ø trous Nr und ø löcher Nr y ø agujeros | Coltura | Seeds | Cultures | Samen | Semillas | Distanza semina Seeding dist. Dist. de semis Saatabstandes Dist. siembra | Codice Code Code Kodex Codigo | Nr e ø fori Nr and ø holes Nr et ø trous Nr und ø löcher Nr y ø agujeros | Coltura | Seeds | Cultures | Samen | Semillas | Distanza semina Seeding dist. Dist. de semis Saatabstandes Dist. siembra | | | |
|-------------------------------|--|---------|--|---|---|--|--|-----------------------------------|--|---------|---|--|---|---|--|------------------------------------|---|-------------|
| 22230298 | 20 | 0,8 (1) | | | | | ↓ min.10,4 cm. max. 41,7 cm. | 22230290 | 36 | 2,5 | Pomodoro conf. ø 3,5+4,5 mm Ginseng | Tomato pilled ø 3,5-4,5 mm Ginseng | Tomate enrobè ø 3,5+4,5 mm Ginseng | Tomate pilliert ø 3,5-4,5 mm Ginseng | Tomate conf. ø 3,5+4,5 mm Ginseng | max. 23,2 cm. | | |
| 22230319 | 20 | 1 (1) | Cavolo broccolo | Broccoli | Chou-Broccoli | Brokkoli | | Bróculi | 22230197 | 36 | 3,5 | Fagiolino Piselli Soia | Beans (Little) Peas Soyabeans | Haricot (Petit) Pois Soja | Grüne Bohnen Erbsen Soja | Judias verdes Arveja Soja | ↑ | |
| 22230327 | 20 | 1,1 (1) | Cavolo verza | Cabbage,Savoy | Chou de Milan | Wirsing | | Col de Milán | 22230199 | 36 | 4,5 | Fagiolo Piselli Favino | Beans Peas - | Haricot Pois - | Bohnen Erbsen - | Poroto Arveja - | | |
| 22230320 | 20 | 1,5 | | | | | | | 22230295 | 36 | 5,5 | Fagiolo | Beans | Haricot | Bohnen | Poroto | | |
| 22230294 | 20 | 2,1 | Zucchini Melone Anguria Cardo | Squash Melon Watermelon - | Courgette Melon Pastèque - | Kürbis Melone Wassermelone - | | Calabacín Melón Sandía - | 10123760R | 36 | 5,5 (2) | Fagiolo | Beans | Haricot | Bohnen | Poroto | | |
| 22230203 | 20 | 2,5 | Girasole | Sunflower | Tournesol | Sonnenblumen | | Girasol | 22230304 | 36 | 7 | | | | | | | |
| 22230192 | 20 | 3,5 | Cotone Mais (Piccolo) | Cotton Corn (Little) | - Mais (Petit) | Baumwohl Mais (Klein) | | - Maiz (Pequeño) | 22230321 | 52 | 1,5 | | | | | | | min. 4 cm. |
| 22230048 | 20 | 4,5 | Mais | Corn | Mais | Mais | | Maiz | 22230328 | 52 | 2,1 | Barbabetola | Beets | Betteraves | Rüben | Remolacha | | ↓ |
| 22230047 | 20 | 5,5 | Mais (Grosso) Ceci Fagiolo borlotto e cannellino Arachidi | Corn (Big) Pulses Beans Peanut | Mais (Gros) - Haricot - | Mais (Grosse) - Bohnen - | | Maiz (Grueso) - Poroto - | 22230299 | 52 | 2,5 | | | | | | | ↑ |
| 22230205 | 20 | 7 | Arachidi Lupino | Peanut - | - - | - - | | - - | 22230316 | 52 | 3,5 | Fagiolino | Beans (Little) | Haricot (Petit) | Grüne Bohnen | Judias verdes | | max. 16 cm. |
| 10124030R | 26 | 1 (1) | | | | | | 22230288 | 52 | 4,25 | Soia | Soyabeans | Soja | Soja | Soja | ↓ min. 2,9 cm. max. 11,6 cm. | | |
| 22230253 | 26 | 1,5 | | | | | | 22230194 | 72 | 0,5 (1) | Endivia Lattuga | Endive Lettuce | Chicorée Laitue | Winterendivien Kopfsalat | Escarola Lechuga | | | |
| 22230296 | 26 | 2,1 | Zucchini Melone Anguria Cardo | Squash Melon Watermelon - | Courgette Melon Pastèque - | Kürbis Melone Wassermelone - | Calabacín Melón Sandía - | 22230195 | 72 | 0,8 (1) | Endivia Lattuga Rapa Senape Finocchio Anice | Endive Lettuce Turnip Mustard Fennel - | Chicorée Laitue Navet Moutarde Fenouil - | Winterendivien Kopfsalat Speiserüben Senft Fenchel - | Escarola Lechuga Nabo - Hinojo - | | | |
| 22230289 | 26 | 2,5 | Girasole | Sunflower | Tournesol | Sonnenblumen | Girasol | 22230193 | 72 | 1,1 (1) | Pomodoro Rapa Finocchio Colza Panico | Tomato Turnip Fennel Canola - | Tomate Navet Fenouil Colza - | Tomate Speiserüben Fenchel Raps - | Tomate Nabo Hinojo Colza - | | | |
| 22230249 | 26 | 3,5 | Cotone Mais (Piccolo) | Cotton Corn (Little) | - Mais (Petit) | Baumwohl Mais (Klein) | - Maiz (Pequeño) | 22230257 | 72 | 1,5 | Spinacio Ravanello Asparagio Pomodoro conf. ø 2,5+3,5 mm | Spinach Radish Asparagus Tomato pilled ø 2,5-3,5 mm | Epinaud Radis Asperge Tomate enrobè ø 2,5+3,5 mm | Spinat Radies Spargel Tomate pilliert ø 2,5-3,5 mm | Espinaca Rabanito Espárrago Tomate conf. ø 2,5+3,5 mm | | | |
| 22230050 | 26 | 4,5 | Mais | Corn | Mais | Mais | Maiz | 22230213 | 72 | 2,1 | Bieta a coste Saggina | Swiss Chard | Poirée - | Mangold - | Acelga - | | | |
| 22230303 | 26 | 5 | | | | | | 10124040R | 72 | 2,5 | | | | | | | | |
| 22230049 | 26 | 5,5 | Mais (Grosso) Ceci Fagiolo borlotto e cannellino Arachidi | Corn (Big) - Beans - | Mais (Gros) - Haricot - | Mais (Grosse) - Bohnen - | Maiz (Grueso) - Poroto - | 22230198 | 72 | 3,5 | Fagiolino Soia | Beans (Little) Soyabeans | Haricot (Petit) Soja | Grüne Bohnen Soja | Judias verdes Soja | | | |
| 22230317 | 36 | 1,1 (1) | Pomodoro | Tomato | Tomate | Tomate | Tomate | 10124020R | 72 | 4,25 | Soia | Soyabeans | Soja | Soja | Soja | | | |
| 22230196 | 36 | 1,5 | Lenticchia Cetriolo Pomodoro conf. ø 2,5+3,5 mm | - Cucumber Tomato pilled ø 2,5-3,5 mm | - Concombre Tomate enrobè ø 2,5+3,5 mm | - Gurke Tomate pilliert ø 2,5-3,5 mm | - Pepino Tomate conf. ø 2,5+3,5 mm | 22230256 | 72 | 4,5 | | | | | | | ↑ | |
| 22230051 | 36 | 2,1 | Barbabetola Zucchini Melone Anguria Cardo Sorgo Sesamo | Beets Squash Melon Watermelon - Sorghum - | Betteraves Courgette Melon Pastèque - Sorgo - | Rüben Kürbis Melone Wassermelone - Hirse - | Remolacha Calabacín Melón Sandía - Sorgo - | | | | | | | | | | | |

DISCHI DI SEMINA

TAV. 130

| Pos. | Cod. | Descrizione | Description | Description | Benennung | Descripcion |
|------|-----------|-------------------------------|-------------------------------|--------------------------------|--------------------------------|---------------------------------|
| 1 | G10123970 | DISCO 104F D.2,0 SP-MT | DISK 104 HOLES D.2,00 SP | DISQUE 104 TROUS D.2,00 SP | SCHEIBE 104 LTCHER D.2,00 SP | DISCO 104 ORIFICIOS D.2,00 SP |
| 2 | G10124010 | DISCO 60F D.4,5 SP-MT | DISK 60 HOLES D.4-5 SP LM | DISQUE 60 TROUS D. 4-5 SP LM | SCHEIBE 60 LTCHER D.4-5 SP LM | DISCO 60 ORIFICIOS D.4-5 SP LM |
| 3 | G10124020 | DISCO 72F D.4,25 SP-MT | DISK 72 HOLES D.4-25 SP LM | DISQUE 72 TROUS D. 4-25 SP LM | SCHEIBE 72 LTCHER D.4-25 SP | DISCO 72 ORIFICIOS D.4-5 SP LM |
| 4 | G10124030 | DISCO 26F D.1,0 SP-MT | STEEL DISK 26 HOLES D 1.0 SP | DISQUE ACC. 26 TROUS D 1-0 SP | DISQUE ZUB. 26 LTCHER D 1-0 S | DISCO AC. 26 ORIFICIOS D 1-0 S |
| 5 | G10124040 | DISCO 72F D.2,5 SP-MT | DISK ST. 72 H. D 2,5 | DISQUE ACIER 72 TROUS D 2,5 | STAHLSCHEIBE 72 L. D 2,5 | DISCO ACERO 72 ORIF. D 2,5 |
| 6 | G10124050 | DISCO 104F D.1,1 SP-MT | STEEL DISC 104 HOLES D 1.1 SP | DISQUE ACIER 104 TROUS D 1,1 | STAHLSCHEIBE 104 BOHR. D 1,1 | DISCO ACC.104 AGUJEROS D 1,1 |
| 7 | G10124060 | DISCO 26F D.4,0 SP-MT | DISC 26 F. D.4 | DISQUE 26 TROUS D.4 | SCHEIBE 26 B. D.4 | DISCO 26 AGUJEROS T 4 |
| 8 | G10124070 | DISCO 36F D.1,7 SP-MT | DISK 36 HOLES D.1.7 SP LM | DISQUE 36 TROUS D.1,7 SP LM | SCHEIBE 36 LTCHER D.1,7 SP LM | DISCO 36 ORIFICIOS D.1,7 SP LM |
| 9 | G10124090 | DISCO 6F D.4,5 SP-MT | DISK 6 HOLES D.4,5 | DISQUE 6 TROUS D. 4,5 | SCHEIBE 6 LTCHER D.4,5 | DISCO 6 ORIFICIOS D.4,5 |
| 10 | G10124100 | DISCO 6F D.3,0 SP-MT | DISK 6 HOLES D.3,0 | DISQUE 6 TROUS D. 3,0 | SCHEIBE 6 LTCHER D.3,0 | DISCO 6 ORIFICIOS D.3,0 |
| 11 | G22230047 | DISCO 20F D.5,5 SP-MT | DISK 20 H. D.5-5 CORN SP LM | DISQUE 20 TROUS D. 5-5 MAIS SP | SCHEIBE 20 L. D.5-5 MAIS SP LM | DISCO 20 ORIF. D.5-5 MAZ SP LD |
| 12 | G22230048 | DISCO 20F D.4,5 SP-MT | DISK 20 H. D.4-5 SUNF..SP LM | DISQUE 20 TROUS D. 4-5 TOURN. | SCHEIBE 20 L. D.4-5 SONNENBLU. | DISCO 20 ORIF. D.4-5 GIRA.SP L |
| 13 | G22230049 | DISCO 26F D.5,5 SP-MT | DISK 26 H. D.5-5 CORN SP LM | DISQUE 26 TROUS D. 5-5 MAIS SP | SCHEIBE 26 L. D.5-5 MAIS SP LM | DISCO 26 ORIF. D.5-5 MAZ SP LD |
| 14 | G22230050 | DISCO 26F D.4,5 SP-MT | DISK 26 H. D.4-5 CORN SP LM | DISQUE 26 TROUS D. 4-5 MAIS | SCHEIBE 26 L. D.4-5 MAIS | DISCO 26 ORIF. D.4-5 MAZ SP L |
| 15 | G22230051 | DISCO 36F D.2,1 SP-MT | DISK 36 H. D.2-1 BEET.SP LM | DISQUE 36 TROUS D. 2-1 BETTES | SCHEIBE 36 L.R. D.2-1 RsBEN SP | DISCO 36 ORIF. D.2-1 REMOLACHA |
| 16 | G22230192 | DISCO 20F D.3,5 SP-MT | DISK 20 HOLES D.3-5 SP LM | DISQUE 20 TROUS D. 3-5 SP LM | SCHEIBE 20 LTCHER D.3-5 SP LM | DISCO 20 ORIFICIOS D.3-5 SP LM |
| 17 | G22230193 | DISCO 72F D.1,1 SP-MT | DISK 72 HOLES D.1-1 SP LM | DISQUE 72 TROUS D. 1-1 SP LM | SCHEIBE 72 LTCHER D.1-1 SP LM | DISCO 72 ORIFICIOS D.1-1 SP LM |
| 18 | G22230194 | DISCO 72F D.0,5 SP-MT | DISK 72 HOLES D.0-5 SP LM | DISQUE 72 TROUS D. 0-5 SP LM | SCHEIBE 72 LTCHER D.0-5 SP LM | DISCO 72 ORIFICIOS D.0-5 SP LM |
| 19 | G22230195 | DISCO 72F D.0,8 SP-MT | DISK 72 HOLES D.0-8 SP LM | DISQUE 72 TROUS D. 0-8 SP LM | SCHEIBE 72 LTCHER D.0-8 SP LM | DISCO 72 ORIFICIOS D.0-8 SP LM |
| 20 | G22230196 | DISCO 36F D.1,5 SP-MT | DISK 36 HOLES D.1-5 SP LM | DISQUE 36 TROUS D. 1-5 SP LM | SCHEIBE 36 LTCHER D.1-5 SP LM | DISCO 36 ORIFICIOS D.1-5 SP LM |
| 21 | G22230197 | DISCO 36F D.3,5 SP-MT | DISK 36 HOLES D.3-5 SP LM | DISQUE 36 TROUS D. 3-5 SP LM | SCHEIBE 36 LTCHER D.3-5 SP LM | DISCO 36 ORIFICIOS D.3-5 SP LM |
| 22 | G22230198 | DISCO 72F D.3,5 SP-MT | DISK 72 HOLES D.3-5 SP LM | DISQUE 72 TROUS D. 3-5 SP LM | SCHEIBE 72 LTCHER D.3-5 SP LM | DISCO 72 ORIFICIOS D.3-5 SP LM |
| 23 | G22230199 | DISCO 36F D.4,5 SP-MT | DISK 36 HOLES D.4-5 SP LM | DISQUE 36 TROUS D. 4-5 SP LM | SCHEIBE 36 LTCHER D.4-5 SP LM | DISCO 36 ORIFICIOS D.4-5 SP LM |
| 24 | G22230203 | DISCO 20F D.2,5 SP-MT | DISK 20 HOLES D.2-5 SP LM | DISQUE 20 TROUS D. 2-5 SP LM | SCHEIBE 20 LÖCHER D.2-5 SP LM | DISCO 20 ORIF. D.2-5 SP LM |
| 25 | G22230205 | DISCO 20F D.7,0 SP-MT | DISK 20 H. D.7-0 PEAN..SP LM | DISQUE 20 TROUS D. 7-0 ARACHID | SCHEIBE 20 L. D.7-0 ERDNUSS SP | DISCO 20 ORIF. D.7-0 CACAH. SP |
| 26 | G22230213 | DISCO 72F D.2,1 SP-MT | DISK 72 HOLES D.2-1 SP LM | DISQUE 72 TROUS D. 2-1 SP LM | SCHEIBE 72 LTCHER D.2-1 SP LM | DISCO 72 ORIFICIOS D.2-1 SP LM |
| 27 | G22230216 | DISCO 144F D.1,1 SP-MT | DISK 144 HOLES D.1-1 SP LM | DISQUE 144 TROUS D. 1-1 SP LM | SCHEIBE 144 LTCHER D.1-1 SP LM | DISCO 144 ORIFICIOS D.1-1 SP L |
| 28 | G22230217 | DISCO 36F D.5,5 SP-MT | DISK 36 HOLES D.5-5 SP LM | DISQUE 36 TROUS D. 5-5 SP LM | SCHEIBE 36 LTCHER D.5-5 SP LM | DISCO 36 ORIFICIOS D.5-5 SP LM |
| 29 | G22230249 | DISCO 26F D.3,5 SP-MT | DISK 26 HOLES D 3-5 SP LM | DISQUE 26 TROUS D 3-5 SP LM | SCHEIBE 26 LTCHER D 3-5 SP LM | DISCO 26 ORIFICIOS D 3-5 SP LM |
| 30 | G22230250 | DISCO 144F D.2,1 SP-MT | DISK 144 HOLES D.2-1 SP LM | DISQUE 144 TROUS D. 2-1 SP LM | SCHEIBE 144 LTCHER D.2-1 SP LM | DISCO 144 ORIFICIOS D.2-1 SP L |
| 31 | G22230253 | DISCO 26F D.1,5 SP-MT | DISK 26 HOLES D.1-5 SP LM | DISQUE 26 TROUS D. 1-5 SP LM | SCHEIBE 26 LTCHER D.1-5 SP LM | DISCO 26 ORIFICIOS D.1-5 SP LM |
| 32 | G22230256 | DISCO 72F D.4,5 SP-MT | DISK 72 HOLES D.4-5 SP LM | DISQUE 72 TROUS D. 4-5 SP LM | SCHEIBE 72 LTCHER D.4-5 SP LM | DISCO 72 ORIFICIOS D.4-5 SP LM |
| 33 | G22230257 | DISCO 72F D.1,5 SP-MT | DISK 72 HOLES D.1-5 SP LM | DISQUE 72 TROUS D. 1-5 SP LM | SCHEIBE 72 LTCHER D.1-5 SP LM | DISCO 72 ORIFICIOS D.1-5 SP LM |
| 34 | G22230287 | DISCO 144F D.1,5 SP-MT | DISK 144 HOLES D.1-5 SP LM | DISQUE 144 TROUS D. 1-5 SP LM | SCHEIBE 144 LTCHER D.1-5 SP LM | DISCO 144 ORIFICIOS D.1-5 SP LM |
| 35 | G22230288 | DISCO 52F D.4,25 SP-MT | DISK 52 HOLES D.4-25 SP LM | DISQUE 52 TROUS D. 4-25 SP LM | SCHEIBE 52 LTCHER D.4-25 SP LM | DISCO 52 ORIFICIOS D.4-25 SP L |
| 36 | G22230289 | DISCO 26F D.2,5 SP-MT | DISK 26 HOLES D.2-5 SP LM | DISQUE 26 TROUS D. 2-5 SP LM | SCHEIBE 26 LTCHER D.2-5 SP LM | DISCO 26 ORIFICIOS D.2-5 SP LM |
| 37 | G22230290 | DISCO 36F D.2,5 SP-MT | DISK 36 HOLES D.2-5 SP LM | DISQUE 36 TROUS D. 2-5 SP LM | SCHEIBE 36 LTCHER D.2-5 SP LM | DISCO 36 ORIFICIOS D.2-5 SP LM |
| 38 | G22230294 | DISCO 20F D.2,1 SP-MT | DISK 20 HOLES D.2-1 SP LM | DISQUE 20 TROUS D. 2-1 SP LM | SCHEIBE 20 LTCHER D.2-1 SP LM | DISCO 20 ORIFICIOS D.2-1 SP LM |
| 39 | G22230296 | DISCO 26F D.2,1 SP-MT | DISK 26 HOLES D.2-1 SP LM | DISQUE 26 TROUS D. 2-1 SP LM | SCHEIBE 26 LÖCHER D.2-1 SP LM | DISCO 26 ORIFICIOS D.2-1 SP LM |
| 40 | G22230297 | DISCO 144F D.0,8 SP-MT | DISK 144 HOLES D.0-8 SP LM | DISQUE 144 TROUS D. 0-8 SP LM | SCHEIBE 144 LTCHER D.0-8 SP LM | DISCO 144 ORIFICIOS D.0-8 SP L |
| 41 | G22230298 | DISCO 20F D.0,8 SP-MT | DISK 20 HOLES D.0-8 SP LM | DISQUE 20 TROUS D. 0-8 SP LM | SCHEIBE 20 LTCHER D.0-8 SP LM | DISCO 20 ORIFICIOS D.0-8 SP LM |
| 42 | G22230299 | DISCO 52F D.2,5 SP-MT | DISK 52 HOLES D.2-5 SP LM | DISQUE 52 TROUS D. 2-5 SP LM | SCHEIBE 52 LTCHER D.2-5 SP LM | DISCO 52 ORIFICIOS D.2-5 SP LM |
| 43 | G22230300 | DISCO POST.10G-3F D.2,1 SP-MT | DISK POST.10G-3F-D2-1 SP LM | DISQUE ARRIERE 10G. 3 TROUS D2 | HINTERSCHEIBE 10G-3L-D2-1 SP L | DISCO TRAS.10G. 3 ORIF. D2-1 S |
| 44 | G22230301 | DISCO 144F D.0,5 SP-MT | DISK 144 HOLES D.0-5 SP LM | DISQUE 144 TROUS D. 0-5 SP LM | SCHEIBE 144 LTCHER D.0-5 SP LM | DISCO 144 ORIFICIOS D.0-5 SP L |
| 45 | G22230303 | DISCO 26F D.5,0 SP-MT | DISK 26 HOLES D.5-0 SP LM | DISQUE 26 TROUS D. 5-0 SP LM | SCHEIBE 26 LTCHER D.5-0 SP LM | DISCO 26 ORIFICIOS D.5-0 SP LM |
| 46 | G22230304 | DISCO 36F D.7,0 SP-MT | DISK 36 HOLES D.7 LM | DISQUE 36 TROUS D. 7 LM | SCHEIBE 36 LTCHER D.7 LM | DISCO 36 ORIFICIOS D.7 LM |
| 47 | G22230306 | DISCO 12F D.2,1 SP-MT | DISK 12 HOLES D.2-1 SP LM | DISQUE 12 TROUS D. 2-1 SP LM | SCHEIBE 12 LTCHER D.2-1 SP LM | DISCO 12 ORIFICIOS D.2-1 SP LM |
| 48 | G22230316 | DISCO 52F D.3,5 SP-MT | DISK 52 HOLES D.3-5 SP LM | DISQUE 52 TROUS D. 3-5 SP LM | SCHEIBE 52 LTCHER D.3-5 SP LM | DISCO 52 ORIFICIOS D.3-5 SP LM |
| 49 | G22230317 | DISCO 36F D.1,1 SP-MT | DISK 36 HOLES D.1-1 SP LM | DISQUE 36 TROUS D. 1-1 SP LM | SCHEIBE 36 LTCHER D.1-1 SP LM | DISCO 36 ORIFICIOS D.1-1 SP LM |
| 50 | G22230318 | DISCO 10F D.1,5 SP-MT | DISK 10 HOLES D.1-5 SP LM | DISQUE 10 TROUS D. 1-5 SP LM | SCHEIBE 10 LTCHER D.1-5 SP LM | DISCO 10 ORIFICIOS D.1-5 SP LM |
| 51 | G22230319 | DISCO 20F D.1,0 SP-MT | DISK 20 HOLES D.1-0 SP LM | DISQUE 20 TROUS D. 1-0 SP LM | SCHEIBE 20 LTCHER D.1-0 SP LM | DISCO 20 ORIFICIOS D.1-0 SP LM |
| 52 | G22230320 | DISCO 20F D.1,5 SP-MT | DISK 20 HOLES D.1-5 SP LM | DISQUE 20 TROUS D. 1-5 SP LM | SCHEIBE 20 LTCHER D.1-5 SP LM | DISCO 20 ORIFICIOS D.1-5 SP LM |
| 53 | G22230321 | DISCO 52F D.1,5 SP-MT | DISK 52 HOLES D.1-5 SP LM | DISQUE 52 TROUS D. 1-5 SP LM | SCHEIBE 52 LTCHER D.1-5 SP LM | DISCO 52 ORIFICIOS D.1-5 SP LM |
| 54 | G22230325 | DISCO 160F D.1,5 SP-MT | DISK 160 HOLES D.1-5 SP LM | DISQUE 160 TROUS D. 1-5 SP LM | SCHEIBE 160 LTCHER D.1-5 SP LM | DISCO 160 ORIFICIOS D.1-5 SP L |
| 55 | G22230326 | DISCO 180F D.1,5 SP-MT | DISK 180 HOLES D.1-5 SP LM | DISQUE 180 TROUS D. 1-5 SP LM | SCHEIBE 180 LTCHER D.1-5 SP LM | DISCO 180 ORIFICIOS D.1-5 SP L |
| 56 | G22230327 | DISCO 20F D.1,1 SP-MT | DISK 20 HOLES D.1-1 SP LM | DISQUE 20 TROUS D. 1-1 SP LM | SCHEIBE 20 LTCHER D.1-1 SP LM | DISCO 20 ORIFICIOS D.1-1 SP LM |
| 57 | G22230328 | DISCO 52F D.2,1 SP-MT | DISK 52 HOLES D.2-1 SP LM | DISQUE 52 TROUS D. 2-1 SP LM | SCHEIBE 52 LTCHER D.2-1 SP LM | DISCO 52 ORIFICIOS D.2-1 SP LM |
| 58 | G22230332 | DISCO 13F D.3,5 SP-MT | DISK 13 HOLES D.3.5 SP LM | DISQUE 13 TROUS D.3-5 SP LM | SCHEIBE 13 LTCHER D.3-5 SP LM | DISCO 13 ORIFICIOS D.3-5 SP |

TAV. 141

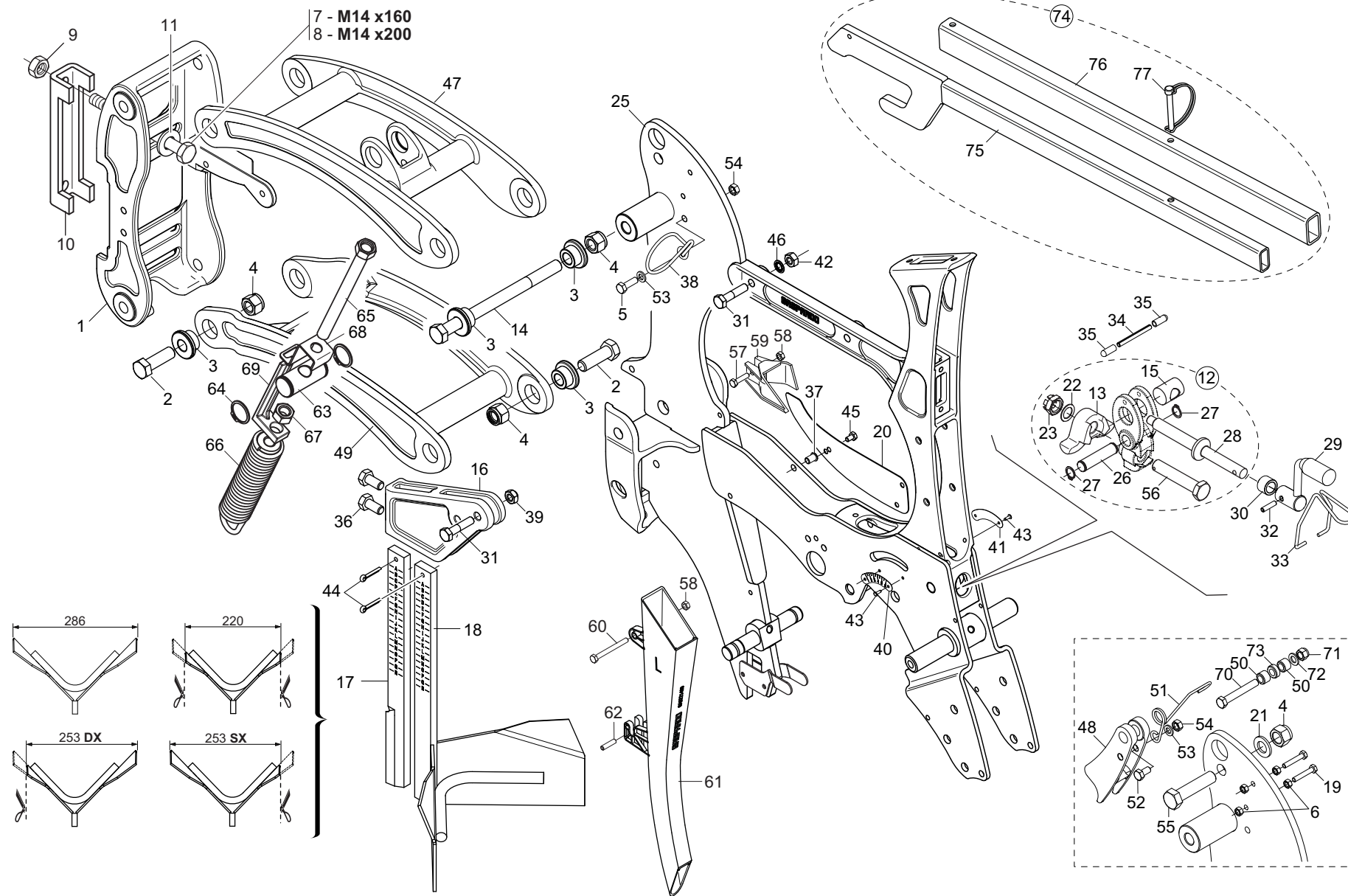


TELAIO ELEMENTO

TAV. 141

| Pos. | Cod. | Descrizione | Description | Description | Benennung | Descripcion |
|------|-----------|--------------------------------|--------------------------------|---------------------------------|--------------------------------|---------------------------------|
| 1 | GA5220112 | PIASTRA FRONTALE | FRONT PLATE | | | |
| 2 | F01020252 | VITE M16X2X50 U5737 8.8 ZN | BOLT M16X 2X 50 U5737 8.8 ZN | VIS M16X 2X 50 U5737 8.8 ZN | SCHRAUBE M16X2X50 U5737 8.8 ZN | TORNILLO M16X2X50 U5737 8.8 ZN |
| 3 | G17722000 | BOCCOLA SINTERIZZ.16,25X28X13 | SINTERED BUSHING | | | |
| 4 | F01230085 | DADO M16X 2 D982 8 ZN | NUT M16X 2 D982 8 ZN | ECROU M16X 2 D982 8 ZN | MUTTER M16X 2 D982 8 ZN | TUERCA M16X 2 D982 8 ZN |
| 5 | F01020440 | VITE M 8X1,25X25 U5739 8.8 ZN | BOLT M8X1,25X25 U5739 8.8 ZN | VIS M8X1,25X25 U5739 8.8 ZN | SCHRA. M8X1,25X25 U5739 8.8 ZN | TORNIL. M8X1,25X25 U5739 8.8 ZN |
| 6 | F01200232 | DADO M 6X 1 U5588 6.8 ZN | NUT 6 UNI 5588 6.8 GALVANIZED | ECROU 6 UNI 5588 6.8 ZN | MUTTER 6 UNI 5588 6.8 ZN | TUERCA 6 UNI 5588 6.8 ZN |
| 7 | F01020225 | VITE M14X2X160 U5737 8.8 BR | BOLT M 14 X160 5737 8.G | VIS M 14 X160 5737 8.G | SCHRAUBE M 14 X160 5737 8.G | TORNILLO M 14 X160 5737 8.G |
| 8 | F01020233 | VITE M14X2X200 U5737 8.8 BR | BOLT M14X 2X200 U5737 8.8 ZB | VIS M14X2X 200 U5737 8.8 ZB | SCHRAUBE M14X 2X200 U5737 8.8 | TORNILLO M14X2X200 5737 8.8 ZB |
| 9 | F01200306 | DADO M14X 2 U5588 6.8 ZN | NUT M14X2 | ECROU M14X2 | MUTTER M14X2 | DADO M14X2 |
| 10 | G15110091 | SCONTRO A U SP.8 2F15 165 | STRIKER | BRIDE 150 MM | ANSCHLAG | ELEMENTO DE EMPALME |
| 11 | G20970142 | RONDELLA 32X4X15,5 | WASHER 32X4X15-5 | RONDELLE 32X4X15-5 | UNTERLEGSCHNEIBE 32X4X15-5 | ARANDELA 32X4X15-5 |
| 12 | G17740010 | BILANCIERE REGINA COMPL | REGINA ROCKER ARM MOUNTED ASSY | | | |
| 13 | G17720291 | BILANCIERE | ROCKER ARM | | | |
| 14 | F01020286 | VITE M16X2X220 U5737 10.9 ZD | BOLT 16X220 5737 10.9 GALVANIZ | VIS 16X220 5737 10.9 ZN | SCHRAUBE 16X220 5737 10.9 ZN | TORNILLO 16X220 5737 10.9 ZN |
| 15 | G22230063 | ELEMENTO ARTICOLATO | ARTICULATED ELEMENT | ELEMENT ARTICULE | GELENKELEMENT | ELEMENTO ARTICULADO |
| 16 | G19204000 | SUPP.SPIANATERRA CORTO | SUPPORT SHORT SOIL BRAKER | | | |
| 17 | G15420842 | TAGLIENTE | EDGE | COUTRE CHASSE-MOTTE | SCHNEIDE | FILO DE CORTE |
| 18 | G15224900 | SPIANATERRA | SOIL LEVELLER | NIVELEUSE | ERDEBNER | NIVELADORA |
| 19 | F01020416 | VITE M 6X 1X 55 U5739 8.8 ZN | BOLT M6X 1X 55 U5739 8.8 ZN | VIS 6 X55 5739 8.G ZN | SCHRAUBE 6 X55 5739 8.G ZN | TORNILLO 6X55 5739 8.G ZN |
| 20 | G17722713 | PIATTO DX | RIGHT PLATE | | | |
| 21 | F01410100 | ROS.M16 17X 30X 3 U6592 ZN | WASHER M16 17X30X3 U6592 ZN | RONDELLE M16 17X30X3 U6592 ZN | SCHEIBE M16 17X30X3 U6592 ZN | ARANDELA M16 17X30X3 U6592 ZN |
| 22 | G18701820 | RONDELLA 16,5 X25 X1,0 ZN | WASHER 16,5X25X1,0 ZN | | | |
| 23 | F01210035 | DADO M16X 2 U5594 5.8 ZN | NUT M16X 2 U5594 5.8 ZN | | | |
| 24 | F02200164 | COPIGLIA 3X 30 U1336 ZN | SPLIT PIN 3X 30 U1336 ZN | | | |
| 25 | GA5220012 | ASSIEME CORPO CENTRALE MTR | | | | |
| 26 | G17722800 | PERNO 15 X 63 ZN | PIN 15 X 63 ZN | | | |
| 27 | F02050034 | ANELLO E. DE 15X 1 U7435 C70 | ELASTIC RING DE 15X 1 | BAGUE ELASTIQUE DE 15X 1 | RING DE 15X 1 | ANILLO DE 15X 1 |
| 28 | G17722510 | ASS.VITE TENSIONAMENTO ZN | ADJUSTING SCREW ASSY ZN | | | |
| 29 | G22270235 | MANIGLIA REGOLAZIONE B4 | ADJUSTMENT HANDLE B4 | POIGNEE REGLAGE B4 | EINSTELLGRIFF B4 | MANIJA REGULACIN B4 M |
| 30 | G18803230 | BOCCOLA 15 X22 X16 ZN | BUSHING 15 X22 X16 GALVA | BOITE 15 X22 X16 ZN | BsCHSE 15 X22 X16 ZN | CASQUILLO 15 X22 X16 ZN |
| 31 | F01020112 | VITE M10X1,5X45 U5737 8.8 ZN | BOLT M10X1,5X45 U5737 8.8 ZN | VIS M 10X45 | SCHRAUBE M 10X45 | TORNILLO M 10X45 |
| 32 | F02100109 | SPINA E.P. 6X 24 U6873 C70 BR | PIN EL. .6 X24 DIN 1481 | FICHE EL. 6 X24 DIN 1481 | SPANNSTIFT 6 X24 DIN 1481 | CLAVIJA EL.6 X24 DIN 1481 |
| 33 | G18903741 | MOLLA FERMO MANIGL.MAGICA>2004 | HANDLE STOP SPRING MAGICA 2004 | RESSORT ARRET POIG.MAGICA 2004 | FEDER GRIFFSPERRE MAGICA 2004 | MUELLE BLOQUEO MAN. MAGICA 04 |
| 34 | F02100126 | SPINA E.P. 6X 60 U6873 C70 BR | PIN E.D. 6X60 U6873 C70 BR | FICHE E.D. 6X60 U6873 C70 BR | BOLTZEN E.D. 6X60 U6873 C70 BR | CLAVIJA E.D. 6X60 U6873 C70 BR |
| 35 | F05100193 | CAPPUCCIO 5,95X19,05 GIALLO | CAP | BOUCHON | DECKEL | CORCHO |
| 36 | F01020508 | VITE M12X1,75X25 U5739 8.8 ZN | BOLT M12X1,75X25 U5739 8.8 ZN | VIS M12X1,75X25 U5739 8.8 ZN | SCHR. M12X1,75X25 U5739 8.8 ZN | TORN. M12X1,75X25 U5739 8.8 ZN |
| 37 | F02250684 | INSERTO FIL.M 6X17,5 ZN T.TOND | CYLINDRICAL NUT M 6X17,5 ZN | | | |
| 38 | G18903140 | MOLLA GUIDATUBO | PIPE GUIDE SUPPORT | RESSORT GUIDE-TUBE | FEDER ROHRFSHRUNG | MUELLE GUA TUBOS A |
| 39 | F01220033 | DADO M10X 1,5 D980 8 ZN | NUT M10X 1,5 D980 8 ZN | ECROU M10X 1,5 D980 8 ZN | MUTTER M10X 1,5 D980 8 ZN | TUERCA M10X 1,5 D980 8 ZN |
| 40 | G19705280 | TARGHETTA REG.SX RUOTE PROFOND | PLATE | PLAQUET | PLATTE | PLACA |
| 41 | G19705290 | TARGHETTA REG.DX RUOTE PROFOND | PLATE | PLAQUET | PLATTE | PLACA |
| 42 | F01200270 | DADO M10X 1,5 U5588 6.8 ZN | NUT M10X 1,5 U5588 6.8 ZN | ECROU M10X 1,5 U5588 6.8 ZN | MUTTER M10X 1,5 U5588 6.8 ZN | TUERCA M10X 1,5 U5588 6.8 ZN |
| 43 | F02250066 | RIVETTO STR. 3X 9 U9200A AL | POP RIVET 3X9 ALUMINIUM | RIVET 3 X 9 ALL | REISSNIETE 3 X 9 ALU | REMACHE DESGAR. 3 X 9 AL |
| 44 | F02200226 | COPIGLIA 5X 25 U1336 ZN | SPLIT PIN 5 X25 1336 GALVAN. | GOUPILLE 5 X25 1336 ZN | SPLINT 5 X25 1336 ZN | PASADOR 5 X25 1336 ZN |
| 45 | F01020397 | VITE M6X1X10 U5739 8.8 ZN | BOLT M 6X 1X 10 U5739 8.8 ZN | VIS 6X10 5739 8.G ZN | SCHRAUBE 6X10 5739 8.G ZN | TORNILLO 6X10 5739 8.G ZN |
| 46 | F01430023 | ROS.M10 10,5X 18X0,9 U8842J ZN | WASHER D10 DIN 6798 D.INT.ZN | RONDELLE D10 DIN 6798 D. INT. | UNT. SCHEIBE D10 DIN 6798 D.IN | ARANDELA D10 DIN 6798 D.INT.ZN |
| 47 | GA5220201 | PARALLELO SUPERIORE | UPPER PARALLEL ARM | | | |
| 48 | GA5220260 | BLOCCO AGGANCIO ELEMENTO | | | | |
| 49 | GA5220153 | PARALLELO INFERIORE | LOWER PARALLEL ARM | | | |
| 50 | G18801340 | BOCCOLA 12,25X16 X14 | BUSHING 12,25X16 X14 | BOITE 12,25X16 X14 | B_CHSE 12,25X16 X14 | CASQUILLO 12,25X16 X14 |
| 51 | G18903780 | MOLLA TORSIONE GANCIO SUP. | UPPER HOOK TORSION SPRING | | | |
| 52 | F01020436 | VITE M 8X1,25X 20 U5739 8.8 ZN | BOLT M8X1,25X20 U5739 8.8 ZN | VIS M8X1,25X20 U5739 8.8 ZN | SCHRA. M8X1,25X20 U5739 8.8 ZN | TORN. M8X1,25X20 U5739 8.8 ZN |
| 53 | F01420048 | ROS.M8 8,4X 24X 2 U6593 ZN | WASHER M8 8,4X 24X 2 U6593 ZN | RONDELLE M8 8,4X 24X 2 U6593 ZN | SCHEIBE M8 8,4X 24X 2 U6593 ZN | ARANDELA M8 8,4X 24X 2 U6593 ZN |
| 54 | F01200244 | DADO M 8X1,25 U5588 6.8 ZN | NUT M8 X1,25 U5588 6.8 ZN | ECROU M8 X1,25 U5588 6.8 ZN | MUTTER M8 X1,25 U5588 6.8 ZN | TUERCA M8 X1,25 U5588 6.8 ZN |
| 55 | F01020260 | VITE M16X2X70 U5737 8.8 ZN | BOLT M16X2X70 U5737 8.8 ZN | VIS M16X2X70 U5737 8.8 ZN | SCHRAUBE M16X2X70 U5737 8.8 ZN | TORNILLO M16X2X70 U5737 8.8 ZN |

TAV. 141

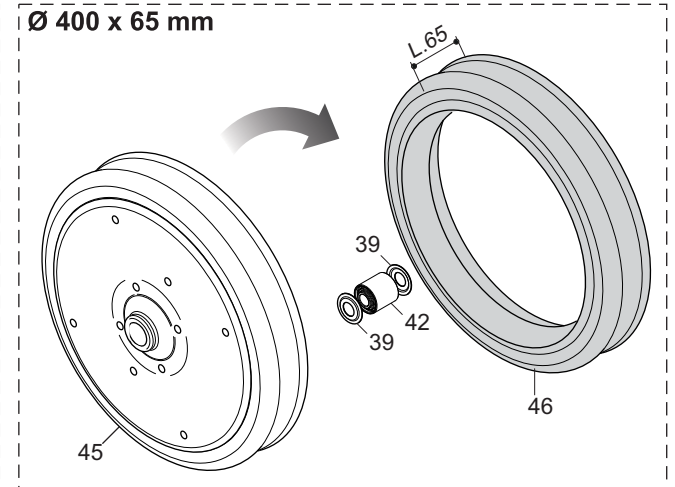
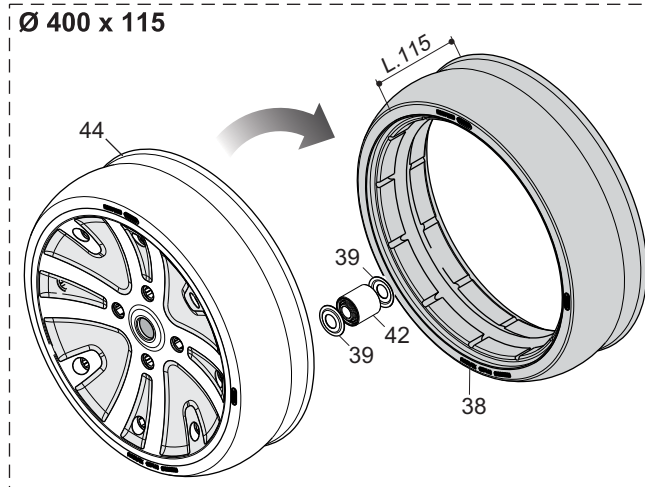
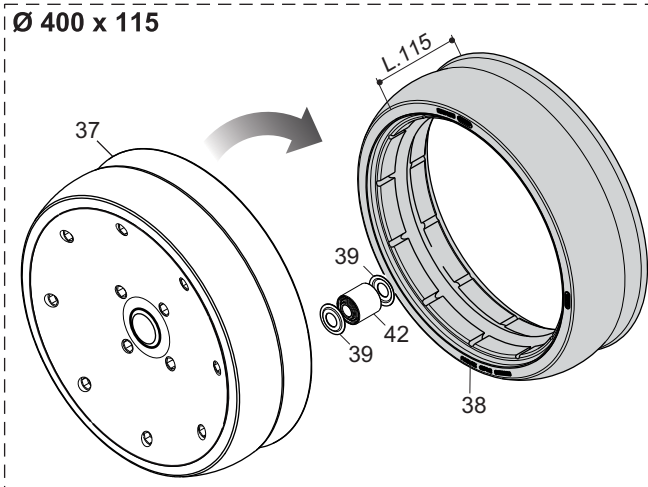
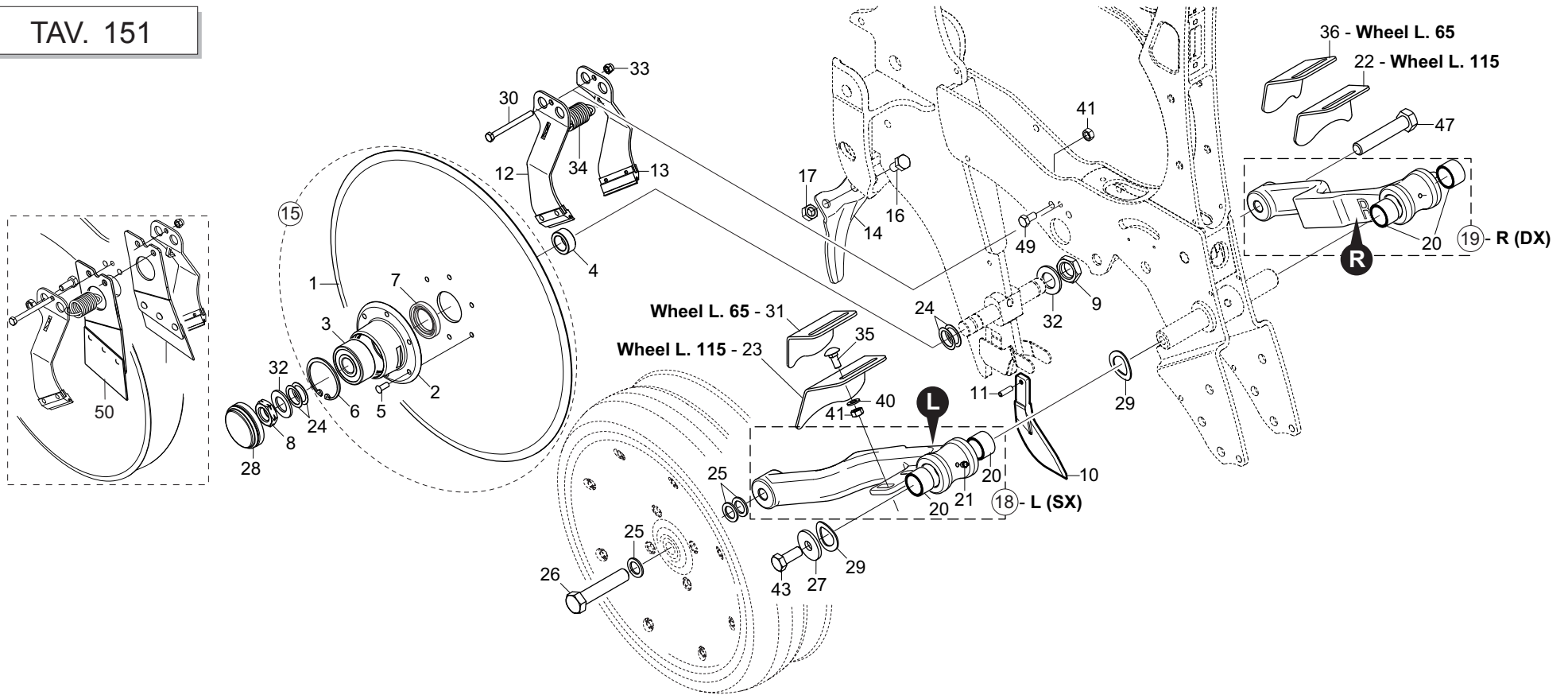


TELAIO ELEMENTO

TAV. 141

| Pos. | Cod. | Descrizione | Description | Description | Benennung | Descripcion |
|------|-----------|--------------------------------|-------------------------------|--------------------------------|--------------------------------|-------------------------------|
| 56 | G17740020 | VITE M16 SPECIALE BILANCIERE | SCREW M16 ROCKER ARM SPECIAL | | | |
| 57 | F01020406 | VITE M6X1X25 U5739 8.8 ZN | BOLT M6X 1X 25 U5739 8.8 ZN | VIS M6X25 | SCHRAUBE M6X25 | TORNILLO M 6X25 |
| 58 | F01220011 | DADO M 6X 1 D980 8 ZN | NUT M6X1 D980 8 ZN | ECROU M6X1 D980 8 ZN | MUTTER M6X1 D980 8 ZN | TUERCA M6X1 D980 8 ZN |
| 59 | G19002700 | PROTEZIONE FOTOCPELLULA > | PHOTOCELL PROTECTION | PROTECT CAPT PHOTOC SP3-MT-MG> | SCHUTZ PHOTOZELLE | PROTECCIN FOTOCCLULA PR |
| 60 | F01020422 | VITE M6X1X60 U5739 8.8 ZN | BOLT M6X1 X 60 U5739 8.8 ZN | VIS M6 X1 X 60 U5739 8.8 | SCHRAUBE M6 X1 X 60 U5739 8. | TORNIL. M6 X1 X 60 U5739 8.8 |
| 61 | GA5221460 | CONVOGLIATORE SEME MTR | SEED CONVEYOR | | | |
| 62 | F02100109 | SPINA E.P. 6X 24 U6873 C70 BR | PIN EL. .6 X24 DIN 1481 | FICHE EL. 6 X24 DIN 1481 | SPANNSTIFT 6 X24 DIN 1481 | CLAVIJA EL.6 X24 DIN 1481 |
| 63 | G15226550 | SPINA ZN | PIN ZN | | | |
| 64 | F02050112 | ANELLO E. DE 30X 1,5 U7435 C70 | SEEGER RING 30X 1,5 U7435 C70 | SEEGER E. 30 X 1,5 U7435 C70 | SEEGERING E. 30X 1,5 U7435 C70 | ANILLO E. 30 X 1,5 U7435 C70 |
| 65 | G15226570 | VITE REGOLAZIONE M16 X 225 ZN | ADJUSTING BOLT - GALVANIZED | VIS RÉGLAGE ZN | STELLSCHRAUBE ZN | TORNILLO REGULACIÓN ZN |
| 66 | GA5220820 | MOLLA REGOLABILE MTR | ADJUSTABLE MTR SPRING | | | |
| 67 | F01200324 | DADO M16X 2 U5588 8.8 ZN | NUT M16X2 U5588 8.8 ZN | ECROU M16X2 U5588 8.8 ZN | MUTTER M16X2 U5588 8.8 ZN | TUERCA M16X2 U5588 8.8 ZN |
| 68 | GA5221250 | | | | | |
| 69 | G19204620 | | | | | |
| 70 | F01020521 | VITE M12X1,75X65 U5739 8.8 ZN | BOLT M12X1.75X65 U5739 8.8 ZN | VIS M 12 X65 5739 8.G ZN | SCHRAUBE M 12 X65 5739 8.G ZN | TORNILLO M 12 X65 5739 8.G ZN |
| 71 | F01230059 | DADO M12X1,75 D982 8 ZN | NUT M12X1,75 D982 8 ZN | ECROU M12X1,75 D982 8 ZN | MUTTER M12X1,75 D982 8 ZN | TUERCA M12X1,75 D982 8 ZN |
| 72 | F01410076 | ROS.M12 13X 24X2,5 U6592 ZN | WASHER D12 U6592 ZN | RONDELLE D12 U6592 ZN | SCHEIBE D12 U6592 ZN | ARANDELA D12 U6592 ZN |
| 73 | G20980082 | BOCCOLA 18X7X12,25 | BUSHING 18X7X12-25 | | | |
| 74 | GA5221560 | | | | | |
| 75 | GA5221540 | | | | | |
| 76 | GA5221550 | | | | | |
| 77 | F02200562 | SPINA SICUR. D. 8X70 ZN | SNAP PIN D.8X 70 ZN | FICHE EL. D.8X70 ZN | SCHERSTIFT D.8X 70 ZN | CLAVIJA D.8X 70 ZN |

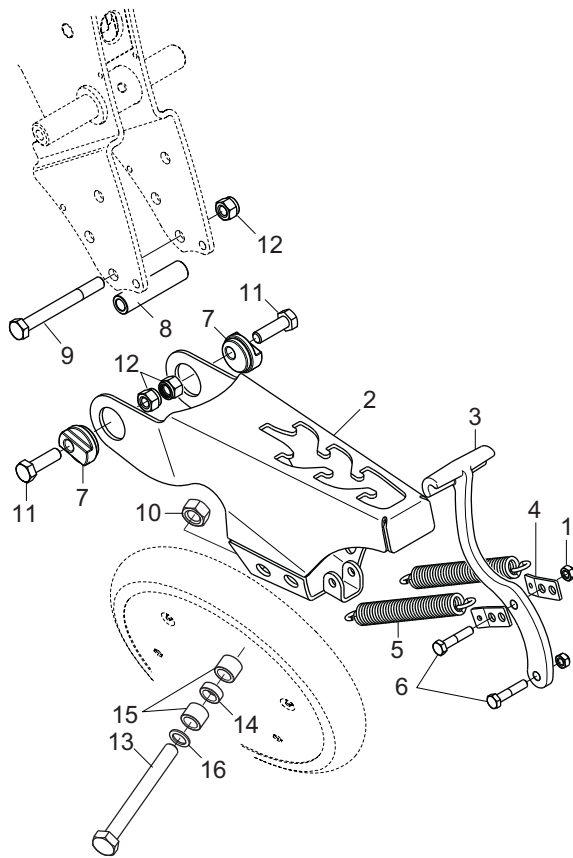
TAV. 151



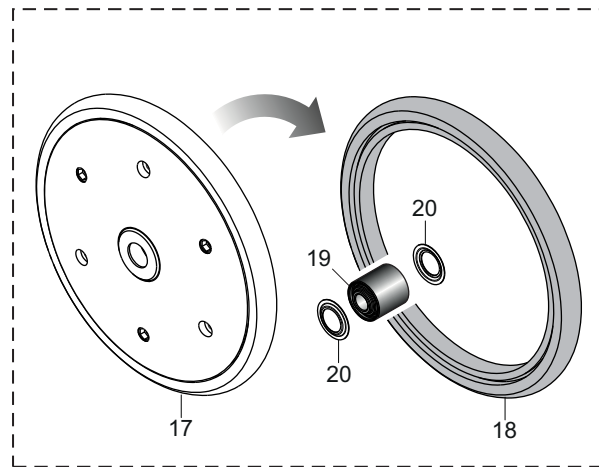
RUOTE DI PROFONDITÀ

TAV. 151

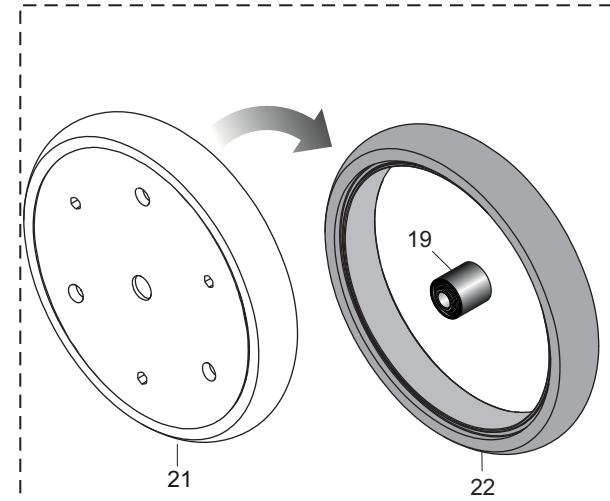
| Pos. | Cod. | Descrizione | Description | Description | Benennung | Descripcion |
|------|-----------|--------------------------------|--------------------------------|--------------------------------|---------------------------------|---------------------------------|
| 1 | G17722471 | DISCO ASSOLCATORE D.420 | DISC D.420 | | | |
| 2 | G17722492 | SUPPORTO CUSCINETTO DISCO ZN | BEARING DISK SUPPORT ZN | | | |
| 3 | F04010094 | CUSC.d20 D52 B22,2 3304 LLU | BEAR.D20 D52 B22,2 3304 LLU | | | |
| 4 | G17722482 | BOCCOLA 20 X30 X12,3 | BUSHING D20X30X12,3 | BOITE | BsCHSE | CASQUILLO |
| 5 | F02250521 | RIBATTINO TSC 6 X19,8 A/2 | RIVET TSC 6X19,8 A/2 BY PIECE | PAQUET RIVETS TSC 6X 19,8 A/2 | PACKUNG NIETEN TSC 6X19,8 A/2 | PAQU.REMACHES TSC 6X 19,8 A/2 |
| 6 | F02050381 | ANELLO E. DI 52X 2 U7437 C70 | SEEGER RING E. 52X 2 U7437 C70 | SEEGER E. 52X 2 U7437 C70 | SEEGERING E. 52X 2 U7437 C70 | ANILLO 52X 2 U7437 C70 |
| 7 | F03011159 | AN. TENUTA 30X47X7 AS | SEALING RING 30X47X7 | BAGUE D'ETANCHEITE 30X47X7 | DICHTUNGSRING 30X47X7 | ANILLO AISLADOR 30X47X7 |
| 8 | G17722811 | DADO M20X 2,5 SINISTRO ZN. | NUTS M20X1,5 LEFT GALV.ED | | | |
| 9 | F01200468 | DADO M20X 2,5 U5589 6.8 ZN | NUT 20 5589 6.8 GALVANISED * | ECROU 20 5589 5.8 ZN * | MUTTER 20 5589 6.8 ZN * | TUERCA 20 5589 6.8 ZN |
| 10 | F19203943 | TAGLIENTE INT.DISCHI | INTERNAL DISK COULTER | | | |
| 11 | F02100106 | SPINA E.P. 6X 20 U6873 C70 BR | ELASTIC PIN 6X20 | GOUJON 6X 20 | BOLZEN 6X 20 | ESPINA 6X 20 |
| 12 | GA5220050 | ASS.RASCHIATERRA VIDIA SX | ASS.SOIL-SCRAPER VIDIA LEFT | | | |
| 13 | GA5220310 | ASS.RASCHIATERRA VIDIA DX | ASS.SOIL-SCRAPER VIDIA RIGHT | | | |
| 14 | F15225861 | PROTEZIONE DISCHI | DISK PROTECTION | | | |
| 15 | G17722612 | MONT.DISCO ASSOLCATORE | RIDGING DISC ASSEMBLY | | | |
| 16 | F01020472 | VITE M10X1,5X25 U5739 8.8 ZN | BOLT 10X25 5739 8.G GALVANIZED | VIS 10X25 5739 8.G ZN | SCHRAUBE 10X25 5739 8.G ZN | TORNILLO 10X25 5739 8.G ZN |
| 17 | F01220033 | DADO M10X 1,5 D980 8 ZN | NUT M10X 1,5 D980 8 ZN | ECROU M10X 1,5 D980 8 ZN | MUTTER M10X 1,5 D980 8 ZN | TUERCA M10X 1,5 D980 8 ZN |
| 18 | GA5220270 | BRACCIO RUOTA SX | LEFT WHEEL ARM | | | |
| 19 | GA5220250 | BRACCIO RUOTA DX | ARM WHEEL RIGHT | | | |
| 20 | G17722830 | BOCCOLA ELEM.REGINA SINTERIZ. | | | | |
| 21 | F01100011 | ING.M 6X1 7663-A 9SMNPB28 ZN | GREASE NIPPLE M6X1 7663-A ZN | GRAISS. A BILLE M6X1 7663A ZN | SCHMIERBUECHE M6X1 7663-A ZN | ENGRAS. DE ESFERAS M6X1 7663-A |
| 22 | G17723000 | RASCHIATERRA DX | RIGHT SOILSCRAPER | | | |
| 23 | G17723080 | RASCHIATERRA SX | LEFT SOILSCRAPER | | | |
| 24 | G20970100 | RONDELLA 30X0,5X22 ACC. | WASHER 30X0-5X22 ACC. | RONDELLE 30X0-5X22 ACIER | UNTERLEGSSCHEIBE 30X0-5X22 ACC. | ARANDELA 30X0-5X22 ACC. |
| 25 | G20970025 | RONDELLA 25,2X2X16,5 | WASHER 25-2X2X16-5 | RONDELLE 25-2X2X16-5 | UNTERLEGSSCHEIBE 25-2X2X16-5 | ARANDELA 25-2X2X16-5 |
| 26 | GA5220170 | VITE M16X 2X80 SX U5737 8.8 ZN | SCREW M16X2X80LEFT U5737 8.8ZN | | | |
| 27 | G20970085 | RONDELLA 40X4X13 | WASHER 40X4X13 | RONDELLE 40X4X13 | UNTERLEGSSCHEIBE 40X4X13 | ARANDELA 40X4X13 |
| 28 | F05050022 | TAPPO PROTEZIONE D.58 H.16,5 > | GUARD CAP D.58 H.16,5 > | | | |
| 29 | G18701880 | RONDELLA DI SPINTA | IMPULSE WASHER | RONDELLE | UNTERLEGSSCHEIBE | ARANDELA |
| 30 | F01020047 | VITE M6X1X70 U5737 8.8 ZN | BOLT M6X 1X70 U5737 8.8 ZN | VIS 6 X70 5737 8.G ZN | SCHRAUBE 6 X70 5737 8.G ZN | TORNILLO 6 X70 5737 8.G ZN |
| 31 | GA5220960 | RASCHIATERRA SX L.65 | LEFT SOILSCRAPER L.65 | | | |
| 32 | F01410124 | ROS.M20 21X 37X 3 U6592 ZN | WASHER M20 21X37X3 U6592 ZN | RONDELLE M20 21X37X3 U6592 ZN | SCHEIBE M20 21X37X3 U6592 ZN | ARANDELA M20 21X37X3 U6592 ZN |
| 33 | F01230022 | DADO M 6X 1 D982 8 ZN | NORM.SELF-LOCKING NUT 6 GALVAN | ECROU AUTOB.NOR.6 ZN | SELBSTSP. MUTTER NOR.6 ZN | TUERCA AUTOB. NOR. 6 ZN |
| 34 | G18904540 | MOLLA TRAZIONE ZN | SPRING TENSION ZN | | | |
| 35 | F01060040 | VITE M8X1,25X20 U5732 4.6 ZG | BOLT M8X1,25X20 U5732 4.6 ZN | VIS M8X1,25X20 U5732 4.6 ZN | SCHRA. M8X1,25X20 U5732 4.6 ZN | TORN. M8X1,25X20 U5732 4.6 ZN |
| 36 | GA5220970 | RASCHIATERRA DX L.65 | RIGHT SOILSCRAPER L.65 | | | |
| 37 | F06120406 | RUOTA PROF.TAMB.MTR L115 M | DEPTH GAUGE WHEEL SM.CR.OFFS M | | | |
| 38 | F06120188 | COPERTURA RUOTA PROF.L115 M | WHEEL COVER PROF.L115 M | | | |
| 39 | F01440086 | ROS. 23X40X0,5 D988 ST2K60 BR | WASHER 23X40X0,5 D988 ST2K60 B | | | |
| 40 | F01410051 | ROS.M8 8,4X 17X1,6 U6592 ZN | WASHER M8 8,4X17X1,6 U6592 ZN | RONDEL. M8 8,4X17X1,6 U6592 ZN | SCHEIBE M8 8,4X17X1,6 U6592 ZN | ARANDELA M8 8,4X17X1,6 U6592 ZN |
| 41 | F01200244 | DADO M 8X1,25 U5588 6.8 ZN | NUT M8 X1,25 U5588 6.8 ZN | ECROU M8 X1,25 U5588 6.8 ZN | MUTTER M8 X1,25 U5588 6.8 ZN | TUERCA M8 X1,25 U5588 6.8 ZN |
| 42 | F04100150 | CUSC.D16 D40 B39 WPS | BEARING D16 D40 B39 WPS | | | |
| 43 | F01020510 | VITE M12X1,75X30 U5739 8.8 ZN | BOLT M 12X30 | VIS M 12X30 | SCHRAUBE M 12X30 | TORNILLO M 12X30 |
| 44 | F06120449 | RUOTA PROF.TAMB.MTR L115 I | DEPTH WHEEL MTR L115 | | | |
| 45 | F06120410 | RUOTA PROF.TAMB.MTR L65 M | DEPTH GAUGE WHEEL SM.CR.MT L65 | | | |
| 46 | F06120189 | COPERTURA RUOTA PROF.L65 M | TYRE FARMFLEX 400X65 | COUVERTURE FARMFLEX 400X65 | MANTEL FARMFLEX 400X65 | CUBIERTA FARMFLEX 400X65 |
| 47 | F01020262 | VITE M16X2X80 U5737 8.8 ZN | BOLT M16X2X80 U5737 8.8 ZN | VIS M16X2X80 U5737 8.8 ZN | SCHRAUBE M16X2X80 U5737 8.8 ZN | TORNILLO M16X2X80 U5737 8.8 ZN |
| 48 | GA5221180 | RASCHIATERRA INT.DX | RIGHT INNER SOILSCRAPER | | | |
| 49 | F01020436 | VITE M 8X1,25X 20 U5739 8.8 ZN | BOLT M8X1,25X20 U5739 8.8 ZN | VIS M8X1,25X20 U5739 8.8 ZN | SCHRA. M8X1,25X20 U5739 8.8 ZN | TORN. M8X1,25X20 U5739 8.8 ZN |
| 50 | GA5221160 | RASCHIATERRA INT.SX | LEFT INNER SOILSCRAPER | | | |



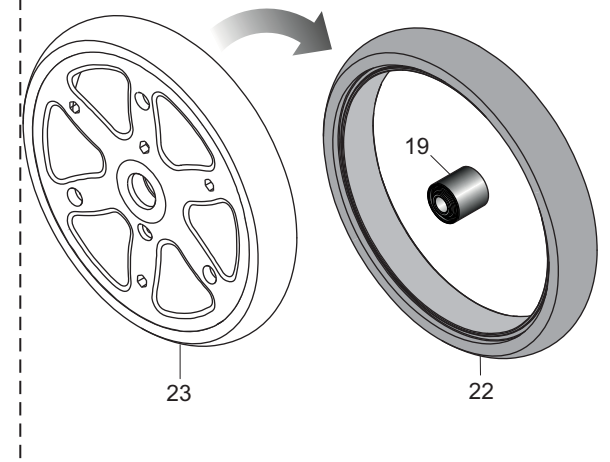
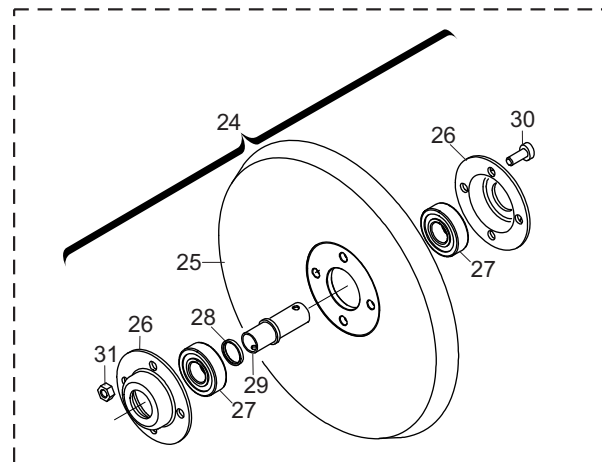
1" «V» SHAPED RUBBER PRESS WHEEL



2" «V» SHAPED RUBBER PRESS WHEEL



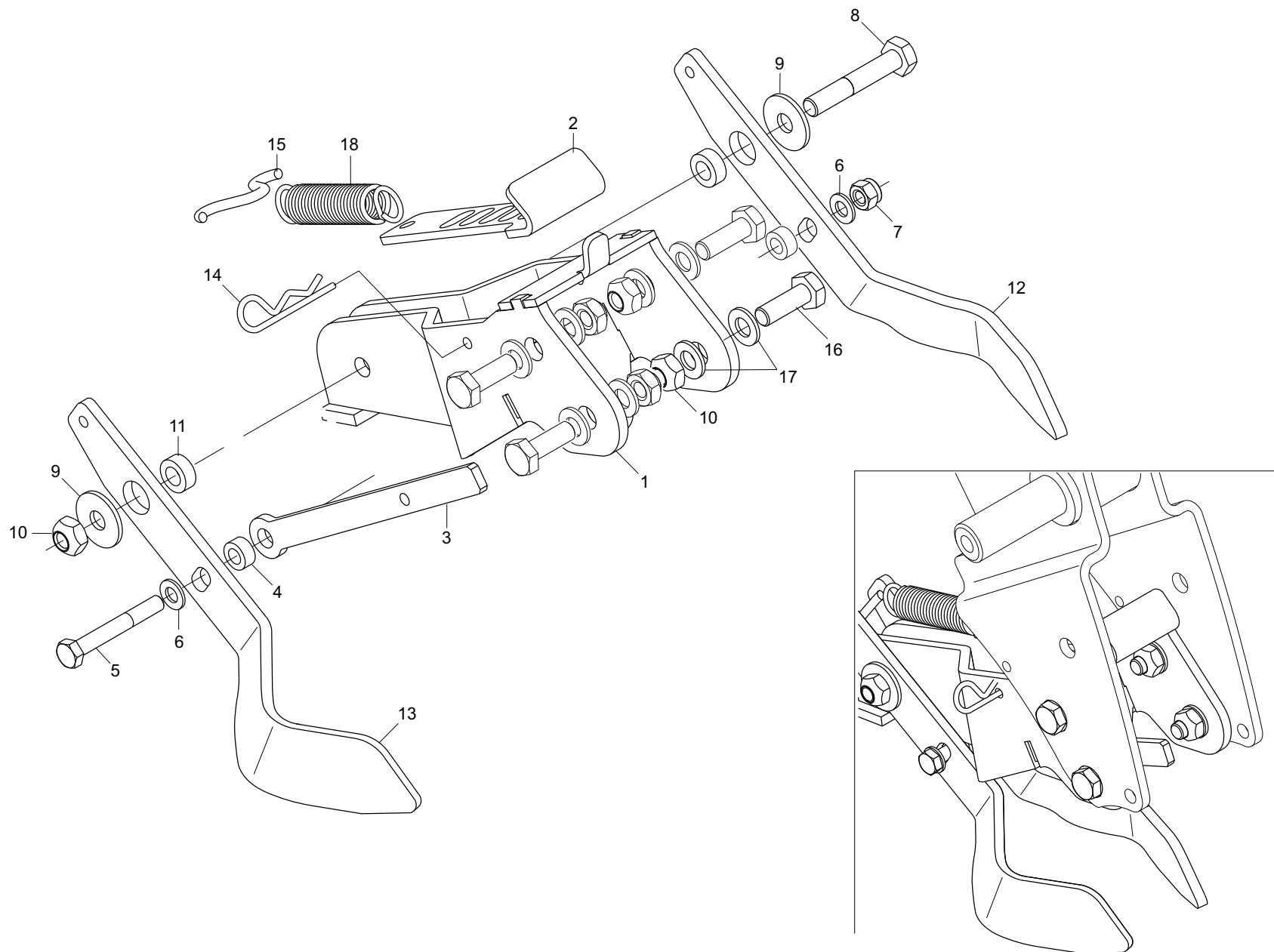
CAST IRON PRESS WHEEL



RUOTE DI COMPRESSIONE

TAV. 162

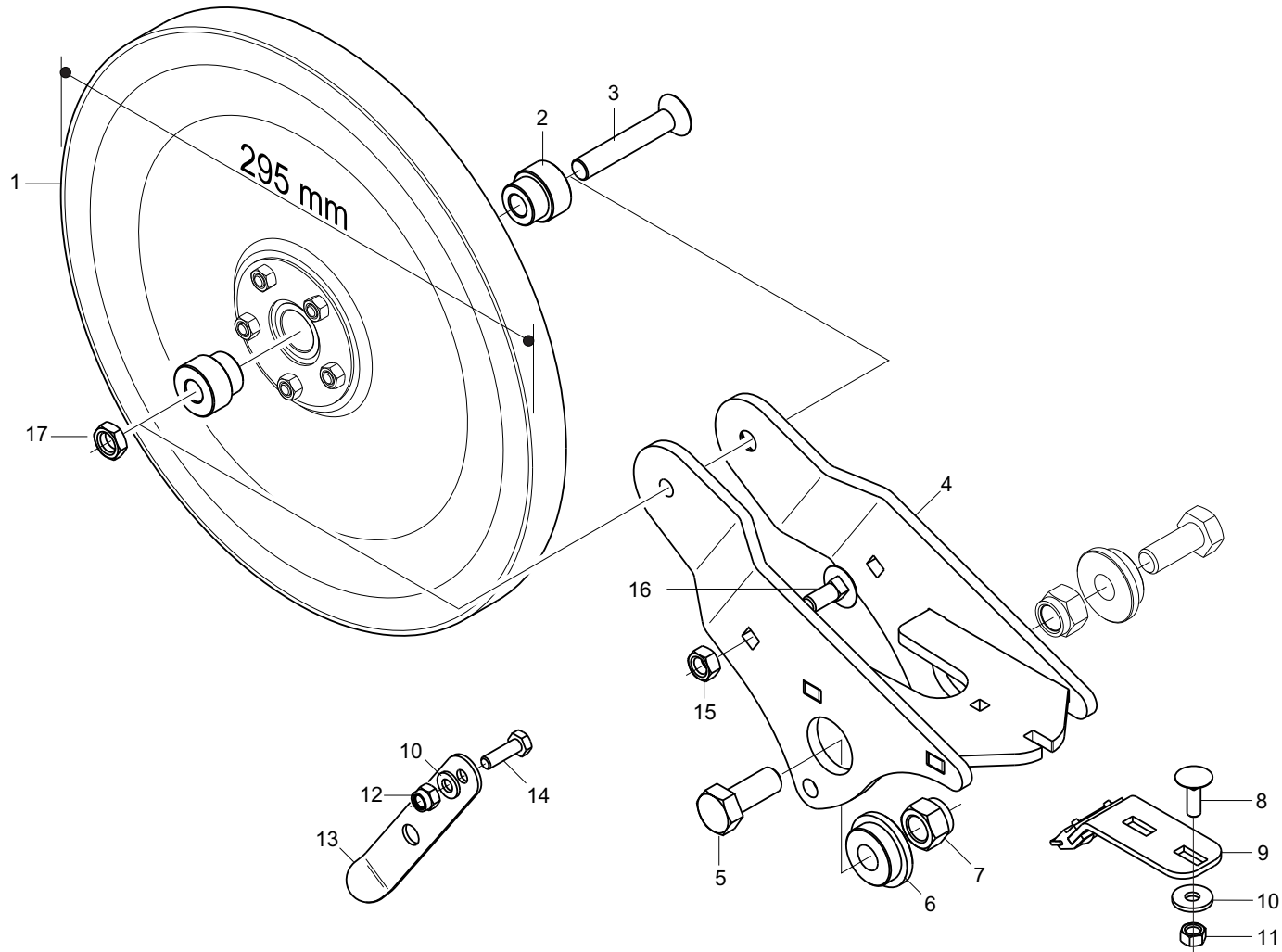
| Pos. | Cod. | Descrizione | Description | Description | Benennung | Descripcion |
|------|-----------|-------------------------------|--------------------------------|--------------------------------|--------------------------------|--------------------------------|
| 1 | F01220022 | DADO M 8X1,25 D980 8 ZN | NUT M8X 1,25 D980 8 ZN | ECROU M8X 1,25 D980 8 ZN | MUTTER M8X 1,25 D980 8 ZN | TUERCA M8X 1,25 D980 8 ZN |
| 2 | GA5220401 | CODINO | | | | |
| 3 | GA5220420 | MANIGLIA CODINO | | | | |
| 4 | G17722340 | ATTACCO MOLLA.ZN. | SPRING CONNECTION ZN | | | |
| 5 | G18904560 | MOLLA | SPRING | | | |
| 6 | F01020068 | VITE M 8X1,25X40 U5737 8.8 ZN | BOLT M8X1,25X40 U5737 8.8 ZN | VIS M 8X1,25X40 U5737 8.8 ZN | SCHRA. M8X1,25X40 U5737 8.8 ZN | TORNIL.M8X1,25X40 U5737 8.8 ZN |
| 7 | GA5220411 | BOCCOLA ECCENTRICA | BUSHING | | | |
| 8 | G18803081 | BOCCOLA 12,25X20 X85 ZN | BUSHING D12,25X20X84 ZN | | | |
| 9 | F01020174 | VITE M12X1,75X120 5737 8.8 ZN | SCREW M12X1,75X120 5737 8.8 ZN | VIS M12X1,75X120 U5737 8.8 ZN | SCHR.M12X1,75X120 U5737 8.8 ZN | TORN.M12X1,75X120 U5737 8.8 ZN |
| 10 | F01230085 | DADO M16X 2 D982 8 ZN | NUT M16X 2 D982 8 ZN | ECROU M16X 2 D982 8 ZN | MUTTER M16X 2 D982 8 ZN | TUERCA M16X 2 D982 8 ZN |
| 11 | F01020152 | VITE M12X1,75X 40 5737 8.8 ZN | TORN.M12X1,75X 40 U5737 8.8 ZN | | | |
| 12 | F01230059 | DADO M12X1,75 D982 8 ZN | NUT M12X1,75 D982 8 ZN | ECROU M12X1,75 D982 8 ZN | MUTTER M12X1,75 D982 8 ZN | TUERCA M12X1,75 D982 8 ZN |
| 13 | F01020266 | VITE M16X2X120 U5737 8.8 ZN | BOLT M16X 2X120 U5737 8.8 ZN | VIS M16X 2X120 U5737 8.8 ZN | SCHR.M16X 2X120 U5737 8.8 ZN | TORN.M16X 2X120 U5737 8.8 ZN |
| 14 | G20980004 | BOCCOLA 10X17,5X25 | BUSHING 10X17.5X25 | BOITE 10X17-5X25 | BsCHSE 10X17-5X25 | CASQUILLO 10X17-5X25 |
| 15 | G20980014 | BOCCOLA 16,5X16,5X25 | BUSHING 16-5X16-5X25 | BOITE 16-5X16-5X25 | BsCHSE 16-5X16-5X25 | CASQUILLO 16-5X16-5X25 |
| 16 | G20970025 | RONDELLA 25,2X2X16,5 | WASHER 25-2X2X16-5 | RONDELLE 25-2X2X16-5 | UNTERLEGSCHIEBE 25-2X2X16-5 | ARANDELA 25-2X2X16-5 |
| 17 | F06120412 | RUOTA GOMMA 1"X12" WPS C | RUBB.WHEEL 1"X12"BEARINGK098 | | | |
| 18 | F06120181 | ANELLO GOMMA 1"X12" M | RUBBER RING 1X12" | COUVERT FARMF ROUE COMPR 1"X12 | MANTEL FARMF.R.DRUCK .MT | CUBIERTA FARMF. R. COMPR. MT |
| 19 | F04100150 | CUSC.D16 D40 B39 WPS | BEARING D16 D40 B39 WPS | | | |
| 20 | F01440086 | ROS. 23X40X0,5 D988 ST2K60 BR | WASHER 23X40X0,5 D988 ST2K60 B | | | |
| 21 | F06120474 | | | | | |
| 22 | F06120165 | COPERTURA 2' X 13' | COVER 2' X 13' | | | |
| 23 | F06120408 | RUOTA GOMMA 2"X13" WPS R | RUBBER WHEEL 2"X13" WPS | | | |
| 24 | G15224790 | RUOTA GHISA POST.COMPL. | COMPL. REAR CAST IRON WHEEL | ROUE FONTE ARRI+RE COMPL+TE | HINTERES GUSSEISENRAD KOMPL. | RUEDA FUNDICIÉN TRAS.COMPL. |
| 25 | G15224800 | RUOTA POSTERIORE GS | REAR WHEEL | ROUE ARRIERE | HINTERRAD | RUEDA TRASERO |
| 26 | G16242190 | SUPPORTO CUSCINETTO | BEARING SUPPORT | SUPPORT PALIER | LAGERBsCHSE | SOPORTE COJINETE |
| 27 | F04010156 | CUSC.d20 D47 B14 6204 2RSH | BEARING d20 D47 B14 6204 2RSH | | | |
| 28 | G15224810 | BOCCOLA 20,5X25X3 | BUSH 20.5X25X3 | DOUILLE 20,5X25X3 | BUCHSE 20,5X25X3 | MANGUITO 20,5X25X3 |
| 29 | G15423850 | BOCCOLA RUOTA FERRO | STEEL WHEEL BUSH | DOUILLE ROUE FER | BÜCHSE EISENRAD | BUJE RUEDA DE HIERRO |
| 30 | F01040091 | VITE M 8X1,25X20 U5931 8.8 ZN | BOLT 8 X20 5931 8.G ZN | VIS 8 X20 5931 8.G ZN | SCHRAUBE 8 X20 5931 8.G ZN | TORNILLO 8 X20 5931 8.G ZN |
| 31 | F01220022 | DADO M 8X1,25 D980 8 ZN | NUT M8X 1,25 D980 8 ZN | ECROU M8X 1,25 D980 8 ZN | MUTTER M8X 1,25 D980 8 ZN | TUERCA M8X 1,25 D980 8 ZN |



COPRISEMI ANTERIORI

TAV. 171

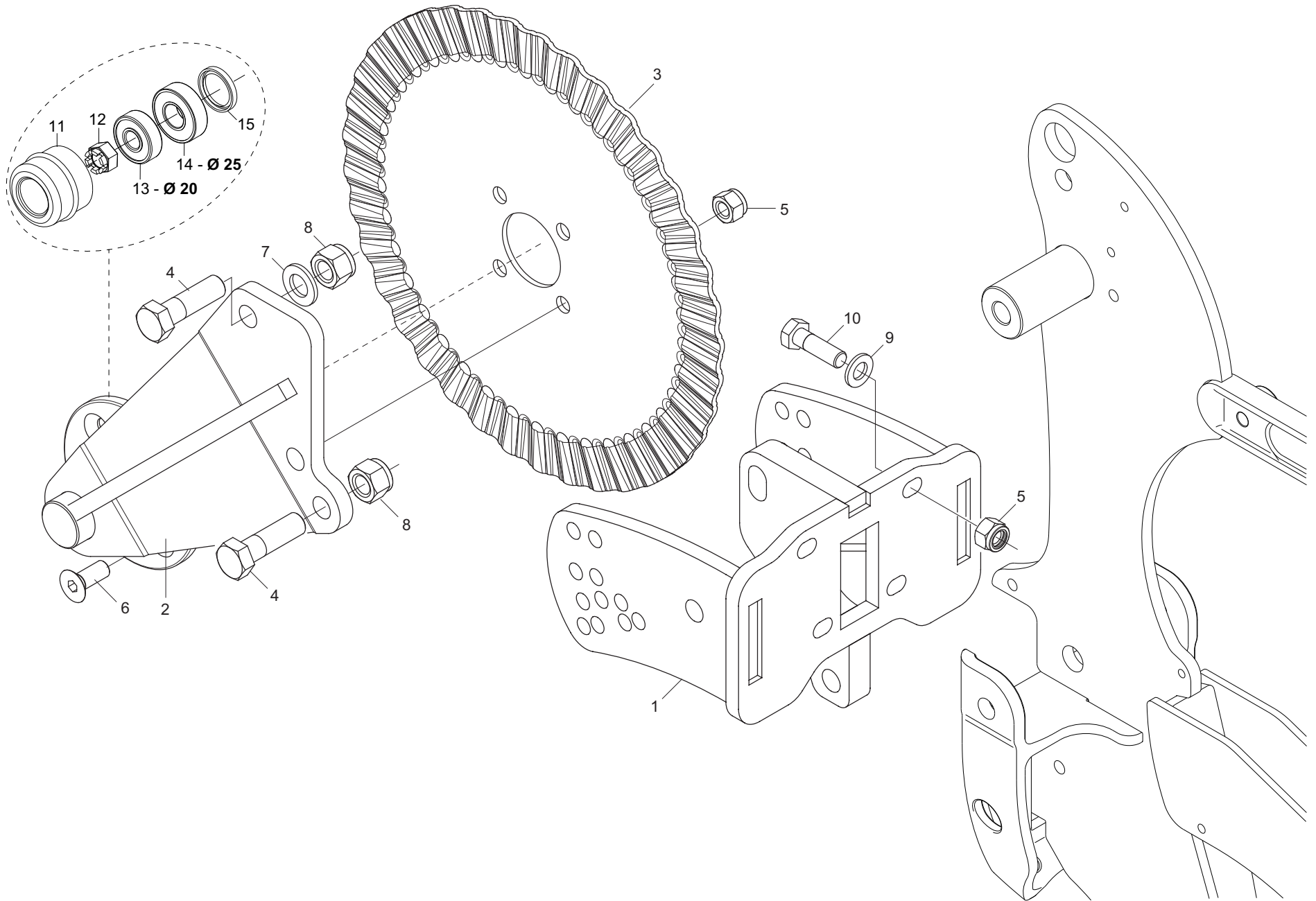
| Pos. | Cod. | Descrizione | Description | Description | Benennung | Descripcion |
|------|-----------|-------------------------------|--------------------------------|--------------------------------|--------------------------------|--------------------------------|
| 1 | GA5220880 | SUPPORTO COPRISEME | SEEDCOVER SUPPORT | | | |
| 2 | GA5221000 | PIATTO REGOLAZ.COMPRESSIONE | | | | |
| 3 | GA5220990 | ASTA FERMO CENTRALE | | | | |
| 4 | G20980050 | BOCCOLA 15X7X8,5 ZN | BUSHING 15X7X8-5 ZN | BOITE 15X7X8-5 ZN | BsCHSE 15X7X8-5 ZN | CASQUILLO 15X7X8-5 ZN |
| 5 | F01020077 | VITE M 8X1,25X60 U5737 8.8 ZN | BOLT M8X1,25X60 U5737 8.8 ZN | VIS M8X1,25X60 U5737 8.8 ZN | SCHRA. M8X1,25X60 U5737 8.8 ZN | TORN. M8X1,25X60 U5737 8.8 ZN |
| 6 | F01410051 | ROS.M8 8,4X 17X1,6 U6592 ZN | WASHER M8 8,4X17X1,6 U6592 ZN | RONDEL. M8 8,4X17X1,6 U6592 ZN | SCHEIBE M8 8,4X17X1,6 U6592 ZN | ARANDELA M8 8,4X17X1,6 U6592ZN |
| 7 | F01230034 | DADO M 8X1,25 D982 8 | SELF LOCK.NUT M8X1,25 D982 8ZN | ECROU AUTOBL.M8X1,25 D982 8 ZN | SELBST.MUTT.M8X1,25 D982 8 ZN | TUERCA AUTO. M8X1,25 D982 8 ZN |
| 8 | F01020118 | VITE M10X1,5X60 U5737 8.8 ZN | BOLT 10X60 5737 8.G GALVANIZED | VIS 10X60 5737 8.G ZN | SCHRAUBE 10X60 5737 8.G ZN | TORNILLO 10X60 5737 8.G ZN |
| 9 | F01420060 | ROS.M10 10,5X 30X2,5 U6593 ZN | WASHER 10,5X30 | RONDELLE 10,5X30 | SCHEIBE 10,5X30 | ARANDELA 10,5X30 |
| 10 | F01220048 | DADO M12X1,75 D980 8 ZN | NUT M12X1,75 D980 8 ZN | ECROU M12X1,75 D980 8 ZN | SCHEIBE M12X1,75 D980 8 ZN | TUERCA M12X1,75 D980 8 ZN |
| 11 | G20980022 | BOCCOLA 18X10,25X7 | BUSHING 18X10-25X7 | BOITE 18X10-25X7 | BsCHSE 18X10-25X7 | CASQUILLO 18X10-25X7 |
| 12 | GA5220890 | COPRISEME SX | LEFT SEED COVER | | | |
| 13 | GA5220900 | COPRISEME DX | RIGHT SEED COVER | | | |
| 14 | F02200363 | COPIGLIA R 3X 62 ZN | SPRING SPLIT PIN 3X 62 ZN | GOUPILLE R 3X62 | SPLINT R 3X62 | CHAVETA R 3X62 |
| 15 | G15224250 | FERMO MOLLA | SPRING STOP | ARRET RESSORT | FESTSTELLVORRICHTUNG FEDER | BLOQUEO MUELLE |
| 16 | F01020512 | VITE M12X1,75X35 U5739 8.8 ZN | BOLT M12X1,75X35 5739 8.8 ZN | VIS M12X1,75X35 5739 8.8 ZN | SCHR. M12X1,75X35 5739 8.8 ZN | TORN. M12X1,75X35 5739 8.8 ZN |
| 17 | F01410076 | ROS.M12 13X 24X2,5 U6592 ZN | WASHER D12 U6592 ZN | RONDELLE D12 U6592 ZN | SCHEIBE D12 U6592 ZN | ARANDELA D12 U6592 ZN |
| 18 | G65337005 | MOLLA TRAZ.CAMBIO SV | TRACTION COUPLING SPRING- GEAR | RESSORT TRACT.BOITE DE VITESSE | ZUGFEDER GETRIEBE SV | MUELLE TRAC. CAMBIO SV |



RUOTINO PREMISEME INOX

TAV. 181

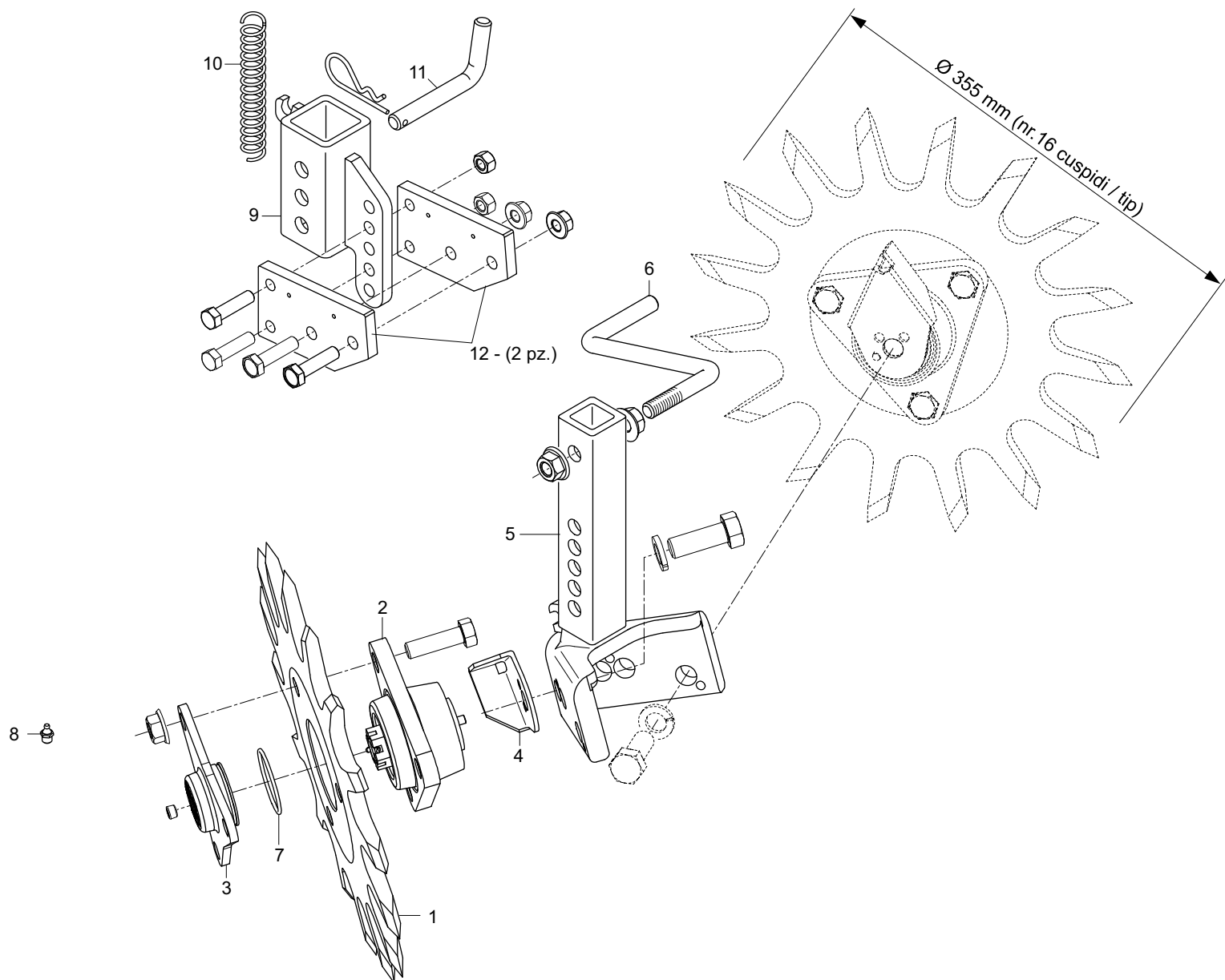
| Pos. | Cod. | Descrizione | Description | Description | Benennung | Descripcion |
|------|-----------|--------------------------------|--------------------------------|-------------------------------|--------------------------------|--------------------------------|
| 1 | G68150028 | RUOTINO COMPLETO D.295 IX | | | | |
| 2 | G17722940 | BOCCOLA ZN | BUSCHING | BOITE | BsCHSE | CASQUILLO |
| 3 | F01030516 | VITE M10X1,5X 60 U5933 10.9 ZD | BOLT 10X60 5933 8.8 GALVANIZ. | VIS 10X60 5933 8.8 ZD | SCHRAUBE 10X60 5933 8.8 ZN | TORNILLO 10X60 5933 8.8 ZD |
| 4 | G17722600 | SUPPORTO | SUPPORT | | | |
| 5 | F01020512 | VITE M12X1,75X35 U5739 8.8 ZN | BOLT M12X1,75X35 5739 8.8 ZN | VIS M12X1,75X35 5739 8.8 ZN | SCHR. M12X1,75X35 5739 8.8 ZN | TORN. M12X1,75X35 5739 8.8 ZN |
| 6 | G23440001 | BOCCOLA PARALLELOGRAMMA | BUSHING- PARALLELOGRAM | BOITE PARALLELOGRAMME | BsCHSE PARALLELOGRAMM | CASQUILLO PARALELOGRAMA |
| 7 | F01230059 | DADO M12X1,75 D982 8 ZN | NUT M12X1,75 D982 8 ZN | ECROU M12X1,75 D982 8 ZN | MUTTER M12X1,75 D982 8 ZN | TUERCA M12X1,75 D982 8 ZN |
| 8 | F01060013 | VITE M6X1X20 U5732 4.6 ZN | BOLT 6X20 5732 4.6 GALVANIZED | VIS 6X20 5732 4.6 ZN | SCHRAUBE 6X20 5732 4.6 ZN | TORNILLO 6X20 5732 4.6 ZN |
| 9 | G17722950 | RASCHIATERRA RUOTINI IX D300 | WHEEL SOILSCRAPER IX D300 | | | |
| 10 | F01420036 | ROS.M6 6,4X 18X 2 U6593 ZN | FLAT WASHER 6-6X 18X2 6593 ZN | ROND. PLATE 6-6X 18X2 6593 ZN | SCHEIBE 6-6X 18X2 6593 ZN | ARAND. PLANA 6-6X 18X2 6593 ZN |
| 11 | F01200232 | DADO M 6X 1 U5588 6.8 ZN | NUT 6 UNI 5588 6.8 GALVANIZED | ECROU 6 UNI 5588 6.8 ZN | MUTTER 6 UNI 5588 6.8 ZN | TUERCA 6 UNI 5588 6.8 ZN |
| 12 | F01230022 | DADO M 6X 1 D982 8 ZN | NORM.SELF-LOCKING NUT 6 GALVAN | ECROU AUTOB.NOR.6 ZN | SELBSTSP. MUTTER NOR.6 ZN | TUERCA AUTOB. NOR. 6 ZN |
| 13 | G17722970 | LAMA ESCLUSIONE RUOTINO ZN | | | | |
| 14 | F01020404 | VITE M6X1X20 U5739 8.8 ZN | BOLT M 6X 1X20 U5739 8.8 ZN | VIS M 6X20 | SCHRAUBE M 6X20 | TORNILLO M 6X20 |
| 15 | F01200244 | DADO M 8X1,25 U5588 6.8 ZN | NUT M8 X1,25 U5588 6.8 ZN | ECROU M8 X1,25 U5588 6.8 ZN | MUTTER M8 X1,25 U5588 6.8 ZN | TUERCA M8 X1,25 U5588 6.8 ZN |
| 16 | F01060040 | VITE M8X1,25X20 U5732 4.6 ZG | BOLT M8X1,25X20 U5732 4.6 ZN | VIS M8X1,25X20 U5732 4.6 ZN | SCHRA. M8X1,25X20 U5732 4.6 ZN | TORN. M8X1,25X20 U5732 4.6 ZN |



COLTRO A DISCO STRIATO

TAV. 191

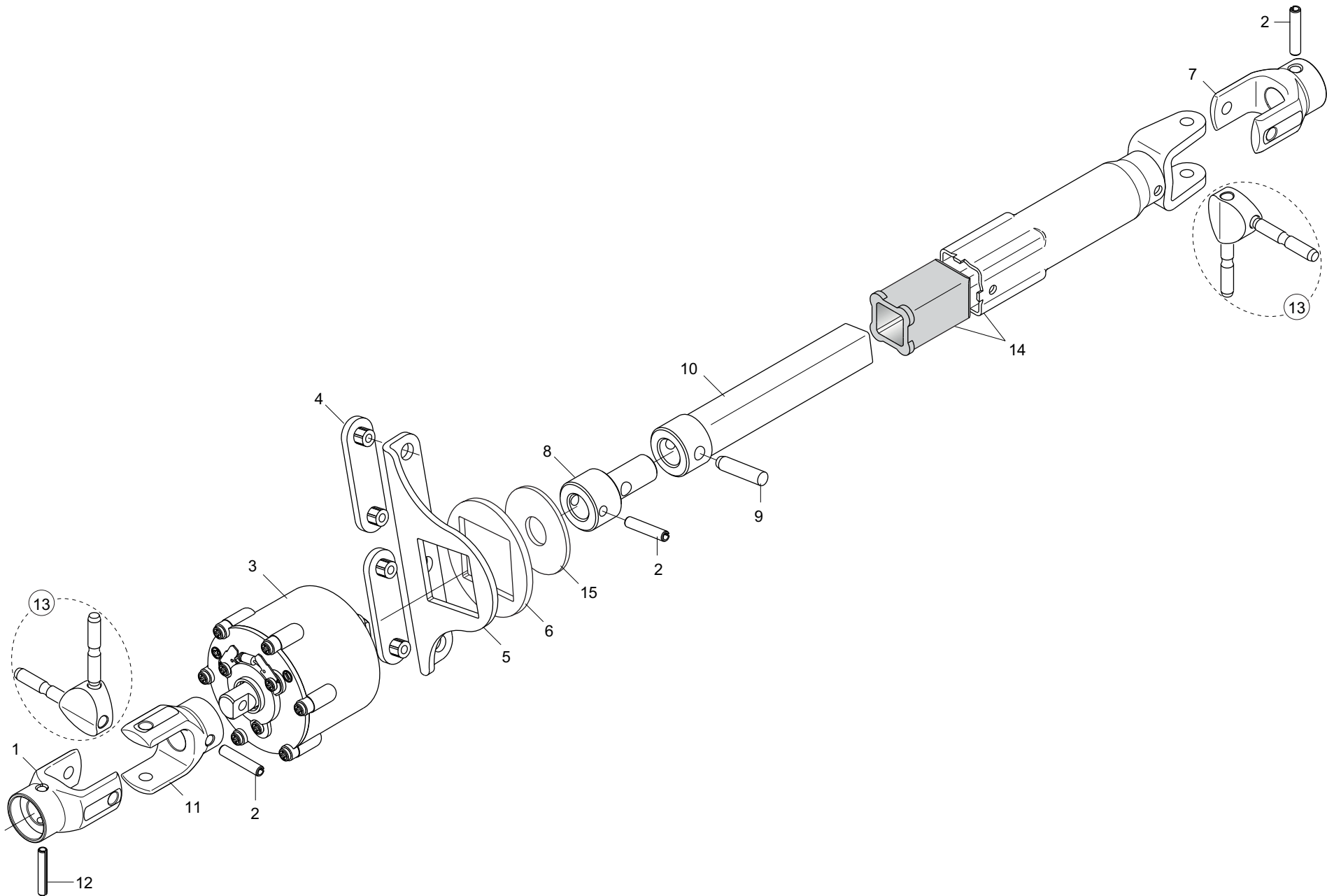
| Pos. | Cod. | Descrizione | Description | Description | Benennung | Descripcion |
|------|-----------|--------------------------------|--------------------------------|-------------------------------|--------------------------------|-------------------------------|
| 1 | GA5220650 | SUPPORTO SPARTIRESIDUI | | | | |
| 2 | GA5220660 | BRACCIO DISCO APRI SOLCO | FURROWER DISC ARM | | | |
| 3 | GA5220130 | DISCO STRIATO D.355 | STRIPED DISK D.355 | BRAS DISQUE OUVRE-TRACES | SCHEIBENARM SCHAR | BRAZO DISCO AB.SURC. |
| 4 | F01020254 | VITE M16X2X55 U5737 10.9 ZD | BOLT M16X2X55 U5737 10.9 ZD | | | |
| 5 | F01230059 | DADO M12X1,75 D982 8 ZN | NUT M12X1,75 D982 8 ZN | ECROU M12X1,75 D982 8 ZN | MUTTER M12X1,75 D982 8 ZN | TUERCA M12X1,75 D982 8 ZN |
| 6 | F01030107 | VITE M12X1,75X30 U5933 10.9 ZD | BOLT M12X1,75X30 U5933 10.9 ZN | VIS M12X1,75X30 5933 10.9 ZN | SCHR.M12X1,75X30 U5933 10.9 ZN | TORN.M12X1,75X30 5933 10.9 ZN |
| 7 | F01410100 | ROS.M16 17X 30X 3 U6592 ZN | WASHER M16 17X30X3 U6592 ZN | RONDELLE M16 17X30X3 U6592 ZN | SCHEIBE M16 17X30X3 U6592 ZN | ARANDELA M16 17X30X3 U6592 ZN |
| 8 | F01230085 | DADO M16X 2 D982 8 ZN | NUT M16X 2 D982 8 ZN | ECROU M16X 2 D982 8 ZN | MUTTER M16X 2 D982 8 ZN | TUERCA M16X 2 D982 8 ZN |
| 9 | F01410076 | ROS.M12 13X 24X2,5 U6592 ZN | WASHER D12 U6592 ZN | RONDELLE D12 U6592 ZN | SCHEIBE D12 U6592 ZN | ARANDELA D12 U6592 ZN |
| 10 | F01020152 | VITE M12X1,75X 40 5737 8.8 ZN | TORN.M12X1,75X 40 U5737 8.8 ZN | | | |
| 11 | F06120239 | TAPPO MOZZO SX DP | LEFT HUB PLUG DP | BOUCHON MOYEU DP A VISSER GCH | NABENPFROPFEN LI DP | TAPÓN CUBO IZQ. DP |
| 12 | F01210091 | DADO M18X 1,5 U5594 5.8 BR | NUT M18X 2.5 U5594 5.8 BR | | | |
| 13 | F04050011 | CUSC.D20 D47 T15,25 30204 | BEARING D20 D47 T15,25 30204 | PALIER 30204 | LAGER 30204 | COJINETE 30204 |
| 14 | F04050012 | CUSC.D25 D52 T19,25 30205 | BEARING D25 D52 T19,25 30205 | ROULEMENT 30205 | LAGER 30205 | COJINETE 30205 |
| 15 | F03010061 | ANELLO T.A. 30X 52X 7 D3760NBR | OIL SEAL 30X52X7 | PARE-HUILE 30X52X7 | OELABDICHTUNG 30X52X7 | PARA-ACEITE 30X52X7 |



TRASH WHEEL - SPARTIRESIDUI ROTATIVO

TAV. 220

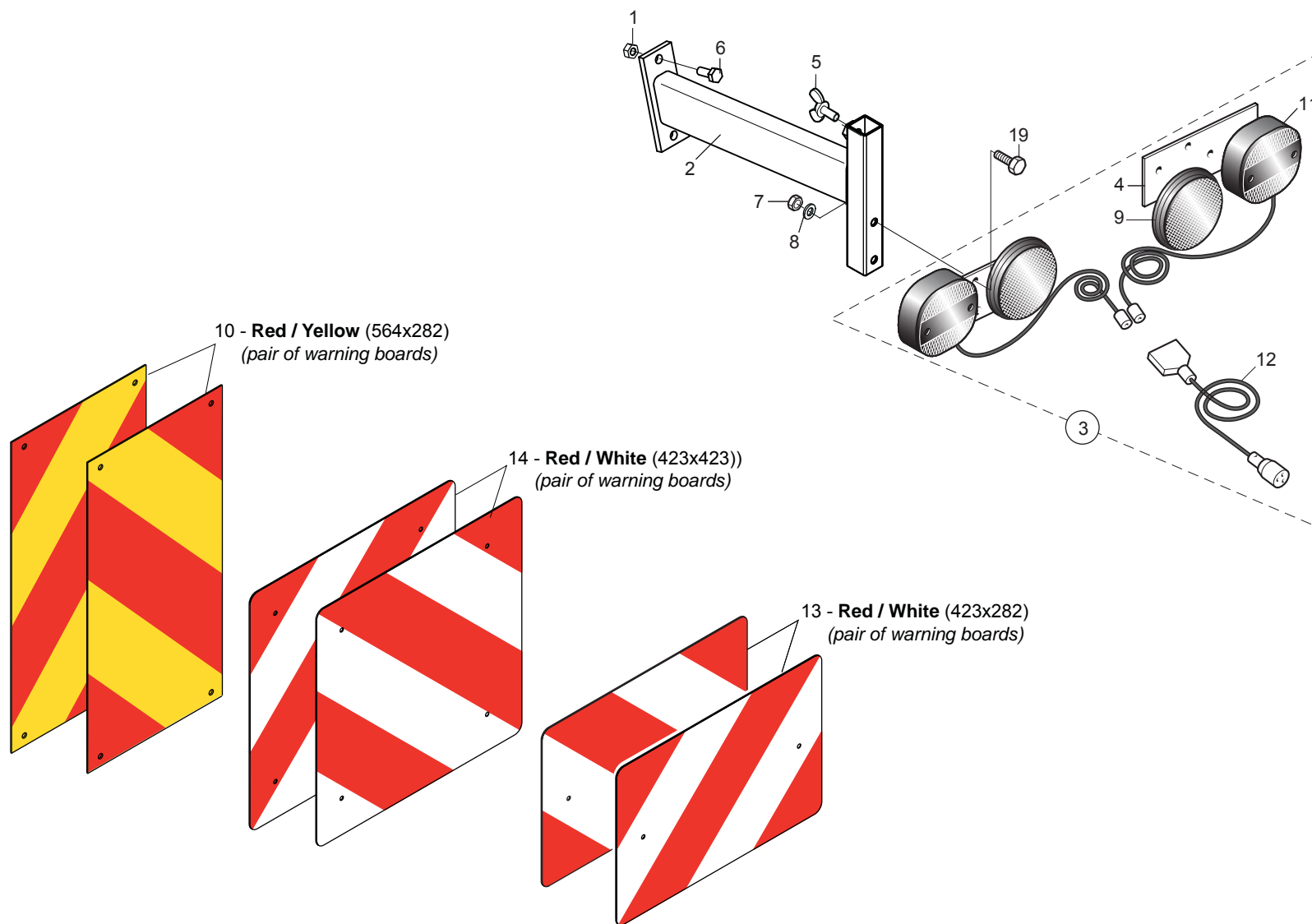
| Pos. | Cod. | Descrizione | Description | Description | Benennung | Descripcion |
|------|-----------|-------------------------------|-------------------------------|-------------|-----------|-------------|
| 1 | G68008004 | DISCO STELLARE | | | | |
| 2 | G68008006 | MOZZO CON CUSCINETTO | HUB WITH BEARING | | | |
| 3 | G68008015 | TAPPO MOZZO | HUB PLUG | | | |
| 4 | G68008003 | PROTEZIONE MOZZO | | | | |
| 5 | G68008005 | SUPPORTO DISCHI | DISKS SUPPORT | | | |
| 6 | G68008007 | MANIGLIA | HANDLE | | | |
| 7 | G68008014 | O-RING 1,78X44,17 (2175) | O-RING 1,78X44,17 (2175) | | | |
| 8 | G68008013 | INGRASSATORE 1/8 GAS (=M10X1) | GREASE NIPPLE 1/8 GAS(=M10X1) | | | |
| 9 | G68008008 | SUPPORTO | SUPPORT | | | |
| 10 | G68008009 | MOLLA | SPRING | | | |
| 11 | G68008010 | CHIAVISTELLO | | | | |
| 12 | G68008011 | PIATTO ATTACCO | | | | |



ESCLUSIONE ELETTRICA FILE DI SEMINA

TAV. 201

| Pos. | Cod. | Descrizione | Description | Description | Benennung | Descripcion |
|------|-----------|--------------------------------|------------------------------|--------------------------------|------------------------------|-----------------------------|
| 1 | G19204060 | FORCELLA | FORK | | | |
| 2 | F02100114 | SPINA E.P. 6X 30 U6873 C70 BR | ELASTIC PIN 6X30 | GOUJON ELASTIQUE 6X30 | SPANNHUELSE 6X30 | ESPINA ELASTICA 6X30 |
| 3 | G16033703 | DISINNESTO ELETTRICO MBN | ELECTRICAL DISCONNECTION MBN | | | |
| 4 | G19003471 | PATTINO DI SCORRIMENTO | SLIDING SIDE BLOCK | | | |
| 5 | GA5220521 | LAMIERA FERMO ROTAZIONE ZN | LOCK ROTATION | | | |
| 6 | G16033740 | DISTANZIALE DISINNESTO ELET.ZN | UNCOUPLING ELECTRIC SPACER | ENTRETOISE DEBRAYAGE +LECT. | DISTANZST_CK AUSKUPPLUNG EL. | DISTANCIADOR DESCONEXIN EL. |
| 7 | G19204080 | FORCELLA | FORK | | | |
| 8 | GA5220490 | PERNO ZN | PIN ZN | | | |
| 9 | G66248057 | SPINA DI SICUREZZA SP | SAFETY PIN SP | BROCHE PLASTIC SECURITE CARDAN | SICHERHEITSSTIFT SP | CLAVIJA DE SEGURIDAD SP |
| 10 | GA5220480 | INNESTO | CLUTCH | | | |
| 11 | GA5220500 | CROCIERA CARDANICA | | | | |
| 12 | F02100087 | SPINA E.P. 5X 30 U6873 C70 BR | PIN EL. 5 X30 DIN 1481 | FICHE EL. 5 X30 DIN 1481 | SPANNSTIFT 5 X30 DIN 1481 | CLAVIJA EL.5 X30 DIN 1481 |
| 13 | G22270454 | CROCIERA COMPL. SP/S | SPIDER SP/S | CROSILLON COMPL CARDAN TRANSM | GELENKKREUZ KOMPL. SP/S | CRUCETA COMPL. SP/S |
| 14 | GA5220450 | TUBO INNESTO CON FORCELLA | HOSE CONNECTION WITH FORK | | | |
| 15 | G18701970 | RONDELLA 16X48X2,5 | WASHER 16X48X2,5 | RONDELLE 16X48X2,5 | UNTERLEGSSCHEIBE 16X48X2,5 | ARANDELA 16X48X2,5 |



ACCESSORI

TAV. 211

| Pos. | Cod. | Descrizione | Description | Description | Benennung | Descripcion |
|------|-----------|--------------------------------|--------------------------------|--------------------------------|-------------------------------|-------------------------------|
| 1 | F01200232 | DADO M 6X 1 U5588 6.8 ZN | NUT 6 UNI 5588 6.8 GALVANIZED | ECROU 6 UNI 5588 6.8 ZN | MUTTER 6 UNI 5588 6.8 ZN | TUERCA 6 UNI 5588 6.8 ZN |
| 2 | G15211760 | SUPPORTO LUCI POST. | LIGHTS SUPPORT | SUPPORT ECLAIRAGE | LICHTERHALTERUNG | SOPORTE LUCES |
| 3 | G13616620 | KIT LUCI PER MACCHINE PORTATE | | | | |
| 4 | G13616570 | PIASTRA SUPP.LUCI | LIGHTS PLATE SUPPORT | | | |
| 5 | F01090215 | VITE M 8X1,25X15 U5449 5.8 ZN | BOLT 8X15 UNI 5449 5.8 GALVANI | VIS 8X15 UNI 5449 5.8 ZN | SCHRAUBE 8X15 UNI 5449 5.8 ZN | TORNILLO 8X15 UNI 5449 5.8 ZN |
| 6 | F01020403 | VITE M6X1X16 U5739 8.8 ZN | BOLT M6X1X16 U5739 8.8 ZN | VIS M6X1X16 U5739 8.8 ZN | SCHRAUBE M6X1X16 U5739 8.8 ZN | TORNILLO M6X1X16 U5739 8.8 ZN |
| 7 | F01220011 | DADO M 6X 1 D980 8 ZN | NUT M6X1 D980 8 ZN | ECROU M6X1 D980 8 ZN | MUTTER M6X1 D980 8 ZN | TUERCA M6X1 D980 8 ZN |
| 8 | F01410037 | ROS.M6 6,4X12,5X1,6 U6592 ZN | PLANE WASHER D.6 | RONDELLE D.6 | SCHEIBE D.6 | ARANDELA D.6 |
| 9 | F05010221 | CATARIFRANGENTE TONDO D.80 > | ROUND REFLECTOR D.80 | | | |
| 10 | F05010357 | N.2 PANNELLI CARICHI SPORGENTI | N.2 JUTTING LOAD PANELS | N.2 PANNEAUX CHARGES SAILLANT | N.2 TAFELN VORSRINGENDE LADUN | 2 PANELES CARGADOS SALIENTES |
| 11 | F05010076 | FANALE X KIT LUCI | LAMP KIT LIGHTS COMPL. | FEU KIT ECLAIRAGE COMPL. | LAMPEN KIT LICHT KOMPL. | FAROL SET LUCES COMPL. |
| 12 | F05010080 | CABLAGGIO PER KIT LUCI | LIGHT WIRING HARNESS | CABLAGE KIT PHARES | VERKABELUNG LAMPENKIT | CABLEADO JUEGO LUCES |
| 13 | F05010591 | PANNELLI CAR.SPORG.423X282 | WARNING BOARD 423X282 | PANNEAUX REFLECHISSANT 423X282 | WARNTAFEL 423X282 | ADVERTENCIA BORDO 423X282 |
| 14 | F05010590 | PANNELLI CAR.SPORG.423X423 | REFLECT PANELS 423X423 | | | |

**USATE SEMPRE RICAMBI ORIGINALI
ALWAYS USE ORIGINAL SPARE PARTS
IMMER DIE ORIGINAL-ERSATZTEILE VERWENDEN
EMPLOYEZ TOUJOURS LES PIECES DE RECHANGE ORIGINALES
UTILIZAR SIEMPRE REPUESTOS ORIGINALES**

GASPARDO

**Servizio Assistenza Tecnica - After Sales Service
Servizio Ricambi - Spare Parts Service
+39 0434 695410**

DEALER:



G19531211



MASCHIO GASPARDO SpA
Registered Office and Production Plant
Via Marcello, 73 - 35011 Campodarsego (Padova) - Italy
Tel. +39 049 9289810
Fax +39 049 9289900
info@maschio.com
www.maschionet.com

MASCHIO DEUTSCHLAND GMBH
Äußere Nürnberger Straße 5
D - 91177 Thalmässing - Deutschland
Tel. +49 (0) 9173 79000
Fax +49 (0) 9173 790079
dialog@maschio.de
www.maschionet.de

MASCHIO FRANCE Sarl
1, Rue de Mérignan ZA
F - 45240 La Ferte St. Aubin
France
Tel. +33 (0) 2.38.64.12.12
Fax +33 (0) 2.38.64.66.79
info@maschio.fr

000 МАСКИО-ГАСПАРДО РУССИЯ
Улица Пушкина, 117 Б
404126 Волжский
Волгоградская область
Тел. +7 8443 515152
факс. +7 8443 515153
info@maschio.ru

MASCHIO GASPARDO SpA
Production Plant
Via Mussons, 7 - 33075 Morsano al Tagliamento (PN) - Italy
Tel. +39 0434 695410
Fax +39 0434 695425
info@gaspardo.it

MASCHIO-GASPARDO USA Inc
120 North Scott Park Road
Eldridge, IA 52748 - USA
Ph. +1 563 2859937
Fax +1 563 2859938
info@maschio.us

MASCHIO-GASPARDO ROMANIA S.R.L.
Strada Înfrâtririi, F.N.
315100 Chisineu-Cris (Arad) -România
Tel. +40 257 307030
Fax +40 257 307040
info@maschio.ro

MASCHIO IBERICA S.L.
MASCHIO-GASPARDO POLAND
MASCHIO-GASPARDO UCRAINA
GASPARDO-MASCHIO TURCHIA
MASCHIO-GASPARDO CINA
MASCHIO-GASPARDO INDIA
MASCHIO-GASPARDO KOREA