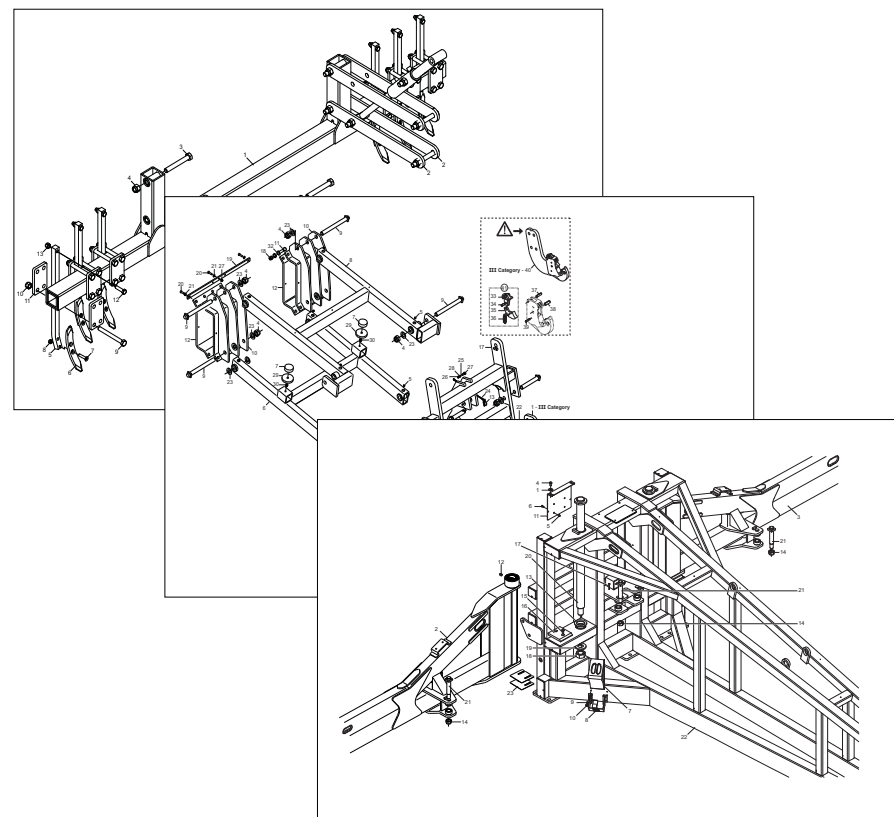


# MASCHIO

# GASPARDO



# METRO

**Cod: R19530152 2013-12**

- \*) Valido per Paesi UE
- \*) Valid for EU member countries
- \*) Gilt für EU-Mitgliedsländer
- \*) Valable dans le Pays UE
- \*) Válido para Países UE
- \*) Valabil pentru țările UE

- IT** PARTI DI RICAMBIO
- EN** SPARE PARTS
- DE** ERSATZTEILE
- FR** PIÈCES DÉTACHÉES
- ES** PIEZAS DE REPUESTO
- RO** PIESE DE SCHIMB

## PARTI DI RICAMBIO

Le ordinazioni delle parti di ricambio vanno fatte presso i nostri concessionari di zona e devono essere sempre corredate dalle seguenti indicazioni:

- **Tipo, modello e numero di matricola dell'attrezzatura.** Tali dati sono stampigliati nell'apposita targhetta di cui è dotata ogni attrezzatura.
- **Numero di codice della parte richiesta** rilevabile dal catalogo ricambi.
- **Descrizione del particolare e quantità richiesta.**
- **Numero della tavola.**
- **Mezzo di trasporto.** Nel caso questa voce non sia specificata, la Ditta Costruttrice, pur dedicando a questo servizio una particolare cura, non risponde di eventuali ritardi di spedizione dovuti a cause di forza maggiore.

Le spese di trasporto si intendono sempre a carico del destinatario. La merce viaggia a rischio e pericolo del committente anche se venduta franco destino.

**NOTA:** Il termine **(Dx) Destro** o **(Sx) Sinistro** della macchina o di parti di essa, è inteso guardando la macchina dalla parte posteriore. Le eccezioni saranno indicate.

## SPARE PARTS

Orders must be transmitted through our area dealers and should always include the following indications:

- **Type, model and serial number of the machine.** These data are punched on the data plate with which every implement is equipped.
- **Code number of the required spare part.** This will be found in the spare parts catalogue.
- **Description of the part and required quantity.**
- **Table number.**
- **Means of dispatch.** If this item is not indicated, the Manufacturer, while dedicating particular care to this service, shall not be held responsible for delays in delivery caused by cases of force majeure.

Transport expenses shall always be at the consignee's charge. The goods travel at the purchaser's risk and peril even when sold ex destination.

**NOTE:** The symbols **(Dx) right** and **(Sx) left**, concerning the machine or single parts of it, are referred, as in the figure, to a rear view of them. Exceptions will be indicated.

## ERSATZTEILE

Die Bestellungen müssen bei unseren Gebietshändler angegeben werden. Bei der Bestellung sind stets die folgenden Angaben zu machen:

- **Typ, Modell und Serien-Nummer des Geräts.** Diese Daten stehen auf dem Typenschild, mit dem jedes Gerät versehen ist.
- **Artikel Nr. der erforderlichen Ersatzteile.** Diese stehen im Ersatzteil-Katalog.
- **Beschreibung des Ersatzteils und die erforderliche Stückzahl.**
- **Tafelnummer.**
- **Versandmittel.** Wenn dieser Punkt nicht spezifiziert wird, haftet die Herstellerfirma nicht für etwaigen Lieferverzögerung aufgrund höherer Gewalt, auch wenn er diesen Service besonders aufmerksam abwickelt.

Die Frachtkosten gehen dagegen immer zu Lasten des Empfängers. Die Ware reist auf Gefahr und Risiko des Auftraggebers, auch wenn frei Haus verkauft vereinbart worden ist.

**N.B.:** Die Merkzeichen **(Dx) rechts** und **(Sx) links** betreffen eine rückwärtige Aussicht der Maschine oder Teile von ihr (siehe Bild). Ausnahmen werden gezeigt.

## PIECES DÉTACHÉES

Les ordres doivent être effectués auprès de nos concessionnaires de zone en précisant les indications suivantes:

- **Type, modèle et numéro de série de la machine.** Ces données sont gravées sur la plaque d'identification de chaque outil.
- **Numéro de code de la pièce détachée** indiqué sur le catalogue des pièces détachées.
- **Description de la pièce et quantité requise.**
- **Numéro de plan.**
- **Moyen d'expédition.** Si cette rubrique n'est pas indiquée, le Constructeur, bien que soucieux de ce service, ne répond pas des retards d'expédition pour des causes de force majeure. Les frais de transport sont toujours à la charge du destinataire. La marchandise voyage aux risques et périls de l'acheteur même si vendue franco de port.

**N.B.:** Les références **(Dx) droit** et **(Sx) gauche** de la machine ou des parties de la même, est entendue, comme de la figure, en regardant la machine de derrière dans le sens de marche.

## RESPUESTOS

Los pedidos han de efectuarse en nuestros concesionarios de zona y deben incluir siempre las siguientes indicaciones:

- **Tipo, modelo y número de matrícula del equipo.** Dichos datos están impresos en la relativa placa presente en el equipo.
- **Número de código de la parte requerida** presente en el catálogo respuestas.
- **Descripción de la pieza y cantidad requerida.**
- **Numero de ilustración.**
- **Medio de transporte.** En caso que este ítem no esté especificado, el Fabricante, aún prestando la debidas consideraciones para este aspecto, no responde por eventuales retardos de env'o debidos a causas de fuerza mayor.

Los gastos de transporte se consideran siempre a cargo del destinatario. La mercadería viaja bajo riesgo y peligro del comprador, incluso cuando se vende franco destino.

**N.B.:** La referencia **(Dx) derecha** o **(Sx) izquierda** de la máquina o de sus componentes, se entien-de, como en la figura, mirando la máquina por la parte trasera. Se indicarán las excepciones.

## PIESE DE SCHIMB

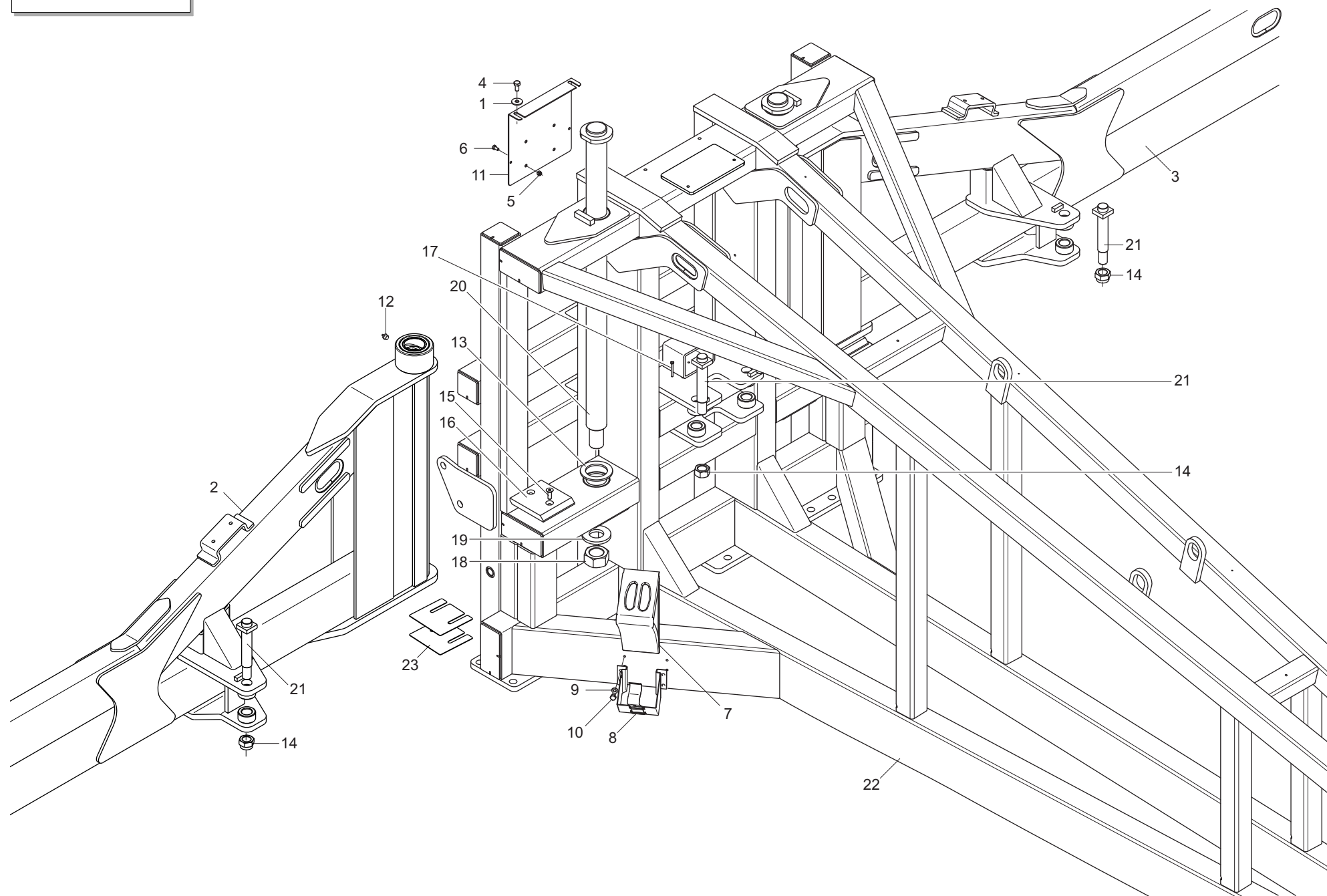
Comandarea pieselor de schimb se va face prin intermediul concesionarilor din zonă și trebuie să fie întotdeauna însoțite de următoarele date:

- **Tipul, modelul și numărul de matricolă al utilajului.** Aceste date se găsesc pe plăcuța de identificare a fiecărui utilaj.
- **Numărul de cod al piesei de schimb cerute,** care se găsește în manual.
- **Descrierea piesei de schimb și cantitatea cerută.**
- **Numărul desenului în care se găsește piesa.**
- **Mijloc de transport.** În cazul în care acesta nu este specificat, Firma Constructoare poate avea un regim special, nu răspunde de eventualele întârzieri de expediere datorate unor cauze de forță majoră.

Cheltuielile de transport sunt suportate de destinatar. Marfa este transportată pe riscul celui care efectuează comanda, chiar dacă marfa este vândută în condiții franco-destinare.

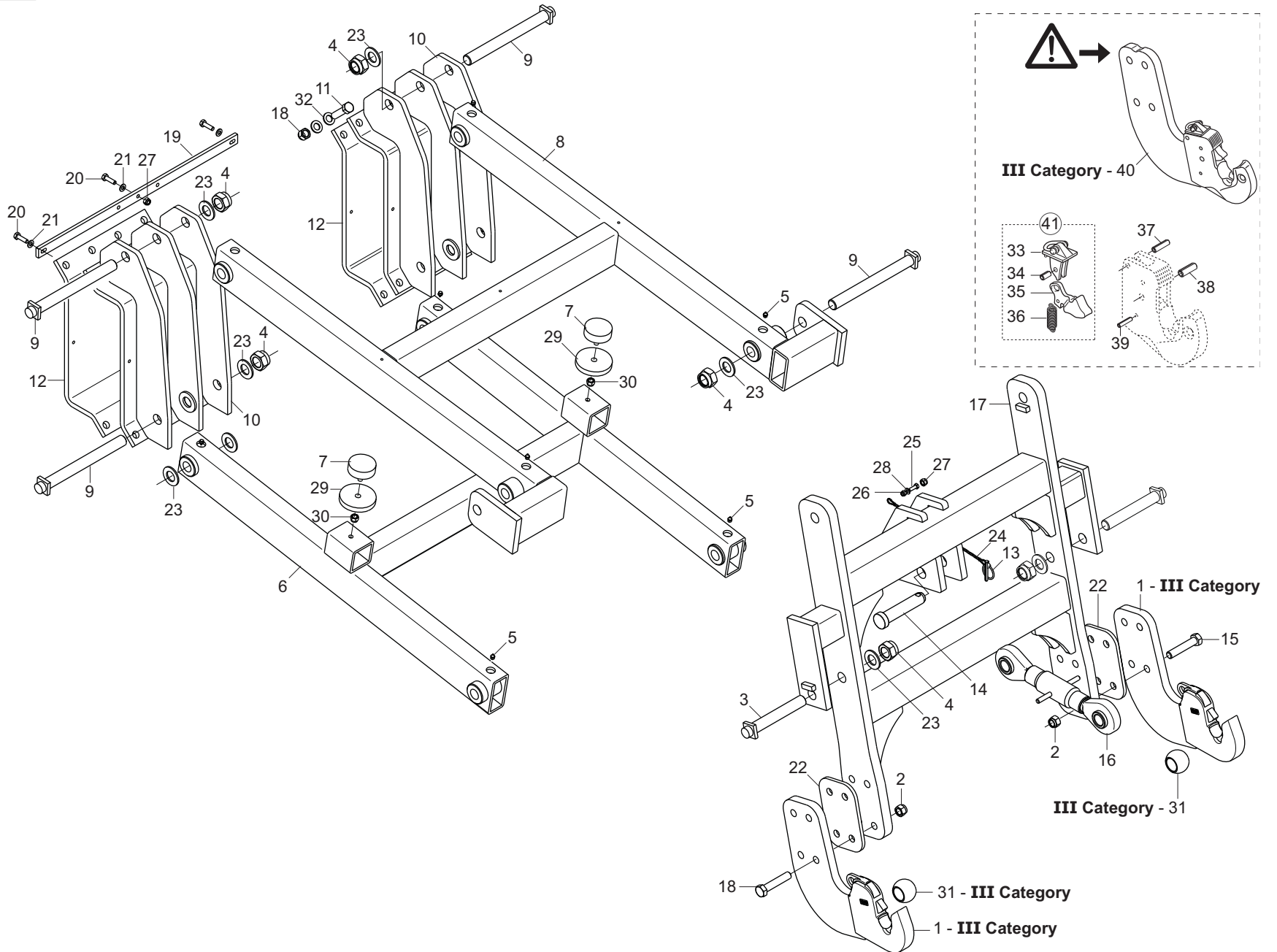
**NOTĂ:** Termenul **(Dx) Dreapta** sau **(Sx) Stânga** a utilajului sau a părților acestuia, este privind utilajul din partea posterioară. Excepțiile vor fi indicate.

<i>Nr. Tav.</i>	<i>Description</i>	<i>Pag.</i>
TAV. 012	Frame.....	4
TAV. 021	Seed drill hitch.....	6
TAV. 031	Row marker.....	8
TAV. 150	Row marker extension .....	10
TAV. 041	Eradicator.....	12
TAV. 053	Drawbar.....	14
TAV. 061	Trolley .....	16
TAV. 071	Hydraulic system row marker.....	18
TAV. 081	Hydraulic system eradicator.....	20
TAV. 091	Hydraulic system the safety device of the side sections.....	22
TAV. 101	Hydraulic system of the side sections.....	24
TAV. 111	Hydraulic system seed drill hitch.....	26
TAV. 122	Hydraulic system common parts.....	28
TAV. 133	Air transport pipes.....	30
TAV. 161	Aspirator.....	32
TAV. 181	Aspirator drive.....	34
TAV. 171	Cardan shaft (F08011764).....	36
TAV. 142	Lighting kit.....	38



## TELAIO / FRAME / RAHMEN / CADRE / BASTIDOR / CADRU

Pos.	Cod.	Descrizione	Description	Benennung	Description	Descrpcion	Descriere
1	F01420072	SAIBA M12 13X 48X 2,5 IX	WASHER M12 13X 48X2,5 IX				
2	R18510512	BRACCIO LATERALE DX	ASSEMBLED SIDE ARM RF.				ANSAMBLU BRAT LATERAL DX
3	R18510792	BRACCIO LATERALE SX	ASSEMBLED SIDE ARM LF.				ANSAMBLU BRAT LATERAL SX
4	F01020506	VITE M12X1,75X20 U5739 8.8 ZG	BOLT M12X1,75X20 U5739 8.8 ZG	SCHRAUBE M 12X20	VIS M 12X20	TORNILLO M 12X20	SURUB M12X1,75X20 U5739 8.8 ZB
5	F01230034	DADO M 8X1,25 D982 8	LOCK NUT M8X1,25 D982 8 ZN				
6	F01020432	VITE M8 X1,25X16 U5739 8.8 ZN	BOLT M8 X1,25X16 U5739 8.8 ZN	SCHRAUBE M8X1,25X16U5739 8.8ZN	VIS M8 X1,25X16 U5739 8.8 ZN	TORNILLO M8X1,25X16U5739 8.8ZN	
7	F02250724	CUNEO RUOTA VERN.DIN 76051 >	WEDGE WHEEL PAINTED DIN 76051				
8	F02250725	SUPP.X CUNEO F02250724 >	SUPPORT WEDGE F02250724	HALTERUNG HOLZBLOCK	SUPPORT CALE	SOPORTE CEPO	SUPPORT OPRITOR F02250724
9	F01410051	ROS.M8 8,4X 17X1,6 U6592 ZN	WASHER M8 8,4X17X1,6 U6592 ZN	SCHEIBE M8 8,4X17X1,6 U6592 ZN	RONDELLE M8 8,4X17X1,6 U6592ZN	ARANDELA M8 8,4X17X1,6 U6592ZN	
10	F01020432	VITE M8 X1,25X16 U5739 8.8 ZN	BOLT M8 X1,25X16 U5739 8.8 ZN	SCHRAUBE M8X1,25X16U5739 8.8ZN	VIS M8 X1,25X16 U5739 8.8 ZN	TORNILLO M8X1,25X16U5739 8.8ZN	
11	R18515910	PIASTRA FISSAGIO	BLADE COUPLING	MESSER KUPPLUNG	LAMA FIXATION	CUCHILLA FIJACION	PLACA FIXARE
12	F01100061	ING. M10X1 7663-A ZN	GREASE NIPPLE M10X1 7663-A ZN	SCHMIERBUECHSE M10X1 7663-A ZN	GRAISSEUR M10X1 7663-A ZN	ENGRASADOR M10X1 7663-A ZN	CAP GRESOR M10X1 7663-A ZN
13	R18515710	PIASTRA DISTANZIALE	BLADE SPACER	MESSER DISTANZSTUCK	LAMA ENTRETOISE	CUCHILLA DISTANCIADOR	PLACA DISTANTIER
14	F01200187	DADO M30X 3,5 U5587 6S BR	NUT M30X 3,5 U5587 6S BR	MUTTER M30X 3,5 U5587 6S BR	ECROU M30X 3,5 U5587 6S BR	TUERCA M30X 3,5 U5587 6S BR	PIULITA M30X 3,5 U5587 6S BR
15	F01030109	VITE M12X1,75X35 U5933 10.9 ZN	BOLT M12X1,75X35 5933 10.9 ZN	SCHRA.M12X1,75X35 U5933 10.9ZN	VIS M12X1,75X35 U5933 10.9 ZN	TORN.M12X1,75X35 U5933 10.9 ZN	SURUB M12X1,75X35 5933 10.9 ZN
16	R18513250	PLACA ANTIUZURA	ANTI-WEAR PLATE				
17	F01020416	VITE M 6X 1X 55 U5739 8.8 ZN	BOLT M6X 1X 55 U5739 8.8 ZN	SCHRAUBE 6 X55 5739 8.G ZN	VIS 6 X55 5739 8.G ZN	TORNILLO 6X55 5739 8.G ZN	SURUB M6X 1X 55 U5739 8.8 ZN
18	F01200401	DADO M48X 5 U5588 8.8 ZN	NUT M48X 5 U5588 8.8 ZN	MUTTER M48X 5 U5588 8.8 ZN	ECROU M48X 5 U5588 8.8 ZN	TUERCA M48X 5 U5588 8.8 ZN	PIULITA M48X 5 U5588 8.8 ZN
19	R18512760	ROSSETTA D.50	WASHER D.50	SCHEIBE D.50	RONDELLE D.50	ARANDELLA D.50	SAIBA D.50
20	R18511300	PERNO D70 M48 L1275	BOLT D70 M48 L1275	BOLTZEN D70 M48 L1275	BOULON D70 M48 L1275	PERNO D70 M48 L1275	BOLT D70 M48 L1275
21	R18512732	PERNO M30 L204 ZN	PIN M30 L204 ZN				BOLT M30 L204 ZN
22	R18510031	SASIU CENTRAL	ASSEMBLEA CENTRALE				
23	R18516820	PIASTRA DISTANZIALE	SPACER PLATE				PLACA DISTANTIER

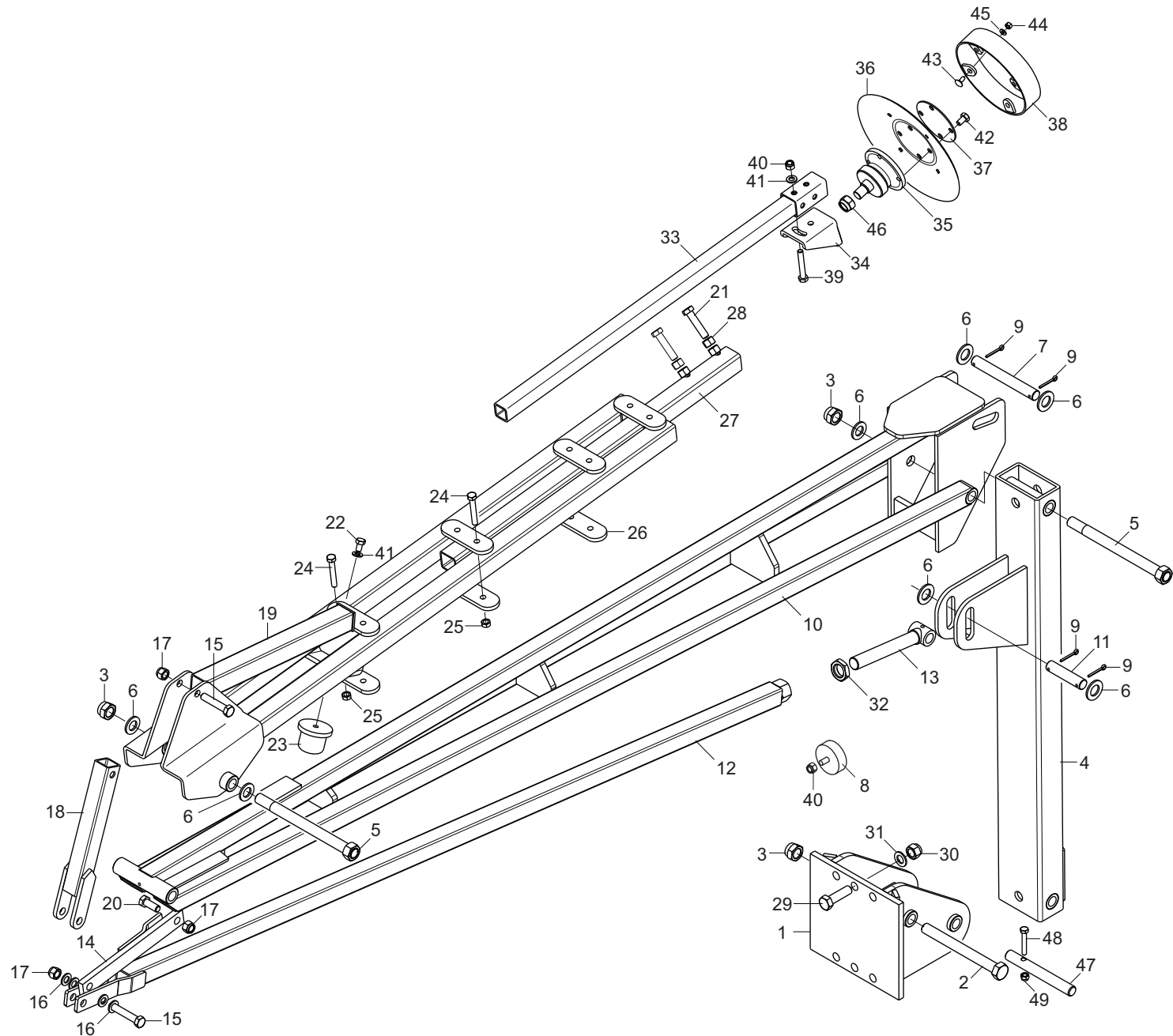


**AGGANCIO SEMINATRICE / SEED DRILL HITCH / HALTERUNG BOHRER / SUPPORT FORAGE /  
APOYO SEMBRADORA / SUPORT SEMĂNĂTOARE**

TAV. 021

Pos.	Cod.	Descrizione	Description	Benennung	Description	Descrpcion	Descriere
1	R18516252	ATTACCO SEMINATORE	ATTACHMENT SEEDER				ANSAMBLU PRINDERE SEMANATOARE
2	F01230131	DADO M20X 2,5 D982 6 ZN	NUT M20X 2,5 D982 6 ZN	MUTTER M20X 2,5 D982 6 ZN	ECROU M20X 2,5 D982 6 ZN	TUERCA M20X 2,5 D982 6 ZN	PIULITA M20X 2,5 D982 6 ZN
3	R18511391	BOLT D30 L195 ZN	BOLT D30 L195 ZN				
4	F01230157	DADO M30X 3,5 D982 8 ZN	NUT M30X 3,5 D982 8 ZN	MUTTER M30X 3,5 D982 8 ZN	ECROU M30X 3,5 D982 8 ZN	TUERCA M30X 3,5 D982 8 ZN	PIULITA M30X 3,5 D982 8 ZN
5	F01100061	ING. M10X1 7663-A ZN	GREASE NIPPLE M10X1 7663-A ZN	SCHMIERBUECHSE M10X1 7663-A ZN	GRAISSEUR M10X1 7663-A ZN	ENGRASADOR M10X1 7663-A ZN	CAP GRESOR M10X1 7663-A ZN
6	R18510830	ASSIEME ATTACCO INFERIORE	LOWER COUPLING FRAME	RAHMEN KUPPLUNG UNTEN	ANS. RACCORD BAISSER	ANS.CONEXIN BAJAR	ANSAMBLU PRINDERE INFERIOARE
7	F05150459	PARACOLPI CIL. 75X25 SH71	CYLINDER GUARD 75X25 M12 SH71	PUFFER CIL. 75X25 M12	TAMPON CIL. 75X25 M12	PARACHOQ. CIL. 75X25 M12	TAMPON CIL.75X25 M12
8	R18510940	ASSIEME ATTACCO SUPERIORE	HIGHER COUPLING FRAME	RAHMEN KUPPLUNG HOHER	ANS. RACCORD SUPERIEUR	ANS. CONEXIN MAYOR	ANSAMBLU PRINDER SUPERIOARA
9	R18511431	BOLT D30 L300 ZN	BOLT D30 L300				
10	R18511010	GIUNTO ATTACCO	COUPLING JOINT	KUPPLUNG GELENK	FIXATION RACCORD	CONEXIN UNION	PRINDERE ARTICULATIE
11	F01020298	VITE M18X2,5X75 U5737 10.9 ZN	SCREW M18X2,5X75 U5737 10.9 ZN	SCHAR. M18X2,5X75 5737 10.9 ZN	VIS M18X2,5X75 U5737 10.9 ZN	TORNIL.M18X2,5X75 5737 10.9 ZN	SURUB M18X2,5X75 U5737 10.9 ZN
12	R18511030	GIUNTO ATTACCO	COUPLING JOINT	KUPPLUNG GELENK	FIXATION RACCORD	CONEXIN UNION	PRINDERE ARTICULATIE
13	F02200507	SPINA A SCATTO D 9 B/83	SNAP PIN D9 B/83 ZN	EINRASTSTIFT D9 B/83 ZN	FICHE A DETENTE D9 B/83 ZN	CLAVIJA DE MUELLE D9 B/83 ZN	STIFT RESORT D9 B/83 ZN
14	F20100101	PERNO D32 L128 C43 ZN	BOLT D32 L128 C43 ZN	BOTZEN D32 L128 C43 ZN	BOULON D32 L128 C43 ZN	PERNO D32 L128 C43 ZN	BOLT D32 L128 C43 ZN
15	F01020326	VITE M20X100 U5737 10.9 ZN	BOLT M20X2,5X100 U5737 10.9 ZN	SCHRA.M20X2,5X100 5737 10.9 ZN	VIS M20X2,5X100 U5737 10.9 ZN	TORN.M20X2,5X100 U5737 10.9 ZN	SURUB M20X100 U5737 10.9 ZN
16	F02450024	MARTINETO L=465 L=360 D=32	TIE-ROD L=465 L=360 D=32	ZUGSTANGE L=465 L=360 D=32	TRINGLE L=465 L=360 D=32	TIRANTE L=465 L=360 D=32	TIRANTE L=465 L=360 D=32
17	R18510891	ASSIEME ATTACCO	COUPLING ASSEMBLY	RAHMEN KUPPLUNG	ENSEMBLE FIXATION	BASTIDOR ACOPLAMIENTO	ANSAMBLU PRINDERE
18	F01230098	DADO M18X 2,5 D982 8 ZN	NUT M18X 2,5 D982 8 ZN	MUTTER M18X 2,5 D982 8 ZN	ECROU M18X 2,5 D982 8 ZN	TUERCA M18X 2,5 D982 8 ZN	PIULITA M18X 2,5 D982 8 ZN
19	R18511200	PIASTRA SUPPORTO TUBO HIDRA.	BLADE SUPPORT PIPE HYDRA.	MESSER HALTERUNG ROHR HIDR.	LAMA SUPPORT TUBE HYDRA.	CUCHILLA SOPORTE TUBO HIDRAU.	PLACA SUPORT FURTUN HIDRAULIC
20	F01020476	VITE M10X1,5X30 U5739 8.8 ZN	BOLT M10X1,5X30 U5739 8.8 ZN	SCHRAUBE M10X1,5X30U5739 8.8ZN	VIS M10X1,5X30 U5739 8.8 ZN	TORNIL.M10X1,5X30 U5739 8.8 ZN	
21	F01410064	ROS.M10 10,5X 20X 2 U6592 ZN	ARAND. M10 10,5X20X2 U6592 ZN				
22	R18510951	PIASTRA DISTANZIALE	PLATE SPACER	DISTANZSTsCK MESSER	ENTRETOISE PLAQUE	PLACA DISTANCIADOR	PLACA DISTANTIER
23	F01410168	ROS.M30 31X 56X 4 U6592 ZN	WASHER M30 31X56X4 U6592 ZN	SCHRAUBE M30 31X56X4 U6592 ZN	RONDELLA M30 31X56X4 U6592 ZN	ARANDELLA M30 31X56X4 U6592 ZN	SAIBA M30 31X56X4 U6592 ZN
24	G13812311	CATENELLA CON MOSCHETTONE	CHAIN WITH SPRING CATCH	KETTE MIT KARABINERHAKEN	CHAINETTE AVEC MOUSQUETON	CADENA CON GANCHO	LANT CU CARLIG
25	F01020440	VITE M8X1,25X25 U5739 8.8 ZN	SCREW M8X1,25X25 U5739 8.8 ZN	SCHRAUBE M8X1,25X25U5739 8.8ZN	VIS M8X1,25X25 U5739 8.8 ZN	TORNIL.M8X1,25X25 U5739 8.8 ZN	
26	F01230034	DADO M 8X1,25 D982 8	LOCK NUT M8X1,25 D982 8 ZN				
27	F01230046	DADO M10X 1,25 D982 8 ZN	NUT M10X 1,25 D982 8 ZN	MUTTER M10X 1,25 D982 8 ZN	ECROU M10X 1,25 D982 8 ZN	TUERCA M10X 1,25 D982 8 ZN	PIULITA M10X 1,25 D982 8 ZN
28	F01420048	ROS.M8 8,4X 24X 2 U6593 ZN	WASHER M8 8,4X 24X2 U6593 ZN	SCHWEIBEN M8 8,4X24X 2 U6593 ZN	RONDELLE M8 8,4X24X 2 U6593 ZN	ARANDELA M8 8,4X 24X2 U6593 ZN	
29	R18516220	PIASTRA ATACCO PARACOLPI	BUFFER PLATE SPACER	PUFFER DISTANZSTsCK MESSER	PARE-CHOCs ENTRETOISE PLAQUE	PLACA DISTANCIADOR PARAGOLPES	PLACA DISTANTIER TAMPON
30	F01230059	DADO M12X1,75 D982 8 ZN	LOCK-NUT M12X1,75 D982 ZN	SICHERUNGSMUTTER M12 D982 ZN	ECROU AUTO-FREINES M12 D982 ZN	TUERCA DE SEGURIDAD M12 D982ZN	
31	F02250712	ROTULA 3°CAT.	LINK BALL 1-2 POINT CAT.3	KUPPLUNGSKUGEL 1-2P. CAT.3	SPHERE JOINT 1-2P. CAT.3	BOLA JUNTA 1-2P. CAT.3	NUCA 1-2 PUNCT CAT.3
32	F01410112	ROSSETA M18 19X 34X 3 U6592 ZN	WASHER M18 19X 34X 3 U6592 ZN	SCHWEIBE M18 19X 34X 3 U6592 ZN	RONDELLE M18 19X34X 3 U6592 ZN	ARANDELA M18 19X 34X3 U6592 ZN	SAIBA M18 19X 34X 3 U6592 ZN
33	F02350083	LEVA GANCIO RAP. INF. CAT.3	LEVER HOOK RAP. INF. CAT.3	LEVER HAKEN RAP. INF. CAT. 3	LEVIER CROCHET RAP. INF. CAT.3	PALANCA GANCHO RAP. INF. CAT.3	MANER CARLIG RAP. INF. CAT.3
34	F02100318	SPINA EL. 8X18 DIN 1484	ELASTIC PIN 8X18 DIN 1484	STIFT EL. 8X18 DIN 1484	FICHE EL. 8X18 DIN 1484	CLAVIJA EL. 8X18 DIN 1484	STIFT EL. 8X18 DIN 1484
35	F02350084	DENTE GANCIO RAP. INF. CAT.3	HOOK TOOTH RAP. INF. CAT.3	ZINKEN HAKEN RAP. INF. CAT.3	DENT CROCHET RAP. INF. CAT.3	DIENTE GANCHO RAP. INF. CAT.3	DINTE CARLIG RAP. INF.CAT.3
36	F02350085	ARC CARLIG RAPID INF. CAT.3					
37	F02100319	SPINA EL. 13X36 DIN 1481	ELASTIC PIN 13X36 DIN 1481	STIFT EL. 13X36 DIN 1481	FICHE EL. 13X36 DIN 1481	CLAVIJA EL. 13X36 DIN 1481	STIFT EL. 13X36 DIN 1481
38	F02100320	SPINA EL. 10X36 ISO 8752	ELASTIC PIN 10X36 ISO 8752	STIFT EL. 10X36 ISO 8752	FICHE EL. 10X36 ISO 8752	CLAVIJA EL. 10X36 ISO 8752	STIFT EL. 10X36 ISO 8752
39	F02100321	SPINA EL. 6X32 ISO 8752	ELASTIC PIN 6X32 ISO 8752	STIFT EL. 6X32 ISO 8752	FICHE EL. 6X32 ISO 8752	CLAVIJA EL. 6X32 ISO 8752	STIFT EL. 6X32 ISO 8752
40	R18516252	ATTACCO SEMINATORE	ATTACHMENT SEEDER				ANSAMBLU PRINDERE SEMANATOARE
41	F02350082	KIT REV. GANCIO RAP. INF.CAT.3	KIT REV. QUICK FIT.CAT.3				

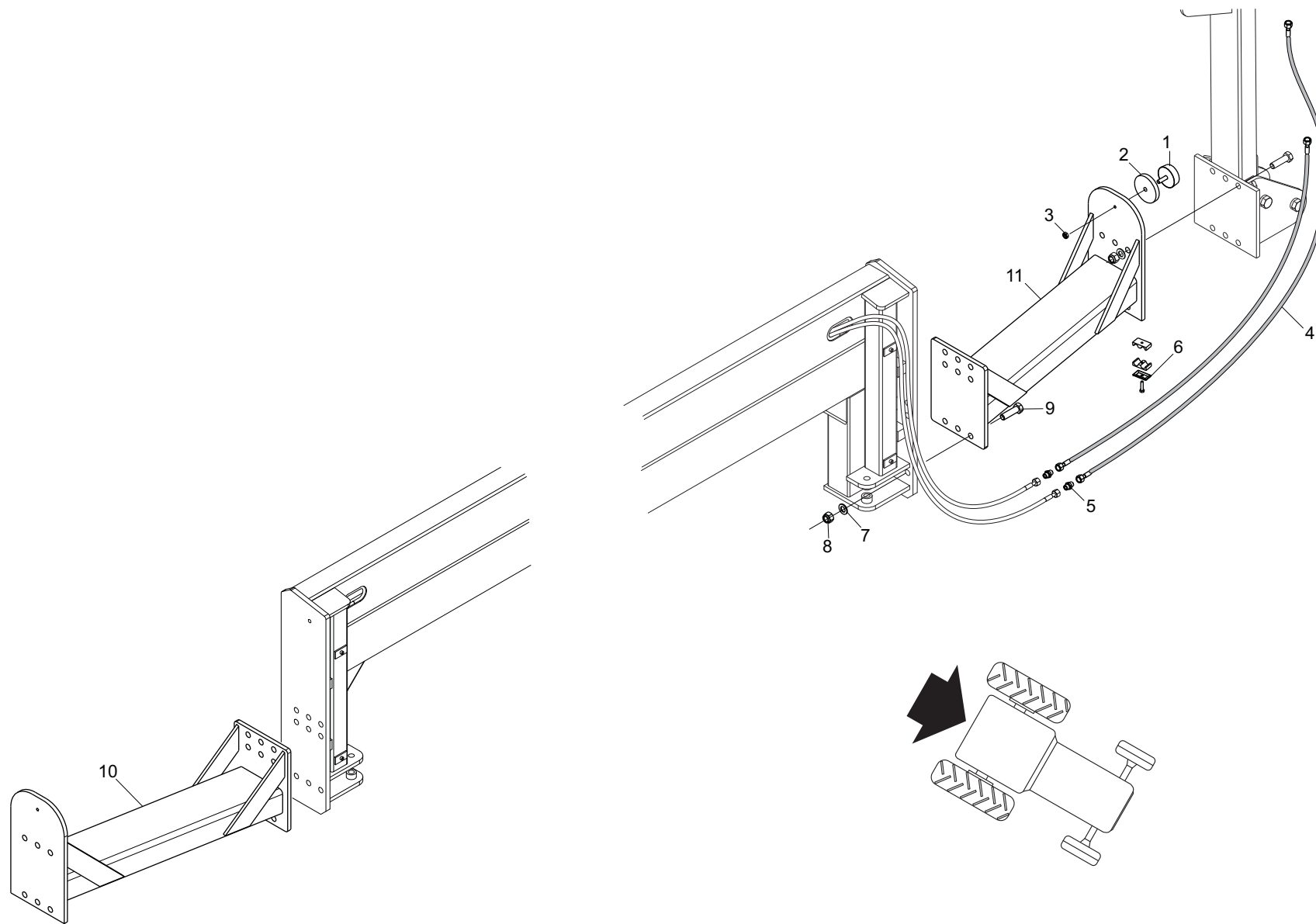






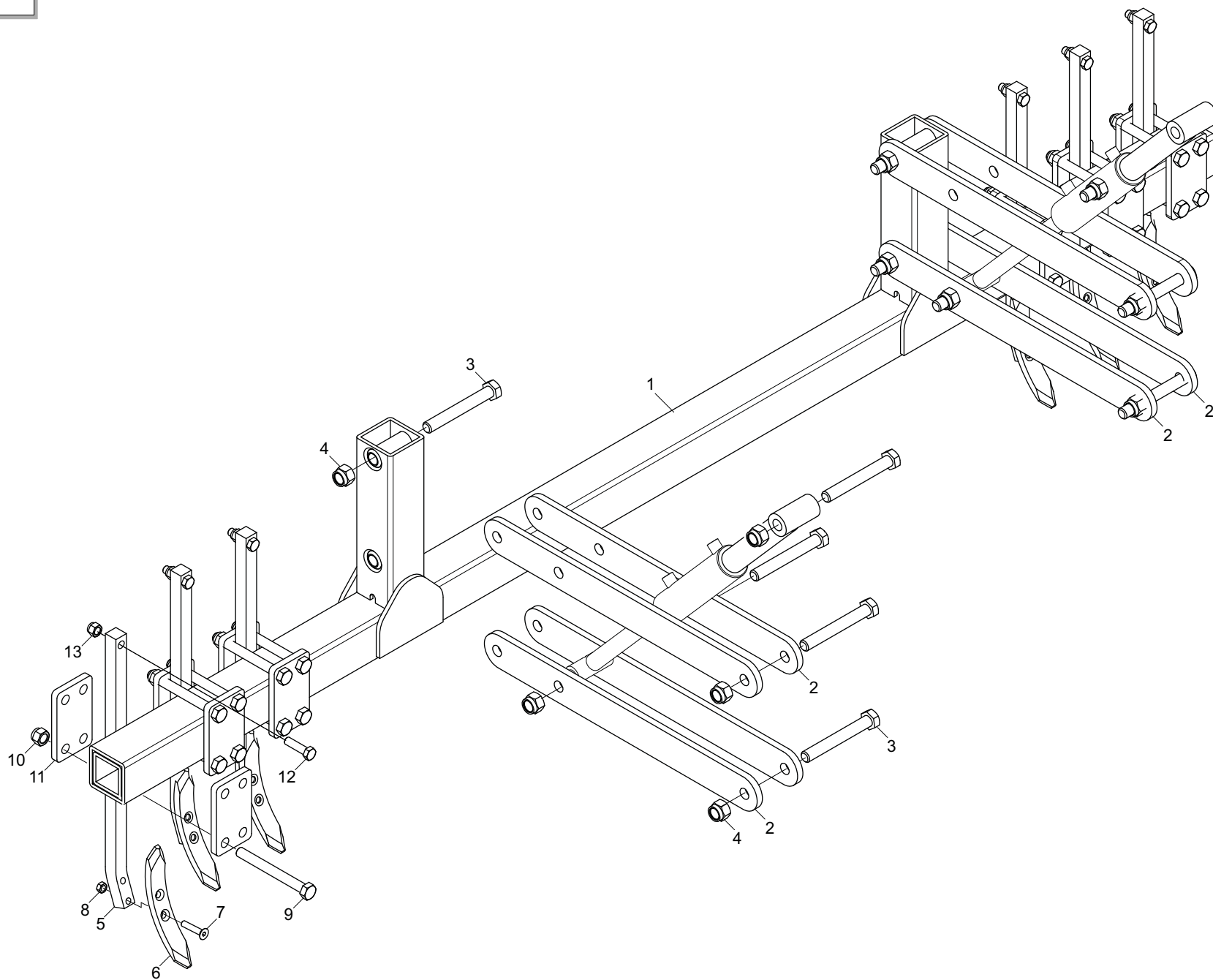
## SEGNAFIILE / ROW MARKER / SPURANGEIZER / TRACEUR / MARCADOR / MARCATOR

Pos.	Cod.	Descrizione	Description	Benennung	Description	Descrpcion	Descriere
1	R18511841	SCONTRO SEGNAFILE	STRIKER FOLDING ARM	ANSCHLAG KLAPPBARER	BRIDE PLIANT ARM	EL.DE EMPALME BRAZO PLEGABILE	BRIDA MARACTOR
2	F01020339	VITE M24X3X240 U5737 10.9 ZN	BOLT M24X3X240 U5737 10.9 ZN	SCHRA. M24X3X240 U5737 10.9 ZN	VIS M24X3X240 U5737 10.9 ZN	TORNIL.M24X3X240 U5737 10.9 ZN	SURUB M24X3X240 U5737 10.9 ZN
3	F01230144	DADO M24X 3 D982 8 ZN	NUT M24X 3 D982 8 ZN	MUTTER M24X 3 D982 8 ZN	ECROU M24X 3 D982 8 ZN	TUERCA M24X 3 D982 8 ZN	PIULITA M24X 3 D982 8 ZN
4	R18511641	BRACCIO SEGNAFILE	FOLDING ARM	KLAPPBARER ARM	BRAS PLIANT	BRAZO PLEGABILE	BRAT MARCATOR
5	R18512701	VITE M24X3 ZN	BOLT M24X3 ZN	SCHRAUBE M24X3 ZN	VIS 24X3 ZN	TORNILLO M24X3 ZN	SURUB M24X3 ZN
6	F01410157	ROS.M27 28X 50X 4 U6592 ZB	WASHER M27 28X50X4 U6592 ZB	SCHRAIBE M27 28X50X4 U6592 ZB	RONDELLE M27 28X50X4 U6592 ZB	ARANDELA M27 28X50X4 U6592 ZB	SAIBA M27 28X50X4 U6592 ZB
7	R18512660	BOLT D25 L182	PIN D25 L 182				
8	F05150459	PARACOLPI CIL. 75X25 SH71	CYLINDER GUARD 75X25 M12 SH71	PUFFER CIL. 75X25 M12	TAMPON CIL. 75X25 M12	PARACHOQ. CIL. 75X25 M12	TAMPON CIL.75X25 M12
9	F02200230	COPIGLIA D5X 50 U1336 ZN	SPLIT PIN D5 X50 U1336 ZN	SPLINT D5 X50 U1336 ZN	FICHE D5 X50 U1336 ZN	CLAVIJA D5 X50 U1336 ZN	SPLINT 5 X50 U1336 ZN
10	R18511630	BRAT CENTRAL MARCATOR	CENTRAL ARM				
11	R18512670	PERNO D25 L=92	BOLT D25 L=92	BOLZEN D25 L=92	BOULON D25 L=92	PERNO D25 L=92	BOLT D25 L=92
12	R18511910	TUB REGLARE MARCATOR	ROWMARKER TUBE				
13	R18511930	ASSIEME REGOLA LUNGHEZZA	LENGTH ADJUSTING ASSEMBLY	RAHMEN EINSTELLUNG LANGE	ENSEMBLE ADJUST LONGUEUR	ASEMBLEA ADJUSTE LONGITUD	ANSAMLBU REGLAJ LUNGIME
14	R18516030	ASSIEME RINFORZO	REINFORCEMENT ASSEMBLY				ANSAMBLU INTARITURA
15	F01020264	VITE M16X 2X 90 U5737 8.8 ZN	BOLT M16X2X90 5737 8.8 ZN	SCHRAUBE M16X2X90 5737 8.8 ZN	VIS M16X2X90 5737 8.8 ZN	TORN. M16X2X90 5737 8.8 ZN	SURUB M16X2X90 5737 8.8 ZN
16	F01410100	ROS.M16 17X 30X 3 U6592 ZN	WASHER M16 17X30X3 U6592 ZN				
17	F01230085	DADO M16X 2 D982 8 ZN	NUT M16X 2				
18	R18511890	TUBO GIUNTO	JOINT TUBE				TUB ARTICULATIE
19	R18511800	BRACCIO CENTRALE SEGNAFILE	CENTRAL ROW MARKER ARM				BRAT CENTRAL MARCATOR
20	F01020572	VITE M16X 2X55 U5739 8.8 ZN	BOLT M16X 2X55 5739 8.8 ZN	SCHRAUBE M16X2X55	VIS M16X2X55	TORNILLO M16X2X55	SURUB M16X 2X55 5739 8.8 ZN
21	F01020576	VITE M16X2X65 U5739 8.8 ZN	BOLT M16X2X65 U5739 8.8 ZN	SCHRAUBE M16X2X65 U5739 8.8 ZN	VIS M16X2X65 U5739 8.8 ZN	TORNILLO M16X2X65 U5739 8.8 ZN	SURUB M16X2X65 U5739 8.8 ZN
22	F01020506	VITE M12X1,75X20 U5739 8.8 ZG	BOLT M12X1,75X20 U5739 8.8 ZG	SCHRAUBE M 12X20	VIS M 12X20	TORNILLO M 12X20	SURUB M12X1,75X20 U5739 8.8 ZB
23	F05150458	AMMORTIZZATORE 80X60 M12	PARACHOQ. 80X60 M12	DAMPFER 80X60 M12	AMORTISSEUR 80X60 M12	APAGADOR 80X60 M12	TAMPON AMORTIZOR 80X60 M12
24	F01020168	VITE M12X1,75X90 U5737 8.8 ZN	SCREW M12X1,75X90 U5737 8.8 ZN	SCHRAB.M12X1,75X90 5737 8.8 ZN	VIS M12X1,75X90 U5737 8.8 ZN	TORNIL.M12X1,75X90 5737 8.8 ZN	SURUB M12X1,75X90 U5737 8.8 ZN
25	F01220048	DADO M12X1,75 D980 8 ZN	NUT M12X1,75 D980 8 ZN	SCHRAIBE M12X1,75 D980 8 ZN	ECROU M12X1,75 D980 8 ZN	TUERCA M12X1,75 D980 8 ZN	PIULITA M12X1,75 D980 8 ZN
26	R18511820	PIASTRAATTACCO TUBO	BLADE COUPLING PIPE	MESSER KUPPLUNG ROHR	LAMA FIXATION TUBE	CUCHILLA FIJACION TUBO	PLACA PRINDERE TUB
27	G15913640	INNESTO RAPIDO	QUICK-CONNECTION	SCHNELLKUPPLUNG	CONNEXION RAPID	ACOMPLAMIENT RAPIDO	ANS. CUPLA RAPIDA
28	F01200321	>DADO M16X 2 U5588 6.8 ZN	NUT M16X2 U5588 6.8 ZN	MUTTER M16X2 U5588 6.8 ZN	ECROU M16X2 U5588 6.8 ZN	TUERCA M16X2 U5588 6.8 ZN	PIULITA M16X 2 U5588 6.8 ZN
29	F01020309	VITE M20X2,5X70 U5737 8.8 ZG	BOLT M20X2,5X70 U5737 8.8 ZN	SCHRAUBE M20X2,5X70	VIS M20X2,5X70	TORNILLO M20X2,5X70	SURUB M20X2,5X70 5737 8,8 ZB
30	F01230131	DADO M20X 2,5 D982 6 ZN	NUT M20X 2,5 D982 6 ZN	MUTTER M20X 2,5 D982 6 ZN	ECROU M20X 2,5 D982 6 ZN	TUERCA M20X 2,5 D982 6 ZN	PIULITA M20X 2,5 D982 6 ZN
31	F01410124	ROS.M20 21X 37X 3 U6592 ZN	ARANDELA M20 21X37X3 U6592 ZN				
32	F01200496	DADO M30X 3,5 U5589 8 ZN	NUT M30X 3,5 U5589 8 ZN	MUTTER M30X 3,5 U5589 8 ZN	ECROU M30X 3,5 U5589 8 ZN	TUERCA M30X 3,5 U5589 8 ZN	PIULITA M30X 3,5 U5589 8 ZN
33	G15913670	SEZIONE TELESCOPICA	TELESCOPIC ELEMENT	SCHNITT TELESCOPIC	SECTION TELESCOPIQUE	ELEMEION TELESCOPICO	SUPORTE BUTUC MARCATOR
34	R18516110	SUPPORTO MOZZO SEGNAFILE	SUPPORT ROW-MAKER HUB	HALTERUNG KEILNABE KLAPPBARER	SUPPORT MOYEU BRAS PLIANT	SOPORTE CUBO BRAZO PLEGABLE	SUPORT BUTUC MARCATOR
35	F06160015	MOZZO SKF AGRI HUB BAA-0004	HUB SKF AGRI HUB BAA-0004	KEILNABE	MOYEU	CUBO	BUTUC
36	R18516290	DISCO SEGNAFILE	ROW-MAKER DISK	SCHLEIBEN KLAPPBARER	DISQUES BRAS PLIANT	DISCO BRAS PLEGABLE	DISC MARCATOR
37	R18516060	FLANGIA	FLANGE	FLANSCH	PALIER	CASQUILLO	FLANSA
38	G16610210	ASS.LIMITATORE PROFONDITA'	LIMITER DEPTH COUPLYNG	TIEFENBEGRENZERKOMPLEX	GR. ASS. LIMITEUR DE PROFONDEU	CONJ. LIMITADOR DE PROFUNDIDAD	ANSAMBLU LIMITATOR ADANCIME
39	F01020166	SURUB M12X1,75X80 U5737 8.8 ZN	BOLT M12X1,75X80 U5737 8.8 ZN				
40	F01230059	DADO M12X1,75 D982 8 ZN	LOCK-NUT M12X1,75 D982 ZN	SICHERUNGSMUTTER M12 D982 ZN	ECROU AUTO-FREINES M12 D982 ZN	TUERCA DE SEGURIDAD M12 D982ZN	
41	F01410076	ROS.M12 13X 24X2,5 U6592 ZN	WASHER 12 13X 24X2,5 U6592 ZN	SCHRAIBE M12 13X24X2,5 U6592 ZN	RONDEL. M12 13X24X2,5 U6592 ZN	ARANDELA M12 13 X24X2,5 ZN	
42	F01010279	VITE M12X1,25X20 U5740 8.8 ZN	BOLT M12X1,25X20 U5740 8.8 ZN	SCHRAUBE M12X1,25X20 U5740 8.8	VIS M12X1,25X20 U5740 8.8 ZN	TORNILLO M12X1,25X20 U5740 8.8	SURUB M12X1,25X20 U5740 8.8 ZN
43	F01060040	VITE M8X1,25X20 U5732 4.6 ZN	BOLT M8X1,25X20 U5732 4.6 ZN	SCHRA. M8X1,25X20 U5732 4.6 ZN	VIS M8X1,25X20 U5732 4.6 ZN	TORN. M8X1,25X20 U5732 4.6 ZN	SURUB M8X1,25X 20 U5732 4.6 ZN
44	F01200244	DADO M8 X1,25 U5588 6.8 ZN	NUT M8 X1,25 U5588 6.8 ZN	MUTTER M8 X1,25 U5588 6.8 ZN	ECROU M8 X1,25 U5588 6.8 ZN	TUERCA M8 X1,25 U5588 6.8 ZN	PIULITA M8 X1,25 U5588 6.8 ZN
45	F01420048	ROS.M8 8,4X 24X 2 U6593 ZN	WASHER M8 8,4X 24X2 U6593 ZN	SCHLEIBEN M8 8,4X24X 2 U6593 ZN	RONDELLE M8 8,4X24X 2 U6593 ZN	ARANDELA M8 8,4X 24X2 U6593 ZN	
46	F01250064	DADO COLON. 22X1,5 ZN	NUT COLON. 22X1,5 ZN	SCHRAUBBOLZENMUTTER 22X1,5 ZN	ECROU COLONNETTE 22X1,5 ZN	TUERCA COLUMNA 22X1,5 ZN	PIULITA FLANG. 22X1,5 ZN
47	R18516600	BULON D=25 L=210 C45 ZN	PIN D=25 L.210				
48	F01020120	VITE M10X1,5X65 U5737 8.8 ZN	BOLT M10X1,5X65 U5737 8.8 ZN	SCHRA. M10X1,5X65 U5737 8.8 ZN	VIS M10X1,5X65 U5737 8.8 ZN	TORN. M10X1,5X65 U5737 8.8 ZN	SURUB M10X1,5X65 U5737 8.8 ZN
49	F01230048	DADO M10X 1,5 D982 8 ZN	LOCK NUT M10X 1,5 D982 8 ZN	SICHERUNGSMUTT.M10X1,5 D982 ZN	ECR.AUTO-FREIN.M10X1,5 D982 ZN	TUERCA SEGURID.M10X1,5 D982 ZN	



## PROLUNGA SEGNAFILE / ROW MARKER EXTENSION

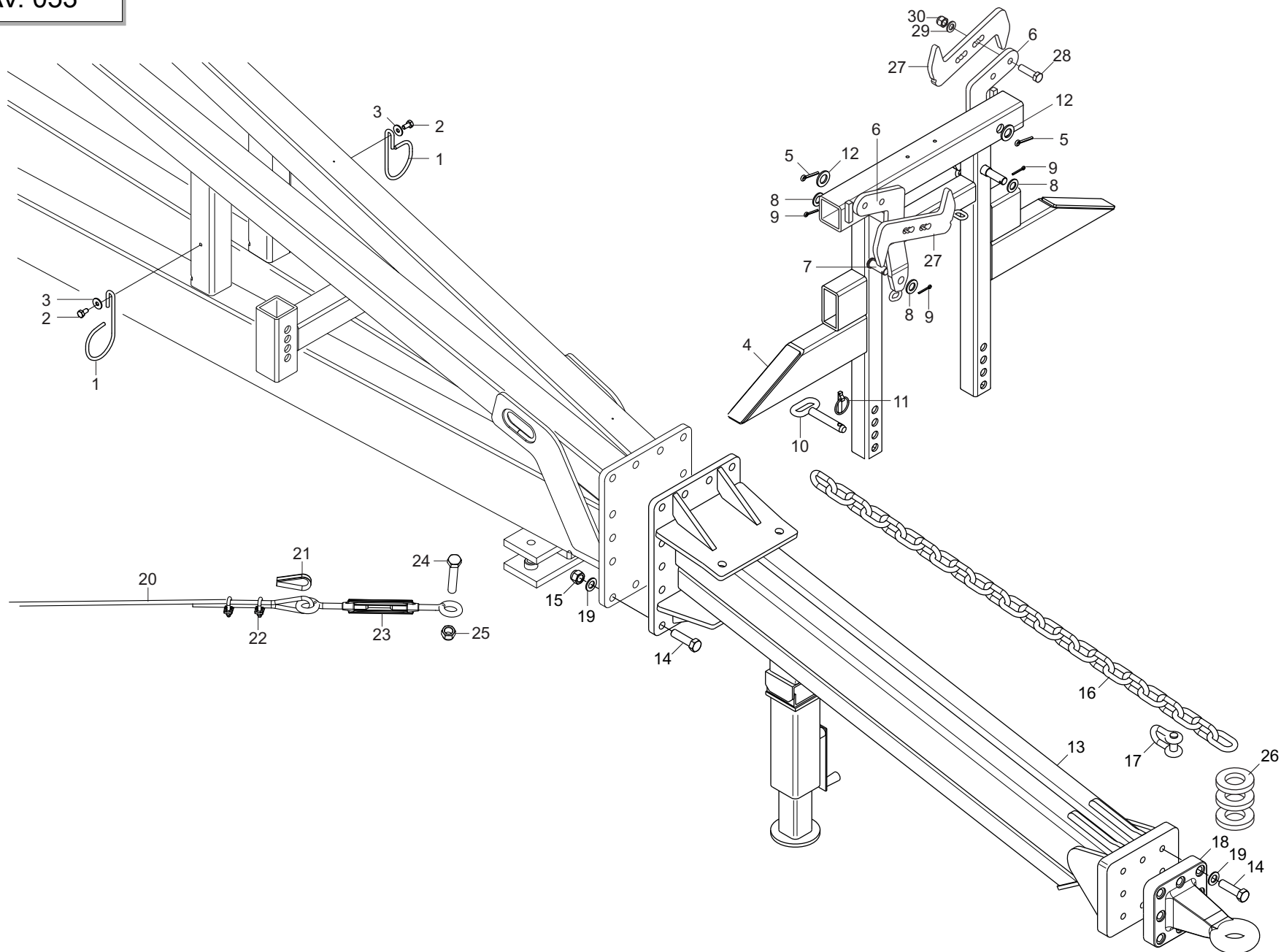
Pos.	Cod.	Descrizione	Description	Benennung	Description	Descripcion	Descriere
1	F05150459	PARACOLPI CIL. 75X25 SH71	CYLINDER GUARD 75X25 M12 SH71	PUFFER CIL. 75X25 M12	TAMPON CIL. 75X25 M12	PARACHOQ. CIL. 75X25 M12	TAMPON CIL.75X25 M12
2	R18516220	PIASTRA.ATACCO PARACOLPI	BUFFER PLATE SPACER	PUFFER DISTANZSTsCK MESSER	PARE-CHOCS ENTRETOISE PLAQUE	PLACA DISTANCIADOR PARAGOLPES	PLACA DISTANTIER TAMPON
3	F01200421	DADO M12X1,75 U5589 6S ZN	NUT M12	MUTTER M12	ECROU M12	DADO M12	PIULITA M12X 1.75 U5589 6S ZN
4	G16116410	TUBO 3/8R2 F3/8- F3/8 1000	TUBE 3/8R2 F3/8- F3/8 1000	ROHR 3/8R2 F3/8- F3/8 1000	TUBE 3/8R2 F3/8- F3/8 1000	TUBO 3/8R2 F3/8- F3/8 1000	TUB 3/8R2 F3/8- F3/8 1000
5	F03150321	NIPPO MM CIL-CIL 3/8-3/8 ZG	NIPPLE MM CIL-CIL 3/8-3/8 ZN	NIPPLEZYL MM 3/8-3/8 ZN	NIPPLE MM CIL-CIL 3/8-3/8 ZN	NIPLE MM CIL-CIL 3/8-3/8 ZN	NIPLU MM CIL-CIL 3/8-3/8 ZN
6	F02350014	COLLARE FERMA 2 TUBI D.18	FIXING BLOCK 2 TUBE D.18	BEFESTIGUNGS-BLOCK 2 ROHR D18	BLOQUE DE FIXATION 2 TUBE D.18	FIJACION DE BLOQUE 2 TUB. D.18	BLOC DE FIXARE 2 TUBURI D.18
7	F01410124	ROS.M20 21X 37X 3 U6592 ZN	ARANDELA M20 21X37X3 U6592 ZN				
8	F01230131	DADO M20X 2,5 D982 6 ZN	NUT M20X 2,5 D982 6 ZN	MUTTER M20X 2,5 D982 6 ZN	ECROU M20X 2,5 D982 6 ZN	TUERCA M20X 2,5 D982 6 ZN	PIULITA M20X 2,5 D982 6 ZN
9	F01020309	VITE M20X2,5X70 U5737 8.8 ZG	BOLT M20X2,5X70 U5737 8.8 ZN	SCHRAUBE M20X2,5X70	VIS M20X2,5X70	TORNILLO M20X2,5X70	SURUB M20X2,5X70 5737 8,8 ZB
10	R18516230	ATTACCO SEGNAFILE DX	COUPLING ROW-MAKER RH	KUPPLUNG KLAPPBARER RH	FIXATION PLIANT ARM DROIT	CONEXIN BRAZO PLEGABILE DX	ANSAMBLU PRINDERE MARCATOR DX
11	R18516170	ATTACCO SEGNAFILE SX	COUPLING ROW-MAKER LH	KUPPLUNG KLAPPBARER LH	FIXATION PLIANT ARM GAUCHE	CONEXIN BRAZO PLEGABILE SX	ANSAMBLU PRINDERE MARCATOR SX



**ROMPITRACCIA / ERADICATOR / SPURLOCKERER / DENTS EFFACE TRACES /  
BORRAHUELLAS / SCORMONITOR**

TAV. 041

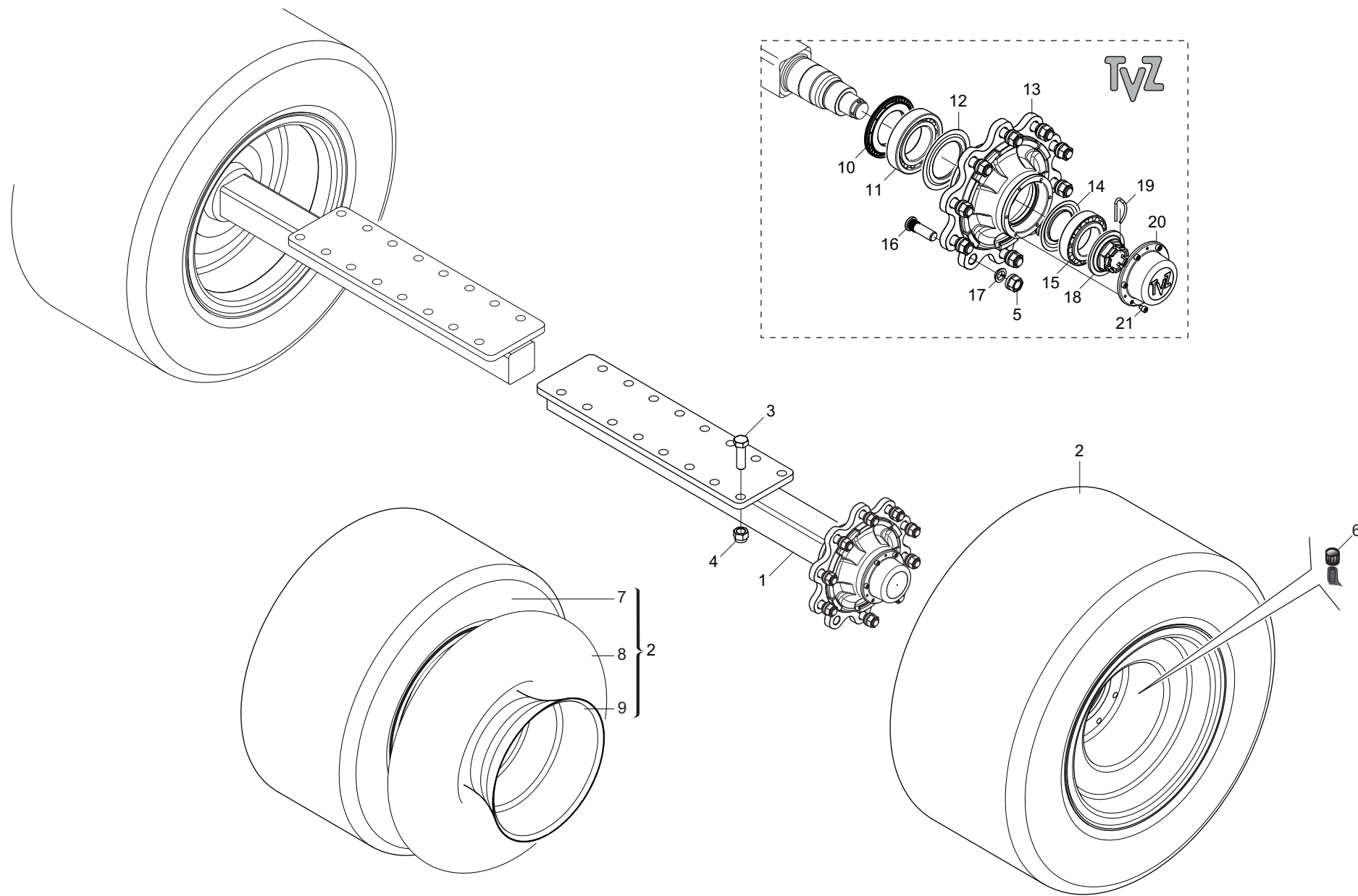
Pos.	Cod.	Descrizione	Description	Benennung	Description	Descripcion	Descriere
1	R18511590	ASSIEME SUPPORTO ROMPITRACCIA	SUPPORT ROWBRAKER	HALTERUNG SPURLOCKERERZINKEN	SUPPORT EFFACEUR DE TRACES	SOPORTE ROMPETRAZAS	ANSAMBLU SUPORT MARCATOR
2	R18511440	PIASTRA RINFORZO	BLADE REINFORCMENT	MESSER VERSTZRKUNG	LAMA RENFORCE	CUCHILLA REFORZO	PLACA INTARITURA
3	F01020341	VITE M24X3X180 U5737 8.8 ZN	SCREW M24X 3X180 U5737 8.8 ZN	TORNIL. M24X3X180 U5737 8.8 ZN	VIS M24X3X180 U5737 8.8 ZN	TORNIL. M24X3X180 U5737 8.8 ZN	SURUB M24X3X180 U5737 8.8 ZN
4	F01230144	DADO M24X 3 D982 8 ZN	NUT M24X 3 D982 8 ZN	MUTTER M24X 3 D982 8 ZN	ECROU M24X 3 D982 8 ZN	TUERCA M24X 3 D982 8 ZN	PIULITA M24X 3 D982 8 ZN
5	F20120340	MOLLA ROMPITRACCIA 30X30	WIPERMARK SPRING 30X30	FEDER ZEICHEN MATTE 30X30	RESSORT PAILLASS. TRACES 30X30	MUELLE LIMPIABARROS 30X30	ARC AFINARE URMA TRAC. 30X30
6	F20120014	VOMERE REVERSIBILE 40X16	REVERSIBILE COULTER 40X16	TEILEN REVERSIBLE 40X16	PARTAGER REVERSIBLE 40X16	COMPARTIR REVERSIBILE 40X16	BRAZDAR REVERSIBIL 40X16
7	F20120041	VITE M12X60	SCREW M12X60				
8	F01220048	DADO M12X1,75 D980 8 ZN	NUT M12X1,75 D980 8 ZN	SCHEIBE M12X1,75 D980 8 ZN	ECROU M12X1,75 D980 8 ZN	TUERCA M12X1,75 D980 8 ZN	PIULITA M12X1,75 D980 8 ZN
9	F01020322	VITE M20X2,5X190 5737 10.9 ZN	BOLT M20X2,5X190 5737 10.9 ZN	SCHRA.M20X2,5X190 5737 10.9 ZN	VIS M20X2,5X190 5737 10.9 ZN	TORN. M20X2,5X190 5737 10.9 ZN	SURUB M20X2,5X190 5737 10.9 ZN
10	F01220092	DADO M20X 2,5 D980 8 ZN	NUT M20X 2,5 D980 8 ZN	MUTTER M20X 2,5 D980 8 ZN	ECROU M20X 2,5 D980 8 ZN	TUERCA M20X 2,5 D980 8 ZN	PIULITA M20X 2,5 D980 8 ZN
11	R18515700	PIASTRA ATTACCO ROMPITRACCIA	BLADE COUPLING ERADICATOR	MESSER KUPPLUNG SPURLOCKERER	LAMA FIXAT.DENTS EFFACE TRACES	CUCHILLA FIJACION BORRAHUELLAS	PLACA PRINDERE SCORMONITORI
12	F01020256	VITE M16X 2X60 U5737 8.8 ZN	BOLT M16X2X60 U5737 8.8 ZN	SCHRAUBE M16X2X60 U5737 8.8 ZN	VIS M16X 2X60 U5737 8.8 ZN	TORNILLO M16X2X60 U5737 8.8 ZN	SURUB M16X 2X60 U5737 8.8 ZN
13	F01230085	DADO M16X 2 D982 8 ZN	NUT M16X 2				



## TIMONE / DRAWBAR / RUDER / TIMON / TIMON / CÂRMĂ

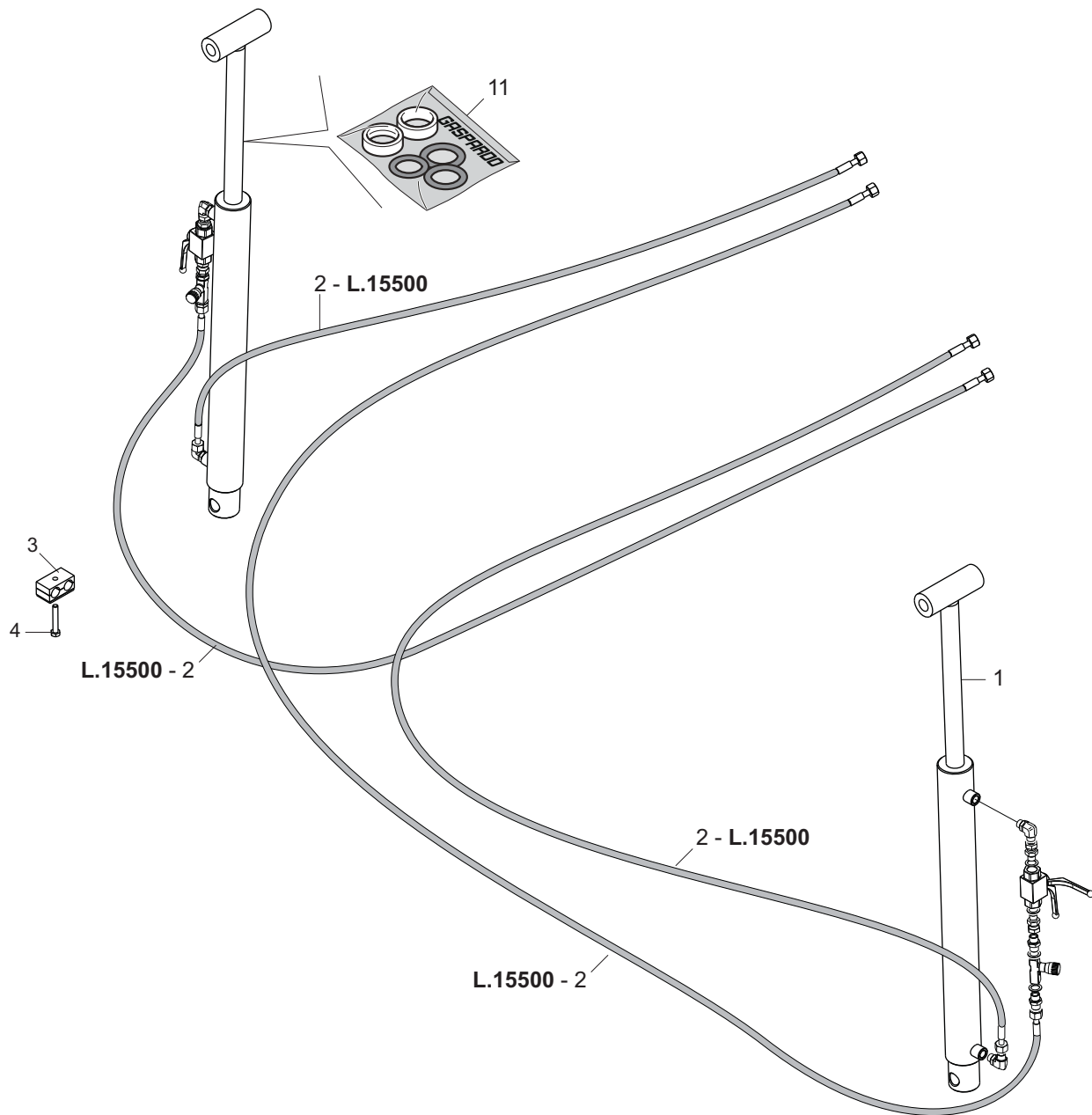
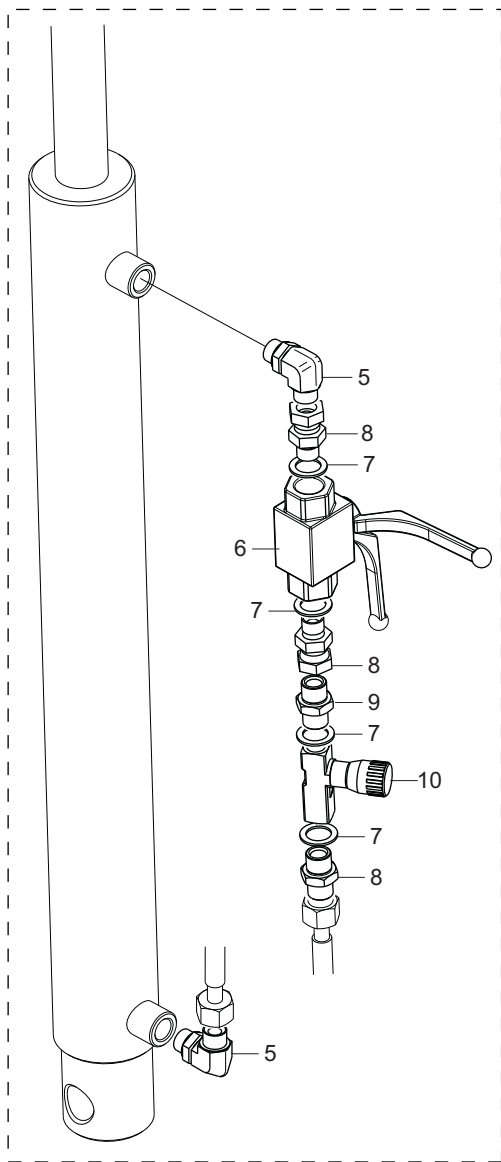
Pos.	Cod.	Descrizione	Description	Benennung	Description	Descripcion	Descriere
1	R18516260	GANCIO SUPPORTO CAVO SICCUR.	SUPPORT HOOK SAFETY CABLE	HACKEN HALTERUNG KABEL	CROCHET SUPPORT CABLE SECURITE	GANCHO SOPORTE CABLE SEGURIDAD	CARLING SUPORT CABLU SIGURANTA
2	F01020470	VITE M10X1,5X20 U5739 8.8 ZN	BOLT M10X1,5X20 U5739 8.8 ZN	SCHRAUBE M10X1,5X20 U5739 ZN	VIS M10X1,5X20 U5739 8.8 ZN	TORNILLOM10X1,5X20 U5739 8.8ZN	
3	F01420060	ROS.M10 10,5X 30X2,5 U6593 ZG	WASHER 10,5X30	SCHEIBE 10,5X30	RONDELLE 10,5X30	ARANDELA 10,5X30	SAIBA M10 10.5X30 U6593 ZN
4	R18510501	SUPPORTO SICPUREZZE	SUPPORT SAFETY	HALTERUNG SICHERHEIT	SUPPORT SECURITE	SOPORTE SEGURIDAD	SUPPORT SIGURANTE
5	F02200260	COPIGLIA 8X 60 U1336 ZN	SPLIT PIN 8 X60 1336 ZN	SPLINT 8 X60 1336 ZN	GOUPILLE 8 X60 1336 ZN	PASADOR 8 X60 1336 ZN	SPLINT 8 X60 1336 ZN
6	R18512561	ANS BLOCARE BRATE LATERLE	ANS LOCK SIDE ARM				
7	R18513040	PERNO D.20 L=45	BOLT D.20 L=45	BOLTZEN D.20 L=45	BOULON D.20 L=45	PERNO D.20 L=45	BOLT D.20 L=45
8	F01410124	ROS.M20 21X 37X 3 U6592 ZN	ARANDELA M20 21X37X3 U6592 ZN				
9	F02200229	COPIGLIA 5X 45 U1336 ZN	SPLIT PIN 5X 45 U1336 ZN	SPANNSTIFT 5X 45 U1336 ZN	GOUPILLE 5X 45 U1336 ZN	PASADOR 5X 45 U1336 ZN	SPLINT 5X 45 U1336 ZN
10	R17810440	PERNO D20 L105 ZN	BOLT D20 L105 ZN	BOLZEN D20 L105 ZN	BOULON D20 L105 ZN	PERNO D20 L105 ZN	BOLT D20 L105 ZN
11	F02200507	SPINA A SCATTO D 9 B/83	SNAP PIN D9 B/83 ZN	EINRASTSTIFT D9 B/83 ZN	FICHE A DETENTE D9 B/83 ZN	CLAVIJA DE MUELLE D9 B/83 ZN	STIFT RESORT D9 B/83 ZN
12	F01410147	ROSETTA M24 25X44X4 U6592 ZN	WASHER M24 25X44X4 U6592 ZN	SCHEIBE M24 25X44X4 U6592 ZN	RONDELLA M24 25X44X4 U6592 ZN	ARANDELLA M24 25X44X4 U6592 ZN	SAIBA M24 25X44X 4 U6592 ZN
13	R18515792	TIMONE METRO	RUDDER METRO	RUDDER METRO	GOVERNAIL METRO	TIMEN METRO	TIMONA METRO
14	F01020330	VITE M20X 2,5X75 U5737 8.8 ZN	BOLT M20X 2,5X 75 U5737 8.8 ZN	SCHRAUBE M20X 2,5X 75 U5737	VIS M20X 2,5X 75 U5737 8.8 ZN	TORNILLO M20X 2,5X 75 U5737 ZN	SURUB M20X2,5X 75 U5737 8.8 ZN
15	F01230131	DADO M20X 2,5 D982 6 ZN	NUT M20X 2,5 D982 6 ZN	MUTTER M20X 2,5 D982 6 ZN	ECROU M20X 2,5 D982 6 ZN	TUERCA M20X 2,5 D982 6 ZN	PIULITA M20X 2,5 D982 6 ZN
16	R18516280	CATENA D14 L1500 ZN	CHAIN D14 L1500 ZN	KETTEN D14 L1500 ZN	CHAINE D14 L1500 ZN	CADENA D14 L1500 ZN	LANT D14 L1500 ZN
17	F02250664	GRILLO D16 U1947C ZN	GRILLETE DA 5/8 ZN				
18	F02350057	OCCHIONE D50 RIGIDO 145X145	TOWING EYE 145X145 D50 D9678FL	ZUGOSEN 145X145 D.50 D9678 FL	ANNEAUX 145X145 D.50 D9678 FL	ARGOLLA DE ENGANCHE 145X145	CUPLA OCHI D50 RIGIDA 145X145
19	F01430106	ROS.M20 ZIGR.'SCHNOTZ' Z	WASHER M20 ZIGR.'SCHNOTZ' Z	SCHEIBE M20 ZIGR. "SCHNOTZ" Z	RONDELLA M20 "SCHNOTZ"	ARANDELLA M20 ZIGR. "SCHNOTZ"	SAIBA M20 ZIGR. "SCHNOTZ" Z
20	G63127004	CORDA ACCIAIO D10 114F ISO2408	ROPE STEEL D10 114F ISO2408	SEIL STALH D10 114F ISO2408	CORDE ACIER D10 114F ISO2408	CUERDA ACERO D10 114F ISO2408	COARDA OTEL D10 114F ISO2408
21	F02250723	REDANCE PER CORDA DA 10 ZN	WIRE ROPE THIMBLES D10 ZN	KAUSCHEN VERZINKT D10 ZN	COSSES PUOR CABLE D10 ZN	OJAL PORTACABLE D10 ZN	GHIDAJ CABLU TRACTIUNE D.10 ZN
22	F02200796	MORSETTO CAVAL. X FUNE D.10 ZN	WIRE ROPE CLIPS D.10 ZN	SEILKLEMMEN VERZINKT D10	SERRE-CABLE D10 ZN	BORNES A HORQUILLA DE BLOQUE	BRIDA BLOCARE CABLU D10 ZN
23	F02250722	TIRANTE 2 OCCHI M16 ZN	TIE-ROD 2 EYE M16 ZN	ZUGSTANGE 2 AUGEN M16 ZN	TRINGLE 2 YEUX M16 ZN	TIRANTE 2 OJOS M16 ZN	TIRANT 2 OCHI M16 ZM
24	F01020315	VITE M20X2,5X120 U5737 8.8 ZN	BOLT M20X2,5X120 U5737 8.8 ZN	SCHR. M20X2,5X120 U5737 8.8 ZN	VIS M20X2,5X120 U5737 8.8 ZN	TORN. M20X2,5X120 U5737 8.8 ZN	SURUB M20X2,5X120 U5737 8.8 ZN
25	F01220092	DADO M20X 2,5 D980 8 ZN	NUT M20X 2,5 D980 8 ZN	MUTTER M20X 2,5 D980 8 ZN	ECROU M20X 2,5 D980 8 ZN	TUERCA M20X 2,5 D980 8 ZN	PIULITA M20X 2,5 D980 8 ZN
26	R18516530	PIASTRA DISTANZ. D100 D53 L15	SPACER PLATE D100 D53 L15	MESSER ABSTANDST. D100 D53 L15	LAME ENTRETOISE D100 D53 L15	CUCCHILA DIST. D100 D53 L15	PLACA DISTANTIER D100 D53 L15
27	R18516870	PLACA CARLIG	PLACA CARLIG				
28	F01020256	VITE M16X 2X60 U5737 8.8 ZN	BOLT M16X2X60 U5737 8.8 ZN	SCHRAUBE M16X2X60 U5737 8.8 ZN	VIS M16X 2X60 U5737 8.8 ZN	TORNILLO M16X2X60 U5737 8.8 ZN	SURUB M16X 2X60 U5737 8.8 ZN
29	F01410100	ROS.M16 17X 30X 3 U6592 ZN	WASHER M16 17X30X3 U6592 ZN				
30	F01230085	DADO M16X 2 D982 8 ZN	NUT M16X 2				





## CARRELLO / TROLLEY / CART / CHARIOT / CARRITO / CĂRUCIOR

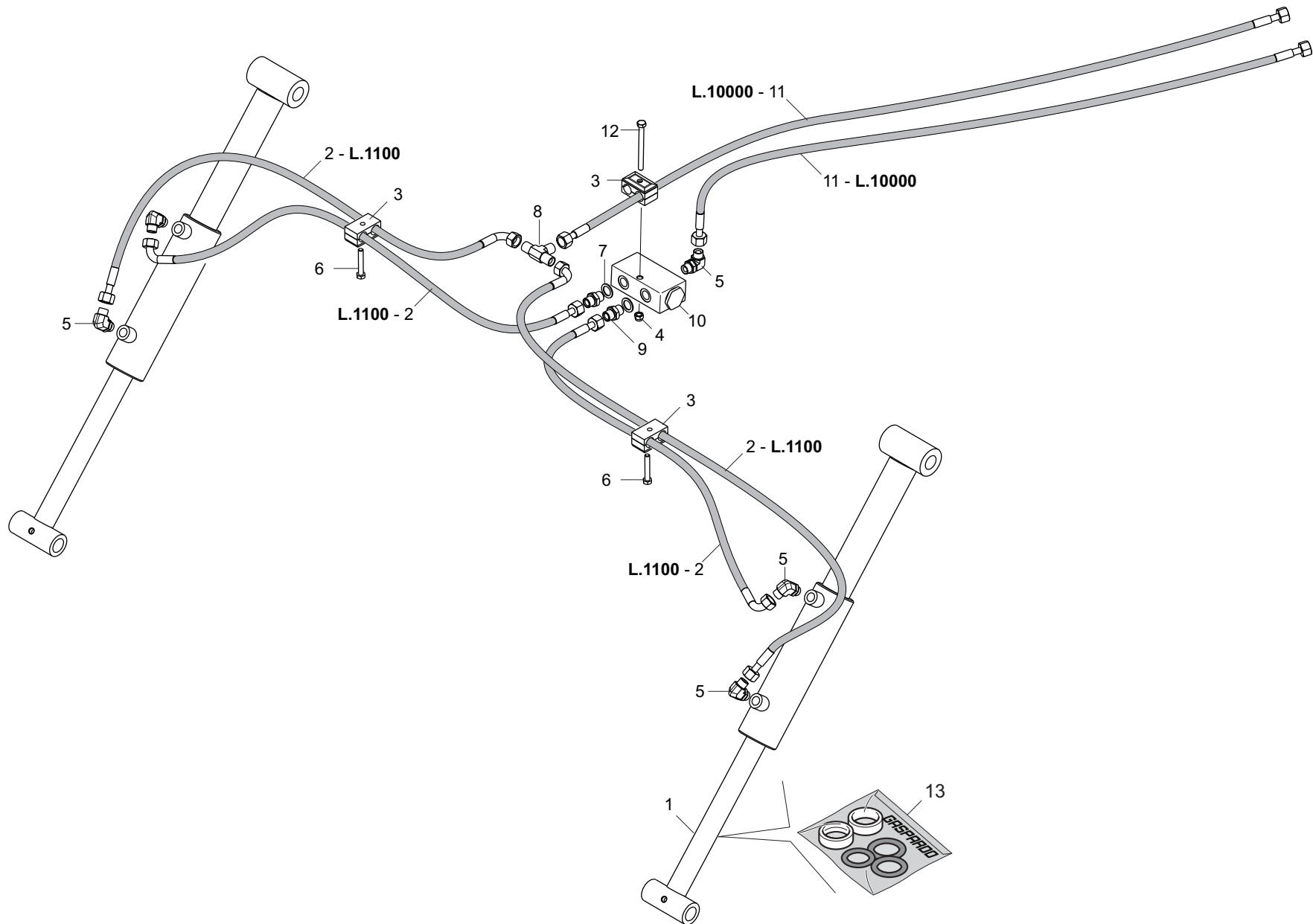
Pos.	Cod.	Descrizione	Description	Benennung	Description	Descripcion	Descriere
1	R18513431	ASSE RUOTA	AX WHEEL	AX TIEFENRAD	AX ROUE	AX RUEDA	AX ROATA
2	F06120244	RUOTA COMPL.550/60-22,5	COMPL.WHEEL 550/60-22,5				
3	F01020346	VITE M24X3X85 U5737 8.8 ZN	SCREW M24X3X85 U5737 8.8 ZN	SCHRAUBE M24X3X85 U5737 8.8 ZN	VIS M24X3X85 U5737 8.8 ZN	TORNILLO M24X3X85 U5737 8.8 ZN	SURUB M24X3X85 U5737 8.8 ZN
4	F01230144	DADO M24X 3 D982 8 ZN	NUT M24X 3 D982 8 ZN	MUTTER M24X 3 D982 8 ZN	ECROU M24X 3 D982 8 ZN	TUERCA M24X 3 D982 8 ZN	PIULITA M24X 3 D982 8 ZN
5	F01250064	DADO COLON. 22X1,5 ZN	NUT COLON. 22X1,5 ZN	SCHRAUBBOLZENMUTTER 22X1,5 ZN	ECROU COLONNETTE 22X1,5 ZN	TUERCA COLUMNA 22X1,5 ZN	PIULITA FLANG. 22X1,5 ZN
6	F05050025	CAPPELLOTTO PROTEZ. X VALV.PVC	PROTECTION CAP PVC X VALVA	SCHUTZKAPPE PVC X VENTIL	CAPUCHON PROTECION PVC X VALVA	TAPA PROTECION PVC X VALVA	CAPAC PROTECTIE PVC X VALVA
7	F06120447	COPERTURA 550/60-22,5	TYRE 550/60 - 22,5	REIFEN 550/60 - 22,5	PNEU 550/60 - 22,5	CAJA 550/60 - 22,5	CAUCIUC 550/60-22,5
8	F06120448	CAMERA X RUOTA 22,5/60	RUBBER INNER X WHEEL 22,5/60	LUFTSCHLAUCH X REIFEN 22,5/60	CHAMBRE A ARIA X PNEU 22,5/60	CAMARA DE ARIE X RUEDA 22,5/60	CAMERA X ROATA 22,5/60
9	F06120446	CERCHIO 22,5 10F	RIM 22,5 10HOLES	FELGEN 22,5 10F	JANTE 22,5 10F	PLATOS RUEDA 22,5 10F	JANTA 22,5 10GAURI
10	G68200005	ANELLO DI TENUTA	OIL SEAL	RING TA	BAGUE TA	ANILLO TA	INEL TA
11	G68200023	CUSCINETTO 32217	BEARING 32217	LAGER 32217	PALIER 32217	COJINETE 32217	RULMENT 32217
12	G68200013	ANELLO DI TENUTA 32217	OIL SEAL 32217	RING 32217	BAGUE TA 32217	ANILLO 32217	INEL TA 32217
13	G68200035	MOZZO	HUB	KUPPLUNG	EMBAYAGE	FRICCION	BUTUC
14	G68200010	ANELLO DI TENUTA 32214	OIL SEAL 32214	RING TA 32214	BAGUE TA 32214	ANILLO TA 32214	INEL T.A. 32214
15	G68200020	CUSCINETTO 32214	BEARING 32214	LAGER 32214	PALIER 32214	COJINETE 32214	RULMENT 32214
16	G68200026	VITE COLONNETA M22X1,5	BOLT M22X1,5	SCHRAUBE M12X1,5	VIS COLONETA M22X1,5	TORNILLO COLONETA M22X1,5	SURUB COLONETA M22X1,5
17	G68200003	RONDELLA GROWER D.22,5	WASHER G. D.22,5	SCHEIBE G. D.22,5	RONDELLE G. D.22,5	ARANDELLA G. D.22,5	SAIBA GROWER D.22,5
18	G68200033	DADO CORONA M48X1,5	NUT CORONA M48X1,5	KRONENMUTTER M48X1,5	ECROU COURONNE M48X1,5	TUERCA A CORONA M48X1,5	PIULITA CU COROANA M48X1,5
19	G68200002	SPINA X DADO M48	PIN X NUT M48	STIFT X MUTTER M48	BROCHE X ECROU M48	CLAVIJA X TUERCA M48	STIFT ARC X PIULITA M48
20	G68200019	COPERCHIO D.125 MOZZO	HUB LID D.125	LID KUPPLUNG D.125	COUVERCLE EMBAYAGE D.125	TAPA FRICCION D.125	CAPAC BUTUC D.125
21	G68200039	VITE ESAG. M8X1,5	BOLT HEXAGONAL M8X1,5	SCHARUBE HEXAGONAL M8X1,5	VIS ESAG. M8X1,5	TORNILLO ESAG. M8X1,5	SURUB HEXAGONAL M8X1,5



**IMPIANTO IDRAULICO SEGNAFILE / HYDRAULIC SYSTEM ROW MARKER /  
HYDRAULISCHEN ANZUG SPURANGEIZER / INSTALLATION HYDRAULIQUE TRACEUR /  
INSTALACION HIDRAULICA MARCADOR / INSTALAȚIE HIDRAULICĂ MARCATOR**

TAV. 071

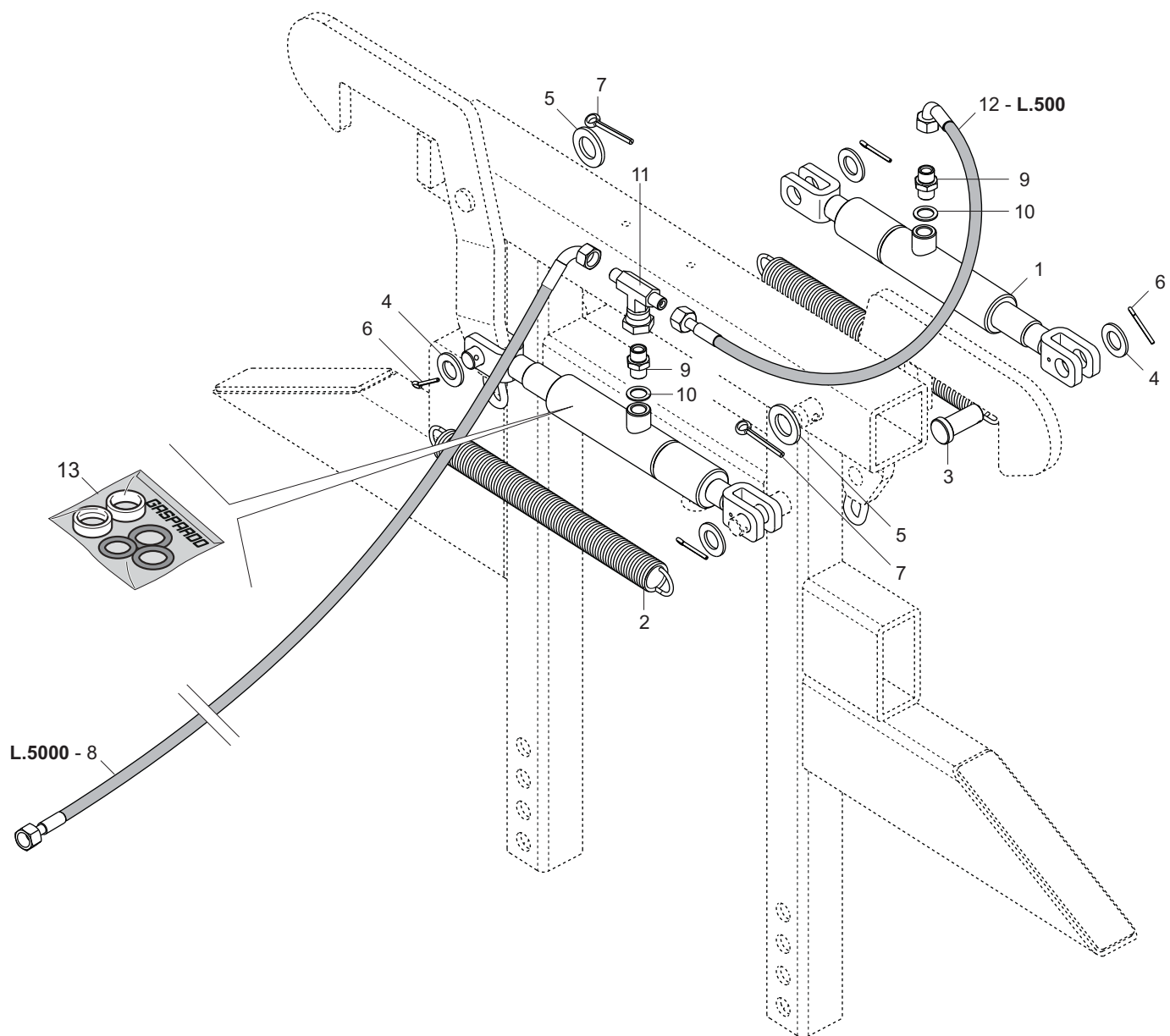
Pos.	Cod.	Descrizione	Description	Benennung	Description	Descripcion	Descriere
1	R18512810	CILINDRO D70 C530 S30 A60	CYLINDER D70 C530 S30 A60	ZYLINDER D70 C530 S30 A60	CILINDRE D70 C530 S30 A60	CILINDRO D70 C530 S30 A60	CILINDRU D70 C530 S30 A60
2	F03050586	TUBO 1/4R2 F3/8-F3/8 L.15500	TUBE 1/4R2 F3/8-F3/8 L.15500	ROHR 1/4R2 F3/8-F3/8 L.15500	TUBE 1/4R2 F3/8-F3/8 L.15500	TUBO 1/4R2 F3/8-F3/8 L.15500	TUB 1/4R2 F3/8-F3/8 L.15500
3	F02350061	COLLARE FERMA 2 TUBI D.15 >	STOP COLLAR 2 TUBES D.15				
4	F01020452	VITE M8X1,25X50 U5739 8.8 ZN	BOLT M8X1,25X50 U5739 8.8 ZN	SCHRA. M8X1,25X50 U5739 8.8 ZN	VIS M8X1,25X50 U5739 8.8 ZN	TORN. M8X1,25X50 U5739 8.8 ZN	SURUB M8X1,25X50 U5739 8.8 ZN
5	F03150841	ADATTATORE 90° 3/8"	ADAPTER 90° 3/8" M-M	ANSCHLUSST 90° 3/8"	RACCORD 90° 3/8"	UNIN 90° 3/8"	ADAPTOR 90° 3/8"
6	F03151246	RUBINETTO F-F 3/8	BREATHER TAP F-F 3/8	ENTLFTUNGSPFROPFEN F-F 3/8	BOUCHON REFOUL. F-F 3/8	TAPON PURGADOR F-F 3/8	ROBINET F-F 3/8
7	F03100023	ROS. 17 X23X1,5 RAME -3/8"	WASHER 17X23X1,5	SCHEIBE 17X23X1,5	RONDELLE 17X23X1,5	ARANDELA 17X23X1,5	SAIAB SIGUR. 17X23X1,5
8	F03150067	NIPPLO MF GIREVOLE 3/8 ZG CIL	NIPPLE M-F REVOLVING 3/8 ZN	NIPPLE M-F DREHBAR 3/8 ZN	NIPPLE M-F TOURNER 3/8 ZN	NIPPLE M-F VUELTA 3/8 ZN	NIPLU M-F ROTITOR 3/8 ZN
9	F03150321	NIPPLO MM CIL-CIL 3/8-3/8 ZG	NIPPLE MM CIL-CIL 3/8-3/8 ZN	NIPPLEZYL MM 3/8-3/8 ZN	NIPPLE MM CIL-CIL 3/8-3/8 ZN	NIPLE MM CIL-CIL 3/8-3/8 ZN	NIPLU MM CIL-CIL 3/8-3/8 ZN
10	F03150595	VALVOLA REG.BID.VRFB90 F-F 3/8	FLOW CONTR.VALVE VRFB F-F 3/8	FLUSSREGELVENTIL VRFB90 F-F3/8	VALVE REG. BID. VRFB F-F 3/8	VALVULA REG.BID VRFB F-F 3/8	VALVA REG.BID.VRFB90 F-F 3/8
11	F03100250	>KIT GUAR.CILINDRO R18512810	KIT O-RING CYLINDER R18512810				



**IMPIANTO IDRAULICO ROMPIRACCA / HYDRAULIC SYSTEM ERADICATOR /  
 HYDRAULISCHEN ANZUG SPURLOCKERER / INSTALLATION HIDRAULIQUE DENTS EFFACE TRACES /  
 INSTALACION HIDRAULICA BORRAHUELLAS / INSTALAȚIE HIDRAULICĂ SCORMONITOR**

TAV. 081

Pos.	Cod.	Descrizione	Description	Benennung	Description	Descrpcion	Descriere
1	R18512800	CILINDRO D70 C200 S35 A60	CYLINDER D70 C200 S35 A60	ZYLINDER D70 C200 S35 A60	CILINDRE D70 C200 S35 A60	CILINDRO D70 C200 S35 A60	CILINDRU D70 C200 S35 A60
2	F03050584	TUBO 1/4R2 F3/8-CF3/8 L.1100	TUBE 1/4R2 F3/8-CF3/8 L.1100	ROHR 1/4R2 F3/8-CF3/8 L.1100	TUBE 1/4R2 F3/8-CF3/8 L.1100	TUBO 1/4R2 F3/8-CF3/8 L.1100	TUB 1/4R2 F3/8-CF3/8 L.1100
3	F02350061	COLLARE FERMA 2 TUBI D.15 >	STOP COLLAR 2 TUBES D.15				
4	F01230034	DADO M 8X1,25 D982 8	LOCK NUT M8X1,25 D982 8 ZN				
5	F03150841	ADATTATORE 90° 3/8"	ADAPTER 90° 3/8" M-M	ANSCHLUSST 90° 3/8"	RACCORD 90° 3/8"	UNIN 90° 3/8"	ADAPTOR 90° 3/8"
6	F01020452	VITE M8X1,25X50 U5739 8.8 ZN	BOLT M8X1,25X50 U5739 8.8 ZN	SCHRA. M8X1,25X50 U5739 8.8 ZN	VIS M8X1,25X50 U5739 8.8 ZN	TORN. M8X1,25X50 U5739 8.8 ZN	SURUB M8X1,25X50 U5739 8.8 ZN
7	F03100023	ROS. 17 X23X1,5 RAME -3/8"	WASHER 17X23X1,5	SCHEIBE 17X23X1,5	RONDELLE 17X23X1,5	ARANDELA 17X23X1,5	SAIAB SIGUR. 17X23X1,5
8	F03151220	RACORDO -T- MASCHIO 3/8 ZN	MALE T-UNION 3/8 ZN	ANSCHLUSSTsCK-T-GEWINDE 3/8 ZN	RACCORD -T- MALE 3/8 ZN	UNION -T-MACHO 3/8 ZN	RACORD -T- TATA 3/8 ZN.
9	F03150321	NIPPLIO MM CIL-CIL 3/8-3/8 ZG	NIPPLE MM CIL-CIL 3/8-3/8 ZN	NIPPLEZYL MM 3/8-3/8 ZN	NIPPLE MM CIL-CIL 3/8-3/8 ZN	NIPLE MM CIL-CIL 3/8-3/8 ZN	NIPLU MM CIL-CIL 3/8-3/8 ZN
10	F03151146	DIVISORE FLUSSO RIUNIF.3/8-24	REUNITED FLOW DIVIDER 3/8-24	FLUSSTEILER 3/8-24	DIVISEUR FLUX UNIF. 3/8-24	DIVISOR FLUJO REUNIF.3/8-24	DIVIZOR FLUX REUNIFICAT 3/8-24
11	R18516140	TR 2SN 3/8" FD3/8 F903/8 10000	TR 2SN 3/8" FD3/8 F903/8 10000	TR 2SN 3/8" FD3/8 F903/8 10000	TR 2SN 3/8" FD3/8 F903/8 10000	TR 2SN 3/8" FD3/8 F903/8 10000	TR 2SN 3/8" FD3/8 F903/8 10000
12	F01020088	VITE M8X1,25X90 U5737 8.8 ZN	BOLT M8X1,25X90 U5737 8.8 ZN	SCHR.M8X1,25X90 U5737 8.8 ZN	VIS M8X1,25X90 U5737 8.8 ZN	TORN. M8X1,25X90 U5737 8.8 ZN	SURUB M8X1,25X90 U5737 8.8 ZN
13	F03100251	KIT GUAR.CILIND. R18512800/810	KIT O-RING CYLINDER R18512800				

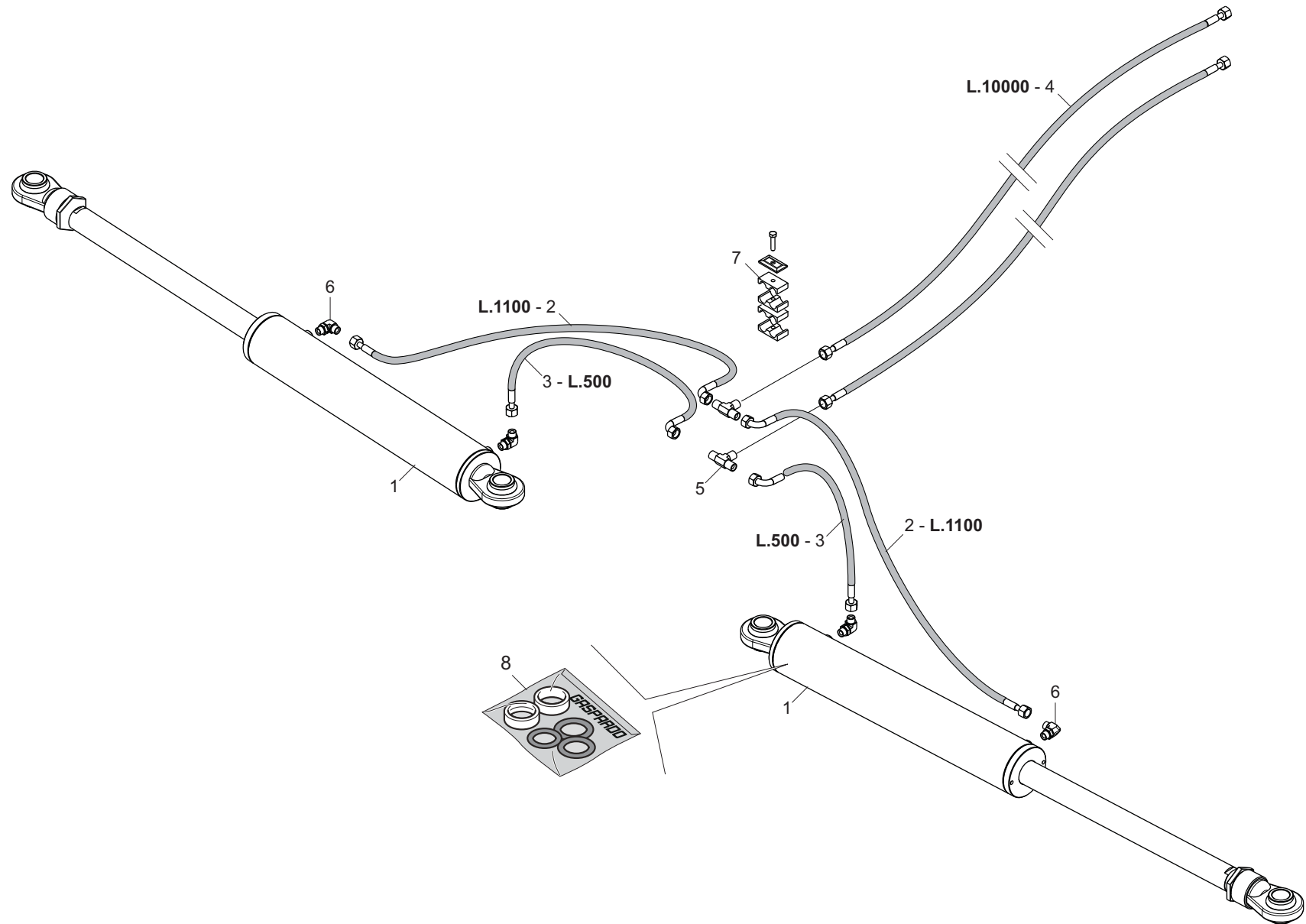




**IMPIANTO IDRAULICO BLOCAGGIO LATERALI / HYDRAULIC SYSTEM THE SAFETY DEVICE OF THE SIDE SECTIONS / HYDRAULISCHEN ANZUG BLOCKIEREN SEITE / INSTALLATION HIDRAULIQUE BLOCAGE COTE / INSTALACION HIDRAULICA BLOQUEO LADO / INSTALAȚIE HIDRAULICĂ BLOCAJ LATERALE**

TAV. 091

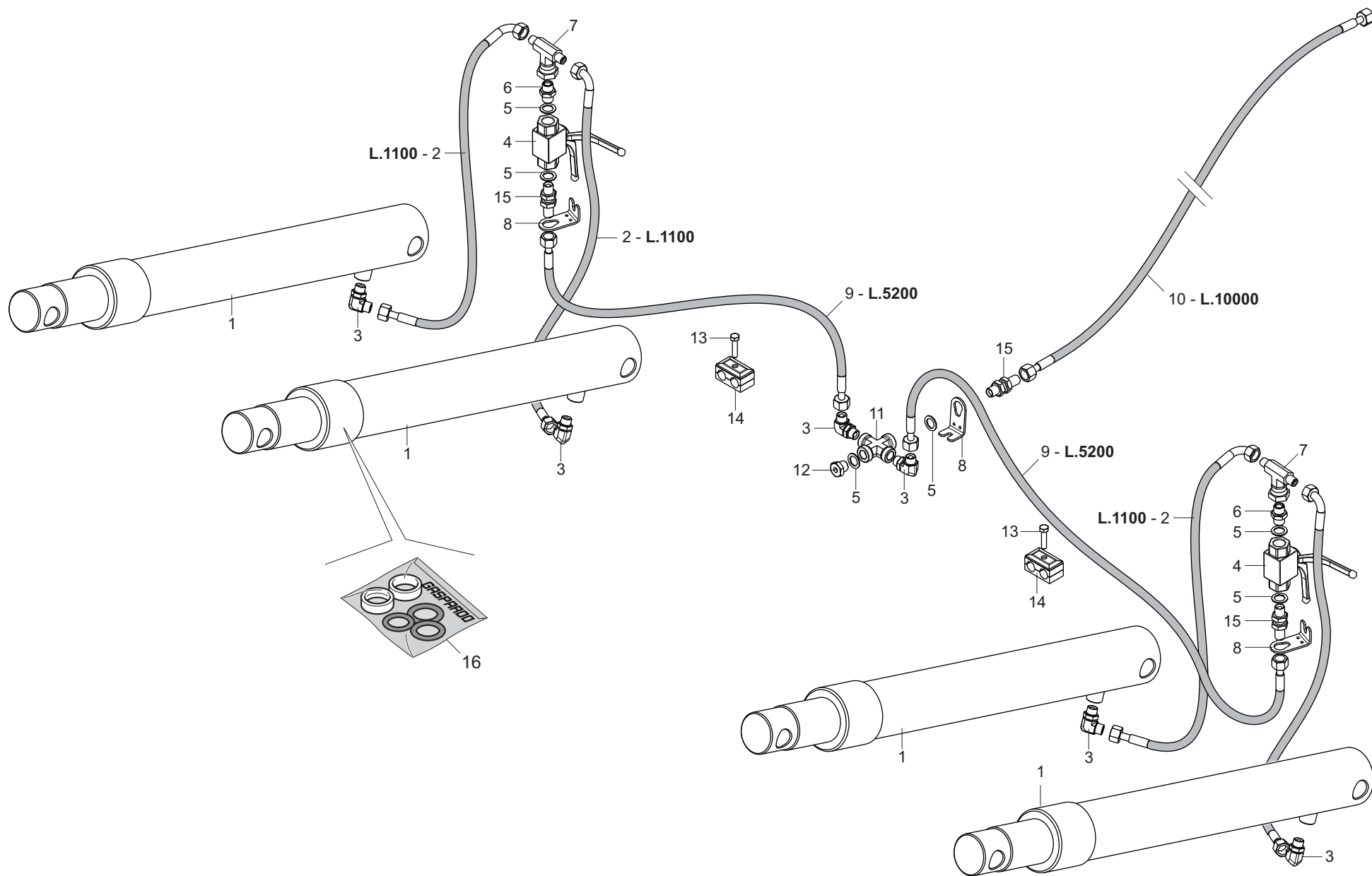
Pos.	Cod.	Descrizione	Description	Benennung	Description	Descrpcion	Descriere
1	R18512770	CILINDRO L410 C70 D45 S30	CYLINDER L410 C70 D45 S30	ZYLINDER L410 C70 D45 S30	CILINDRE L410 C70 D45 S30	CILINDRO L410 C70 D45 S30	CILINDRU L410 C70 D45 S30
2	G65337040	MOLLA TRAZ.ELEMENTO MT600	TRACTION SPRING MT600	ZUGFEDER ELEMENT MT600	RESSORT TRACT. ELEMENT MT600	MUELLE TRACC. ELEMENTO MT600	ARC TRAC. ELEMENT MT600
3	F20100035	PERNO D19 L90 C43	BOLT D19 L86 C43 ZN	BOLZEN D19 L86 C43	BOULON D19 L86 C43	PERNO D19 L86 C43	BOLT D19 L86 C43 ZN
4	F01410124	ROS.M20 21X 37X 3 U6592 ZN	ARANDELA M20 21X37X3 U6592 ZN				
5	F01410147	ROSETTA M24 25X44X4 U6592 ZN	WASHER M24 25X44X 4 U6592 ZN	SCHEIBE M24 25X44X4 U6592 ZN	RONDELLA M24 25X44X4 U6592 ZN	ARANDELLA M24 25X44X4 U6592 ZN	SAIBA M24 25X44X 4 U6592 ZN
6	F02200195	COPIGLIA 4X 30 U1336 ZN	SPLIT PIN 4 X30 U1336 ZN	SPLINT 4 X30 U1336 ZN	GOUPILLE 4 X30 U1336 ZN	CLAVIJA 4 X30 U1336 ZN	SPLINT 4 X30 1336 ZB
7	F02200246	COPIGLIA 6X 45 U1336 ZN	PIN 6 X45 U1336 ZN	SPLINT 6 X45 U1336 ZN	GOUPILLE 6 X45 U1336 ZN	CLAVIJA 6 X45 U1336 ZN	SPLINT 6 X45 U1336 ZN
8	F03050421	TR 2SN 3/8" FD3/8 F903/8 5000	TR 2SN 3/8" FD3/8 F903/8 5000				
9	F03150321	NIPPLO MM CIL-CIL 3/8-3/8 ZG	NIPPLE MM CIL-CIL 3/8-3/8 ZN	NIPPLEZYL MM 3/8-3/8 ZN	NIPPLE MM CIL-CIL 3/8-3/8 ZN	NIPLE MM CIL-CIL 3/8-3/8 ZN	NIPLU MM CIL-CIL 3/8-3/8 ZN
10	F03100023	ROS. 17 X23X1,5 RAME -3/8"	WASHER 17X23X1,5	SCHEIBE 17X23X1,5	RONDELLE 17X23X1,5	ARANDELA 17X23X1,5	SAIAB SIGUR. 17X23X1,5
11	F03151221	RACCORDO -T- M-FG-M 3/8' ZN	CONNECTOR T- M-FG-M 3/8' ZN	ANSCHLUSSTSCK-T-M-FG-M 3/8 ZN	RACCORD -T- M-FG-M 3/8 ZN	UNION -T- M-FG-M 3/8 ZN	RACORD T M-FG-M 3/8 ZN
12	F03050585	TUBO 1/4R2 F3/8-CF3/8 L.500	PIPE 1/4R2 F3/8-CF3/8 L.500	ROHR 1/4R2 F3/8-CF3/8 L.500	TUBE 1/4R2 F3/8-CF3/8 L.500	TUBO 1/4R2 F3/8-CF3/8 L.500	TUB 1/4R2 F3/8-CF3/8 L.500
13	F03100252	KIT GARNITURI CILIN. R18512770	KIT O-RING CYLINDER R18512770				



**IMPIANTO IDRAULICO ALI LATERALI / HYDRAULIC SYSTEM OF THE SIDE SECTIONS /  
HYDRAULISCHEN ANZUG FLUGEL SEITE / INSTALLATION HIDRAULIQUE AILES COTE /  
INSTALACION HIDRAULICA ALAS LADO / INSTALAȚIE HIDRAULICĂ CADRE LATERALE**

TAV. 101

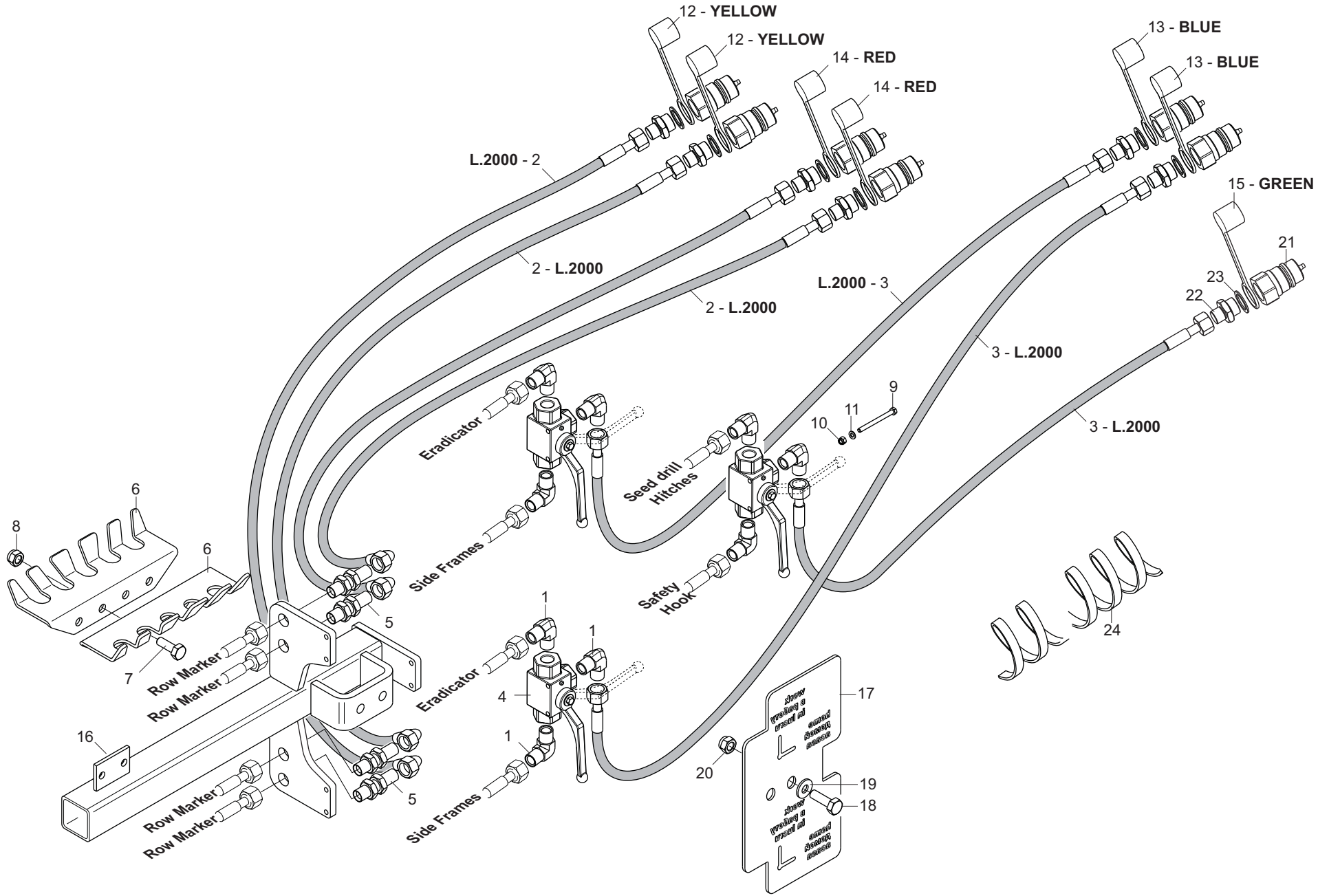
Pos.	Cod.	Descrizione	Description	Benennung	Description	Descripcion	Descriere
1	R17210811	CILINDRO L908 C429 D100 S50	CYLINDER L908 C429 D100 S50				
2	F03050584	TUBO 1/4R2 F3/8-CF3/8 L.1100	TUBE 1/4R2 F3/8-CF3/8 L.1100	ROHR 1/4R2 F3/8-CF3/8 L.1100	TUBE 1/4R2 F3/8-CF3/8 L.1100	TUBO 1/4R2 F3/8-CF3/8 L.1100	TUB 1/4R2 F3/8-CF3/8 L.1100
3	F03050585	TUBO 1/4R2 F3/8-CF3/8 L.500	PIPE 1/4R2 F3/8-CF3/8 L.500	ROHR 1/4R2 F3/8-CF3/8 L.500	TUBE 1/4R2 F3/8-CF3/8 L.500	TUBO 1/4R2 F3/8-CF3/8 L.500	TUB 1/4R2 F3/8-CF3/8 L.500
4	R18516120	TR 2SN 3/8" FD3/8 FD3/8 10000	TR 2SN 3/8" FD3/8 FD3/8 10000	TR 2SN 3/8" FD3/8 FD3/8 10000	TR 2SN 3/8" FD3/8 FD3/8 10000	TR 2SN 3/8" FD3/8 FD3/8 10000	TR 2SN 3/8" FD3/8 FD3/8 10000
5	F03151220	RACORDO -T- MASCHIO 3/8 ZN	MALE T-UNION 3/8 ZN	ANSCHLUSSTsCK-T-GEWINDE 3/8 ZN	RACCORD -T- MALE 3/8 ZN	UNION -T-MACHO 3/8 ZN	RACORD -T- TATA 3/8 ZN.
6	F03150841	ADATTATORE 90° 3/8"	ADAPTER 90° 3/8" M-M	ANSCHLUSST 90° 3/8"	RACCORD 90° 3/8"	UNIN 90° 3/8"	ADAPTOR 90° 3/8"
7	F02350014	COLLARE FERMA 2 TUBI D.18	FIXING BLOCK 2 TUBE D.18	BEFESTIGUNGS-BLOCK 2 ROHR D18	BLOQUE DE FIXATION 2 TUBE D.18	FIJACION DE BLOQUE 2 TUB. D.18	BLOC DE FIXARE 2 TUBURI D.18
8	F03100240	KIT GARNITURI CILIN R17210811	KIT O-RING CYLINDER R1721081				



**IMPIANTO IDRAULICO ATTACCHI / HYDRAULIC SYSTEM SEED DRILL HITCH /  
HYDRAULISCHEN ANZUG ANGRIFFE / INSTALLATION HIDRAULIQUE ATTAQUES /  
INSTALACION HIDRAULICA ATAQUES / INSTALAȚIE HIDRAULICĂ ATAȘĂRI**

TAV. 111

Pos.	Cod.	Descrizione	Description	Benennung	Description	Descripcion	Descriere
1	R18512790	CILINDRO L900 C690 D90 S70	CYLINDER L900 C690 D90 S70	ZYLINDER L900 C690 D90 S70	CILINDRE L900 C690 D90 S70	CILINDRO L900 C690 D90 S70	CILINDRU L900 C690 D90 S70
2	F03050584	TUBO 1/4R2 F3/8-CF3/8 L.1100	TUBE 1/4R2 F3/8-CF3/8 L.1100	ROHR 1/4R2 F3/8-CF3/8 L.1100	TUBE 1/4R2 F3/8-CF3/8 L.1100	TUBO 1/4R2 F3/8-CF3/8 L.1100	TUB 1/4R2 F3/8-CF3/8 L.1100
3	F03150841	ADATTATORE 90° 3/8"	ADAPTER 90° 3/8" M-M	ANSCHLUSST 90° 3/8"	RACCORD 90° 3/8"	UNIN 90° 3/8"	ADAPTOR 90° 3/8"
4	F03151246	RUBINETTO F-F 3/8	BREATHER TAP F-F 3/8	ENTLsFTUNGSPFROPFEN F-F 3/8	BOUCHON REFOUL. F-F 3/8	TAPON PURGADOR F-F 3/8	ROBINET F-F 3/8
5	F03100023	ROS. 17 X23X1,5 RAME -3/8"	WASHER 17X23X1,5	SCHEIBE 17X23X1,5	RONDELLE 17X23X1,5	ARANDELA 17X23X1,5	SAIAB SIGUR. 17X23X1,5
6	F03150321	NIPPLIO MM CIL-CIL 3/8-3/8 ZG	NIPPLE MM CIL-CIL 3/8-3/8 ZN	NIPPLEZYL MM 3/8-3/8 ZN	NIPPLE MM CIL-CIL 3/8-3/8 ZN	NIPLE MM CIL-CIL 3/8-3/8 ZN	NIPLU MM CIL-CIL 3/8-3/8 ZN
7	F03151221	RACCORDO -T- M-FG-M 3/8' ZN	CONNECTOR T- M-FG-M 3/8' ZN	ANSCHLUSSTSCK-T-M-FG-M 3/8 ZN	RACCORD -T- M-FG-M 3/8 ZN	UNION -T- M-FG-M 3/8 ZN	RACCORD T M-FG-M 3/8 ZN
8	G16610240	STAFFA SENSORE UNIVERSALE ZN	GALVANIS. UNIVERSAL SENSOR BRA	UNIVERSAL SENSORHALTERUNG ZN	ETRIER CAPTEUR UNIVERSEL ZN	ABRAZADERA SENSOR UNIVERSAL ZN	BRIDA SENZOR UNIVERSAL ZN
9	G15316310	TUBO 3/8R2 F3/8- F3/8 L5200	PIPE 3/8R2 F3/8- F3/8 L5200	ROHR 3/8R2 F3/8- F3/8 L5200	TUBE 3/8R2 F3/8- F3/8 L5200	TUBO 3/8R2 F3/8- F3/8 L5200	TUB 3/8R2 F3/8- F3/8 L5200
10	R18516121	TUB. 1/2"R2 FD1/2 FD1/2 L.10000	TUBE 1/2"R2 FD1/2 FD1/2 L10000	ROHR 1/2"R2 FD1/2 FD1/2 L10000	TUBE 1/2"R2 FD1/2 FD1/2 L10000	TUB. 1/2"R2 FD1/2 FD1/2 L.10000	TUB 1/2"R2 FD1/2 FD1/2 L.10000
11	F03151202	RACCORDO A CROCE 3/8 FEM.	CROSS UNION 3/8' F.	KREUZST_CK 3/8" F.	RACCORD EN CROIX 3/8" F.	RACOR CRUCIFORME 3/8" H.	RACORD A CROCE 3/8" F.
12	F03011041	TAPPO CHIUSURA 3/8 0404713100	TAPN CIERRE 3/8 0404713100				
13	F01020452	VITE M8X1,25X50 U5739 8.8 ZN	BOLT M8X1,25X50 U5739 8.8 ZN	SCHRA. M8X1,25X50 U5739 8.8 ZN	VIS M8X1,25X50 U5739 8.8 ZN	TORN. M8X1,25X50 U5739 8.8 ZN	SURUB M8X1,25X50 U5739 8.8 ZN
14	F02350061	COLLARE FERMA 2 TUBI D.15 >	STOP COLLAR 2 TUBES D.15				
15	F05010484	PASSAPARETE 3/8M-3/8M	PASS WALL 3/8M-3/8M	WAND KABELFUEHRUNG 3/8M-3/8M	CLOISON 3/8M-3/8M	PASACABLES PARED 3/8M-3/8M	INEL TRECERE PERETE 3/8M-3/8M
16	F03100254	KIT GUARNIZ.CILINDRO R18512790	KIT O-RING CYLINDER R18512790				

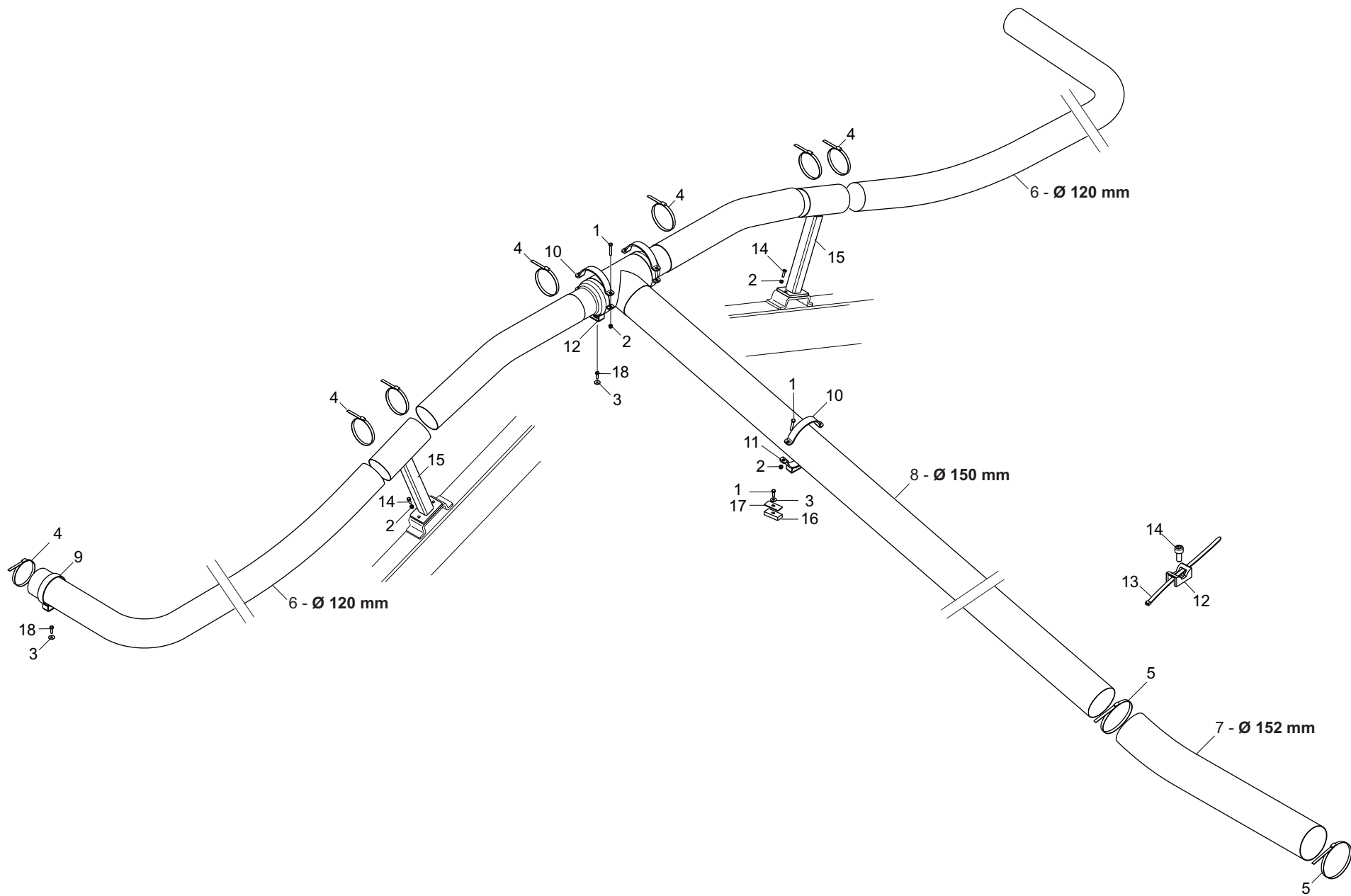


**IMPIANTO IDRAULICO PARTI COMUNI / HYDRAULIC SYSTEM COMMON PARTS /  
HYDRAULISCHEN ANZUG GEMEINSAME TEILE / INSTALLATION HIDRAULIQUE PARTIES COMMUNES /  
INSTALACION HIDRAULICA PARTES COMUNES / INSTALAȚIE HIDRAULICĂ PĂRȚI COMUNE**

TAV. 122

Pos.	Cod.	Descrizione	Description	Benennung	Description	Descripcion	Descriere
1	F03150841	ADATTATORE 90° 3/8"	ADAPTER 90° 3/8" M-M	ANSCHLUSS 90° 3/8"	RACCORD 90° 3/8"	UNIN 90° 3/8"	ADAPTOR 90° 3/8"
2	F03050591	TUBO 1/4R2 CF3/8-ATT.TR.L.2000	PIPE 1/4R2 CF3/8-ATT.TR.L.2000	ROHR 1/4R2 CF3/8-ATT.TR.L.2000	TUBE 1/4R2 CF3/8-ATT.TR.L.2000	TUBO 1/4R2 CF3/8-ATT.TR.L.2000	TUB 1/4R2 CF3/8-ATT.TR.L.2000
3	F03050593	TUB 3/8R2 F3/8-ATT.TR.L.2000	TUBE 3/8R2 F3/8-ATT.TR.L.2000				
4	F03151295	RUBINETTO A 3 VIE 3/8	TAP 3/8 3 WAY	HAHN 3/8 3 RICHTUNG	ROBINET 3/8 3 CHEMIN	GRIFO 3/8 3 CAMINO	ROBINET 3/8 CU 3 CAI
5	F05010484	PASSAPARETE 3/8M-3/8M	PASS WALL 3/8M-3/8M	WAND KABELFUEHRUNG 3/8M-3/8M	CLOISON 3/8M-3/8M	PASACABLES PARED 3/8M-3/8M	INEL TRECERE PERETE 3/8M-3/8M
6	G14217560	SUPPORTO 5 TUBI	5 PIPE SUPPORT	5 ROHR HALTERUNG	SUPPORT 5 TUBES	SOPORTE 5 TUBOS	SUPORT 5 TUBURI
7	F01040600	VITE M10X 30 U9327 8.8 ZN	BOLT M10X 30 U9327 8.8 ZN	SCHRAUBE M10X 30 U9327 8.8 ZN	VIS M10X 30 U9327 8.8 ZN	TORNILLO M10X 30 U9327 8.8 ZN	SURUB M10X 30 U9327 8.8 ZN
8	F01230046	DADO M10X 1,25 D982 8 ZN	NUT M10X 1,25 D982 8 ZN	MUTTER M10X 1,25 D982 8 ZN	ECROU M10X 1,25 D982 8 ZN	TUERCA M10X 1,25 D982 8 ZN	PIULITA M10X 1,25 D982 8 ZN
9	F01020385	VITE M5X0,8X60 U5737 A2 IX	BOLT M5X 0,8X 60 U5739 8.8 IX	SCHRAUBE M5X0,8X60 U5739 8.8IX	VIS M5X 0,8X 60 U5739 8.8 IX	TORNIL. M5X0,8X60 U5739 8.8 IX	SURUB M5X 0.8X60 U5739 8.8 IX
10	F01230020	DADO M5X0,8 D982 A2 IX	NUT M5X0,8 D982 A2 IX	MUTTER M5X0,8 D982 A2 IX	ECROU M5X0,8 D982 A2 IX	TUERCA M5X0,8 D982 A2 IX	PIULITA M5X0,8 D982 A2 IX
11	F01410022	ROS.M5 5,3X 10X 1 U6592 IX	WASHER M5 5,3X10X 1 U6592 IX				
12	F05150329	CAPPUC.F X INN.M RAP.1/2 GIALL	PROTECT. COVER CAP F 1/2 YELLO	DECKEL W 1/2 SCHNELLKUPP GELB	COUVERCLE CONNEX. F 1/2 JAUNE	PAC PROTECCION F 1/2 AMARILLO	CAPAC PROTECTIE F 1/2 GALBEN
13	F05150330	CAPPUC.F X INN.M RAP.1/2 BLU	PROTECT. COVER CAP F 1/2 BLUE	DECKEL W 1/2 SCHNELLKUPP. BLUE	COUVERCLE CONNEXION F 1/2 BLEU	PAC PROTECCION F 1/2 AZUL	CAPAC PROTECTIE F 1/2 ALBASTRU
14	F05150325	CAPPUCCIO F. 1/2 ROSSO	COVER CONNECT F 1/2 RED	DECKEL W 1/2 SCHNELLKUPP. ROT	COUVERCLE CONNEXION F 1/2 ROSE	PAC PROTECCION F 1/2 ROJO	CAPAC PROTECTIE F 1/2 ROSU
15	F05150328	CAPPUC.F X INN.M RAP.1/2 VERDE	PROTECT. COVER CAP F 1/2 GREEN	DECKEL W 1/2 SCHNELLKUPP. GRUN	COUVERCLE CONNEXION F 1/2 VERT	PAC PROTECCION F 1/2 VERDE	CAPAC PROTECTIE F 1/2 VERDE
16	R18516630	ANS SUPORT GRUP HIDRAULIC	ASAMBL.SOPORTE GRUPOS HIDR.				
17	R18516680	PIASTRA SUPPORTO RUBINETTO	PLATE SUPORT TAP				PLACA SUPORT ROBINET
18	F01020510	VITE M12X1,75X30 U5739 8.8 ZN	TORNILLO M 12X30				
19	F01410076	ROS.M12 13X 24X2,5 U6592 ZN	WASHER 12 13X 24X2,5 U6592 ZN	SCHEIBE M12 13X24X2,5 U6592 ZN	RONDEL. M12 13X24X2,5 U6592 ZN	ARANDELA M12 13 X24X2,5 ZN	
20	F01230059	DADO M12X1,75 D982 8 ZN	LOCK-NUT M12X1,75 D982 ZN	SICHERUNGSMUTTER M12 D982 ZN	ECROU AUTO-FREINES M12 D982 ZN	TUERCA DE SEGURIDAD M12 D982ZN	
21	F03150935	INNESTO RAP.MASCH.1/2 A VALV.	QUICK CONNECT MALE CONE 1/2	SCHNELLKUPP.GEWINDE KONISC 1/2	CONNEXION RAPIDE MALE CONE 1/2	ACOPLAMIENT.RAP.MACHO CONO 1/2	CUPLA RAPIDA TATA 1/2 VALVA
22	F03150222	NIPPLIO MM CIL-CIL 1/2-3/8 ZG	NIPPLE M-M CIL-CYL 1/2-3/8 ZN	NIPPEL M-M CIL-CIL 1/2-3/8 ZN	NIPPLE H-H CIL-CIL 1/2-3/8 ZN	NIPLE H-H CIL-CIL 1/2-3/8 ZN	NIPLU T-T CIL-CIL 1/2-3/8 ZN
23	F03151237	ROS. 21 X27X1,5 RAME -1/2"	COPPER WASHER 21X27X1,5 1/2	SCHEIBE KUPFER 21X27X1,5 1/2	RONDELLE CUIVRE 21X27X1,5 1/2	ARANDELA COBRE 21X27X1,5 1/2	SAIBA PLANA 21X27X1,5 1/2
24	F05150485	SPIRALE PROTETTIVA D.44-50	SPIRAL GUARD D.44-50	SPIRAL SCHUTZ	SPIRALE PROTECTION	ESPIRAL PROTECIÉN	SPIRALA PROTECTIE D.44-50

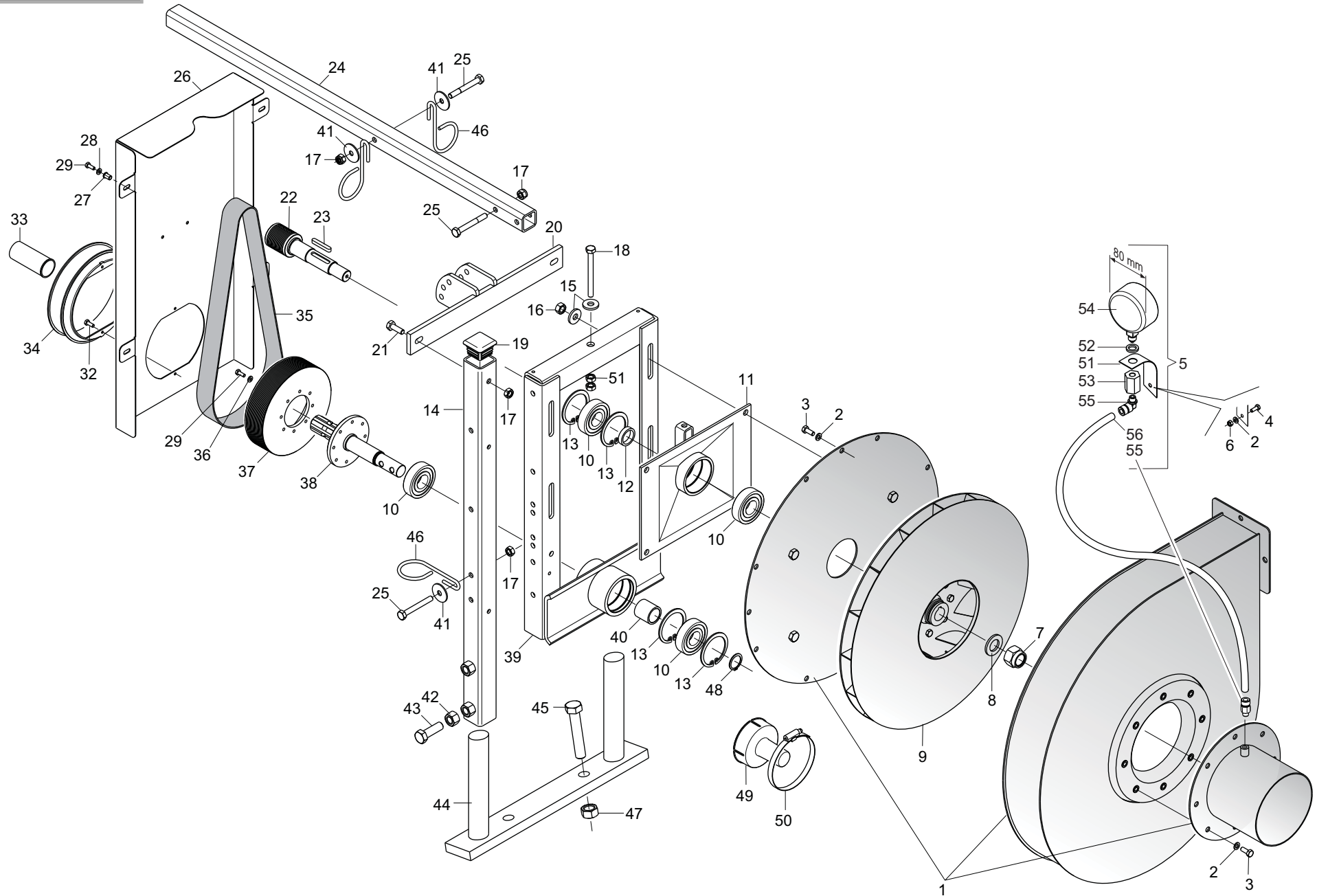




**TUBI TRASPORTO ARIA / AIR TRANSPORT PIPES / LUFTVERKEHR ROHRE /  
TUBES DE TRANSPORT AIR / TUBOS DE TRANSPORTE AIRE / TUBURI TRANSPORT AER**

Pos.	Cod.	Descrizione	Description	Benennung	Description	Descripcion	Descriere
1	F01020452	VITE M8X1,25X50 U5739 8.8 ZN	BOLT M8X1,25X50 U5739 8.8 ZN	SCHRA. M8X1,25X50 U5739 8.8 ZN	VIS M8X1,25X50 U5739 8.8 ZN	TORN. M8X1,25X50 U5739 8.8 ZN	SURUB M8X1,25X50 U5739 8.8 ZN
2	F01230034	DADO M 8X1,25 D982 8	LOCK NUT M8X1,25 D982 8 ZN				
3	F01420048	ROS.M8 8,4X 24X 2 U6593 ZN	WASHER M8 8,4X 24X2 U6593 ZN	SCHWEIBEN M8 8,4X24X 2 U6593 ZN	RONDELLE M8 8,4X24X 2 U6593 ZN	ARANDELA M8 8,4X 24X2 U6593 ZN	
4	F02300014	FASCETTA STRING. 110/130 H.12	CABLE TIE 100/140 H.12	SHELLE 100/140 H.12	COLLIER 100/140 H.12	ABRAZADERA 100/140 H.12	COLIER DE STRANG. 100/140 H.12
5	F02300026	FASCETTA STRING.150/170 H.12	STRING STRAP 150/170 H.12	KABELSCHELLE 150/170 H.12	COLLIER DE SERRAGE 150/170 H.1	ABRAZADERA 150/170 H.12	COLIER STRANGERE 150/170 H.12
6	F03100429	TUBO EOLO 120 PU	PIPE EOLO 120 PU	ROHR EOLO 120 PU	TUBE EOLO 120 PU	TUBO EOLO 120 PU	TUB EOLO 120 PU
7	F03100432	TUBO EOLO 152 PU-ES ANTI UV	TUBE EOLO 152 PU ANTI UV				TUB EOLO 152 PU ANTI UV
8	R18516881	TUBO AERO D150X1,5	AIR PIPE D150X1,5				TUB AER D150X1,5
9	G15912810	COLLARE ZN	COLLAR ZN	KRAGEN ZN	COLLIER ZN	COLLAR ZN	MANSON ZN
10	R18516910	COLLARE X TUBO D150 ZN	STRAP PIPE D.150 ZN				COLIER X TUB D150 ZN
11	G15912240	COLLARE TUBO D150 ZN	COLLAR PIPE D150 ZN	KRAGEN ROHR D150 ZN	COLLIER TUBE D150 ZN	COLLAR TUBO D150 ZN	MANSON TUB D150 ZN
12	F05010412	SUPPORTO TUBI OLIO E CAVI	SUPPORT FOR OIL TUBES AND CABL	HALTERUNG ILSCHL-UCHE UND KABESUPPORT	SUPPORT TUYAUX HUILE ET C-BLES	SOPORTE TUBOS ACEITE Y CABLES	SUPORT TUBURI ULEI SI CABL
13	F05150057	FASCETTA POLYA. 3,6X140 NERA	PLASTIC CLAMP 3,6X140	SHELLE POLYAMID 3,6X140	COLLIER POLYAMIDE 3,6X140	ABRAZADERA POLIAMIDA 3,6X140	COLIER PLASTIC 3,6X140
14	F01040041	VITE M5X0,8X12 U5931 8.8 ZN	SCREW M5X0,8X12 U5931 8.8 ZN	SCHRAUBE M5X0,8X12 U5931 8.8	VIS M5X0,8X12 U5931 8.8 ZN	TORNILLO M5X0,8X12 U5931 8.8	SURUB M5X0,8X12 U5931 8.8 ZN
15	R18516550	ANS.SUPPORT TUB AER	ASSEMBLEA SOPORTE TUBO DE AIRE				
16	R18516750	PIASTRA DISTANZIALE	SPACER PLATE				PLACA DISTANTIER
17	R18516760	PIASTRA DISTANZIALE	SPACER PLATE				PLACA DISTANTIER
18	F01020445	VITE M8X1,25X30 U5739 8.8 ZN	BOLT M 8X30	SCHRAUBE M 8X30	VIS M 8X30	TORNILLO M 8X30	VEZI 00551239

TAV. 161

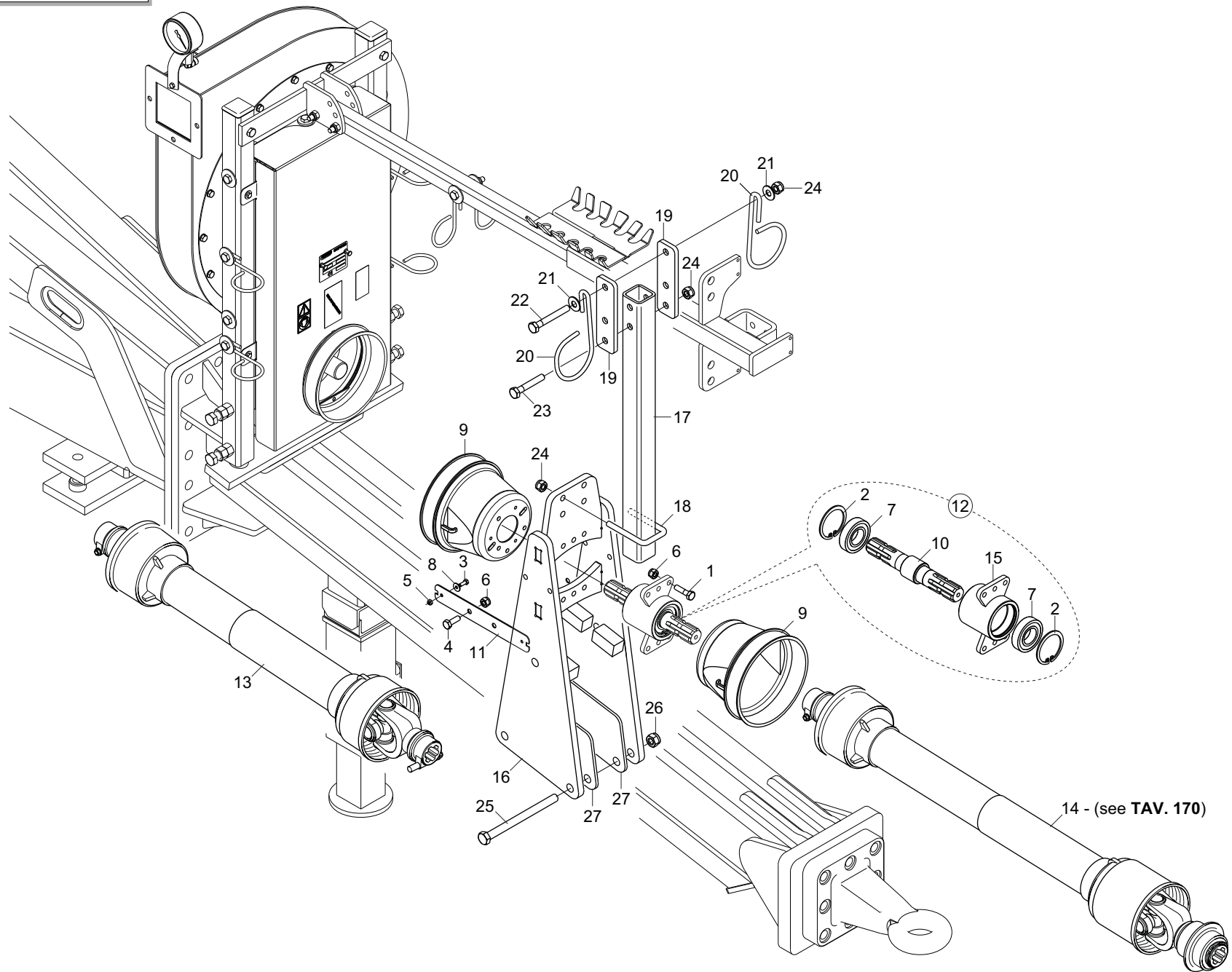


**DEPRESSORE / ASPIRATOR**

**TAV. 161**

Pos.	Cod.	Descrizione	Description	Benennung	Description	Descrpcion	Descriere
1	G68190000	CHIOCCIOLA HRL50 LG >	VOLUTE HRL50 LG >				
2	F01410051	ROS.M8 8,4X 17X1,6 U6592 ZN	WASHER M8 8,4X17X1,6 U6592 ZN	RONDELLE M8 8,4X17X1,6 U6592ZN	SCHEIBE M8 8,4X17X1,6 U6592 ZN	ARANDELA M8 8,4X17X1,6 U6592ZN	
3	F01020445	VITE M8X1,25X30 U5739 8.8 ZN	BOLT M 8X30	VIS M 8X30	SCHRAUBE M 8X30	TORNILLO M 8X30	VEZI 00551239
4	F01020403	VITE M6X1X16 U5739 8.8 ZN	BOLT M6X1X16 U5739 8.8 ZN	VIS M6X1X16 U5739 8.8 ZN	SCHRAUBE M6X1X16 U5739 8.8 ZN	TORNILLO M6X1X16 U5739 8.8 ZN	SURUB M6X1X16 U5739 8.8 ZN
5	G22270093	VACUOMETRO COMPL. SP LM	VACUUM METER ASSY. SP LM	VACUOMETRE COMPL. SP LM	KOMPL. VAKUUMMETER SP LM	VACUMETRO COMPL. SP LM V	ACUOMETRO COMPL. SP LM G
6	F01220011	DADO M 6X 1 D980 8 ZN	NUT M6X1 D980 8 ZN	ECROU M6X1 D980 8 ZN	MUTTER M6X1 D980 8 ZN	TUERCA M6X1 D980 8 ZN	PIULITA M6X1 D980 8 ZN
7	F01230143	DADO M24X 2 D982 8 ZN	NUT M24X2 D982 8 ZN	ECROU M24X2 D982 8 ZN	MUTTER M24X2 D982 8 ZN	TUERCA M24X2 D982 8 ZN	PIULITA M24X2 D982 8 ZN
8	F01410147	ROS.M24 25X 44X 4 U6592 ZN	WASHER M24 25X44X 4 U6592 ZN	RONDELLA M24 25X44X4 U6592 ZN	SCHEIBE M24 25X44X4 U6592 ZN	ARANDELLA M24 25X44X4 U6592 ZN	SAIBA M24 25X44X 4 U6592 ZN
9	G68190001	GIRANTE HRL50 LG MOZZO D.28	FAN WHEEL HRL50 LG HUB D.28				
10	F04010215	CUSC.D30 D72 B19 6306 2RSC3 EX	BEARING D30 D72 B19 6306 2RSC3	PALIER 6306 2RS C3	LAGER 6306 2RS C3	COJINETE 6306 2RS C3	RULMENT D30 D72 B19 6306 2RSC3
11	G15450091	SUPPORTO PULEGGIA CONDOTTA	DRIVEN PULLEY SUPPORT	SUPPORT POULIE ENTRAINEE	HALTERUNG GETRIEBENE RIEMENSCH	SOPORTE POLEA CONDUCIDA	SUPORT FULIE CONDUCTA
12	G22230014	DISTANZIALE	SPACER	ENTRETOISE	DISTANZSTsCK	DISTANCIADOR	DISTANTIER
13	F02050403	ANELLO E. DI 72X 2,5 U7437 C70	SEEGER RING E.72X2,5 U7437 C70	SEEGER E. 72X 2,5 U7437 C70	SEEGERING E. 72X 2,5 U7437 C70	ANILLO E. 72X 2,5 U7437 C70	INEL E. 72X 2,5 U7437 C70
14	G15950750	TUBO Q.50	SQ.TUBE 50				
15	G20970035	RONDELLA 32X4X13	WASHER 32X4X13	RONDELLE 32X4X13	UNTERLEGSCHEIBE 32X4X13	ARANDELA 32X4X13	SAIBA 32X4X13
16	F01200293	DADO M12X1,75 U5588 6.8 ZN	NUT M12X1,75 U5588 6.8 ZN	ECROU M12X1,75 U5588 6.8 ZN	MUTTER M12X1,75 U5588 6.8 ZN	TUERCA M12X1,75 U5588 6.8 ZN	PIULITA M12X1,75 U5588 6.8 ZN
17	F01230048	DADO M10X 1,5 D982 8 ZN	LOCK NUT M10X 1,5 D982 8 ZN	ECR.AUTO-FREIN.M10X1,5 D982 ZN	SICHERUNGSMUTT.M10X1,5 D982 ZN	TUERCA SEGURID.M10X1,5 D982 ZN	
18	F01020493	VITE M10X1,5X100 U5739 8.8 ZN	BOLT M10X1,5X100 U5739 8.8 ZN	VIS 10X100 5739 8.G ZN	SCHRAUBE 10X100 5739 8.G ZN	TORNILLO 10X100 5739 8.G ZN	SURUB M10X1,5X100 U5739 8.8 ZN
19	F20120349	PUNTALE Q.50 ALETT.POLIT.NERO	CAP	BOUCHON	DECKEL	CORCHO	DOP
20	G15950280	ASS.PIASTRA	ASS.PLATE				
21	F01020476	VITE M10X1,5X30 U5739 8.8 ZN	BOLT M10X1,5X30 U5739 8.8 ZN	VIS M10X1,5X30 U5739 8.8 ZN	SCHRAUBE M10X1,5X30U5739 8.8ZN	TORNIL.M10X1,5X30 U5739 8.8 ZN	
22	G15950361	ALBERO 20 GOLE HRL 50	SHAFT 20 GROOVES HRL 50				
23	F02150075	LINGUETTA 8X 7X 50 U6604A	PARALLELE KEY 8X 7X 50 U6604A				PANA 8X 7X 50 U6604A
24	G15950720	TUBO Q. 40X 4X1000	SQ.TUBE 40X4X1000				
25	F01020128	VITE M10X1,5X80 U5737 8.8 ZN	BOLT M10X1,5X80 U5737 8.8 ZN	VIS M10X1,5X80 U5737 8.8 ZN	SCHRAUBE M10X1,5X80 U5737 8.8	TORNIL.M10X1,5X80 U5737 8.8 ZN	SURUB M10X1,5X80 U5737 8.8 ZN
26	G15950220	CARTER	CARTER				
27	F02250681	INSERTO FIL.M 6X14 ZN T.TONDA	THREADED ZINCKED INSERT M6X14	JOINT FILETE M6X14 ZN	GEWINDE BUGEL M6X14 ZN	YUGO MUESCADO M6X14 ZN	
28	F01420036	ROS.M6 6,4X 18X 2 U6593 ZN	WASHER M6 6,4X 18X2 U6593 ZN	RONDELLE M6 6,4X18X2 2 U6593ZN	SCHEIBEN M6 6,4X18X 2 U6593 ZN	ARANDELA M6 6,4X18X2 U6593 ZN	
29	F01020403	VITE M6X1X16 U5739 8.8 ZN	BOLT M6X1X16 U5739 8.8 ZN	VIS M6X1X16 U5739 8.8 ZN	SCHRAUBE M6X1X16 U5739 8.8 ZN	TORNILLO M6X1X16 U5739 8.8 ZN	SURUB M6X1X16 U5739 8.8 ZN
30	F03151206	RACCORDO DIR. C1 1/8" 6/8	UNION STRAIGHT C1 1/8" 6/8	RACCORD DRT. C1 1/8" 6/8	ANSCHLUSSTsCK GERADE C1 1/8"	UNIN DER. C1 1/8" 6/8 R	ACORD DER. C1 1/8" 6/8 G
31	F01200270	DADO M10X 1,5 U5588 6.8 ZN	NUT M10X 1,5 U5588 6.8 ZN	ECROU M10X 1,5 U5588 6.8 ZN	MUTTER M10X 1,5 U5588 6.8 ZN	TUERCA M10X 1,5 U5588 6.8 ZN	PIULITA M10X 1,5 U5588 6.8 ZN
32	F02250123	RIVETTO STR. 4,8X 9 U9200A AL	PULL RIVET 4,8X 9 U9200A ALL	RIVET A RUPTURE 4,8X 9 U9200A	REISSNIETE 4,8X 9 U9200A ALL	REMACHE DESGAR. 4,8X 9 U9200A	NIT ORB 4,8X 9 U9200A AL
33	G19002131	PROTEZIONE P.D.P.	PDP GUARD				
34	G15450480	CUFFIA PROTEZ.CARDANO 1000 G.	POWER TAKE-OFF PROT. HOUS 1000				
35	F06010168	CINGHIA POLY V 1194 J-20 GOLE	BELT POLY V1194 J-20 RIBS				CUREA POLY V 1194 J-20 CU GAT
36	F01430047	ROS.M6 6,4X 11X0,7 U8842J ZN	WASHER D6 DIN 6798 D.INT.GALV.	RONDELLE D6 DIN 6798 D. INT. Z	UNT. SCHEIBE D6 DIN 6798 D. IN	ARANDELA D6 DIN 6798 D.INT.ZN	SAIBA M6 6,4X11X0,7 U8842J ZN
37	G16032340	PULEGGIA MOTRICE 1000 GIRI	DRIVING PULLEY 1000 REVS	POULIE MOTRICE 1000 TOURS	ANTRIEBSSCHEIBE 1000 UMDREHUNG	POLEA MOTRIZ 1000 REVOLUCIONES	FULIE GHIDARE 1000 ROTATII
38	G22270369	P.DI P.CON CODOLO	POWER TAKE-OFF- W/ SPIGOT	PRISE DE FORCE AVEC CONE	KRAFTABTRIEB MIT ENDSTsCK	TOMA DE FUERZA CON MANGO	P.DE P.CU COADA
39	G15850200	INCASTELLATURA DEPRESSORE	DIFFUSION AIR PUMP FRAME	B-TI POMPE A D-PRESSION	GESTELL VAKUUMPUMPE	ARMAZÉN BOMBA VAC-O	STRUTURA SCHELET DEPRESOR
40	G22230010	DISTANZIALE CUSCINETTI	BEARING SPACER	ENTRETOISE PALIERS	DISTANZSTsCK LAGER	DISTANCIADOR COJINETES	DISTANTATOR RULMENTI
41	F01420061	ROS.M10 10,5X 40X2,5 U6593 ZN	WASHER 11X40X2,5 6593 ZN	RONDELLE 11X40X2,5 6593 ZN	UNTERLEGSCHEIBE 11X40X2,5 6593	ARANDELA 11X40X2,5 6593 ZN	SAIBA M10 11X40X2,5 6593 ZN
42	F01200110	DADO M16X 2 U5587 6.8 ZN	NUT M16X 2 U5587 6.8 ZN	ECROU M16	MUTTER M16	TUERCA M16	PIULITA M16X2 5587 6S ZB
43	F01020253	VITE M16X2X50 U5737 8.8 BR	BOLT M16X2X50	VIS M16X2X50	SCHRAUBE M16X2X50	TORNILLO M16X2X50	SURUB M16X 2X 50 U5737 8.8 BR
44	G15950730	ATTACCO	ATTACK				
45	F01020308	VITE M20X 2,5X65 U5737 8.8 ZN	SCREW M20X2,5X65 U5737 8.8 ZN	VIS M20X2,5X65 U5737 8.8 ZN	SCHRA. M20X2,5X65 U5737 8.8 ZN	TORN. M20X2,5X65 U5737 8.8 ZN	SURUB M20X2,5X65 U5737 8.8 ZN
46	G18902270	GUIDATUBO ZN TEL	TUBE GUIDE ZN TEL				
47	F01230131	DADO M20X 2,5 D982 6 ZN	NUT M20X 2,5 D982 6 ZN	ECROU M20X 2,5 D982 6 ZN	MUTTER M20X 2,5 D982 6 ZN	TUERCA M20X 2,5 D982 6 ZN	PIULITA M20X 2,5 D982 6 ZN
48	F02050112	ANELLO E. DE 30X 1,5 U7435 C70	SEEGER RING 30X 1,5 U7435 C70	SEEGER E. 30 X 1,5 U7435 C70	SEEGERING E. 30X 1,5 U7435 C70	ANILLO E. 30 X 1,5 U7435 C70	INEL E. 30 X 1,5 U7435 C70
49	G19005570	CUFFIA PROTEZIONE PTO	PROTECTION CAP PTO				
50	F02300025	FASCETTA STRING. 90/110 H.12	HOSE CLAMP 90/110 H.12				
51	G22270134	SUPPORTO VACUOMETRO SP	VACUUM METER SUPPORT SP	SUPPORT VACUOMETRE SP	HALTERUNG VAKUUMMETER SP	SOPORTE VACUMETRO SP S	UPOINT VACUOMETRO SP G
52	F05150479	ROND.APPOGGIO MANOMETRI SV	PRESSURE GAUGE REST WASHER	ROND. LOGEMENT MANOMETRES SV	STsTzSCHEIBE MANOMETER SV	ARAND. SOPORTE MANOMETROS SV	SAIBA.SPRIJUN MANOMETRI SV
53	G22250274	COLLEGAMENTO MANOMETRI SP-SV	PRESSURE GAUGE CONNECT. SP-SV	RACCORD MANOMETRES SP-SV	VERBINDUNG MANOMETER SP-SV	CONEXIN MANMETROS SP-SV LE	GATURA MANOMETRI SP-SV GA
54	F03151288	VACUOM.0-100 MBAR C.SM.INC.D80	VACUUM METER 0-100 MBAR C.SMOR	VACUOMETRE 0-100 MBARS A/SUPPO	VAKUUMMETER 0-100 MBAR M. DZMP	VACUM. 0-100 MBAR C.ATEN.INC.V	ACUMETRU 0-100 MBAR C.ATENUARG
55	F03151200	RACCORDO 90° C5 1/8" 6/8	UNION 90° C5 1/8" 6/8	RACCORD 90° C5 1/8" 6/8	ANSCHLUSSTsCK 90° C5 1/8" 6/8	UNION 90° C5 1/8" 6/8	RACUMED 90° C5 1/8" 6/8
56	F03100391	TUBO POLIURETANO 8-6	POLIURETHAN PIPE 8-6				TUB POLIURETAN 8-6

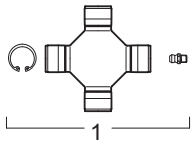
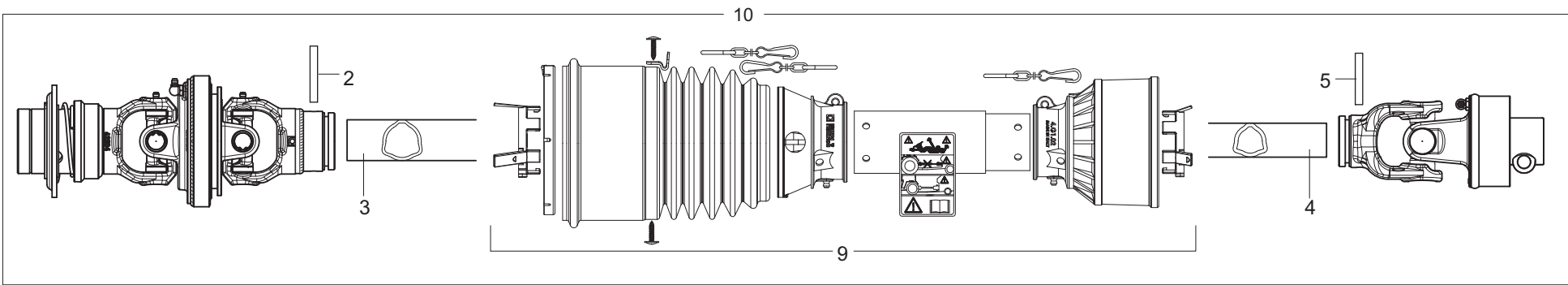
TAV. 181



# TRASMISSIONE DEPRESSORE / ASPIRATOR DRIVE

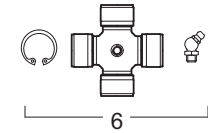
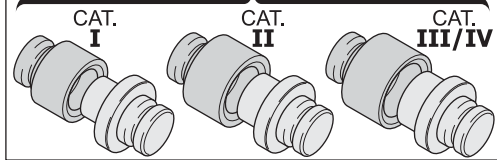
TAV. 181

Pos.	Cod.	Descrizione	Description	Benennung	Description	Descrpcion	Descriere
1	F01020110	VITE M10X1,5X40 U5737 8.8 ZN	BOLT M 10X40	VIS M 10X40	SCHRAUBE M 10X40	TORNILLO M 10X40	SURUB TE.8G.M10X40 UNI 5737
2	F02050403	ANELLO E. DI 72X 2,5 U7437 C70	SEEGER RING E.72X2,5 U7437 C70	SEEGER E. 72X 2,5 U7437 C70	SEEGERING E. 72X 2,5 U7437 C70	ANILLO E. 72X 2,5 U7437 C70	INEL E. 72X 2,5 U7437 C70
3	F01020403	VITE M6X1X16 U5739 8.8 ZN	BOLT M6X1X16 U5739 8.8 ZN	VIS M6X1X16 U5739 8.8 ZN	SCHRAUBE M6X1X16 U5739 8.8 ZN	TORNILLO M6X1X16 U5739 8.8 ZN	SURUB M6X1X16 U5739 8.8 ZN
4	F01020476	VITE M10X1,5X30 U5739 8.8 ZN	BOLT M10X1,5X30 U5739 8.8 ZN	VIS M10X1,5X30 U5739 8.8 ZN	SCHRAUBE M10X1,5X30U5739 8.8ZN	TORNIL.M10X1,5X30 U5739 8.8 ZN	
5	F01220011	DADO M 6X 1 D980 8 ZN	NUT M6X1 D980 8 ZN	ECROU M6X1 D980 8 ZN	MUTTER M6X1 D980 8 ZN	TUERCA M6X1 D980 8 ZN	PIULITA M6X1 D980 8 ZN
6	F01230048	DADO M10X 1,5 D982 8 ZN	LOCK NUT M10X 1,5 D982 8 ZN	ECR.AUTO-FREIN.M10X1,5 D982 ZN	SICHERUNGSMUTT.M10X1,5 D982 ZN	TUERCA SEGURID.M10X1,5 D982 ZN	
7	F04010178	CUSC.D35 D72 B17 6207 2RS1 EX	BEAR.D35 D72 B17 6207 2RS1 EX	ROULEM. D35 D72 B17 6207 2RS1	LAGER D35 D72 B17 6207 2RS1	COJINETE D35 D72 6207 2RS1	RULMENT D35 D72 B17 6207 2RS1
8	F01420036	ROS.M6 6,4X 18X 2 U6593 ZN	WASHER M6 6,4X 18X2 U6593 ZN	RONDELLE M6 6,4X18X2 2 U6593ZN	SCHEIBEN M6 6,4X18X 2 U6593 ZN	ARANDELA M6 6,4X18X2 U6593 ZN	
9	F05150403	CUFFIA PROTEZ,CARDANO X GRUPPO	POWER TAKE-OFF PROTECTION HOUS	PROTECTEUR PRISE DE PUISSANCE	SCHUTZKASTEN KRAFTABTRIEB	ENVOLTURA PROTECCIN T. DE P. C	UTIE PROTECTIE CARDAN X GRUP G
10	G16050610	PRESA DI POTENZA ZN	POWER PRESS ZN				PRESA DE PUTERE ZN
11	G16073880	STAFFA SUPP.PROTEZ.PTO	BAR PROTECT.PTO SUPPORT				
12	G16073890	RINVIO PTO COMPL	PTO COMPLETE TRANSMISSION				TRANSMISIE PTO COMPLETA
13	F08011711	CARD.B1 Z6-Z6 L700	PTO SHAFT B1 Z6-Z6 L700				
14	F08011764	CARDANO OM 3/4Z20-RL Z6 L1381	CARD.R4 Z20-Z6 L1381 OM-RL				CARDAN OM 3/4Z20-RL Z6 L1210
15	G16073900	SUPPORTO CUSCINETTO PTO	PTO BEARING SUPPORT				
16	R18516510	ASSIEME SUPPORTO CARDANO	ASSEMBY SUPORT PTO SHAFT	ENSEMBLE SUPORT CARDAN	HALTERUNG PTO SHAFT	ASEMBLEA SOPORTE CARDANO	ANSAMBLU SUPORT CARDAN
17	R18516690	TUBO 50X50X3 L=650	PIPE 50X50X3 L=650	TUBE 50X50X3 L=650	ROHR 50X50X3 L=650	TUBO 50X50X3 L=650	TUB 50X50X3 L=650
18	F20110740	CAV.Q.B=50 M=12X1,75L=95	U BOLT Q.B=50 M=12X1,75 L=95	CAVALIER M12X63 -95 ZN	VERBINDUNG M12X63 -95 ZN	PERNO EN U M12X63 -95 ZN	BRIDA "U" M12X1,75X30 63X95 ZN
19	R18516700	PIASTRA SUPPORTO TUBI IDRAUL.	PLATE SUPPORT TUBES HYDR.	LAMA SUPORT TUBE HYDR.	MESSER HALTERUNG ROHR HYDR.	CUCCHILA SOPORTE TUBI HIDRAUL.	PLACA SUPORT TUBURI HIDRAULICE
20	R18516260	GANCIO SUPPORTO CAVO SICCUR.	SUPPORT HOOK SAFETY CABLE	CROCHET SUPPORT CABLE SECURITE	HACKEN HALTERUNG KABEL	GANCHO SOPORTE CABLE SEGURIDAD	CARLING SUPORT CABLU SIGURANTA
21	F01420072	ROS.M12 13X 48X2,5 IX	WASHER M12 13X 48X2,5 IX				
22	F01020172	VITE M12X1,75X110 5737 8.8 ZN	BOLT M12X1,75X110 5737 8.8 ZN	VIS 12X110 5737 8.G ZN	SCHRAUBE 12X110 5737 8.G ZN	TORNILLO 12X110 5737 8.G ZN	SURUB M12X1,75X110 5737 8.8 ZN
23	F01020168	VITE M12X1,75X90 U5737 8.8 ZN	SCREW M12X1,75X90 U5737 8.8 ZN	VIS M12X1,75X90 U5737 8.8 ZN	SCHRAUB.M12X1,75X90 5737 8.8 ZN	TORNIL.M12X1,75X90 5737 8.8 ZN	SURUB M12X1,75X90 U5737 8.8 ZN
24	F01230059	DADO M12X1,75 D982 8 ZN	LOCK-NUT M12X1,75 D982 ZN	ECROU AUTO-FREINES M12 D982 ZN	SICHERUNGSMUTTER M12 D982 ZN	TUERCA DE SEGURIDAD M12 D982ZN	
25	F01020286	VITE M16X2X220 U5737 10.9 ZD	BOLT 16X220 5737 10.9 GALVANIZ	VIS 16X220 5737 10.9 ZN	SCHRAUBE 16X220 5737 10.9 ZN	TORNILLO 16X220 5737 10.9 ZN	SUR.M16X 2X220 U5737 10.9 ZB
26	F01230085	DADO M16X 2 D982 8 ZN	NUT M16X 2				
27	R18516520	PIASTRA DISTANZIALE	SPACER PLATE	LAMA ENTRETOISE	MESSER ABSTANDSTUCK	CUCCHILA DIST.	PLACA DISTANTIERA

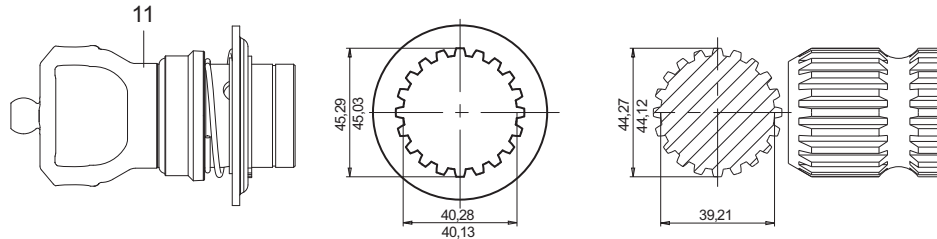


KIT PRESSORE/BUSSOLA - KIT PUNCH/ROOT

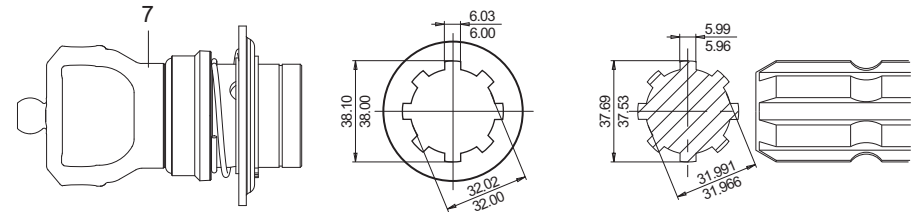
F08010152



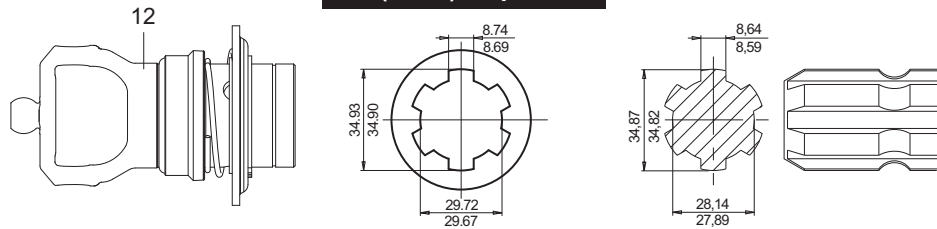
**Z20 (1"3/4) - Standard**



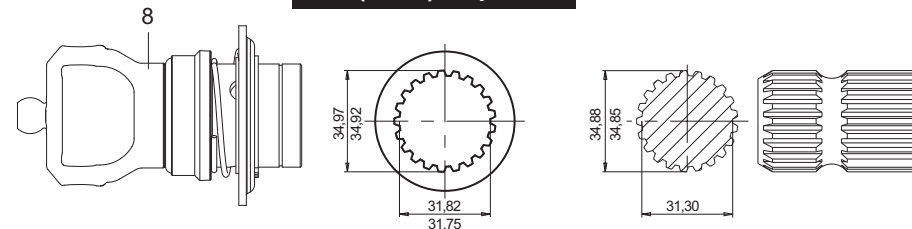
**Z8 (32x38) - Optional**



**Z6 (1"3/8) - Optional**



**Z21 (1"3/8) - Optional**

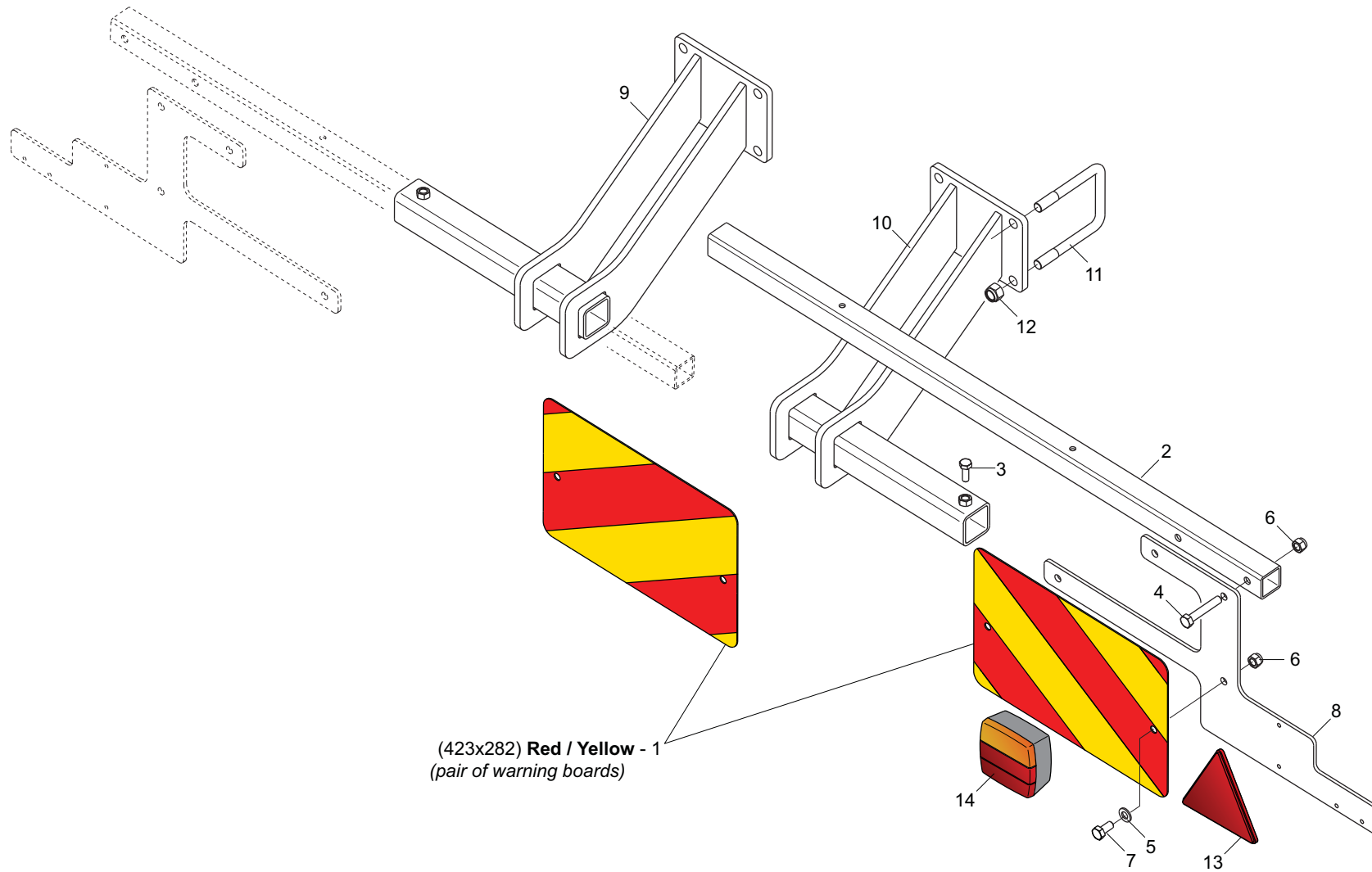




# CARDANO F08011764 / F08011764 CARDAN SHAFT

TAV. 171

Pos.	Cod.	Descrizione	Description	Benennung	Description	Descripcion	Descriere
1	G68180000	CROCIERA >	SPIDER >				
2	G68180001	SPINA DI BLOCCAGGIO >	LOCKING PIN >				
3	G68180002	TUBO CARDANICO ESTERNO >	OUTER CARDAN JOINT				
4	G68180003	TUBO CARDANICO INTERNO >	INTERNAL CARDAN JOINT				
5	G68180004	SPINA DI BLOCCAGGIO >	LOCKING PIN >				
6	G68180005	CROCIERA >	SPIDER >				
7	F08011766	FORCELLA CARD.32X38 Z8 R4	FORK 32X38 Z8 R4				
8	F08011773	FORCELLA CARD.1 3/8 Z21 R4 >	FORK 1 3/8 Z21 R4				
9	G68180008	PROTEZIONE COMPLETA >	PROTECTION ASS.BLY >				
10	F08011764	CARDANO OM 3/4Z20-RL Z6 L1381	CARD.R4 Z20-Z6 L1381 OM-RL				CARDAN OM 3/4Z20-RL Z6 L1210
11	F08011774	FORCELLA CARD.1 3/4 Z20 R4	CARD. FORK 1 3/4 Z20 R4				
12	F08011768	FORCELLA CARD.1 3/8 Z6 R4	FORK 1 3/8 Z6 R4				



(423x282) Red / Yellow - 1  
(pair of warning boards)

## KIT LUCI / LIGHTING KIT / LICHTER KIT / KIT D'ECLAIRAGE / KIT DE ILUMINACION / SET DE LUMINI

Pos.	Cod.	Descrizione	Description	Benennung	Description	Descripcion	Descriere
1	F05010591	PANNELLI CAR.SPORG.423X282	WARNING BOARD 423X282	WARNTAFEL 423X282	PANNEAUX REFLECHISSANT 423X282	ADVERTENCIA BORDO 423X282	PANOURI REFLECT. 423X282
2	R18540010	TUBO 45X45X4 L620	PIPE 45X45X4 L620	ROHR 45X45X4 L620	TUBE 45X45X4 L620	TUBO 45X45X4 L620	TUB 45X45X4 L620
3	F01020476	VITE M10X1,5X30 U5739 8.8 ZN	BOLT M10X1,5X30 U5739 8.8 ZN	SCHRAUBE M10X1,5X30U5739 8.8ZN	VIS M10X1,5X30 U5739 8.8 ZN	TORNIL.M10X1,5X30 U5739 8.8 ZN	
4	F01020164	VITE M12X1,75X70 U5737 8.8 ZN	BOLT M12X1,75X70 U5737 8.8 ZN	SCHR. M12X1,75X70 U5737 8.8 ZN	VIS M12X1,75X70 U5737 8.8 ZN	TORN. M12X1,75X70 U5737 8.8 ZN	SURUB M12X1,75X70 U5737 8.8 ZN
5	F01410076	ROS.M12 13X 24X2,5 U6592 ZN	WASHER 12 13X 24X2,5 U6592 ZN	SCHEIBE M12 13X24X2,5 U6592 ZN	RONDEL. M12 13X24X2,5 U6592 ZN	ARANDELA M12 13 X24X2,5 ZN	
6	F01230057	DADO M12X1,75 D982 6 ZN	NUT M12X1,75 D982 6 ZN	MUTTER M12X1,75 D982 6 ZN	ECROU M12X1,75 D982 6 ZN	TUERCA M12X1,75 D982 6 ZN	PIULITA M12X1,75 D982 6 ZN
7	F01020508	VITE M12X1,75X25 U5739 8.8 ZN	SCREW M12X1,75X25 U5739 8.8 ZN	SCHRAUBE M12X1,75X25U57398.8ZN	VIS M12X1,75X25 U5739 8.8 ZN	TORNIL.M12X1,75X25 U5739 8.8ZN	
8	R18540043	PIASTRA SUPPORTO KIT LUCI	SUPPORT PLATE LIGHTS KIT	MESSER HALTERUNG LICHT	PLAQUE SUPPORT SET FEUX	CUCHILLA SOPORTE KIT LUCES	PLACA SUPORT KIT LUMINI
9	R18540071	SUPORT LUMINI DX					
10	R18540081	SUPORT LUMINI SX					
11	F20110800	CAV.R.B=100 M=16X2 L=135	U BOLT R.B=100 M=16X2 L=135	VERBI.M16X 2X 40 118X135 ZB	ATTEL.M16X 2X 40 118X135 ZB	PERNO M16X 2X 40 118X135 ZB	BRIDA "U" M16X 2X40 118X135 ZN
12	F01230085	DADO M16X 2 D982 8 ZN	NUT M16X 2				
13	F05010222	CATARIFRANGENTE TRIANGOLARE	TRIANGULAR REFLECTOR	DREIECKIGE RSCKSTRAHLER	CATADIOPTRE TRIANGULAIRE	CATAFARO TRIANGULAR	REFLECTOR TRIUNghiULAR
14	F05010076	FANALE X KIT LUCI	LAMP KIT LIGHTS COMPL.	LAMPEN KIT LICHT KOMPL.	FEU KIT ECLAIRAGE COMPL.	FAROL SET LUCES COMPL.	FARURI PENTRU SET LUMINI

**USATE SEMPRE RICAMBI ORIGINALI  
ALWAYS USE ORIGINAL SPARE PARTS  
IMMER DIE ORIGINAL-ERSATZTEILE VERWENDEN  
EMPLOYEZ TOUJOURS LES PIECES DE RECHANGE ORIGINALES  
UTILIZAR SIEMPRE REPUESTOS ORIGINALES  
UTILIZAȚI ÎNTOTDEAUNA PIESE DE SCHIMB ORIGINALE**



DEALER:



**MASCHIO GASPARDO SpA**  
**Registered office & Production plant**  
Via Marcello, 73 - 35011 Campodarsego (Padova) - Italy  
Tel. +39 049 9289810  
Fax +39 049 9289900  
info@maschio.com  
www.maschionet.com

**MASCHIO GASPARDO SpA**  
**Production plant**  
Via Mussons, 7 - 33075  
Morsano al Tagliamento (PN) - Italy  
Tel. +39 0434 695410  
Fax +39 0434 695425  
info@gaspardo.it

**MASCHIO DEUTSCHLAND GMBH**  
Äußere Nürnberger Straße 5  
D - 91177 Thalmässing - Deutschland  
Tel. +49 (0) 9173 79000  
Fax +49 (0) 9173 790079  
dialog@maschio.de  
www.maschio.de

**MASCHIO FRANCE Sarl**  
1, Rue de Mérignan ZA  
F - 45240 La Ferte St. Aubin  
France  
Tel. +33 (0) 2.38.64.12.12  
Fax +33 (0) 2.38.64.66.79  
info@maschio.fr

**000 МАСКИО-ГАСПАРДО РУССИЯ**  
Улица Пушкина, 117 Б  
404126 Волжский  
Волгоградская область  
Тел. +7 8443 515152  
факс. +7 8443 515153  
info@maschio.ru

**MASCHIO-GASPARDO ROMANIA S.R.L.**  
Strada Înfrățirii, F.N.  
315100 Chisineu-Cris (Arad) -România  
Tel. +40 257 307030  
Fax +40 257 307040  
info@maschio.ro

**MASCHIO-GASPARDO North America**  
120 North Scott Park Road  
Eldridge, IA 52748 - USA  
Ph. +1 563 2859937  
Fax +1 563 2859938  
info@maschio.us

**MASCHIO-GASPARDO IBERICA**  
**MASCHIO-GASPARDO POLAND**  
**MASCHIO-GASPARDO UCRAINA**  
**GASPARDO-MASCHIO TURCHIA**  
**MASCHIO-GASPARDO CINA**