

Combined Active Infrared and Microwave Door Sensors

OAM-DUAL series



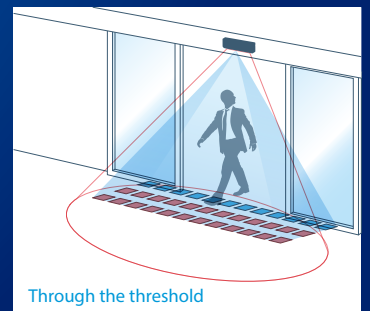
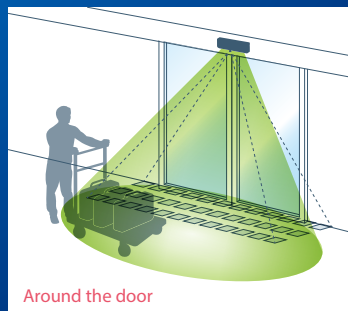
Black

Silver



Hybrid Sensor

The OAM-DUAL series provide safety around the door and through the threshold at the same time. The microwave detection area guarantees comfortable opening at all times.



BLUE ZONE Technology

TM



The "BLUE ZONE" is unique and is setting the trend for automatic door threshold safety. The "BLUE ZONE" provides the ultimate threshold coverage that adds value to the end user. Optex is focused on being better and presenting the "BLUE ZONE" technology matches our commitment to leading the industry with providing safety in the threshold.

Approach Area
Wide and Deep



Presence Area
High Density

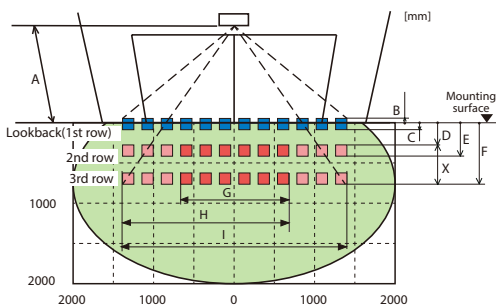


BLUE ZONE
True Threshold Safety



*This feature is intended to improve the safety, it does not guarantee the prevention of accidents.

Detection Area



AIR emitting area

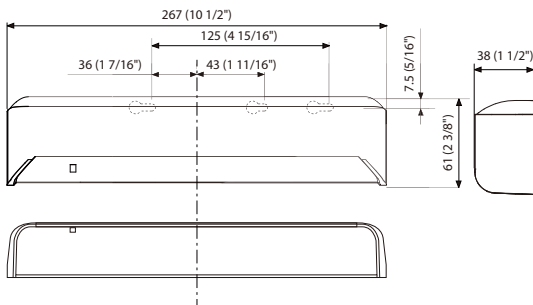
The chart shows the values at depth angle +6°

m (feet, inch)

	2.00 (6'7")	2.20 (7'2")	2.50 (8'2")	2.70 (8'10")	3.00 (9'10")	3.50 (11'6")
A	2.00 (6'7")	2.20 (7'2")	2.50 (8'2")	2.70 (8'10")	3.00 (9'10")	3.50 (11'6")
B	0.05 (2")	0.06 (2")	0.07 (3")	0.074 (3")	0.08 (3")	0.09 (4")
C	0.07 (3")	0.08 (3")	0.09 (4")	0.10 (4")	0.11 (4")	0.12 (5")
D	0.23 (9")	0.25 (10")	0.28 (11")	0.31 (1')	0.34 (1'1")	0.39 (1'4")
E	0.35 (1'2")	0.39 (1'3")	0.44 (1'5")	0.48 (1'7")	0.53 (1'9")	0.61 (2")
F	0.59 (1'11")	0.65 (2'2")	0.74 (2'5")	0.80 (2'8")	0.89 (2'11")	1.03 (3'5")
G	1.21 (3'12")	1.33 (4'4")	1.51 (4'11")	1.63 (5'4")	1.81 (5'11")	2.11 (5'11")
H	1.86 (6'1")	2.05 (6'9")	2.32 (7'7")	2.51 (8'3")	2.79 (9'2")	3.25 (10'8")
I	2.52 (8'3")	2.78 (9'1")	3.15 (10'4")	3.40 (11'2")	3.79 (5'11")	4.42 (14'6")

Dimensions

Unit: mm (inch)



Activation / Safety Test output

	OAM-DUAL T	OAM-DUAL TV	OAM-DUAL TF
1	12 to 24 VAC ±10% / 12 to 30 VDC ±10%		
2	Form A relay 50 V 0.3 A Max.	(+) Voltage output 3.2 V@ 10 mA min. 4.5 V (no load) (-) Voltage output 3.2 V@ 10 mA min. 4.5 V (no load)	Frequency output 100 Hz ±10%
3	Opto coupler (NPN) / Voltage: 5 to 50 VDC		
4	Opto coupler / Voltage: 5 to 30 VDC		

Specifications

Model	OAM-DUAL T/TV/TF
Cover color	Black / Silver
Mounting height	2.0 (6'6") to 3.5 m (11'6")
Detection method	Active infrared reflection Microwave doppler effect
Detection angle adjustment	AIR area -6 to +6° Microwave area +25 to +45°
Power supply	12 to 24 V AC ±10% (50/60 Hz) 12 to 30 V DC ±10%
Power consumption	< 2.5 W (< 4 VA at AC)
Test input	Opto coupler, voltage 5 to 30 VDC current 6 mA max. (30 VDC)
Activation output	See chart in below
Safety/Test output	Opto coupler (NPN), voltage 5 to 50 VDC current 100 mA max., dark current 600 nA max. (resistance load)
Noise level	< 70 dBA
Output hold time	< 0.5 sec.
Response time	< 0.3 sec.
Operating temperature	-20 to +55°C (-4 to +131°F)
Operating humidity	< 80 %
IP rate	IP54
Weight	320 g
Accessories	Manual, mounting screws, mounting template, area adjustment tool, cable

Manufacturer / Asia sales Div.

OPTEX CO.,LTD.

5-8-12 Ogoto Otsu Shiga 520-0101 Japan
TEL.: +81-77-579-8360 FAX.: +81-77-579-8190

Asia Sales Div.

TEL.: +81-77-579-8030 FAX.: +81-77-579-8136
WEBSITE: www.optex.co.jp/as/eng/index.html

North and South American Subsidiary

OPTEX INCORPORATED. AMERICAS HEADQUARTERS

18730 South Wilmington Ave. Suite 100 Rancho Dominguez, CA 90220 U.S.A.
TOLL-FREE: 800 877 6656 FAX.: +1 310 214 8655
WEBSITE: www.ot-inc.com

East Coast Office

8510 McAlpines Park Drive, Suite 108 Charlotte, NC 28211 U.S.A.
TOLL-FREE: 800 877 6656 FAX.: +1 704 365 0818
WEBSITE: www.ot-inc.com

European Subsidiary

OPTEX Technologies B.V.

Henricuskade 17, 2497 NB The Hague, The Netherlands
TEL.: +31(0)70 419 41 00 FAX.: +31(0)70 317 73 21 E-MAIL: info@optex.eu
WEBSITE: www.optex.eu