

Microwave Door Sensor



OM-105C

Directional recognition model

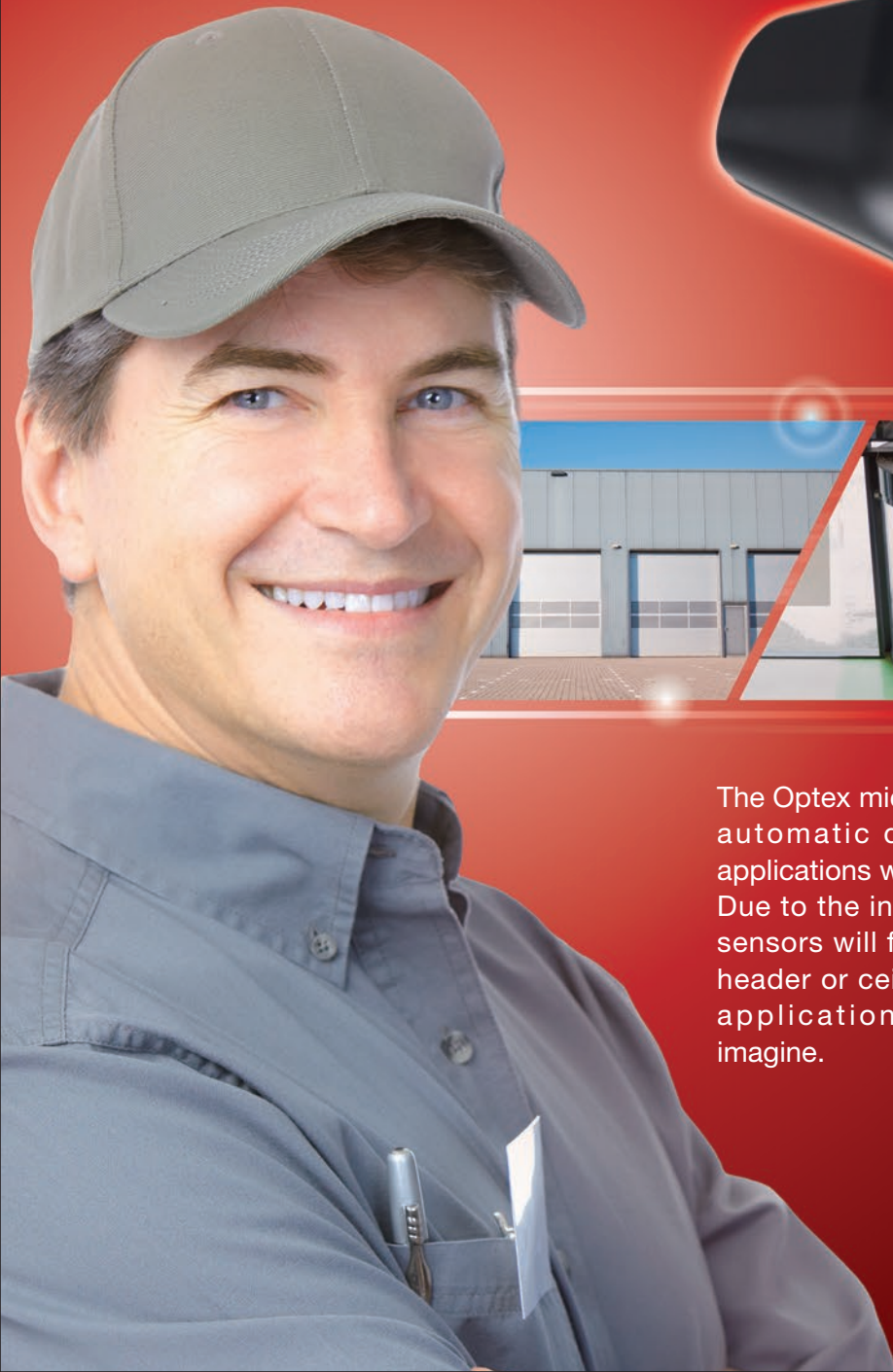


OM-106C



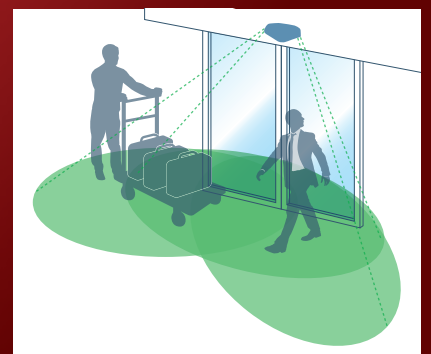
Black

Silver



The Optex microwave sensors provide fast detection for all automatic door installations and particularly for applications with high speed entries.

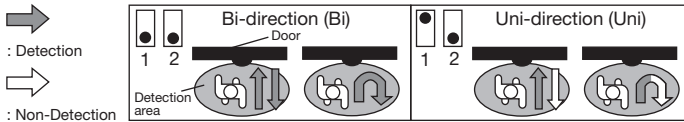
Due to the industrial design and easy installation these sensors will fit on every header or ceiling in any application you can imagine.



Bi / Uni directional setting (OM-106C only)

By selecting the uni directional mode the sensor will only detect traffic approaching the door, allowing the door to close more quickly for departing traffic.

Fast closing of doors offers a large benefit for the end user, because the doors will stay open for a limited time and therefore they will contribute to saving energy.



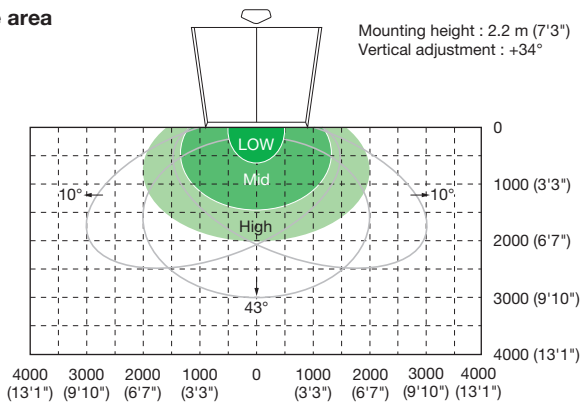
Auto-Caution Mode (OM-106C only)

Auto-caution mode guarantees more reliability to prevent the door from closing, even if a person is wavering in the detection area. OM-106C will change immediately from unidirectional to multi directional for safety purposes.

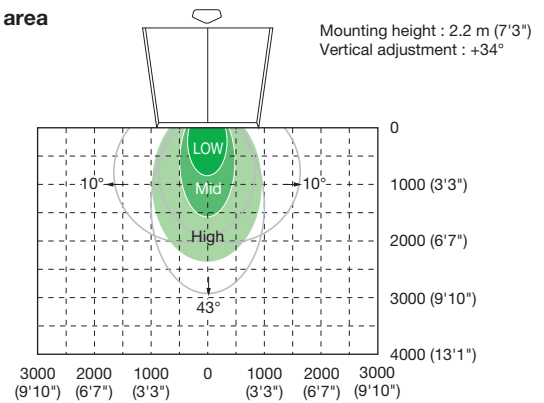


Detection Area

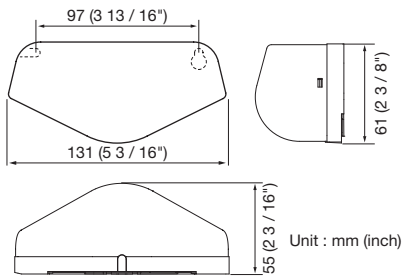
Wide area



Narrow area

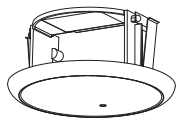


Dimensions



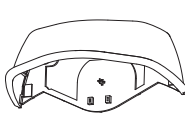
Options

Ceiling mount bracket



MW-CMK

Rain cover



RH-S

Specifications

Model	OM-105C / 106C
Cover color	Black / Silver
Mounting height	2.0 (6'7") to 3.5 m (11'5")
Detection method	Microwave doppler effect
Power frequency	24.125 GHz
Power density	< 20 dBm
Detection area	See detection area
Vertical adjustment	+10 to +70° (Header mount) +20 to +80° (Ceiling mount)
Horizontal adjustment	30° to left or right
Power supply	12 to 24 VAC (±10%) 12 to 30 VDC (±10%)
Power consumption	< 1.5 W (< 2 VA at AC)
Minimum speed	5 cm (1 15/16") / sec.
Operation indicator	Green / Stand-by Red / Detection Green blinking / Set-up

Output	Form C relay 50 V 0.3 A Max. (Resistance load)
Output hold time	0.5 sec. / 2.0 sec.
Response time	< 0.3 sec.
Operating humidity	< 80%
Operating temperature	-20 to +55 C° (-4 to 131° F)
IP rate	IP54
Weight	140 g (4.9 oz)
Accessories	1 Cable 3 m (9'10") 1 Operation manual 2 Mounting screws 1 Mounting template 1 Narrow lens*

Manufacturer / Asia sales Div.

OPTEX CO.,LTD.

5-8-12 Ogoto Otsu Shiga 520-0101 Japan
 TEL.: +81-77-579-8360 FAX.: +81-77-579-8190

Asia Sales Div.

TEL.: +81-77-579-8030 FAX.: +81-77-579-8136
 WEBSITE: www.optex.co.jp/as/eng/index.html

North and South American Subsidiary

OPTEX INCORPORATED. AMERICAS HEADQUARTERS

18730 South Wilmington Ave. Suite 100 Rancho Dominguez, CA 90220 U.S.A.
 TOLL-FREE: 800 877 6656 FAX.: +1 310 214 8655
 WEBSITE: www.optextechnologies.com

East Coast Office

8510 McAlpines Park Drive, Suite 108 Charlotte, NC 28211 U.S.A.
 TOLL-FREE: 800 877 6656 FAX.: +1 704 365 0818
 WEBSITE: www.optextechnologies.com

European Subsidiary

OPTEX Technologies B.V.

Tiber 2, 2491 DH The Hague, The Netherlands
 TEL.: +31(0)70 419 41 00 FAX.: +31(0)70 317 73 21 E-MAIL: info@optex.nl
 WEBSITE: www.optex.eu