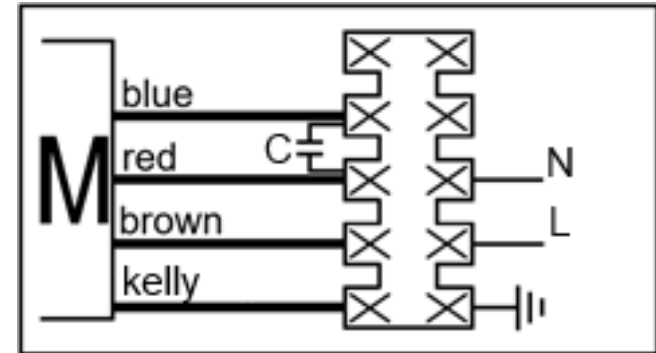


	Product model	<b>YDWF67L150P2-B190X62</b>
	Product type	External rotor axial flow fan
	Customer	乌克兰 (Ukraine)
	Product number	MAER - 20160102
	Certification	CE, CCC

**Condition of use:**

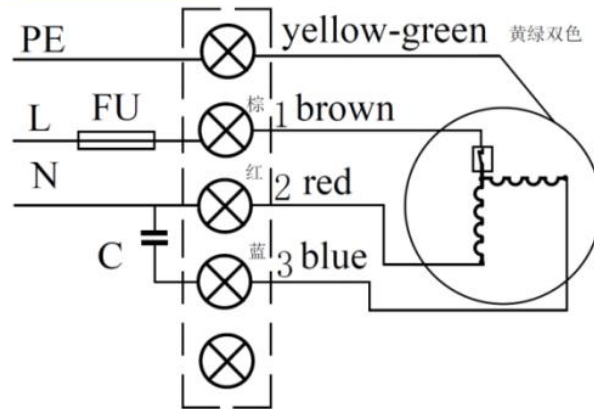
- 1) Voltage and frequency: 1 ~ 220V + 5% (50 Hz)
- 2) Qualification requirements. Lead cable: lead our, recommended lead wire is not less than 1.5m.
- 3) Installation position: vertical or upward.
- 4) Ambient temperature: -25 ~ 80°C.

**THE EXTERNAL WIRING DIAGRAM:**



Performance parameters at key point:						
①	psf	I	P1	n	Q	Note
	(pa)	(A)	(W)	(r/min)	(m³/h)	
①	0	0.25	57	2513	517	
②	94	0.26	59	2476	437	
③	188	0.27	62	2419	308	IMAX

**WIRING DIAGRAM**



**TECHNICAL SPECIFICATION:**


1. All parts of fan should be properly assembled, no oil or dirt on the surface, no obvious distortion, mechanical damage and other defects.
2. Fan rotation is flexible; no delay no operation sound, no scratch and other undesirable phenomena.
3. The safety requirement of fan is performed according to GB12350-2009, the electrical strength is 1800V•min, and the insulation resistance is not less than 100M Ω at room temperature.
4. Motor insulation class, F CLASS.
5. Motor protection level, IP44, fan protection level, IP2X.
6. The fan balance level is: 2734± 10% r/min high G6. 3, vibration value is less than 5.4mm/s.

**Test data at free:**

Connection	UAC (V)±5%	f (Hz)	P1 (W)±10%	I (A)±10%	n (r/min)±10%	Noise db(A)
state	1 ~220V	50	58	0.25	2513	65

**Nameplate:**

	<b>YDWF67L15P2-B190x62</b> 1~220V50Hz 2μF / 450V 62W 0.27A 2419r/min @ 188Pa CL. F IP44 2018/07 <a href="tel:+380678807231">Tel:+380678807231</a> web:www.iceteco.com e-mail:iceteco@gmail.com					state	Deliver before	The signature	(date) (month) (year)	ZHEJIANG MAER FAN MOTOR CO., LTD.
	drawing	After the confirmation				Product Specification				
	audit									
	approval									

62W 0.27A 2419r/min @ 188Pa CL. F IP44 2018/07 <a href="tel:+380678807231">Tel:+380678807231</a> web:www.iceteco.com e-mail:iceteco@gmail.com				(year)	MOTOR CO., LTD.
		After the confirmation			Product Specification
		drawing			
		audit			
		approval			

**TECHNICAL SPECIFICATION:**

1. All parts of fan should be properly assembled, no oil or dirt on the surface, no obvious distortion, mechanical damage and other defects.
2. Fan rotation is flexible; no delay no operation sound, no scratch and other undesirable phenomena.
3. The safety requirement of fan is performed according to GB12350-2009, the electrical strength is 1800V●min, and the insulation resistance is not less than 100M Ω at room temperature.
4. Motor insulation class, F CLASS.
5. Motor protection level, IP44, fan protection level, IP2X.
6. The fan balance level is: 2734± 10% r/min high G6.  
3, vibration value is less than 5.4mm/s.