

TECHNICAL SPECIFICATION:

- All parts of fan should be properly assembled, no oil or dirt on the surface, no obvious distortion, mechanical damage and other defects.
- Fan rotation is flexible, no delay no operation sound, no scratch and other undesirable phenomena.
- The safety requirement of fan is performed according to GB12350-2009, the electrical strength is 1500V•min, and the insulation resistance is not less than 100M Ω at room temperature.
- Motor insulation class, F CLASS.
- Motor protection level, IP44, fan protection level, IP2X.
- The fan balance level is: $925 \pm 10\%$ r/min high G6. 3, vibration value is less than 5.4mm/s.
- MAER box.
- Built-in heat protector.



Product model	YSWF127L50P6-840N-710B
Product type	External rotor axial flow fan
Customer	乌克兰 (Ukraine)
Product number	MAER – 1606280
Certification	CE, CCC

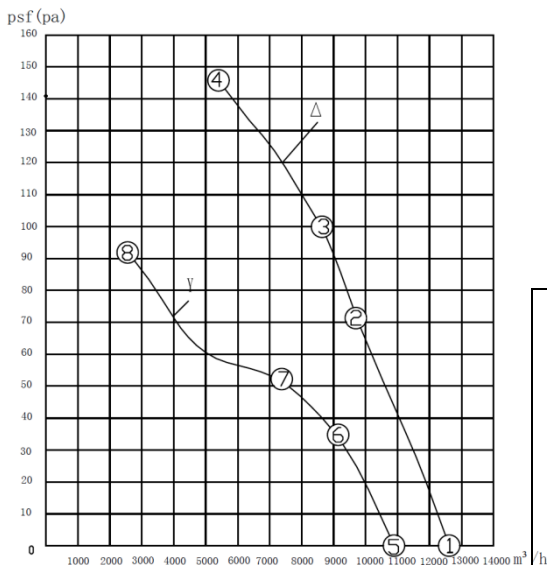
Condition of use:

- Voltage and frequency: $\Delta / Y, 3 \sim 380V + 5\%$ (50 Hz)
- Qualification requirements: Terminal block, the recommended standard of lead wire is not less than 1.0mm².
- Installation position: vertical or upward.
- Ambient temperature: -40 ~ 60°C.

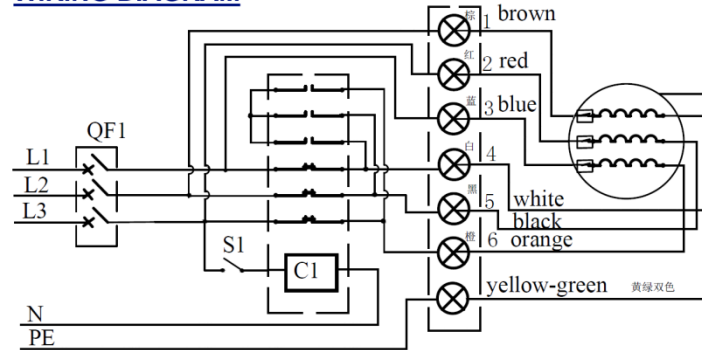
Performance parameters at key point:

Δ	psf (pa)	I (A)	P1 (W)	n (r/min)	Q (m ³ /h)	Note
①	0	1.83	573	949	12613	
②	71	1.87	678	935	9735	
③	99	1.89	714	930	8726	MAX EFF.
④	145	1.95	805	918	5404	IMAX
Y						
⑤	0	1.01	569	765	10888	
⑥	34	1.06	607	738	9105	
⑦	52	1.08	618	728	7299	MAX EFF.
⑧	92	1.22	708	645	2559	IMAX

PS: Fan working performance tested with MAER wall plate, and under standard atmospheric pressure at 20°C



WIRING DIAGRAM



QF1 – run control air switch, QF1 switched on.
C1 – Y/Δ operation control contactor, S1 disconnect, Δ connection;
S1 connected, Y connection.

Test data at free:

Connection	UAC (V)±5%	f (Hz)	P1 (W)±10%	I (A)±10%	n (r/min)±10%	Noise db(A)
Δ	3~380V	50	810	1,90	925	73
Y	3~380V	50	628	1,10	801	70

Nameplate:



YSWF127L50P6-840N-710 B 3~380V50Hz 20μF / 450V

Δ: 714W 1.89A 930r/min @ 99Pa

Y: 618W 1,08A 728r/min @ 52Pa

CL. F IP54 2018/07

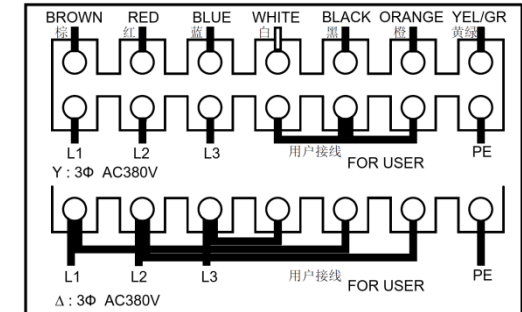
Tel:+380678807231, +380500679006

web:www.iceteco.com

e-mail: iceteko@gmail.com



THE EXTERNAL WIRING DIAGRAM:



MARK



MAER AXIAL FAN MOTOR
MOTORS & FANS

MODEL: **YSWF127L50P6-840N-710 BLOWING**

6D-710-B

VOLTAGE: 380V / 50Hz

N.W/G.W. 21.8/25.3 kg

MEAS: 79.5x79.5x28.5 cm

CL. F WITH TERMINAL BOX



20180718X

		The signature	(date)(month)(year)	ZHEJIANG MAER FAN MOTOR CO., LTD.
state	Deliver before			Product Specification
	After the confirmation			
drawing				
audit				
approval				