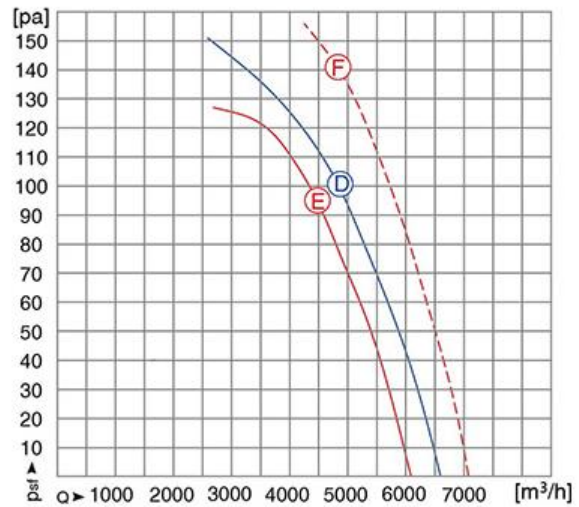
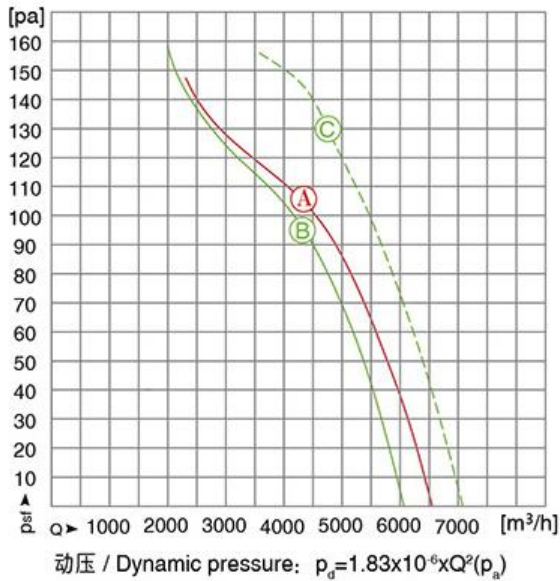
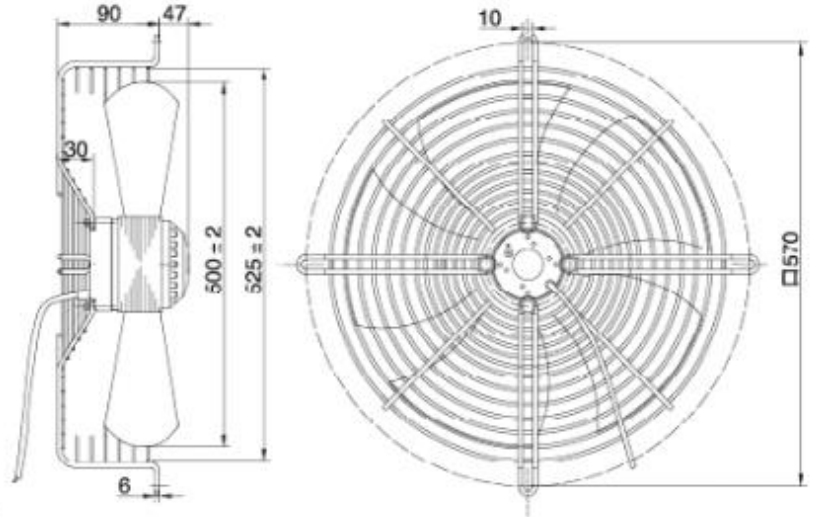


Φ450



型号 MODEL	电压 UAC	频率 f	电容器 C	曲线 CURVE	输入功率 P1	转速 n	电流 I	静压 Psf	环境温度 Temp.	静压效率 ηsf	能效值 EFF. Grade	噪声 Noise	备注 Note
	V	Hz	μF/450V	NO.	W	r/min	A	Pa	°C	%	N	dB(A)	
YDWF102L45P4-□-450	1~220	50	16	A	521	1387	2.36	108	-40~+80	24.03	32	73	
YDWF102L45P4-□-450	1~220	50	16	B	438	1412	2.00	97	-40~+85	26.67	35.1	71	
YDWF102L45P4-□-450	1~220	60	16	C	676	1600	3.09	130	-40~+80	25.33	32.6	74	
YSWF102L45P4-□-450	3~380	50	—	D	498	1404	1.11	102	-40~+80	27.3	35.6	73	
YSWF102L45P4-□-450	3~380	50	—	E	433	1419	1.00	96	-40~+85	27.41	35.9	71	
YSWF102L45P4-□-450	3~380	60	—	F	667	1627	1.18	141	-40~+80	28.00	35.3	74	

注：性能曲线在安装马尔导风圈时测得；□表示安装附件。

Note: the performance curve obtained by installation MAER wall plate measurement ; □ express installation accessories.