

# QFR8/BP-1A

cubic photosensors

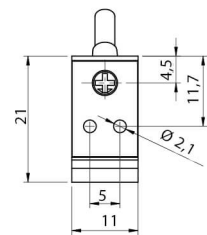
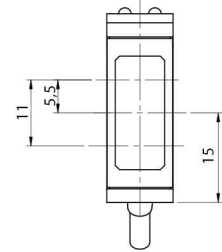
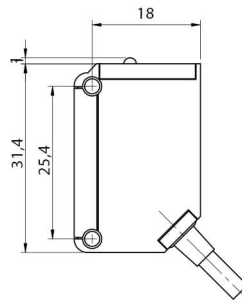


Micro Detectors

Italian Sensors Technology



Indicative image



## Detection properties

Nominal sensing distance 1000mm white target 90% Kodak 200x200mm

Repeat Accuracy 5%

Sensitivity adjustment Trimmer

## Application

Function Principle Diffuse reflection (long distance, >600mm)

Notes White target 90% Kodak 200x200mm

Emitter/Receiver Emitter/Receiver

Optic position 90°

## Outputs

Output type PNP

Output Function NO+NC

Switching frequency 1kHz

## Electrical data

Operating Voltage 10-30Vdc

No-Load supply current ≤25mA

Load current ≤100mA

Leakage current	≤100μA
Output voltage drop	2V max. IL =100 mA
Max ripple content	10%
LED indicators	Yellow (status output) , green (power on, excess gain)
Time delay before availability	≤30ms
Short-circuit protection	Yes
Reverse Polarity Protection	Yes
Emission	Red (617nm)
Interference to external light	≤10000lux
Impulsive Overvoltage Protection	Yes

## Mechanical data

Dimensions	31,4x21x11mm
Weight	100g
Housing Material	Stainless steel 316L
Connections	2m PVC cable
Active Head Material	PPSU
Operating temperature	- 25°C...+ 60° C (Without freeze)
Storage temperature	-40° ... +70°C
Diameter/Dimension	Cubic

## Test/Approvals

Approvals	CE cULus, ECOLAB
EMC compatibility	EN 60947-5-2
Shocks and vibrations	Vibration IEC 60068-2-6 / Shock IEC 60068-2-27
Degree of protection	IP68, IP69K

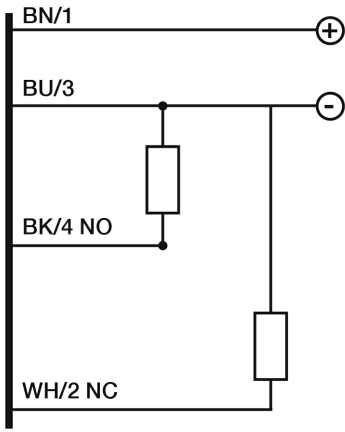
## Accessories

Supplied Accessories Mouting bracket screwdriver

---

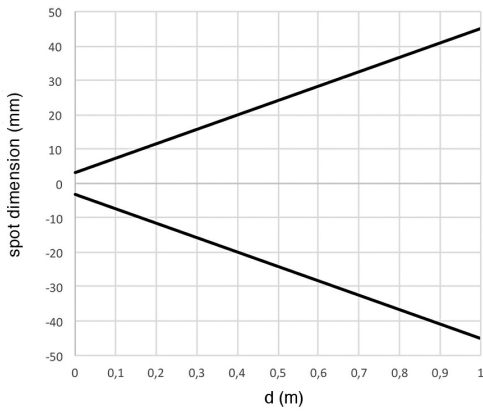
# ELECTRICAL DIAGRAMS OF THE CONNECTIONS

---

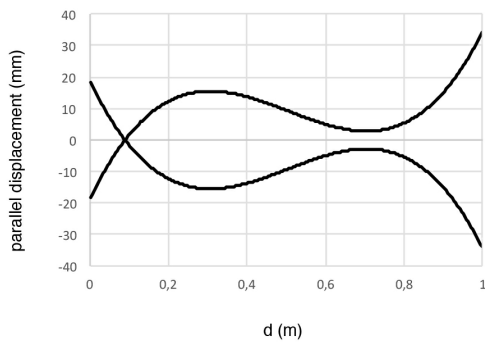


# RESPONSE CURVES

## Dimensione Spot



## Disassamento Parallelo



41122 Modena (MO)  
Tel. 059 420411  
Fax 059 253973  
E-mail [info@microdetectors.com](mailto:info@microdetectors.com)