

### Input data

System of measurement		Metric
Input type		Coupling for electric motor
Input speed	[rpm]	1400
Output speed	[rpm]	158.37
Ratio (i=)		8.84
Frequency	[Hz]	50
Input options		IEC
Requested input power	[kW]	3
Service factor		2.8
Rated Power P1	[kW]	8.29

### Output data

#### **Gear unit** S RN 32 B3 H1 8.84 100 B14 AC 35

Type		RN - Parallel shaft reducers
Input type		S (Elastic coupling)
Size		32
Ratio (i=)		8.84
Input flange		B14
Mounting position		H1
Input speed	[rpm]	1400
Output speed	[rpm]	158.37
Rated output torque	[Nm]	173.67
Service Factor		2.8
Efficiency		0.96
Inertia moment	[kgm <sup>2</sup> ]	3.2176

#### **Gear unit configuration**

Output shaft		Hollow output shaft
Fixing		Feet

#### **Output radial and axial loads**

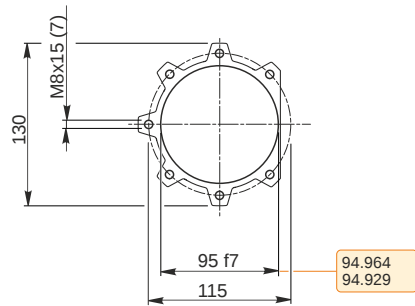
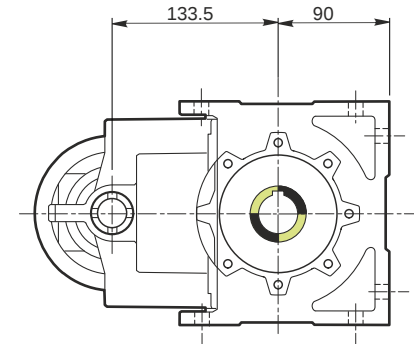
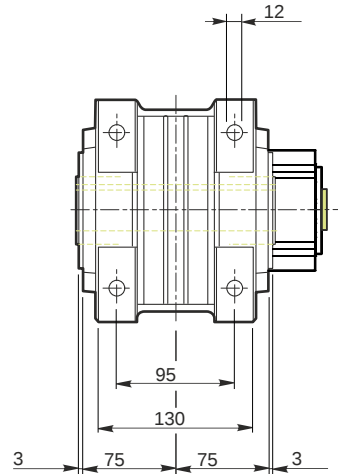
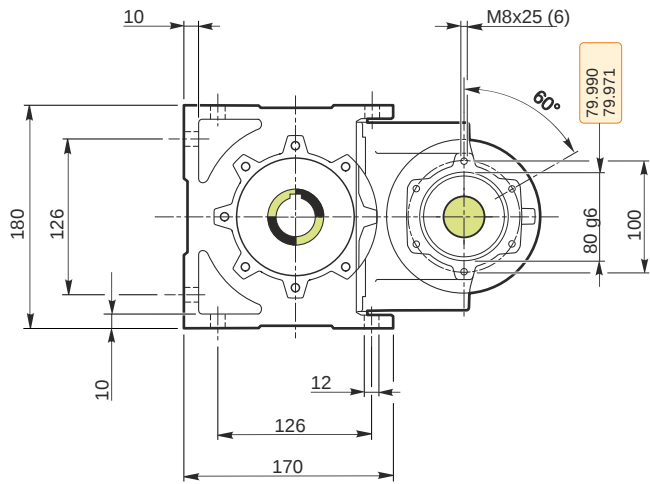
Output radial load	[N]	5180
Output axial load	[N]	1036

#### **Accessories**

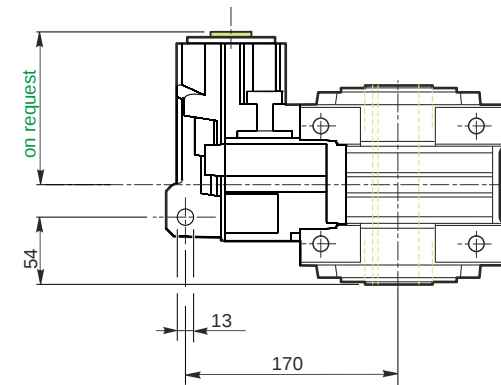
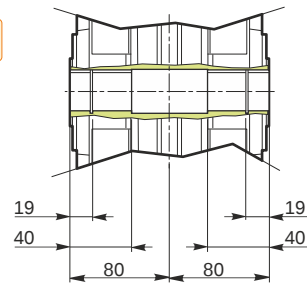
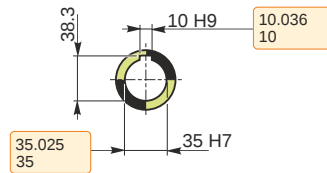
Hollow output shaft		AC 35
---------------------	--	-------

#### **Electric motor coupling**

Size		100 B4
Poles n.		4
Power	[kW]	3



**Hollow output shaft AC**



**S RN 32 B3 H1 8.84 100 B14 AC 35**

**Mounting positions**

**H1**

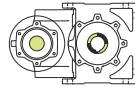
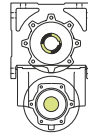
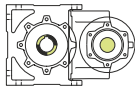
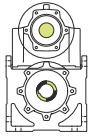
**H2**

**H3**

**H4**

**V1**

**V2**



1.1

1.3

0.8

1.3

1.2

1.2



Oil quantity [litres]

Lubricant type: Long life synthetic oil ISO VG320

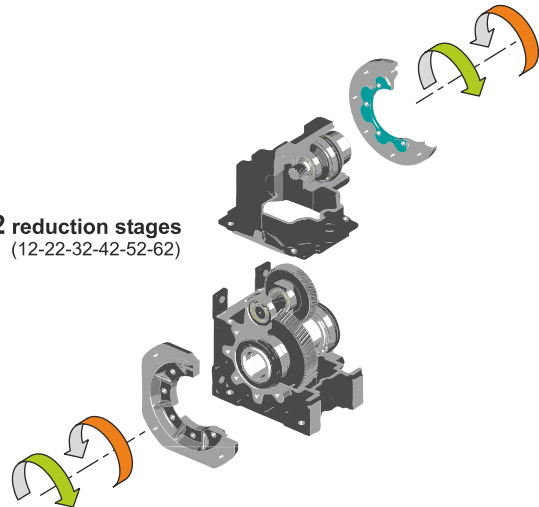
**Direction of rotation**

**Weight**

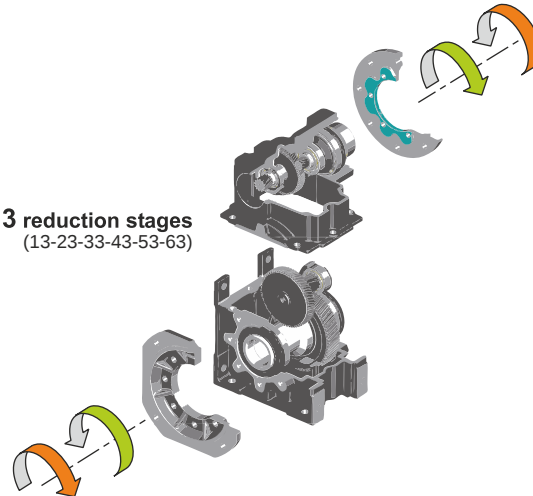
Gear unit [kg]

12.5

**2 reduction stages**  
(12-22-32-42-52-62)



**3 reduction stages**  
(13-23-33-43-53-63)



**S RN 32 B3 H1 8.84 100 B14 AC 35**