

The power behind your lights



Model: JLV-12300KL/24300KL Size: 303\*53\*21.5mm



**Brief Information**

**300W** *Ultra-Slim & Flat*

**Power Supply (C.V.)**

Model JLV-12300KL / JLV-24300KL

Input 170-250V AC

Output 12VDC 30A 400W / 24VDC 15A 300W

**Product Features**

- Ultra-slim & flat size, perfect for light boxes
- High transfer efficiency
- Endurable & stable quality
- 100% full loading, 100% burn-in tested
- Superb quality
- Overload/short circuit protection

**MAIN ELECTRICAL DATA**

**AC Input**

Input Voltage	170-250V
Input Frequency	50/60Hz
Efficiency (Typ.)	85%
Input Current	230V: 2.1A max.
Inrush Current	40A
Leakage Current	3mA/230VAC

**DC Output**

Output Voltage	12V	24V
Rated Current	25A	12.5A
Rated Power	300W	300W
Ripple & Noise (Max.)	<150mVp-p	<150mVp-p
Setup, Rise Time	1500ms/230VAC	1500ms/230VAC
Line Regulation	1%	1%
Load Regulation	2%	2%

**Service Environment**

Working Temp.	-30°C~60°C
Working Humidity	20~90%RH
Storage Temp.	-40°C~80°C
Storage Humidity	10~95%RH

**Protection**

Overload	Yes, cut-off actives while overload 5~25% Recovery after load reduces
Short Circuit	Yes, hiccup mode, recovers automatically after fault condition is removed

**Safety**

Safety Standard	EN 61347-2-13
Withstand Voltage	I/P-O/P: 3KVAC I/P-GND: 1.5KVAC O/P-GND: 0.5KVAC
Isolation Resistance	I/P-O/P: >100M Ohms / 500VDC /25°C / 70%RH

**Packaging Information**

Product Dimension	303*53*21.5mm
Products Net Weight	350G
PCS/Carton(QTY)	42 PCS
Master Carton Size	37*33*21cm
G. Weight/ Carton	16KG

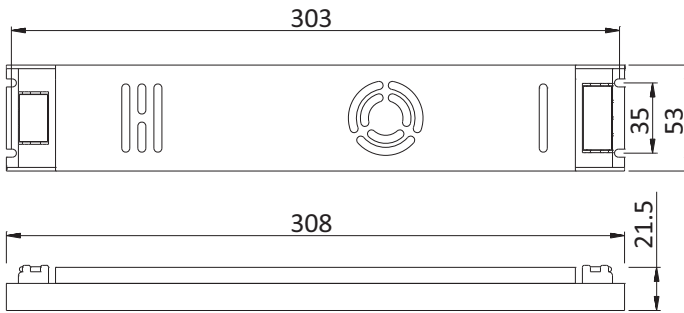
**Installation Tips:**

- Please identify the power supply's input and output before installation.
- Ensure correct output + & - wire connection.  
Power on after wire connection is done.
- To avoid voltage drop and loading capacity wasting on the output extension wire, please install the power supply to the loading as near as possible, if must use long extension wires, thicker wires and less loading wattage is required.
- The power supply to be installed at good ventilation and cooling environment.

The power behind your lights

## Physical Drawing

Unit: mm



### Brief Information

**300W** Ultra-Slim & Flat

Power Supply (C.V.)

Model JLV-12300KL / JLV-24300KL

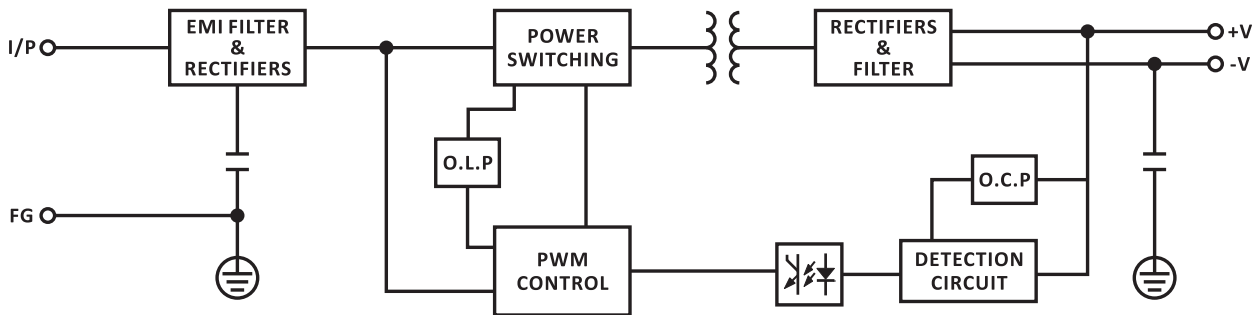
Input 170-250V AC

Output 12VDC 30A 400W / 24VDC 15A 300W

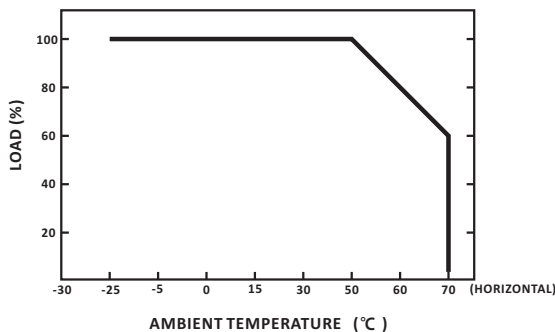
### Product Features

- Ultra-slim & flat size, perfect for light boxes
- High transfer efficiency
- Endurable & stable quality
- 100% full loading, 100% burn-in tested
- Superb quality
- Overload/short circuit protection

## Block Diagram



## Derating Curve



## Static Characteristics

