



# HIGH PERFORMANCE

EVEREXCEED AGM TECHNOLOGY



## FT12V120B

VALVE REGULATED

LEAD ACID BATTERY (AVR)

FOR COMMUNICATION

STANDBY POWER APPLICATIONS

12V 120AH @ 10 HR RATE to 1.80VPC

12V 119AH @ 8 HR RATE to 1.75VPC

12V 363 WATTS/CELL @ 15MIN RATE to 1.67VPC

# LONG DURATION

### Innovative Features

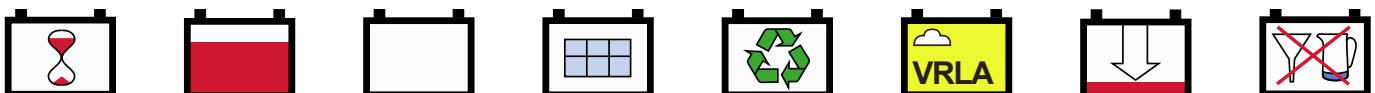
- ◆ Virgin Pure Lead Tin and thick positive plate technology design for maximum service float life - 12 years design life @ 20°C(68°F);
- ◆ UL Recognized component;
- ◆ Valve regulated lead acid battery (VRLA);
- ◆ Optimized high-compression Absorbed Glass Mat (AGM) materials significantly enhance performance and reliability, greater than 99% recombination efficiency;
- ◆ Proprietary Fixed Orifice Plate Pasting technology applying active materials on both sides of the grid for consistent cell-to-cell performance, higher capacity and uniform grid protection.
- ◆ Advanced triple stage unique terminal sealing design to ensure leak free operation;
- ◆ Low self-discharge rate < 3% per month;
- ◆ Heavy duty M6 / M8 Female copper plated terminals provide maximum performance and easy installation, reduce maintenance and increase safety;
- ◆ Advanced lead high-tin low-calcium alloy, reduces grid corrosion and promotes long battery life;
- ◆ Standard: Reinforced ABS (UL 94HB) container and cover; Optional: Flame-retardant reinforced ABS case and cover compliant with U.L.94 V-0 with an Oxygen Limiting Index of greater than 28%;
- ◆ Designed to withstand extreme temperature degrees and performance without degradation;
- ◆ Flame arresting, low pressure safety release venting system for individual cells, recognized per U.L.924;

12 VOLTS - 120 AMPERE HOUR @ 10 HOUR RATE

AH Capacity to 1.80VPC @ 20°C (68°F)

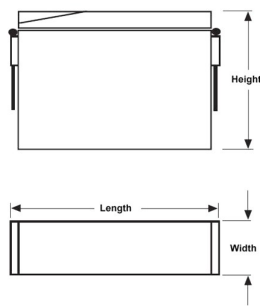
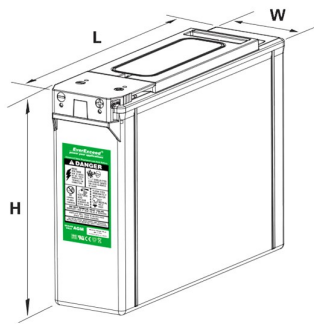
| End Point Volts/Cell | 1hr  | 2hr  | 3hr  | 4hr | 5hr | 6hr | 8hr | 10hr | 20hr |
|----------------------|------|------|------|-----|-----|-----|-----|------|------|
| 1.80                 | 74.4 | 87.6 | 96.6 | 102 | 106 | 113 | 115 | 120  | 130  |

For UPS / Solar / Telecommunication Applications

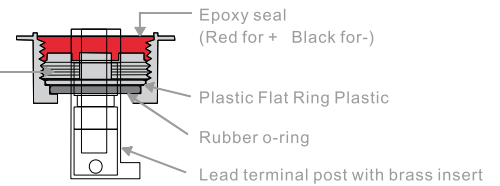


# FT AGM Range VRLA

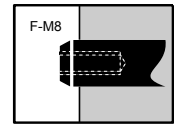
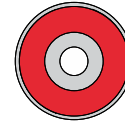
**EverExceed**<sup>®</sup>  
power your applications



Plastic screwed cap to hold down flat and o-ring



Length (L): 550 mm  
Width (W): 110 mm  
Height (H): 240 mm



## Electrical Specifications

| Cells Per Unit | Voltage Per Unit | Weight         | Electrolyte | Maximum discharge current ( 5s ) | Short Circuit Current | Internal Resistance (mΩ) |
|----------------|------------------|----------------|-------------|----------------------------------|-----------------------|--------------------------|
| 6              | 12.84            | 70.4lbs 32.0kg | SG = 1.300  | 1320Amps                         | 3200Amps              | 4.5                      |

|  |  |
|--|--|
| <b>Capacity</b>  | 120 Ah @ 10 hr. rate to 1.80 volts per cell @ 20°C (68°F).<br>119 Ah @ 8 hr. rate to 1.75 volts per cell @ 20°C (68°F).<br>363 Watts per all at the 15 minute rate to 1.67 volts per cell @ 20°C (68°F). |
| <b>Applicable Operating Temperature Range</b>              | -40°C (-40°F) to +70°C (+158°F).   |
| <b>Ideal Operating Temperature Range</b>                   | +20°C (+68°F) to +28°C (+82.4°F).  |
| <b>Floating Charging Voltage</b>                           | 13.5 to 13.8 VDC/unit Average at 20°C (77°F).  |
| <b>Recommended Maximum Charging Current Limit</b>          | 30 Amperes ( 0.25C10 Amperes )   |
| <b>Equalization and Cycle Service Charging Voltage</b>     | 14.1 to 14.4 VDC/unit Average at 20°C (77°F).  |
| <b>Maximum AC Ripple (Charger)</b>                         | 0.5% RMS or 1.5% P-P of float charge voltage recommended for best results.<br>Maximum voltage allowed = 0.5% RMS (4% P-P).<br>Maximum current allowed = 0.60 amperes RMS (C/10 ) to 1.80VPC.             |
| <b>Self Discharge</b>                                      | EverExceed FT AGM Range batteries may be stored for up to 12 months at 20°C~25°C (68°F~77°F) and then a freshening charge is required. For higher temperatures the time interval will be shorter.        |
| <b>Accessories</b>   | Inter unit connectors racks and cabinet systems are available.   |
| <b>Terminal: Inserted</b>                                  | Threaded copper alloy insert terminal  |
| <b>Terminal Hardware Initial Torque: Inserted Terminal</b> | 11 NM  |

## Constant Power Discharging Ratings - Watts Per Cell @ 20°C (68°F)

| End Point Volts/Cell | 5min | 10min | 15min | 30min | 45min | 60min | End Point Volts/Cell | 2hr  | 3hr  | 4hr  | 5hr  | 6hr  | 8hr  | 10hr | 20hr |
|----------------------|------|-------|-------|-------|-------|-------|----------------------|------|------|------|------|------|------|------|------|
| 1.80                 | 501  | 383   | 319   | 207   | 158   | 131   | 1.85                 | 83.9 | 60.1 | 48   | 40.5 | 39.7 | 27.7 | 23.2 | 13.1 |
| 1.75                 | 551  | 410   | 346   | 215   | 163   | 135   | 1.8                  | 88   | 63.4 | 50.1 | 41.6 | 41.8 | 28.7 | 23.7 | 13.4 |
| 1.67                 | 600  | 441   | 363   | 219   | 164   | 136   | 1.75                 | 90.2 | 64.6 | 50.9 | 42.5 | 42.8 | 29.1 | 24.3 | 13.6 |

## Constant Current Discharging Ratings - Ampere per Cell @ 20°C (68°F)

| End Point Volts/Cell | 5min | 10min | 15min | 30min | 45min | 60min | End Point Volts/Cell | 2hr  | 3hr  | 4hr  | 5hr  | 6hr  | 8hr  | 10hr | 20hr |
|----------------------|------|-------|-------|-------|-------|-------|----------------------|------|------|------|------|------|------|------|------|
| 1.80                 | 329  | 247   | 195   | 125   | 94.2  | 78.0  | 1.85                 | 42.9 | 30.6 | 24.2 | 19.9 | 17.8 | 13.9 | 11.6 | 6.30 |
| 1.75                 | 382  | 278   | 211   | 130   | 99.0  | 80.4  | 1.8                  | 45.9 | 32.6 | 25.5 | 21.2 | 18.8 | 14.3 | 12.0 | 6.48 |
| 1.67                 | 410  | 300   | 221   | 134   | 101   | 82.2  | 1.75                 | 47.1 | 33.2 | 26.3 | 21.6 | 19.5 | 14.9 | 12.2 | 6.60 |

Note: Batteries to be mounted with 0.5 in (1.25 cm) spacing minimum and free air ventilation.  
Specifications subject to change without notification.

