



EVEREXCEED AGM TECHNOLOGY

FT12V100B

VALVE REGULATED

LEAD ACID BATTERY (AVR)

FOR COMMUNICATION

STANDBY POWER APPLICATIONS

12V 100AH @ 10 HR RATE to 1.80VPC

12V 99.2AH @ 8 HR RATE to 1.75VPC

12V 305 WATTS/CELL @ 15MIN RATE to 1.67VPC

**LONG
DURATION**

**HIGH
PERFORMANCE**

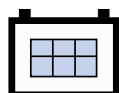


Innovative Features

- ◆ Virgin pure Lead, Tin and thick positive plate technology for 12 years design life in float applications @ 20°C(68°F).
- ◆ UL Recognized component;
- ◆ Valve regulated lead acid battery (VRLA);
- ◆ Optimized high-compression Absorbed Glass Mat (AGM) materials significantly enhance performance and reliability, greater than 99% recombination efficiency;
- ◆ Proprietary Fixed Orifice Plate Pasting technology applying active materials on both sides of the grid for consistent cell-to-cell performance, higher capacity and uniform grid protection.
- ◆ Advanced triple stage unique terminal sealing design to ensure leak free operation;
- ◆ Low self-discharge rate < 3% per month;
- ◆ Heavy duty M6 / M8 Female copper plated terminals provide maximum performance and easy installation, reduce maintenance and increase safety;
- ◆ Advanced lead high-tin low-calcium alloy, reduces grid corrosion and promotes long battery life;
- ◆ Standard: Reinforced ABS (UL 94HB) container and cover;
Optional: Flame-retardant reinforced ABS case and cover compliant with U.L.94 V-0 with an Oxygen Limiting Index of greater than 28%;
- ◆ Designed to withstand extreme temperature degrees and performance without degradation;
- ◆ Flame arresting, low pressure safety release venting system for individual cells, recognized per U.L.924;

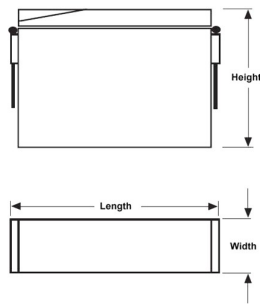
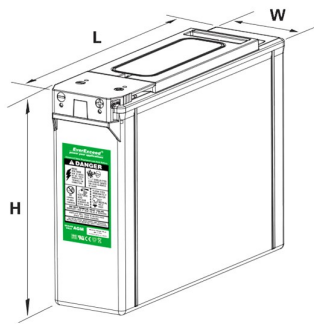
12 VOLTS - 100 AMPERE HOUR @ 10 HOUR RATE									
AH Capacity to 1.80VPC @ 20°C (68°F)									
End Point Volts/Cell	1hr	2hr	3hr	4hr	5hr	6hr	8hr	10hr	20hr
1.80	62.0	73.0	80.5	85.0	88.5	94.0	95.5	100	108

For Mobility / Solar / Marine Telecommunication Applications

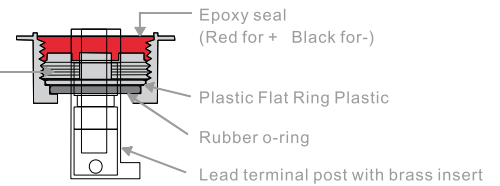


FT AGM Range VRLA

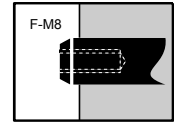
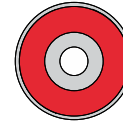
EverExceed[®]
power your applications



Plastic screwed cap to hold down flat and o-ring



Length (L): 395 mm
Width (W): 110 mm
Height (H): 285 mm



Electrical Specifications						
Cells Per Unit	Voltage Per Unit	Weight	Electrolyte	Maximum discharge current (5s)	Short Circuit Current	Internal Resistance (mΩ)
6	12.84	68.2lbs 31.0kg	SG = 1.300	1200Amps	2950Amps	4.9

Capacity	100 Ah @ 10 hr. rate to 1.80 volts per cell @ 20°C (68°F). 99.2 Ah @ 8 hr. rate to 1.75 volts per cell @ 20°C (68°F). 305 Watts per all at the 15 minute rate to 1.67 volts per cell @ 20°C (68°F).
Applicable Operating Temperature Range	-40°C (-40°F) to +70°C (+158°F).
Ideal Operating Temperature Range	+20°C (+68°F) to +28°C (+82.4°F).
Floating Charging Voltage	13.5 to 13.8 VDC/unit Average at 20°C (77°F).
Recommended Maximum Charging Current Limit	25.0 Amperes (0.25C10 Amperes)
Equalization and Cycle Service Charging Voltage	14.1 to 14.4 VDC/unit Average at 20°C (77°F).
Maximum AC Ripple (Charger)	0.5% RMS or 1.5% P-P of float charge voltage recommended for best results. Maximum voltage allowed = 0.5% RMS (4% P-P). Maximum current allowed = 0.50 amperes RMS (C/10) to 1.80VPC.
Self Discharge	EverExceed FT AGM Range batteries may be stored for up to 12 months at 20°C~25°C (68°F~77°F) and then a freshening charge is required. For higher temperatures the time interval will be shorter.
Accessories	Inter unit connectors racks and cabinet systems are available.
Terminal: Inserted	Threaded copper alloy insert terminal
Terminal Hardware Initial Torque: Inserted Terminal	11 NM

Constant Power Discharging Ratings - Watts Per Cell @ 20°C (68°F)															
End Point Volts/Cell	5min	10min	15min	30min	45min	60min	End Point Volts/Cell	2hr	3hr	4hr	5hr	6hr	8hr	10hr	20hr
1.80	420	322	267	174	132	110	1.85	70.6	50.7	40.0	35.3	33.3	22.9	19.2	10.7
1.75	462	344	290	180	136	113	1.8	74.3	53.4	42.2	37.2	35.1	24.1	20.0	11.2
1.67	504	370	305	184	137	114	1.75	76.2	54.5	43.0	37.9	35.8	24.6	20.5	11.5

Constant Current Discharging Ratings - Ampere per Cell @ 20°C (68°F)															
End Point Volts/Cell	5min	10min	15min	30min	45min	60min	End Point Volts/Cell	2hr	3hr	4hr	5hr	6hr	8hr	10hr	20hr
1.80	233	175	149	103	77.5	62.0	1.85	35.3	25.3	20.1	16.6	14.8	11.6	9.70	5.25
1.75	265	193	163	106	80.5	64.5	1.8	36.5	26.8	21.3	17.7	15.7	11.9	10.0	5.40
1.67	306	214	176	108	81.5	65.5	1.75	37.3	27.5	21.9	18.0	16.3	12.4	10.2	5.50

Note: Batteries to be mounted with 0.5 in (1.25 cm) spacing minimum and free air ventilation.
Specifications subject to change without notification.

