



EVEREXCEED AGM TECHNOLOGY

FT12V190

VALVE REGULATED

LEAD ACID BATTERY (AVR)

FOR COMMUNICATION

STANDBY POWER APPLICATIONS

12V 190AH @ 10 HR RATE to 1.80VPC

12V 188AH @ 8 HR RATE to 1.75VPC

12V 588 WATTS/CELL @ 15MIN RATE to 1.67VPC

LONG DURATION

HIGH PERFORMANCE



Innovative Features

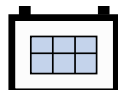
- ◆ Virgin Pure Lead Tin and thick positive plate technology design for maximum service float life - 12 years design life @ 20°C(68°F);
- ◆ UL Recognized component;
- ◆ Valve regulated lead acid battery (VRLA);
- ◆ Optimized high-compression Absorbed Glass Mat (AGM) materials significantly enhance performance and reliability, greater than 99% recombination efficiency;
- ◆ Proprietary Fixed Orifice Plate Pasting technology applying active materials on both sides of the grid for consistent cell-to-cell performance, higher capacity and uniform grid protection.
- ◆ Advanced triple stage unique terminal sealing design to ensure leak free operation;
- ◆ Low self-discharge rate < 3% per month;
- ◆ Heavy duty M6 / M8 Female copper plated terminals provide maximum performance and easy installation, reduce maintenance and increase safety;
- ◆ Advanced lead high-tin low-calcium alloy, reduces grid corrosion and promotes long battery life;
- ◆ Standard: Reinforced ABS (UL 94HB) container and cover; Optional: Flame-retardant reinforced ABS case and cover compliant with U.L.94 V-0 with an Oxygen Limiting Index of greater than 28%;
- ◆ Designed to withstand extreme temperature degrees and performance without degradation;
- ◆ Flame arresting, low pressure safety release venting system for individual cells, recognized per U.L.924;

12 VOLTS - 190 AMPERE HOUR @ 10 HOUR RATE

AH Capacity to 1.80VPC @ 20°C (68°F)

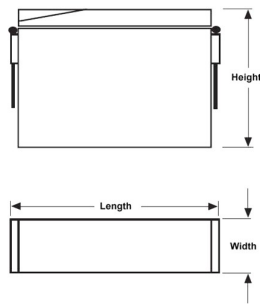
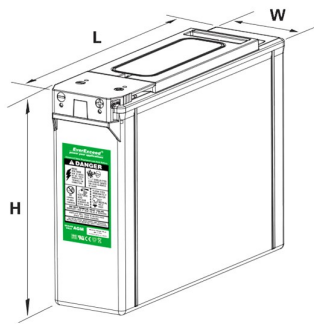
| End Point Volts/Cell | 1hr | 2hr | 3hr | 4hr | 5hr | 6hr | 8hr | 10hr | 20hr |
|----------------------|-----|-----|-----|-----|-----|-----|-----|------|------|
| 1.80 | 118 | 139 | 153 | 162 | 168 | 179 | 181 | 190 | 205 |

For Mobility / Solar / Marine Telecommunication Applications

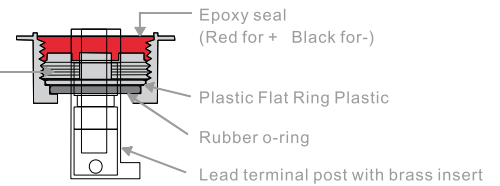


FT AGM Range VRLA

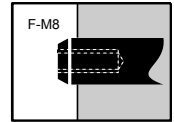
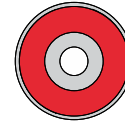
EverExceed®
power your applications



Plastic screwed cap to hold down flat and o-ring



Length (L): 560 mm
Width (W): 125 mm
Height (H): 316 mm



Electrical Specifications

| Cells Per Unit | Voltage Per Unit | Weight | Electrolyte | Maximum discharge current (5s) | Short Circuit Current | Internal Resistance (mΩ) |
|----------------|------------------|---------------|-------------|----------------------------------|-----------------------|--------------------------|
| 6 | 12.84 | 130lbs 59.0kg | SG = 1.300 | 1900Amps | 4800Amps | 3.2 |

| | |
|--|---|
| Capacity | 190 Ah @ 10 hr. rate to 1.80 volts per cell @ 20°C (68°F). 188 Ah @ 8 hr. rate to 1.75 volts per cell @ 20°C (68°F). 588Watts per all at the 15 minute rate to 1.67 volts per cell @ 20°C (68°F). |
| Applicable Operating Temperature Range | -40°C (-40°F) to +70°C (+158°F). |
| Ideal Operating Temperature Range | +20°C (+68°F) to +28°C (+82.4°F). |
| Floating Charging Voltage | 13.5 to 13.8 VDC/unit Average at 20°C (77°F). |
| Recommended Maximum Charging Current Limit | 47.5 Amperes (0.25C10 Amperes) |
| Equalization and Cycle Service Charging Voltage | 14.1 to 14.4 VDC/unit Average at 20°C (77°F). |
| Maximum AC Ripple (Charger) | 0.5% RMS or 1.5% P-P of float charge voltage recommended for best results. Maximum voltage allowed = 0.5% RMS (4% P-P). Maximum current allowed = 0.95 amperes RMS (C/10) to 1.80VPC. |
| Self Discharge | EverExceed FT AGM Range batteries may be stored for up to 12 months at 20°C~25°C (68°F~77°F) and then a freshening charge is required. For higher temperatures the time interval will be shorter. |
| Accessories | Inter unit connectors racks and cabinet systems are available. |
| Terminal: Inserted | Threaded copper alloy insert terminal |
| Terminal Hardware Initial Torque: Inserted Terminal | 11 NM |

Constant Power Discharging Ratings - Watts Per Cell @ 20°C (68°F)

| End Point Volts/Cell | 5min | 10min | 15min | 30min | 45min | 60min | End Point Volts/Cell | 2hr | 3hr | 4hr | 5hr | 6hr | 8hr | 10hr | 20hr |
|----------------------|------|-------|-------|-------|-------|-------|----------------------|-----|------|------|------|------|------|------|------|
| 1.80 | 766 | 587 | 525 | 368 | 285 | 226 | 1.85 | 127 | 95.0 | 75.3 | 62.7 | 54.6 | 43.2 | 36.1 | 20.4 |
| 1.75 | 859 | 641 | 553 | 383 | 294 | 234 | 1.8 | 131 | 97.9 | 77.9 | 65.6 | 55.7 | 45.1 | 37.3 | 21.1 |
| 1.67 | 939 | 694 | 588 | 392 | 299 | 237 | 1.75 | 133 | 98.8 | 78.6 | 67.0 | 57.0 | 45.9 | 38.3 | 21.5 |

Constant Current Discharging Ratings - Ampere per Cell @ 20°C (68°F)

| End Point Volts/Cell | 5min | 10min | 15min | 30min | 45min | 60min | End Point Volts/Cell | 2hr | 3hr | 4hr | 5hr | 6hr | 8hr | 10hr | 20hr |
|----------------------|------|-------|-------|-------|-------|-------|----------------------|------|------|------|------|------|------|------|------|
| 1.80 | 442 | 333 | 283 | 195 | 147 | 118 | 1.85 | 67.0 | 48.1 | 38.2 | 31.5 | 28.2 | 22.0 | 18.4 | 10.0 |
| 1.75 | 504 | 366 | 309 | 201 | 153 | 123 | 1.8 | 69.4 | 51.0 | 40.4 | 33.6 | 29.8 | 22.7 | 19.0 | 10.3 |
| 1.67 | 581 | 407 | 334 | 204 | 155 | 124 | 1.75 | 70.8 | 52.3 | 41.6 | 34.2 | 30.9 | 23.5 | 19.3 | 10.5 |

Note: Batteries to be mounted with 0.5 in (1.25 cm) spacing minimum and free air ventilation.
Specifications subject to change without notification.

