



YLI ELECTRONIC

# Narrow-type Electric Strike with Signal

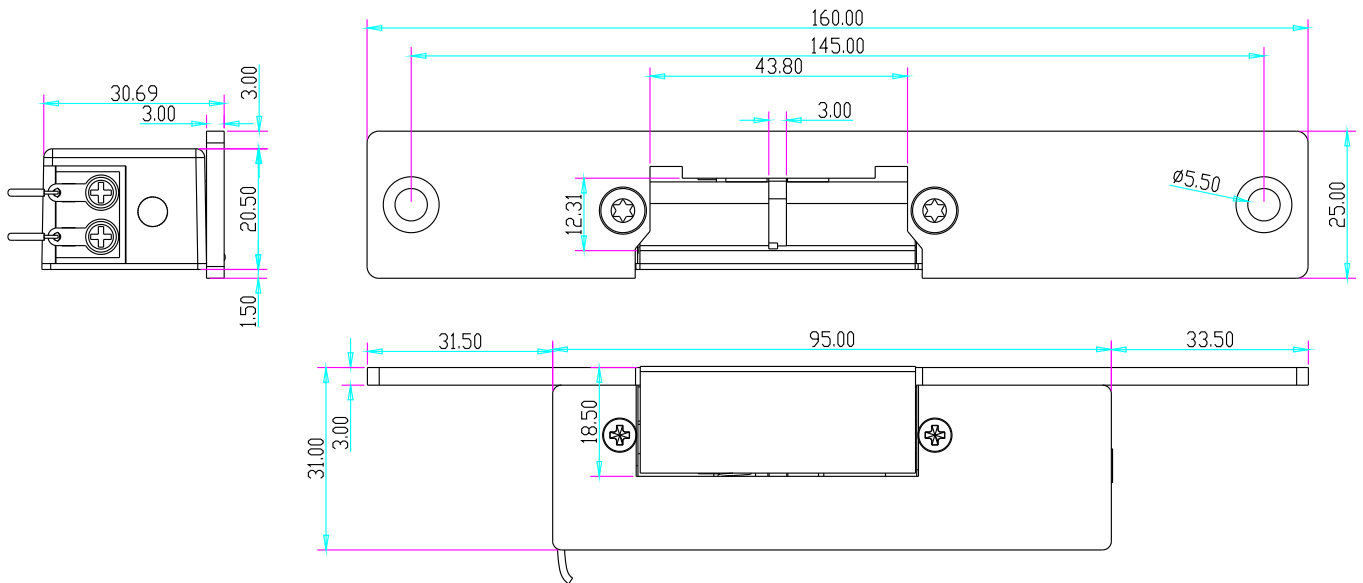


## Model:YS-131NO/NC-S

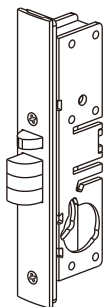
### Specification

<b>Size</b>	160Lx25Wx31H(mm)
<b>Voltage</b>	12VDC or 24VDC
<b>Current</b>	12V/240mA or 24V/120mA
<b>Feature</b>	Fail Secure(YS-131NO-S) or Fail Safe(YS-131NC-S)
<b>Signal Output</b>	Lock Status Output NO/NC/COM
<b>Suitable for</b>	Wooden Door, Metal Door
<b>Finishing</b>	Electroplating
<b>Weight</b>	0.4 kg

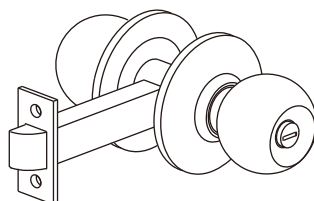
### Diagram(unit:mm)



### Options of Mechanical Lock

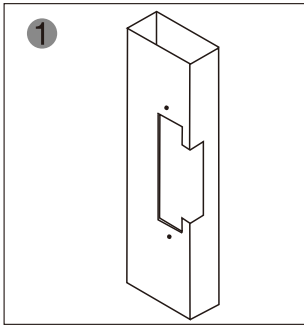


Mechanical Lock

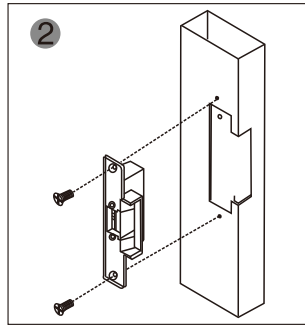


Knob lock

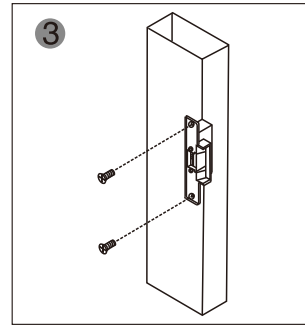
# Installation



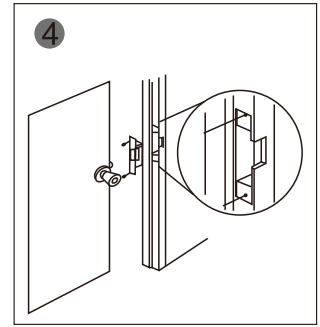
1 Cut hole according to the dimension of strike.



2 Assemble the lock and connect it to the power to test

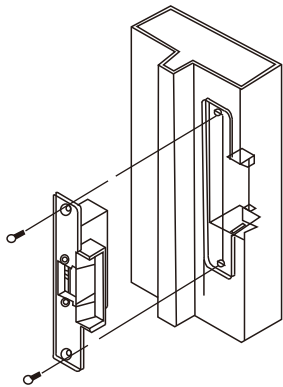


3 Fix the electric strike

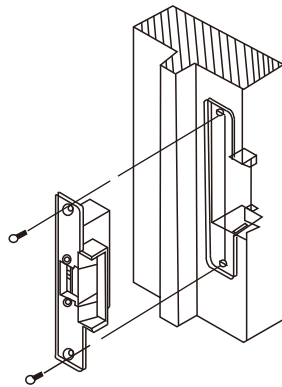


4 Finished

## Suitable for



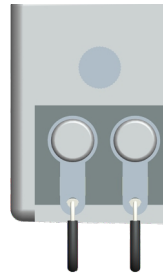
Metal Door Frame



Wooden Door Frame

## Signal Output

- Black — +
  - Black — -
  - Green — NO
  - White — COM
  - Yellow — NC
- } N.C. contact output : closed status  
 } Common terminal  
 } N.O. contact output : closed status



## Wire connection

