



DOSATRON®

WATER POWERED DOSING TECHNOLOGY

SCHEMATICS

Dosatron Liquid Dispenser **Model # D25RE2 – 11 GPM**

1:500 – 1:50

4.3 – 85 PSI

$\frac{3}{4}$ " NPT connection

Suggested Installation:

200 mesh/80 micron water filter prior to unit

One-way check valve downstream from unit for water hammer protection

Suggested Maintenance Interval:

Replace injection seals every 12 months

DOSATRON SALES & SERVICE - NORTH & CENTRAL AMERICA

Dosatron International, Inc.

Phone: 727-443-5404 Service: (800) 523-8499

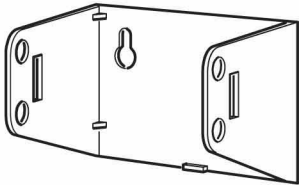
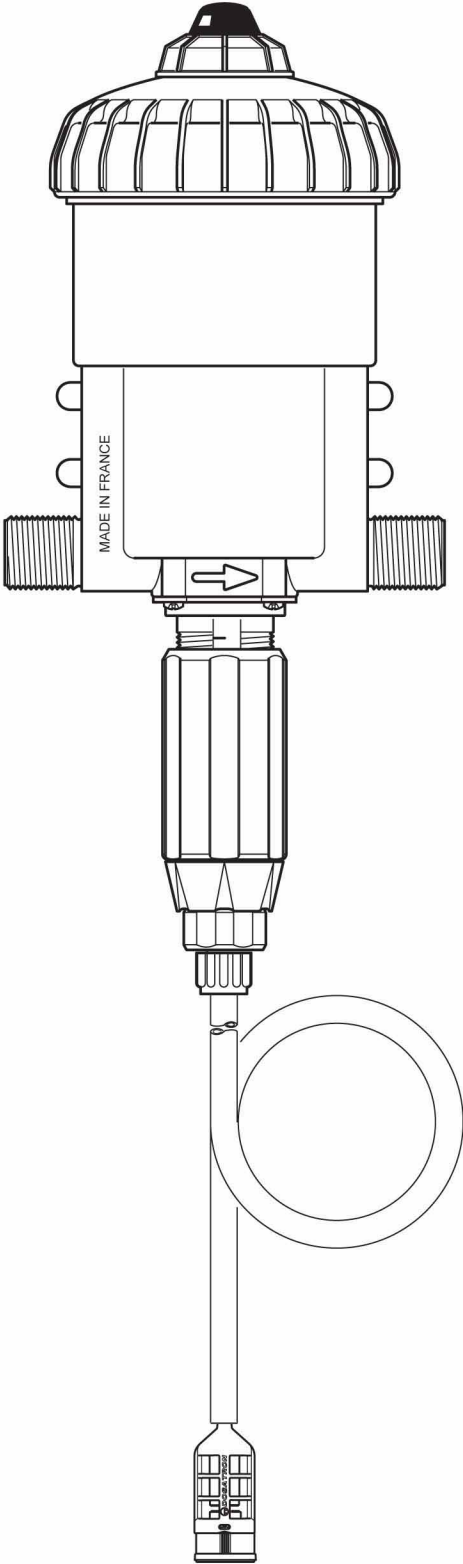
Fax: 727-447-0591

www.dosatronUSA.com

D25RE2

11/03

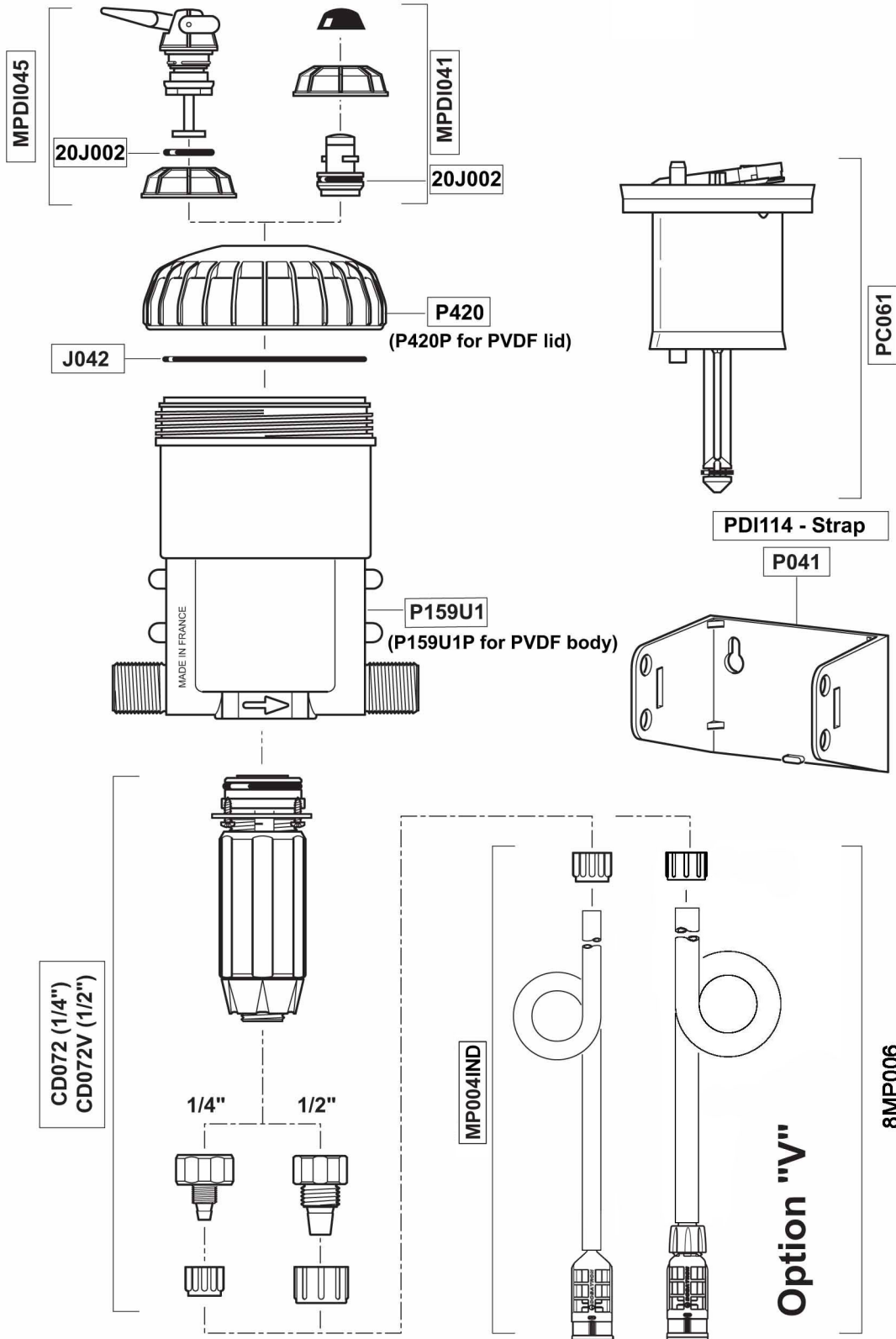
11 GPM - 1:500 - 1:50
4.3 - 85 psi



Injection Seal Kit Part #: PJ093

D25RE2
11/03

11 GPM - 1:500 - 1:50
4.3 - 85 psi

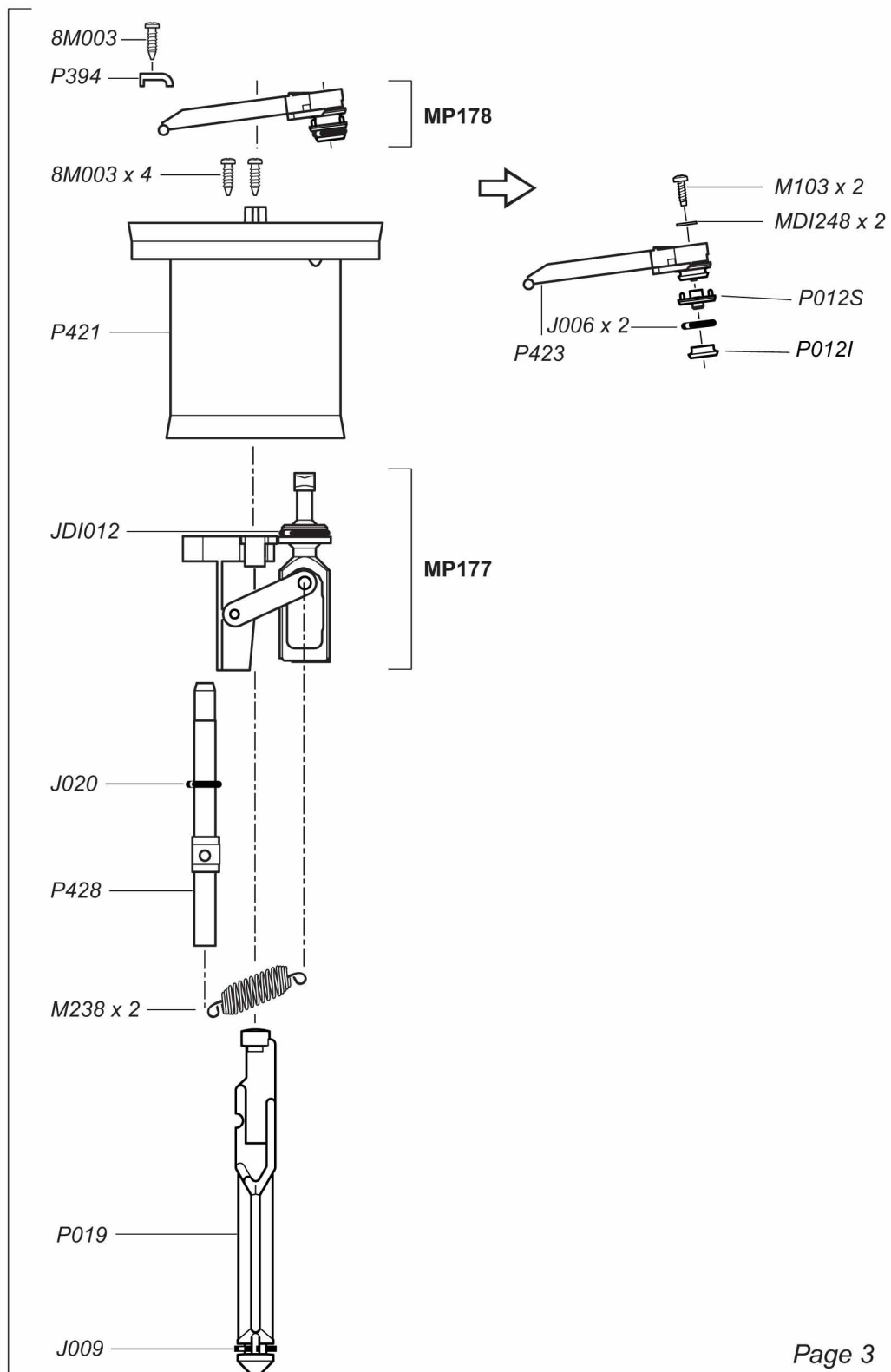


D25RE2

11/03

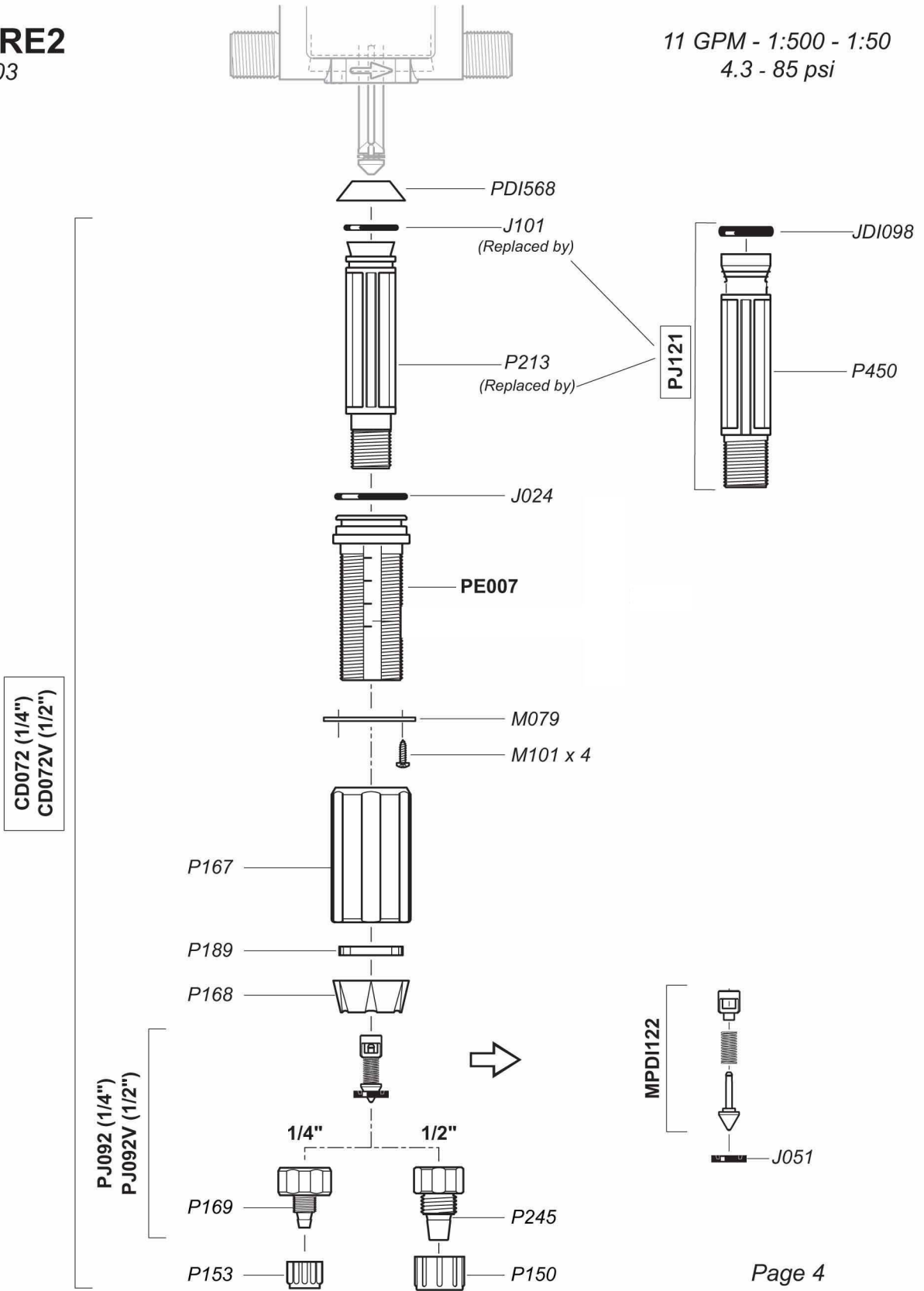
11 GPM - 1:500 - 1:50
4.3 - 85 psi

PC061



D25RE2
11/03

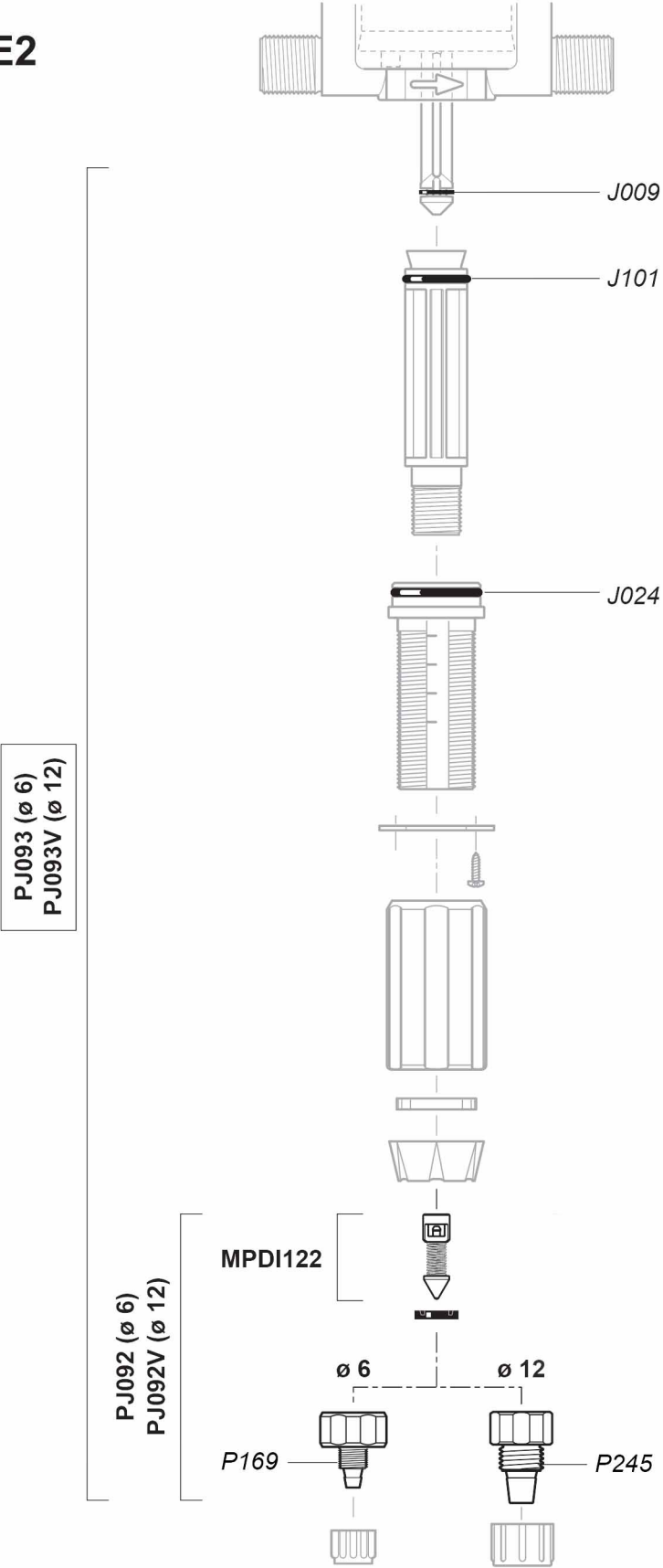
11 GPM - 1:500 - 1:50
4.3 - 85 psi



D25RE2

11/03

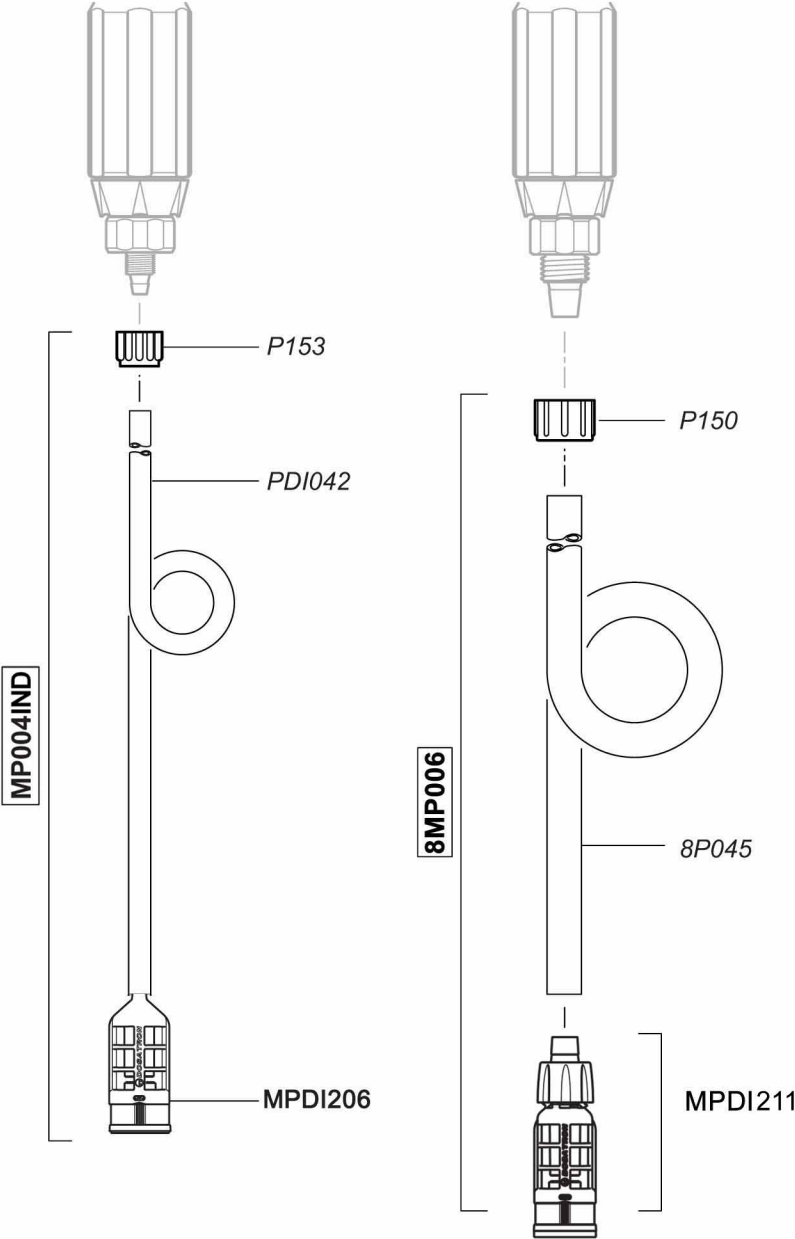
11 GPM - 1:500 - 1:50
4.3 - 85 psi



D25RE2

11/03

11 GPM - 1:500 - 1:50
4.3 - 85 psi



Option "V"