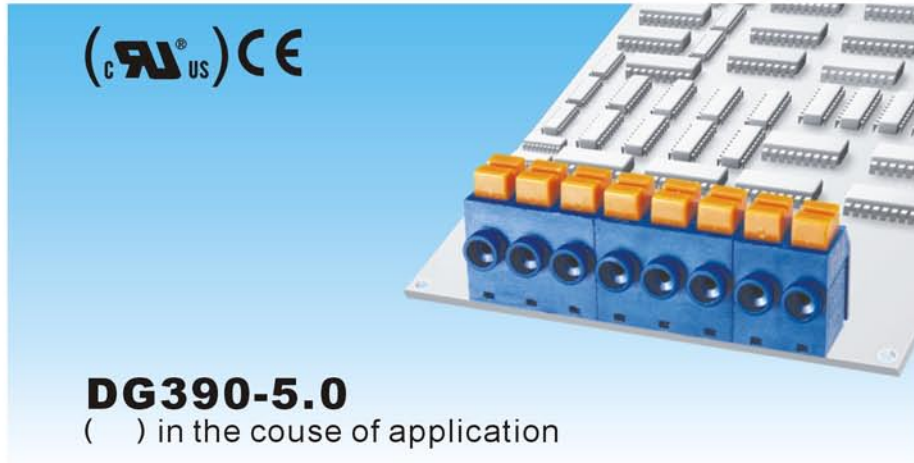


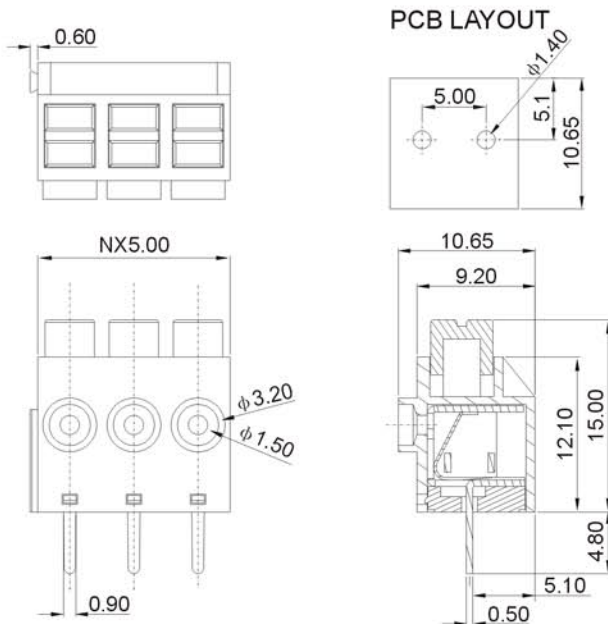


DEGSON ELECTRONICS CO., LTD.

Product Specification



Material	
Wire guard:	Stainless steel
Pin header:	Brass, Tin plated
Housing :	PBT, UL94V-0
Electrical	
Rated voltage :	300V
Rated current :	8A
Contact resistance :	20mΩ
Insulation resistance :	5000MΩ /DC1000V
Withstanding voltage:	AC2000V/1Min
Wire range :	22-18AWG 1.0mm ²
Mechanical	
Temp. Range :	-30°C~+120°C
Strip length :	7-7.5mm



HOW TO ORDER:

DG390-5.0 - **P** - -

X	X	X
---	---	---

 Customer Request

Color

1 Gray	4 Green	7 Trans-parent
2 Blue	5 Orange	8 Yellow
3 Black	6 Red	9 White

Series No. No of Pole Color

	DEGSON ELECTRONICS CO., LTD.
	NAME DG390-5.0