

# FALD/BP-1E

cylindrical photosensors

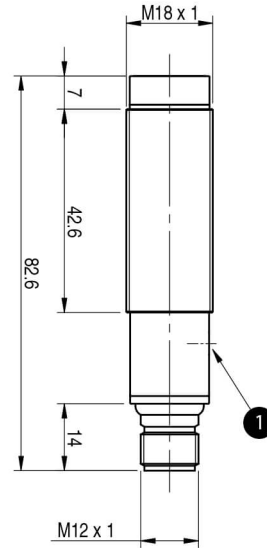


Micro Detectors

Italian Sensors Technology



Indicative image



1 Teach-in button



## Detection properties

Nominal sensing distance	50m
Thermal drift of Sr	≤10% Sr
Repeat Accuracy	5%
Sensitivity adjustment	Trimmer

## Application

Function Principle	Receiver
Emitter/Receiver	Receiver
Optic position	Axial

## Outputs

Output type	PNP
Output Function	NO+NC

Switching frequency 1kHz

## Electrical data

Operating Voltage	10...30Vdc
No-Load supply current	≤25mA
Load current	≤100mA
Leakage current	≤10μA
Output voltage drop	2V max. IL =100 mA
Max ripple content	10%
LED indicators	Yellow (output state)
Time delay before availability	≤200ms
Short-circuit protection	Short circuit (autoreset), Overvoltage
Reverse Polarity Protection	Polarity inversal, Impulsive voltage
Emission	Red laser diode (650nm) class1 (IEC60825-1)
Interference to external light	5000lux (incandescent lamp), 10000lux (sunlight)

## Mechanical data

Dimensions	M18 x 1 /L =82,6mm
Weight	100g
Housing Material	Nickel plated brass / PC plug
Connections	M12 plug
Active Head Material	Glass / PC
Tightening torque	25Nm
Operating temperature	- 15°C...+ 55° C (Without freeze)
Diameter/Dimension	M18

## Test/Approvals

Approvals	CE, cULus
EMC compatibility	EN 60947-5-2
Shocks and vibrations	Vibration IEC 60068-2-6 / Shock IEC 60068-2-27
Degree of protection	IP67

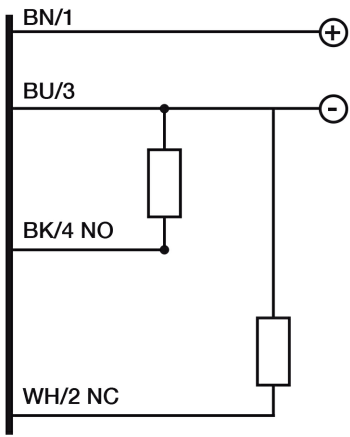
## Accessories

Supplied Accessories nuts M18 x 1, screwdriver

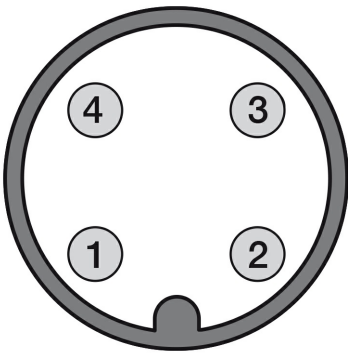
---

# ELECTRICAL DIAGRAMS OF THE CONNECTIONS

---

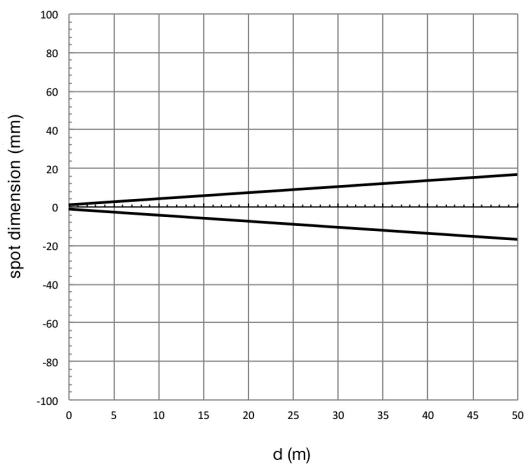


## CONNECTOR

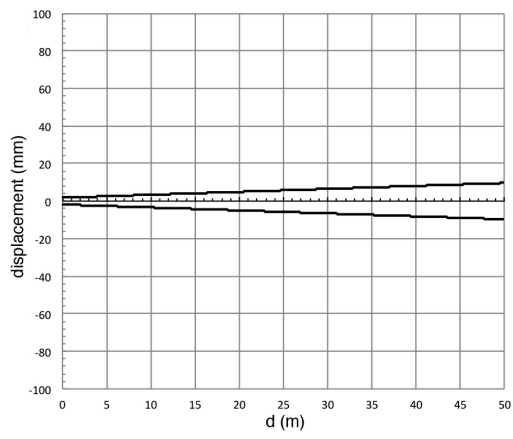


## RESPONSE CURVES

### Dimensione Spot



### Disassamento Parallelo



---

**M.D.Micro Detectors S.p.A.**

Strada S.Caterina, 235

41122 Modena (MO)

Tel. 059 420411

Fax 059 253973

E-mail [info@microdetectors.com](mailto:info@microdetectors.com)

**date of printing**

17/09/2021 11:54:01