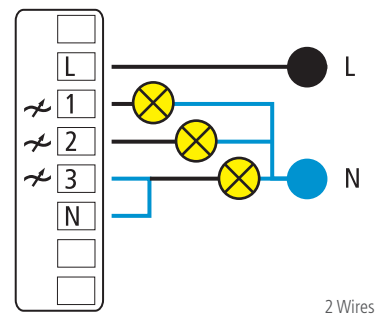
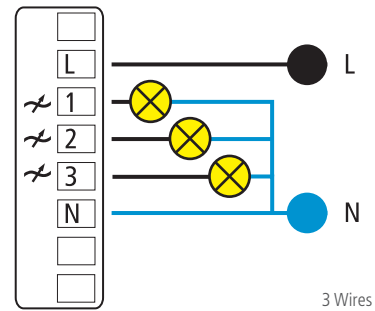


Vitrum III EU Dimmer Classic

cod. 01E030040



FUNCTIONAL SPECIFICATION

- Three-button light switch
- Touch control with capacitive technology and concave surface for tactile Feedback
- Acoustic feedback signal
- Crown backlit by low-consumption LEDs

COMMAND MODE

- 3 capacitive button with "On-Off" control
- Dimming touch:
- Single short pressure for "On-Off"
- Keeping pressure: light increase from 0 to 100%

MECHANICAL CHARACTERISTICS

- Fitting Box 503 (wall or plasterboard)
- Dimension 126x95mm
- Depth at sight 8 mm
- Operating temperature: 0-40°C
- Button Diameter 16 mm
- Light ring diameter 20 mm
- Weight: 220 g.

ELECTRICAL CHARACTERISTICS

- Power: 230V ac
- Energy consumption: < 1W
- Configurazione a 2 Wires se Output " >40 VA ", a 3 wires se Output " <40 VA "
- Output power per channel > 20 VA e < 100VA (Max 300VA totali)
- Control of following lamp:
 - incandenscent
 - halogenal
 - fluorescent dimmable (DULUX EL Osram e Philips)
- Universal power control: (trailing / leading edge mode)
- Protection for overload and short circuit
- Power Mosfet Technology

Compliant with:

B.T.: 2006/95/CE

E.M.C.: 2004/108/CE