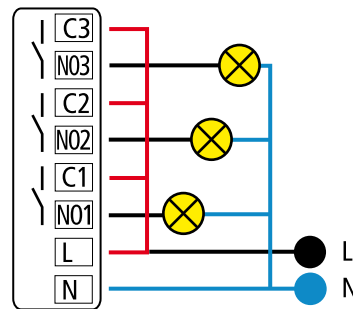


## Vitrum III EU On/Off Classic

cod. 01E030050



### FUNCTIONAL SPECIFICATION

- Three-button light switch
- Touch control with capacitive technology and concave surface for tactile Feedback
- Acoustic feedback signal
- Crown backlit by low-consumption LEDs

### COMMAND MODE

- 3 capacitive button with "On-Off" control

### MECHANICAL CHARACTERISTICS

- Fitting Box 503 (wall or plasterboard)
- Dimension 126x95mm
- Depth at sight 8 mm
- Operating temperature: 0-40°C
- Button Diameter 16 mm
- Light ring diameter 20 mm
- Weight: 230 g.

### ELECTRICAL CHARACTERISTICS

- Power: 230V
- Energy consumption: < 1W
- Configuration: 3 wires
- Relays 16 A (P.F.=1)
- Output power per channel < 2400 VA
- Control of following lamp:
  - incandenscent
  - halogen
- For loads, < 1500 VA for the control of:
  - Electronic or Electromechanical transformer
  - Fluorescent Linear Tubes

Compliant with:

**B.T.:** 2006/95/CE  
**E.M.C.:** 2004/108/CE