

FQRL/BP-2A

cylindrical photosensors

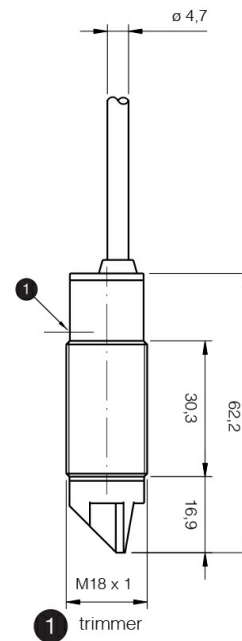


Micro Detectors

Italian Sensors Technology



Indicative image



Detection properties

Nominal sensing distance 0,1...1,5m with RL113G or RL116 reflector

Thermal drift of Sr $\leq 10\%$ Sr

Repeat Accuracy 5%

Sensitivity adjustment Trimmer

Application

Function Principle Transparent object

Optic position 90°

Outputs

Output type PNP

Output Function NO+NC

Switching frequency 250Hz

Electrical data

| | |
|--------------------------------|--|
| Operating Voltage | 10...30Vdc |
| No-Load supply current | ≤30mA |
| Load current | ≤50mA |
| Leakage current | ≤10μA |
| Output voltage drop | 2V max. IL =50 mA |
| Max ripple content | 10% |
| LED indicators | Yellow (Lon) or output status Lo/Do |
| Time delay before availability | ≤200ms |
| Short-circuit protection | Short circuit (autoreset), Overvoltage |
| Reverse Polarity Protection | Polarity inversal, Impulsive voltage |
| Emission | Red (660 nm) |
| Interference to external light | 5000lux (incandescent lamp), 10000lux (sunlight) |

Mechanical data

| | |
|-----------------------|-----------------------------------|
| Dimensions | M18 x 1/L=62,2mm |
| Weight | 50g |
| Housing Material | PBT |
| Connections | 2m PVC cable |
| Active Head Material | PC |
| Tightening torque | 1Nm |
| Operating temperature | - 25°C...+ 70° C (Without freeze) |
| Diameter/Dimension | M18 |

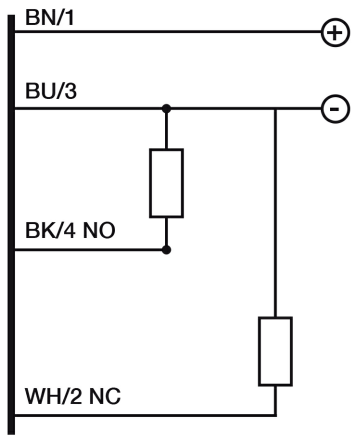
Test/Approvals

| | |
|-----------------------|--|
| Approvals | CE, |
| EMC compatibility | EN 60947-5-2 |
| Shocks and vibrations | Vibration IEC 60068-2-6 / Shock IEC 60068-2-27 |
| Degree of protection | IP67 |

Accessories

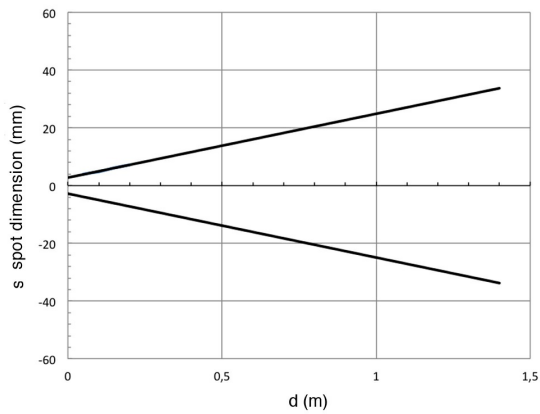
| | |
|----------------------|---------------------------|
| Supplied Accessories | nuts M18 x 1, screwdriver |
|----------------------|---------------------------|

ELECTRICAL DIAGRAMS OF THE CONNECTIONS

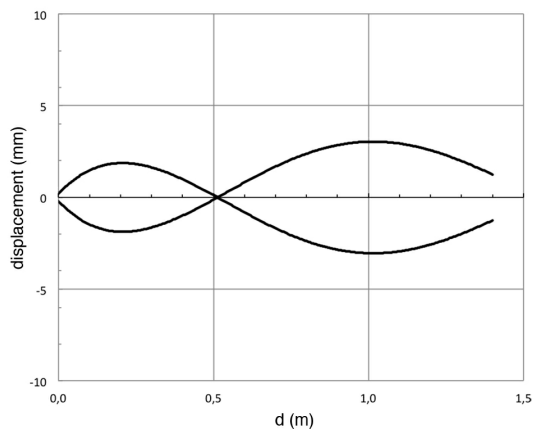


RESPONSE CURVES

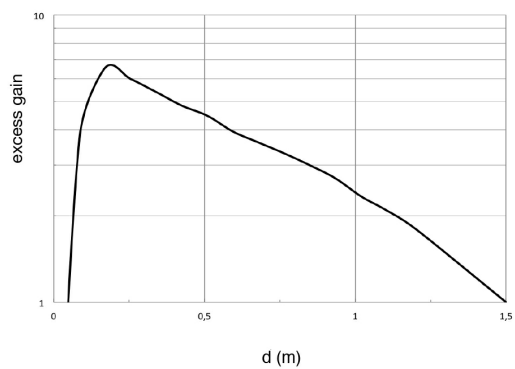
Dimensione Spot



Disassamento Parallelo



Eccesso di Guadagno



M.D. Micro Detectors S.p.A.

Strada S. Caterina, 235

41122 Modena (MO)

Tel. 059 420411

Fax 059 253973

E-mail info@microdetectors.com

date of printing

16/09/2021 12:15:05