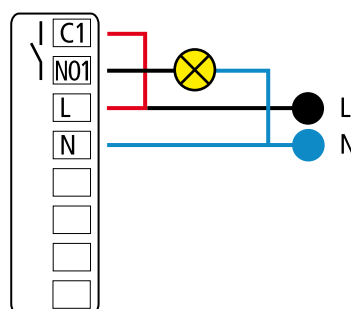


Vitrum I EU On/Off Classic

cod. 01E010050



certified product  

FUNCTIONAL SPECIFICATION

- One-button light switch
- Touch control with capacitive technology and concave surface for tactile Feedback
- Acoustic feedback signal
- Crown backlit by low-consumption LEDs

COMMAND MODE

- One capacitive button with "On-Off" control

MECHANICAL CHARACTERISTICS

- Fitting Box 503 (wall or plasterboard)
- Dimension 126x95mm
- Depth at sight 8 mm
- Operating temperature: 0-40°C
- Button Diameter 38 mm
- Light ring diameter 42 mm
- Weight: 210 g.

ELECTRICAL CHARACTERISTICS

- Power: 230V ac
- Energy consumption: < 1W
- Configuration: 3 wires
- Relays 16 A (P.F.=1)
- Output power per channel < 2400 VA
- Control of following lamp:
 - incandenscent
 - halogen
- For loads, " < 1500 VA " for the control of:
 - Electronic or Electromechanical transformer
 - Fluorescent Linear Tubes

Compliant with:

B.T.: 2006/95/CE
E.M.C.: 2004/108/CE