

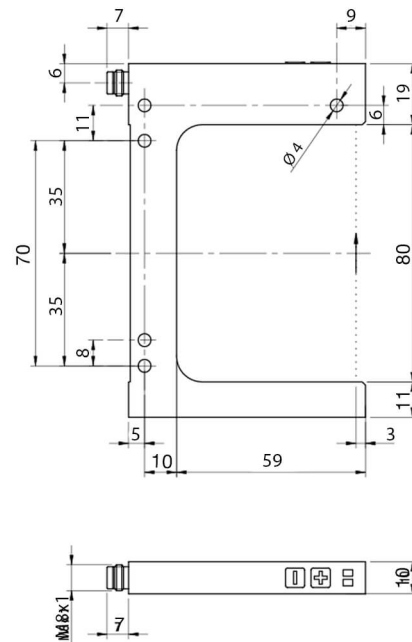
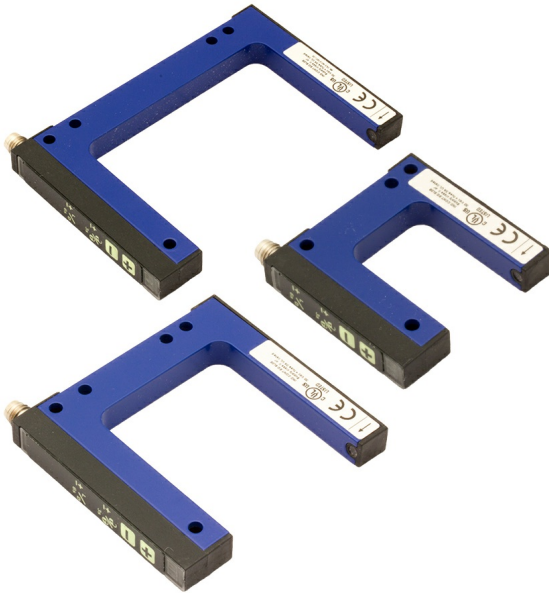
# FC6I/0B-0806-1F

fork sensors



Micro Detectors

Italian Sensors Technology



Indicative image



## Detection properties

|                           |       |
|---------------------------|-------|
| Nominal sensing distance  | 80mm  |
| minimum detectable object | 0.2mm |
| Sensitivity adjustment    | Yes   |

## Outputs

|                     |           |
|---------------------|-----------|
| Output type         | NPN + PNP |
| Output Function     | LO/DO     |
| Switching frequency | 10kHz     |

## Electrical data

|                        |            |
|------------------------|------------|
| Operating Voltage      | 12...24Vdc |
| No-Load supply current | 40mA       |
| Load current           | 100mA      |

|                                |                                                  |
|--------------------------------|--------------------------------------------------|
| Output voltage drop            | ≤ 2V @ IL =100 mA                                |
| Max ripple content             | ≤ 10%                                            |
| Short-circuit protection       | Yes                                              |
| Reverse Polarity Protection    | Yes                                              |
| Emission                       | Infrared LED, modulated                          |
| Interference to external light | 5000lux (incandescent lamp), 10000lux (sunlight) |

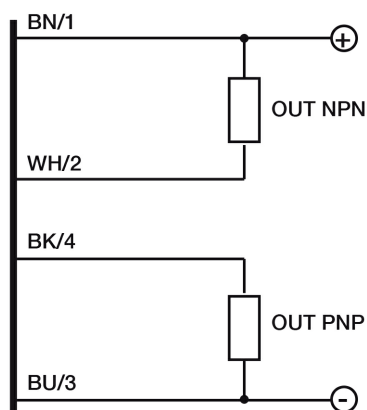
## Mechanical data

|                       |                                                       |
|-----------------------|-------------------------------------------------------|
| Dimensions            | Width slot detection 80mm - Depth slot detection 59mm |
| Weight                | 90g                                                   |
| Housing Material      | Painted aluminium                                     |
| Connections           | M8 plug 4 pin                                         |
| Active Head Material  | Polyamide/glass                                       |
| Operating temperature | - 20°C...+ 60°C                                       |
| Storage temperature   | - 30°C...+ 80°C                                       |
| Width slot detection  | 80mm                                                  |
| Depth slot detection  | 59mm                                                  |

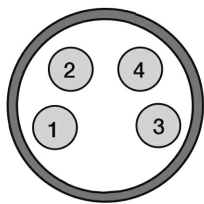
## Test/Approvals

|                      |              |
|----------------------|--------------|
| Approvals            | CE UL        |
| EMC compatibility    | EN 60947-5-2 |
| Degree of protection | IP65         |

# ELECTRICAL DIAGRAMS OF THE CONNECTIONS



# CONNECTOR



---

---

**M.D. Micro Detectors S.p.A.**

Strada S. Caterina, 235

41122 Modena (MO)

Tel. 059 420411

Fax 059 253973

E-mail [info@microdetectors.com](mailto:info@microdetectors.com)

**date of printing**

13/09/2021 09:46:27