

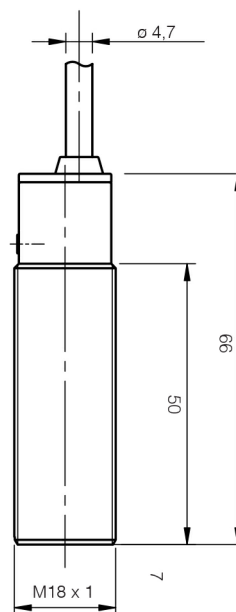
# FBLN/BP-1A

cylindrical photosensors



Micro Detectors

Italian Sensors Technology



## Detection properties

Nominal sensing distance 20m con RL110 ; 30m con RL201 , 5m con RL100D

Thermal drift of Sr  $\leq 10\%$  Sr

Repeat Accuracy 5%

Sensitivity adjustment Teach-in

## Application

Function Principle Polarizzata

Optic position Assiale

## Outputs

Output type PNP

Output Function NO+NC

Switching frequency 800Hz

## Electrical data

Operating Voltage 10...30Vdc

No-Load supply current	≤30mA
Load current	≤100mA
Leakage current	≤10μA
Output voltage drop	2V max. IL =100 mA
Max ripple content	10%
LED indicators	Verde alimentazione/giallo(LightON EG≥2)/lampeggiante (LightON 1
Time delay before availability	≤200ms
Short-circuit protection	Cortocircuito (autoripristinante), sovratensioni
Reverse Polarity Protection	Inversione della polarità, sovratensione impulsiva
Emission	Diodo laser rosso (650nm) classe1 (IEC60825-1)
Interference to external light	3000lux (lampada ad incandescenza), 10000lux (luce solare)

## Mechanical data

Dimensions	M18 x 1/L=66 mm
Weight	110g
Housing Material	Nickel plated brass / PA12 cable exit
Connections	2m PVC cable
Active Head Material	Vetro
Tightening torque	25Nm
Operating temperature	- 15°C...+ 55° C (conout freeze)
Diameter/Dimension	M18

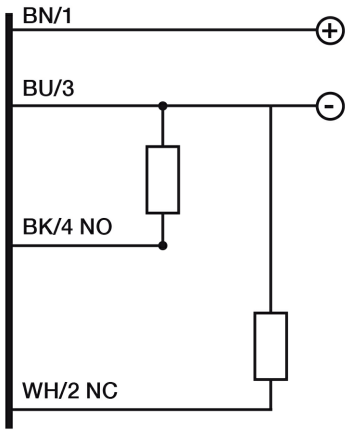
## Test/Approvals

Approvals	CE, cULus
EMC compatibility	EN 60947-5-2
Shocks and vibrations	Vibrazioni IEC 60068-2-6 / Shock IEC 60068-2-27
Degree of protection	IP67

## Accessories

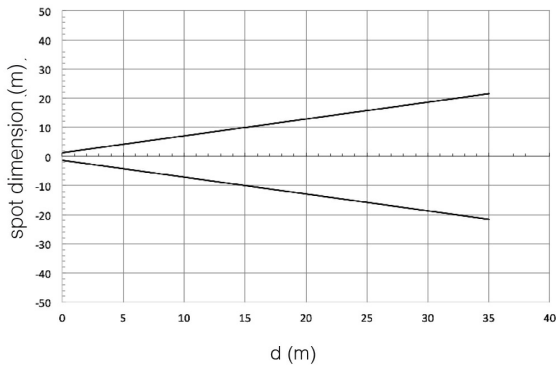
Supplied Accessories ghiere M18 x 1, cacciavite

# ELECTRICAL DIAGRAMS OF THE CONNECTIONS

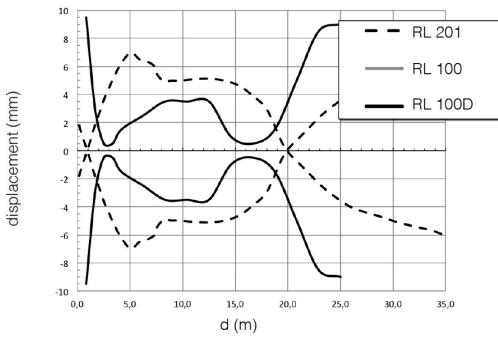


# RESPONSE CURVES

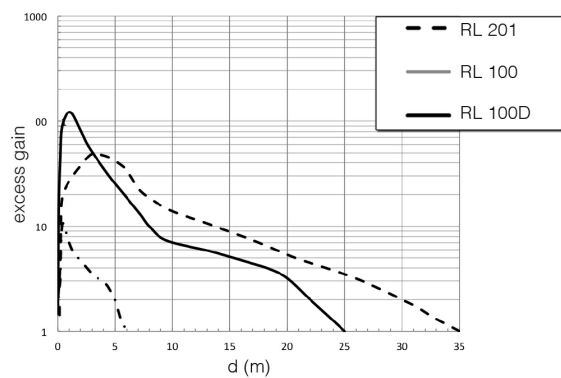
## Dimensione Spot



## Disassamento Parallelo



## Eccesso di Guadagno



---

**M.D.Micro Detectors S.p.A.**

Strada S.Caterina, 235

41122 Modena (MO)

Tel. 059 420411

Fax 059 253973

E-mail [info@microdetectors.com](mailto:info@microdetectors.com)

**date of printing**

10/09/2021 13:24:37