

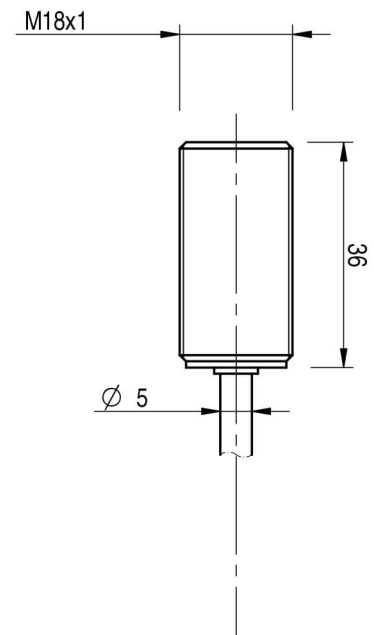
# AK6/D2-5A

cylindrical inductive



Micro Detectors

Italian Sensors Technology



## Detection properties

Operating distance	0...10mm
Standard target	30x30mm FE360
Thermal drift of Sr	≤ 10%
Repeat Accuracy	0,3mm (UB 20...30Vcc/Vdc Ta=23°C ±5°C)
Resolution	≤2μm

## Outputs

Output type	0-10V + 4-20mA
Output Function	Analogue

## Electrical data

Operating Voltage	10...30Vdc
No-Load supply current	≤ 12mA
Load current	≤ 10mA

	0V - 0 ± 0,4V (23°C) +5,2V ± 0,4V (23°C) +10V ± 0,4V (23°C)
	500Hz
	4mA ± 0, ≤ 8mA (23°C) 20mA ± 0, ≤ 8mA (23°C)
	500Ω (UB = 15V) / 1kΩ (UB = 30V)
Max ripple content	≤20%
Time delay before availability	≤ 50ms
Short-circuit protection	Yes
Reverse Polarity Protection	Yes
Max output current	4mA ± 0, ≤ 8mA (23°C) 20mA ± 0, ≤ 8mA (23°C)
Maximum capacitance load	500Ω (UB = 15V) / 1kΩ (UB = 30V)
Output voltage	0V - 0 ± 0,4V (23°C) +5,2V ± 0,4V (23°C) +10V ± 0,4V (23°C)

## Mechanical data

Mounting	Partially Shielded
Dimensions	M18 x 1 / L = 36mm
Weight	116g
Housing Material	Nickel-plated brass
Connections	2m PVC Cable
Active Head Material	PBT
Tightening torque	25Nm
Operating temperature	-25°C...+70°C
Diameter/Dimension	M18

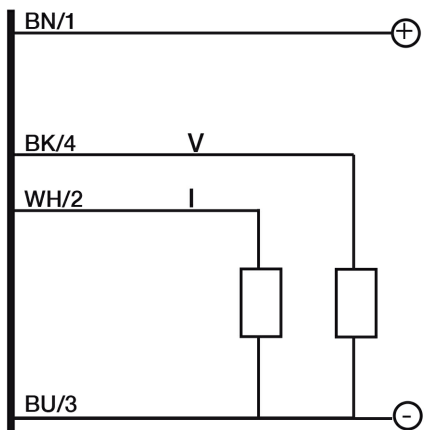
## Test/Approvals

Approvals	CE
EMC compatibility	IEC 60947-5-2
Shocks and vibrations	Vibration IEC 60068-2-6 / Shock IEC 60068-2-27
Degree of protection	IP67

## Accessories

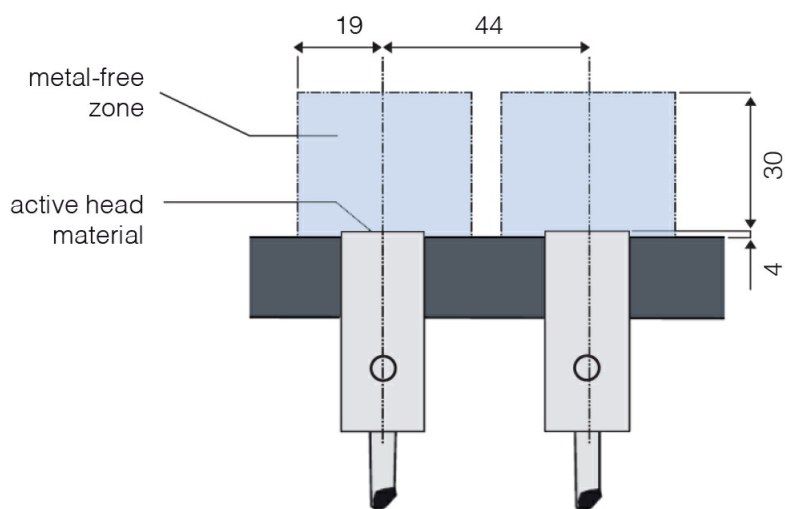
Supplied Accessories	2 nuts M18x1
----------------------	--------------

# ELECTRICAL DIAGRAMS OF THE CONNECTIONS



# INSTALLATION

---



## M.D.Micro Detectors S.p.A.

Strada S.Caterina, 235  
 41122 Modena (MO)  
 Tel. 059 420411  
 Fax 059 253973  
 E-mail [info@microdetectors.com](mailto:info@microdetectors.com)

## date of printing

09/09/2021 08:29:23