

VT2/A0-2B

cylindrical inductive

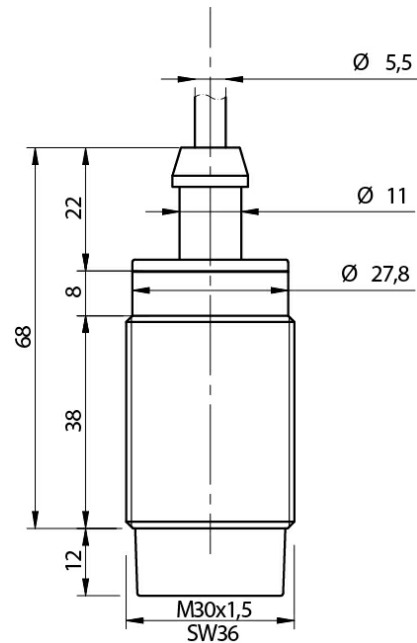


Micro Detectors

Italian Sensors Technology



Indicative image



Detection properties

| | |
|--------------------------|---------------------------------------------------------------------|
| Nominal sensing distance | 15mm |
| Operanting distance | 0...12,1mm |
| Standard target | 45x45mm FE360 |
| Correction Factor | copper: 0,45/ aluminium: 0,50 / brass: 0,60 / stainless steel: 0,80 |
| Thermal drift of Sr | < 10% |
| Repeat Accuracy | 5% (UB 24V Ta=23°C ±5°C) |
| Hysteresis | 1 ... 20% |

Outputs

| | |
|---------------------|-------|
| Output type | TRIAC |
| Output Function | NO |
| Switching frequency | 25Hz |

Electrical data

| | |
|--------------------------------|-------------------------|
| Operating Voltage | 20...250Vac/50-60Hz |
| Load current | 5...300mA |
| Leakage current | ≤ 1mA RMS max |
| Output voltage drop | See curves |
| Max ripple content | ≤10% |
| LED indicators | Yellow LED output state |
| Time delay before availability | ≤ 200ms |
| Inrush current | 7A (Ton = 10ms) |

Mechanical data

| | |
|-----------------------|------------------------|
| Mounting | Unshielded |
| Dimensions | M30 x 1,5 / L = 80mm |
| Weight | 100g |
| Housing Material | Nickel-plated brass |
| Connections | 2m PVC cable with tang |
| Active Head Material | PBT |
| Tightening torque | 50Nm |
| Operating temperature | -25°C...+70°C |
| Diameter/Dimension | M30 |

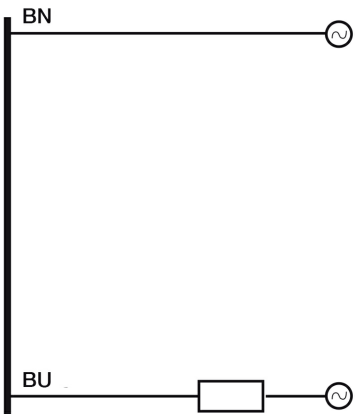
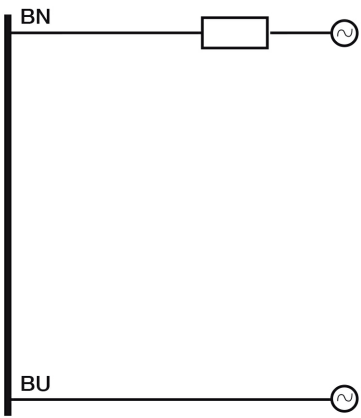
Test/Approvals

| | |
|-----------------------|------------------------------------------------|
| Approvals | CE UR |
| EMC compatibility | IEC 60947-5-2 |
| Shocks and vibrations | Vibration IEC 60068-2-6 / Shock IEC 60068-2-27 |
| Degree of protection | IP67 |

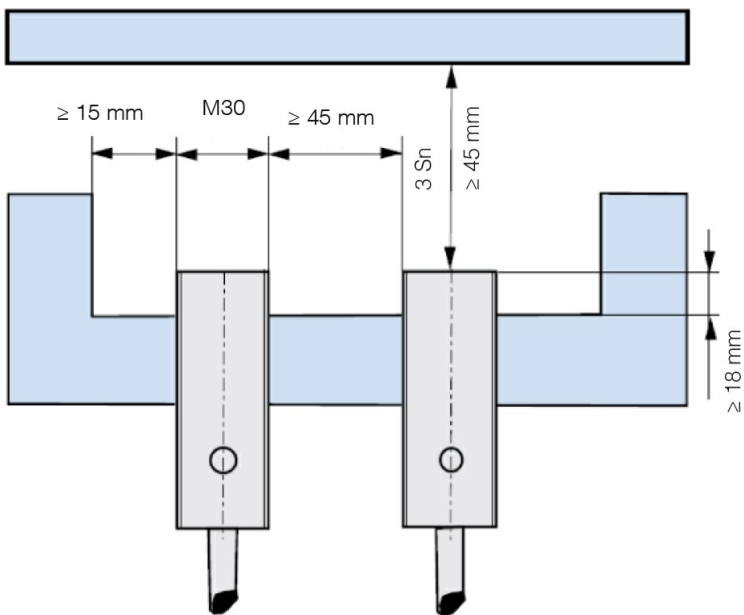
Accessories

| | |
|----------------------|----------------|
| Supplied Accessories | 2 nuts M30x1,5 |
|----------------------|----------------|

ELECTRICAL DIAGRAMS OF THE CONNECTIONS

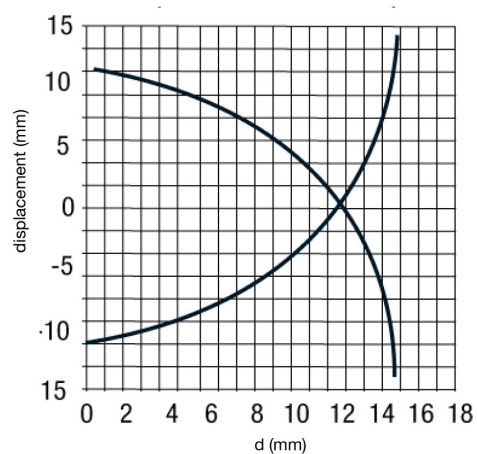


INSTALLATION



RESPONSE CURVES

Disassamento Parallelo



M.D. Micro Detectors S.p.A.

Strada S. Caterina, 235
41122 Modena (MO)
Tel. 059 420411
Fax 059 253973
E-mail info@microdetectors.com

date of printing

08/09/2021 16:48:12