

# UK6A/HP-0EUL

cylindrical ultrasonic

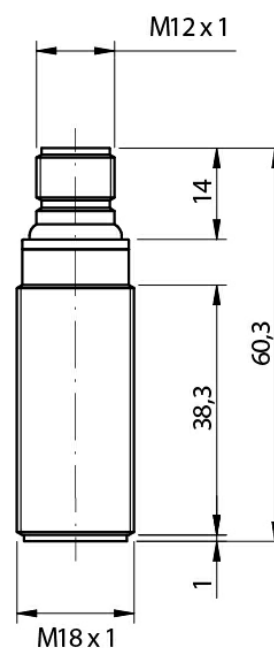


Micro Detectors

Italian Sensors Technology



Indicative image



## Detection properties

Nominal sensing distance	300mm
Thermal drift of Sr	≤2%
Repeat Accuracy	0,50%
Beam angle	7° ± 2°
Resolution	≤2mm
Sensitivity adjustment	Teach-in button
Hysteresis	1%
thermal compensation	Yes
Minimum sensing distance (blind zone)	40mm
Linearity error	1%

## Application

## Outputs

Output type	PNP
Output Function	NO/NC
Switching frequency	8Hz
Response time	400ms

## Electrical data

Operating Voltage	10 - 30Vdc
No-Load supply current	≤35mA @Val = 30V
Load current	100mA
Leakage current	10µA @ 30Vcc
Output voltage drop	2,2Vmax. @ IL=100 mA
Max ripple content	5%
LED indicators	green: echo - yellow: output
Time delay before availability	≤300ms
Short-circuit protection	Yes
Reverse Polarity Protection	Yes
Impulsive Overvoltage Protection	Yes

## Mechanical data

Dimensions	M18 x 1 / L = 60,3mm
Weight	65g
Housing Material	PBT housing
Connections	M12 Plug
Tightening torque	1Nm
Operating temperature	- 20°C...+ 70°C
Storage temperature	- 35°C...+ 80° C without freeze
Transducer Frequency	300kHz
Diameter/Dimension	M18

## Test/Approvals

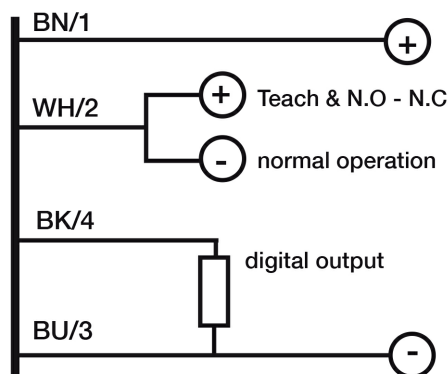
Approvals	CE cULus
EMC compatibility	IEC 60947-5-2
Shocks and vibrations	IEC EN60947-5-2 / 7.4
Degree of protection	IP67

## Accessories

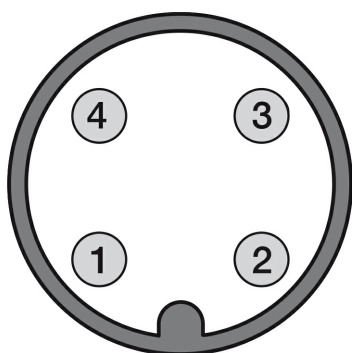
Supplied Accessories

2 nuts M18x1, 2 washers Ø 18

# ELECTRICAL DIAGRAMS OF THE CONNECTIONS



## CONNECTOR



## RESPONSE CURVES

### Disassamento Parallelo

**M.D.Micro Detectors S.p.A.**

Strada S.Caterina, 235  
41122 Modena (MO)

Tel. 059 420411

Fax 059 253973

E-mail [info@microdetectors.com](mailto:info@microdetectors.com)

**date of printing**

02/09/2021 13:03:13

